

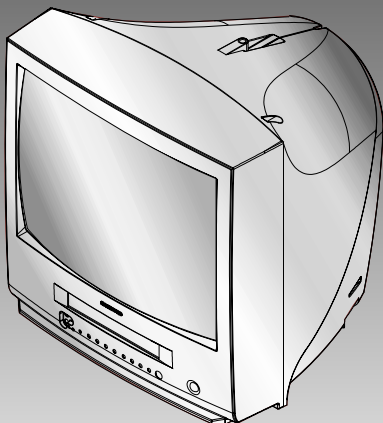
**SAMSUNG**

## Television Video Cassette Recorder

Chassis : C17A (TS-10)  
Model : TI21B4DF4X/XEU  
TW14N54X/BWT  
TW14N64X/BWT  
TW21B4D4X/BWT  
TX14P1DF4X/XEC

# **SERVICE** *Manual*

### Television Video Cassette Recorder



### CONTENTS

1. Precautions
2. Specifications
3. Disassembly and Reassembly
4. Alignment and Adjustment
5. Troubleshooting
6. Exploded View and Parts List
7. Electrical Parts List
8. Block Diagram
9. Wiring Diagram
10. Schematic Diagrams

## 2. Specifications

The descriptions and characteristics given in this booklet are given for information purposes only and are subject to modification without notice.

<b>TELEVISION PART</b>	
Colour systems	PAL(option) / SECAM(option) (UK;PAL)
TV standards	L/L'(option), B/G(option), D/K(option) (UK;l)
Number of channels	100 programmes
Reception range/cable TV	Hyperband/interband tuner
Aerial input	75 Ohms, coaxial cable
<b>VCR PART</b>	
Format	VHS standard (PAL / SECAM(option) / MESECAM(option) / NTSC in playback only)
Heads	Video: 2 rotary heads, LP(option), 4 Heads(option) Audio/Control: 1 stationary head (linear) Erase: 1 full track erase head
Luminance	System Video Normal CCIR
Colour	System Audio Mono / NICAM&A2-STEREO
FF/REW time	FM azimuth recording
Wow and flutter (WTD)	Down converted subcarrier phase shifted direct recording
Frequency response	Less than 100 seconds in FF with E-120 0.4% maximum (SP) 100 Hz - 8 KHz
<b>GENERAL</b>	
Power supply	220-240V~, 50Hz (110-260V~, 50/60Hz; option),(160-300V~50/60Hz;Russia)
Consumption	14"15" (50W) 20"/21" (60W)
Audio output power	14"15" (2W) 20" (2W) 21" (1.0Watts x 2)
Number of loudspeakers	14"/15"/20" (1) 21" (2)
Tube size	14" (37cm/34cmV) 15" (39cm/36cmV) 20" (51cm/48cmV) 21" (55cm/51cmV)
Tube type	BLACK MATRIX
Sockets	1 full RGB SCART on the rear 1 RCA input (audio and video) on the front Earphones output (3.5 mm mini-jack) 1 aerial/cable TV coaxial input
Dimensions (W x D x H)	14" (368 x 390 x 381) 15" (411 x 401 x 417) 20" (486 x 473 x 485) 21" (520 x 495 x 508)
Weight	14" (11.1 kg) 15" (14.8 kg) 20" (19 kg) 21" (23.4 kg)
Operating temperature	5°C - 40°C (41°F - 104°F)
Relative humidity	10% - 75%

---

## 3. Disassembly and Reassembly

---

### 3-1 Deck Parts Locations

---

#### 3-1-1 Top View

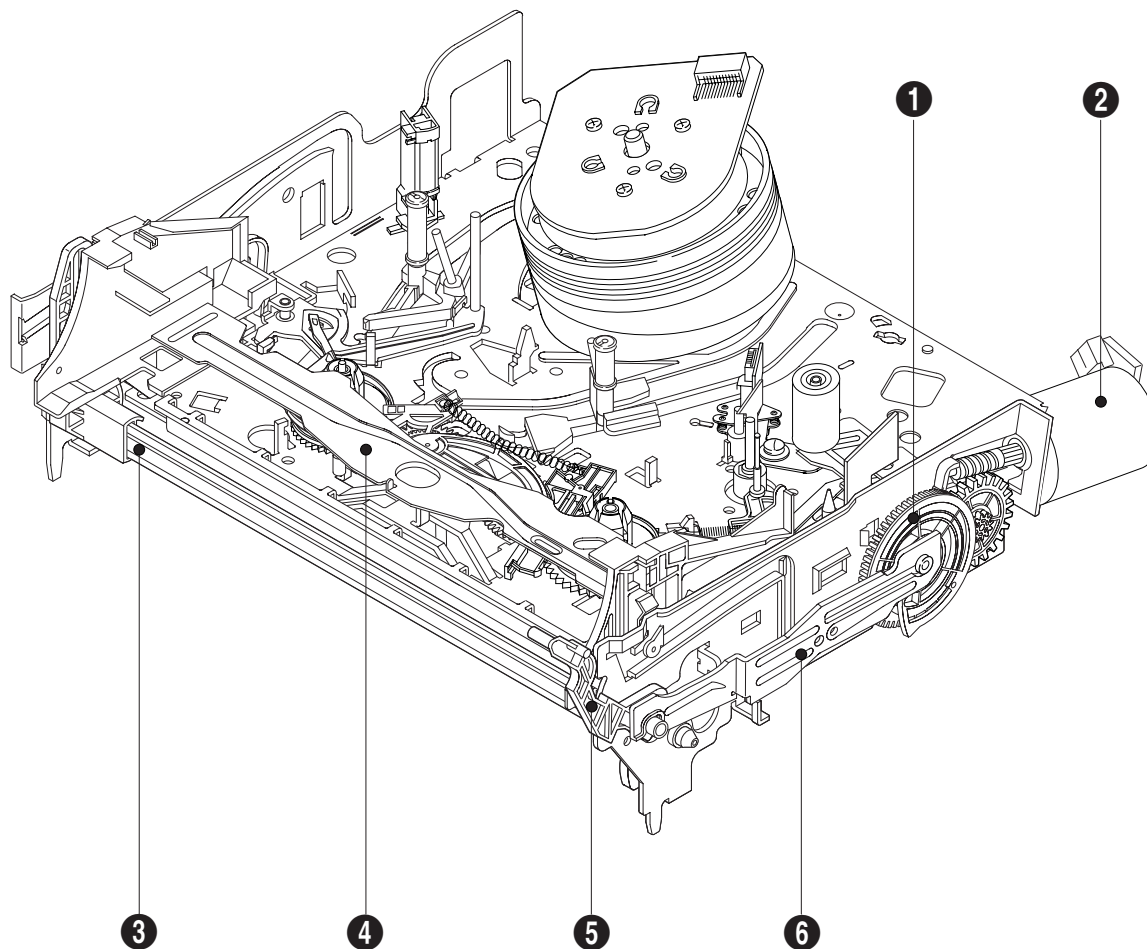


Fig. 3-1 Top parts Location-1

- ❶ GEAR FL CAM
- ❷ MOTOR LOADING ASS'Y
- ❸ LEVER FL ARM ASS'Y
- ❹ HOLDER FL CASSETTE ASS'Y
- ❺ LEVER FL DOOR
- ❻ SLIDER FL DRIVE

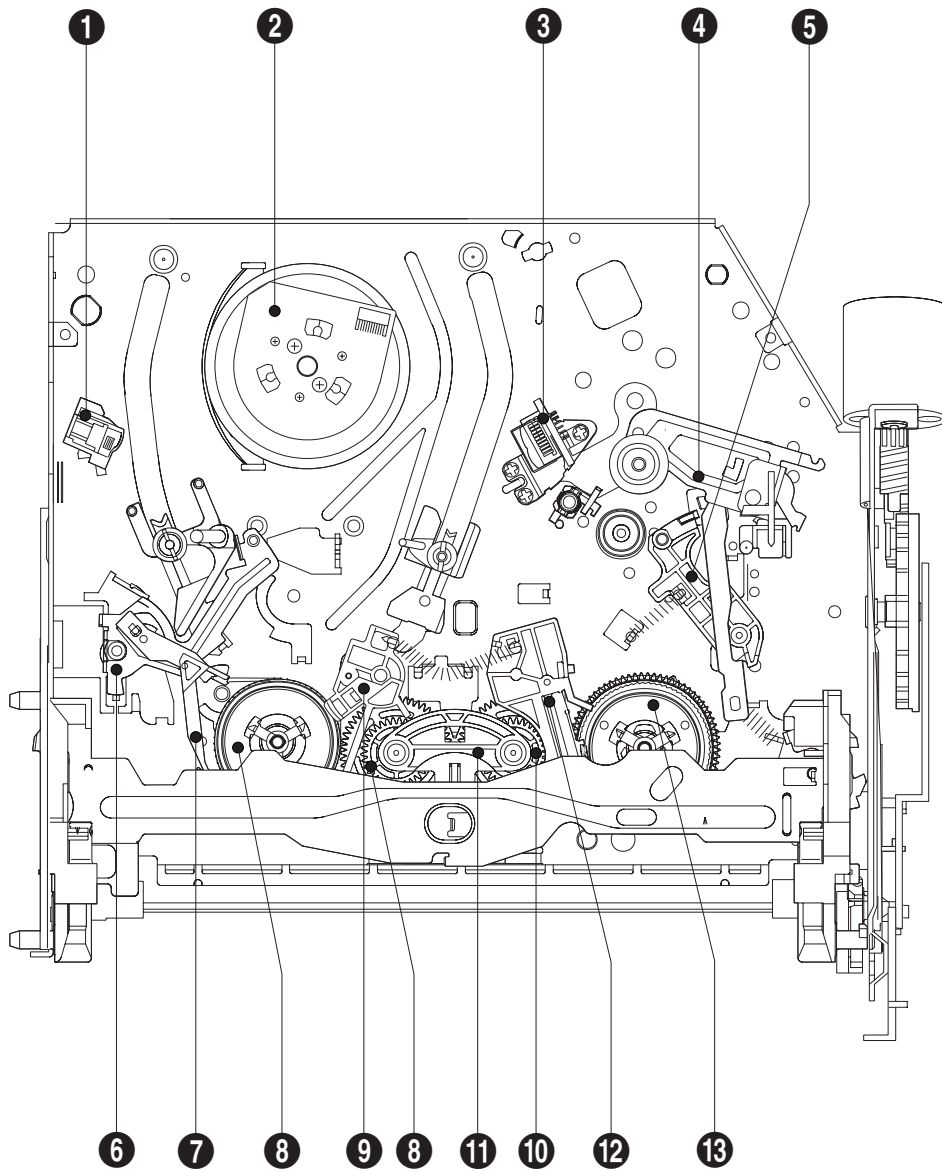


Fig. 3-2 Top Parts Location-2

- |                          |                       |
|--------------------------|-----------------------|
| ① FE HEAD                | ⑧ DISK S REEL         |
| ② CYLINDER ASS'Y         | ⑨ LEVER S BRAKE ASS'Y |
| ③ ACE HEAD ASS'Y         | ⑩ GEAR IDLE           |
| ④ LEVER UNIT PINCH ASS'Y | ⑪ LEVER IDLE          |
| ⑤ LEVER #9 GUIDE ASS'Y   | ⑫ LEVER T BRAKE ASS'Y |
| ⑥ LEVER TENSION ASS'Y    | ⑬ DISK T REEL         |
| ⑦ BAND BRAKE ASS'Y       |                       |

## 3-1-2 Bottom View

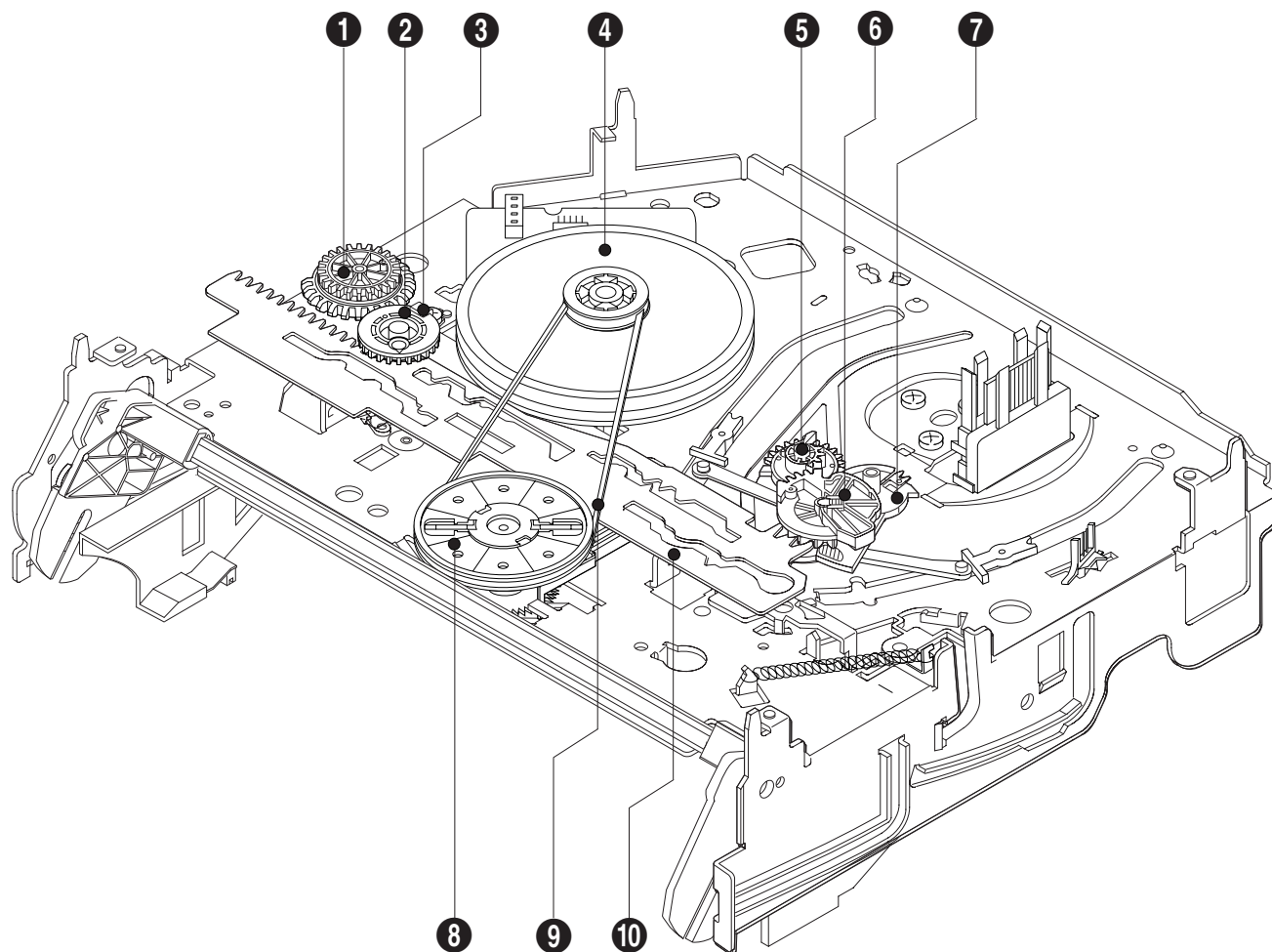


Fig. 3-3 Bottom Parts Location

- ❶ GEAR JOINT 1
- ❷ GEAR JOINT 2
- ❸ BRACKET GEAR
- ❹ MOTOR CAPSTAN ASS'Y
- ❺ LEVER T LOAD ASS'Y
- ❻ GEAR LOADING DRIVE
- ❼ LEVER S LOAD ASS'Y
- ❽ HOLDER CLUTCH ASS'Y
- ❾ BELT PULLEY
- ❿ SLIDER CAM

## 3-2 Main Deck

### 3-2-1 Lever FL Door Removal

- 1) Push the Holder FL Cassette Ass'y ❶ about 20mm in the direction of arrow "A".
- 2) Rotate the Lever FL Door ❷ in the direction of arrow "B".
- 3) Release the Hook ❸ and Remove the Lever FL Door ❷ in the direction of arrow "C".

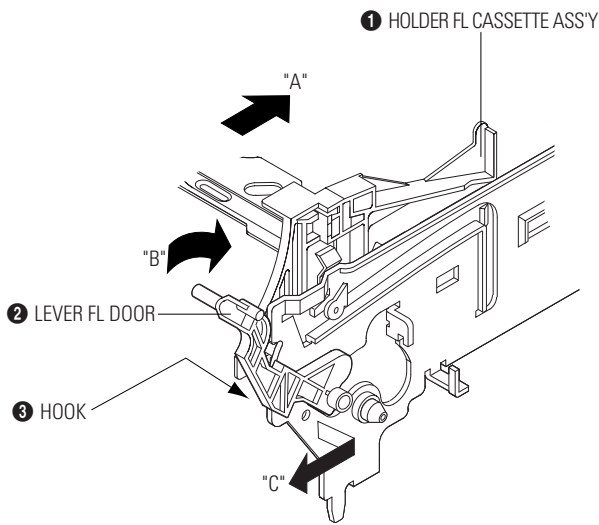


Fig. 3-4 Lever FL Door Removal

### 3-2-2 Holder FL Cassette Ass'y Removal

- 1) Pull the Holder FL Cassette Ass'y ❶ to the eject position.
- 2) Pull the Holder FL Cassette Ass'y ❶ as grasping the Holder FL Cassette Ass'y ❶ and Lever FL Cassette-R ❷ in the same time to release hooking from Main Base until the Boss [A] of Holder FL Cassette Ass'y ❶ is taken out from the Rail [B].
- 3) Lift the Holder FL Cassette Ass'y ❶, in this time, you have to grasp the Lever FL Cassette-R ❷ continuously until the Holder FL Cassette Ass'y ❶ is taken out completely.

**Note :** Be sure to insert Lever FL Cassette-R ❷ in the direction of "A" to prevent separation and breakage of the Lever FL Cassette-R ❷ at disassembling and reassembling.

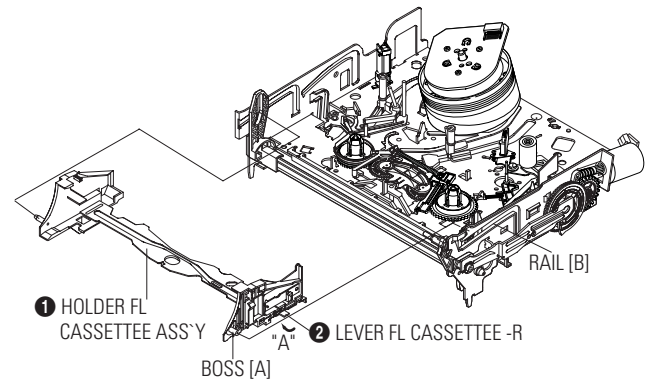


Fig. 3-5 Holder FL Cassette Ass'y Removal

### 3-2-3 Slider FL Drive, Gear FL Cam Removal

- 1) Pull the Slider FL Drive ❶ to the front direction.
- 2) Remove the Slider FL Drive ❶ in the direction of arrow. (Refer to Fig. 3-6)
- 3) Remove the Gear FL cam ❷.

**Note :** When reinstalling be sure to reassemble Slider FL drive ❶ after you insert the Boss of Lever FL ARM-R in Groove of Slider Fl drive ❶.

**Assembly :** Align the Gear FL Cam ❶ with the Gear worm wheel Post as shown drawing. (Refer to Timing point)

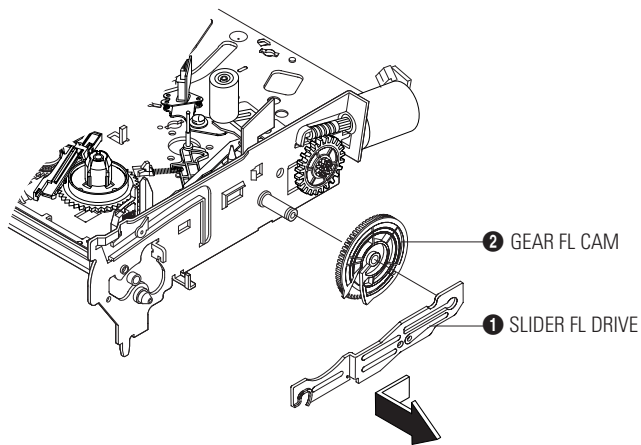


Fig. 3-6 Slider FL Drive Removal

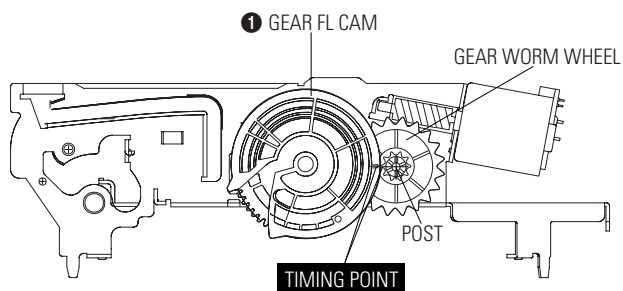


Fig. 3-7 Gear FL Cam, Gear Worm

### 3-2-4 Lever FL Arm Ass'y Removal

- 1) Push the hole "A" in the direction of arrow "B" use the pin.(about Dia. 2.5)
- 2) Pull out the Lever FL Arm Ass'y ❶ from the Boss of Main Base.
- 3) Remove the Lever FL Arm Ass'y ❶ in the direction of arrow "C".

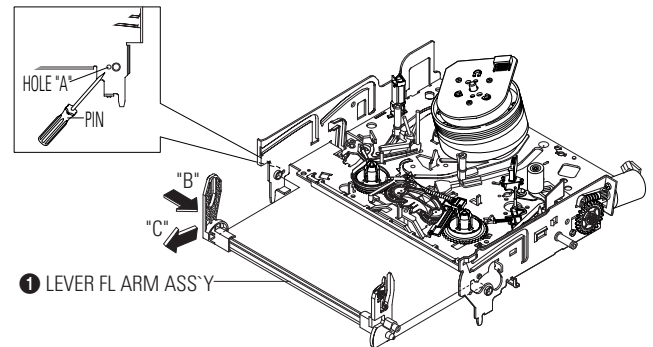


Fig. 3-8 Lever FL Arm Ass'y Removal

### 3-2-5 Gear Worm Wheel Removal

- 1) Remove the Gear Worm wheel ❶.

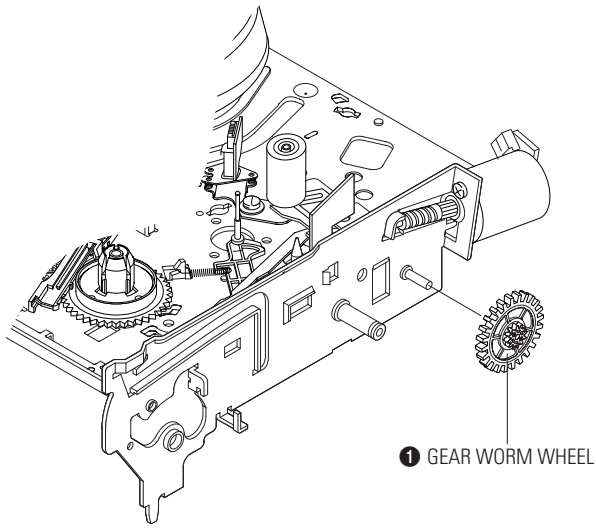


Fig. 3-9 Gear Worm Wheel Removal

### 3-2-6 Motor Loading Ass'y Removal

- 1) Remove the screw ❶.
- 2) Remove the Motor Loading Ass'y ❷.

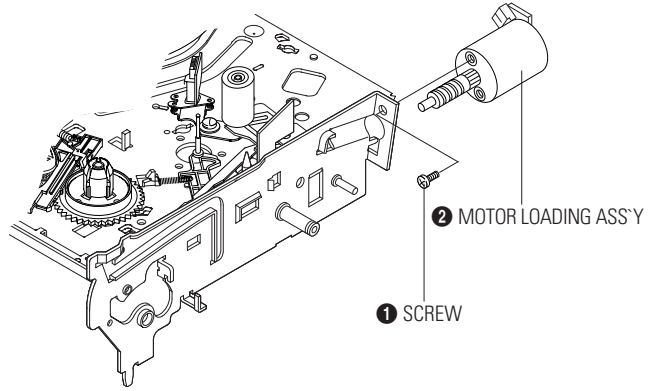


Fig. 3-10 Motor Loading Ass'y Removal



### 3-2-7 Bracket Gear, Gear Joint 2, 1 Removal

- 1) Remove the SCREW ❶.
- 2) Remove the Bracket Gear ❷.
- 3) Remove the Gear Joint 2 ❸.
- 4) Remove the Gear Joint 1 ❹.

#### Assembly :

- 1) Be sure to align dot mark of Gear Joint 1 ❶ with dot mark of Gear Joint 2 ❷ as shown Fig 3-12. (Refer to Timing point1)
- 2) Confirm the Timing Point 2 of the Gear Joint 2 ❷ and Slider Cam ❸.

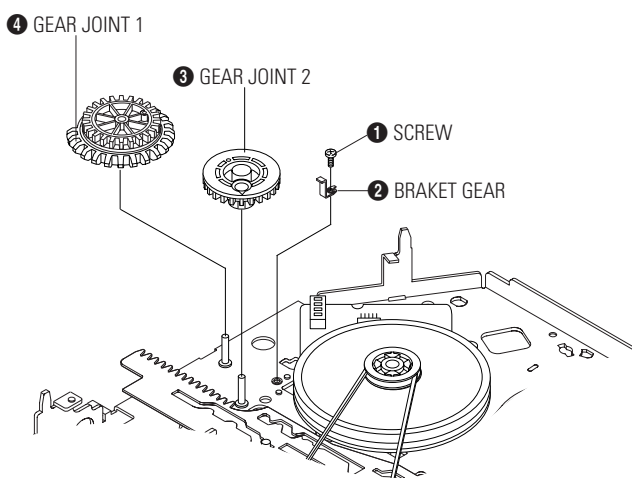


Fig. 3-11 Bracket Gear, Gear Joint 1,2 Removal

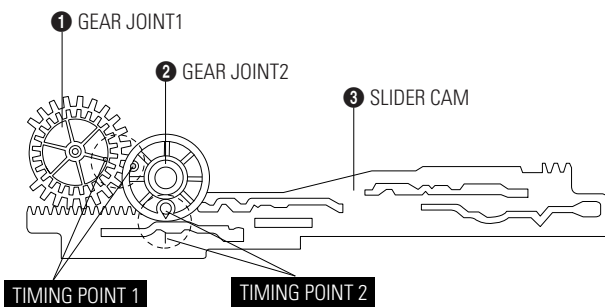


Fig. 3-12 Gear Joint 1,2 Assembly

### 3-2-8 Gear Loading Drive, Slider Cam, Lever Load S, T Ass'y Removal

- 1) Remove the Belt Pulley. (Refer to Fig. 3-30)
- 2) Remove the Gear Loading Drive ❶ after releasing Hook [A] in the direction arrow as shown in detail drawing.
- 3) Remove the Slider Cam ❷.
- 4) Remove the Lever Load ❸, Link Load ❹ & Lever Load ❷, Link Load ❺.

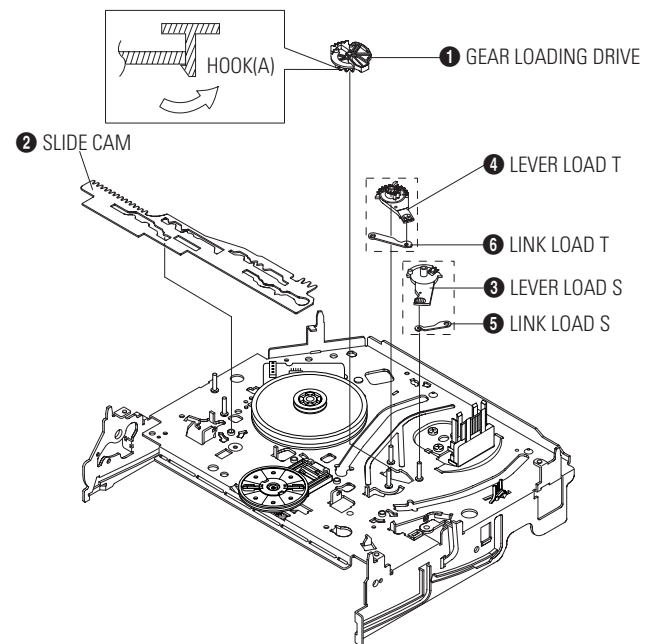


Fig. 3-13 Gear Loading Drive, Slider Cam, Lever T, S Load Ass'y Removal

### 3-2-9 Gear Loading Drive, Slider Cam, Lever Load S, T Ass'y Assembly

- 1) When reinstalling, be sure to align dot of Lever Load T Ass'y ❶ with dot of Lever Load S Ass'y ❷ as shown in drawing, (Refer to Timing Point 1).
- 2) Insert the Pin A,B,C,D into the Slider Cam ❸ hole,
- 3) Be sure to align dot of Lever Load T ❶ and dot of Gear Loading Drive ❹, (Refer to Timing Point 2).
- 4) Aline dot of Gear Loading drive ❹ with mark of Slider Cam ❸ as shown in drawing(Refer to Timing Point 3).

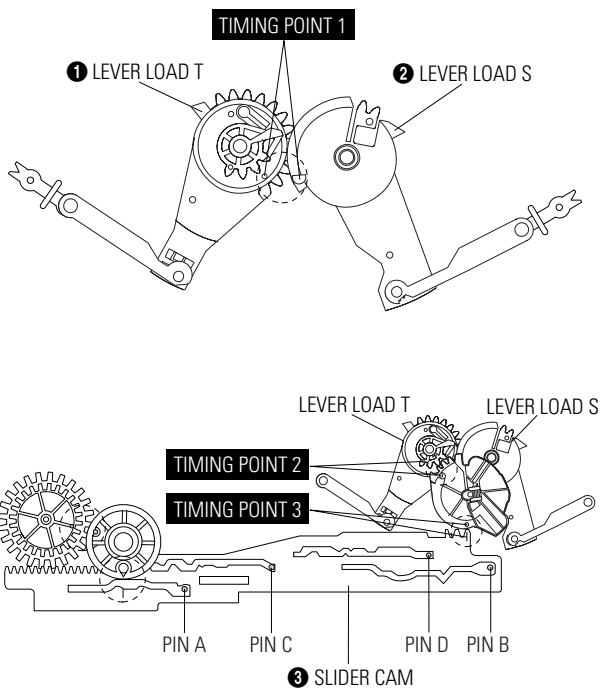


Fig. 3-14 Gear Loading Drive, Slider Cam, Lever Load S, T Ass'y Assembly

### 3-2-10 Lever Pinch Drive, Lever Tension Drive Removal

- 1) Remove the Lever Pinch Drive ❶, Lever Tension Drive ❷.

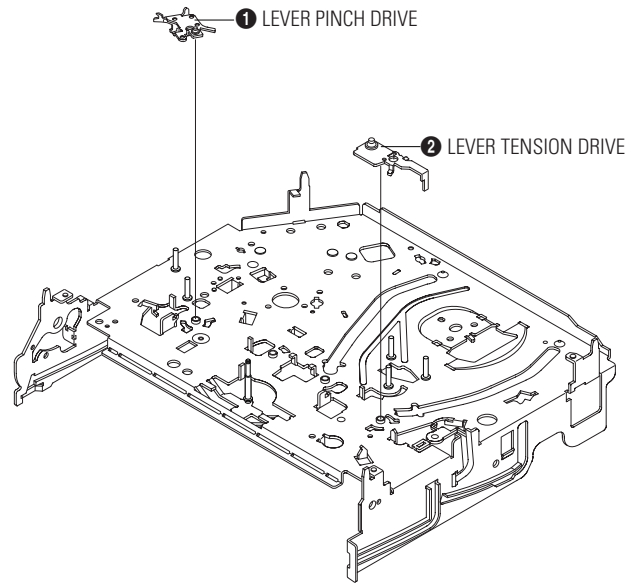


Fig. 3-15 Lever Pinch Drive, Lever Tension Drive Removal

### 3-2-11 Lever Tension Ass'y, Band Brake Ass'y Removal

- 1) Remove the Lever Brake S Ass'y (Refer to Fig 3-17).
- 2) Remove the Spring Tension Lever ❶.
- 3) Rotate stopper of Main Base in the direction of arrow "A".
- 4) Lift the Lever Tension Ass'y ❷ & Band brake Ass'y ❸.

#### Note :

- 1) When replacing the Lever Tension Ass'y ❷, be sure to apply Grease on the post,
- 2) Take care not to touch stain on the felt side, and not to be folder and broken Band brake Ass'y
- 3) After Lever Tension Ass'y seated, Rotate stopper of Main Base to the Mark[B].

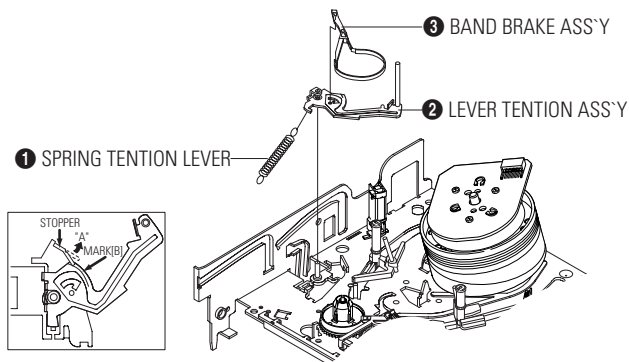


Fig. 3-16 Lever Tension Ass'y,  
Band Brake Ass'y Removal

### 3-2-12 Lever Brake S, T Ass'y Removal

- 1) Release the Hook [A] and the Hook [B], [C] in the direction of arrow as shown in Fig 3-17.
- 2) Lift the Lever S, T Brake Ass'y ❶, ❷ with spring brake ❸.

#### Assembly :

- 1) Assembly the Lever S Brake Ass'y ❶ on the Main Base.
- 2) Assembly the Lever T Brake Ass'y ❷ with spring brake ❸.

**Note :** Take extreme care not to be folded and transformed Spring Brake at removing or reinstalling.

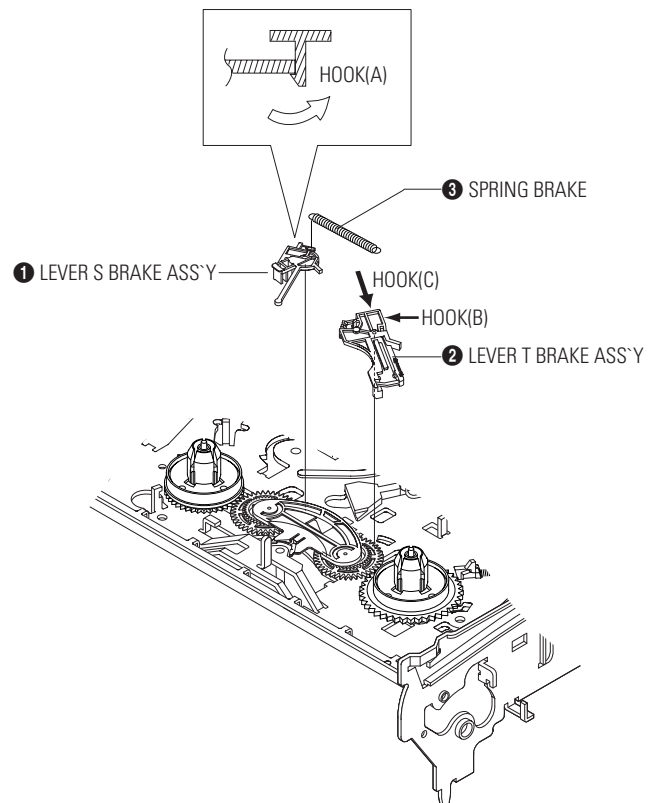


Fig. 3-17 Lever Brake S, T Ass'y Removal

### 3-2-13 Gear Idle Ass'y Removal

- 1) Push the Lever Idle ❶ in the direction of arrow "A", "B".
- 2) Lift the Lever Idle ❶.

#### Assembly :

- 1) Apply oil in two Bosses of Lever Idle ❶.
- 2) Assemble the Gear Idle ❷ with the Lever Idle ❶.

**Note :** When replacing the Gear Idle ❷, be sure to add oil in the boss of Lever Idle ❶.

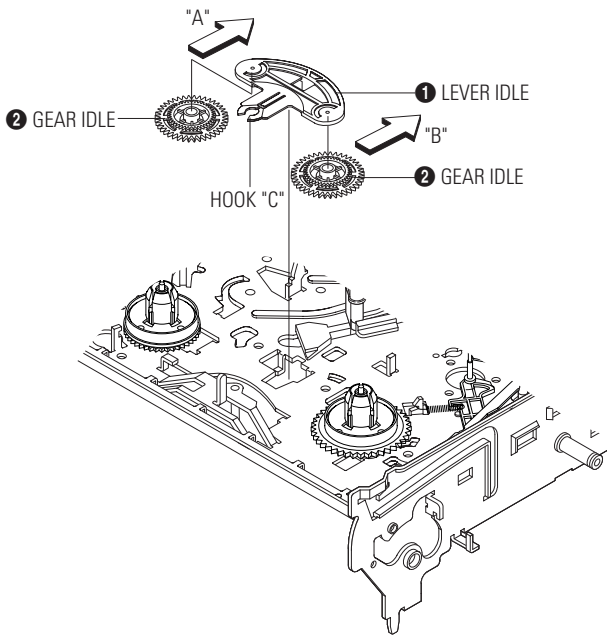


Fig. 3-18 Gear Idle Ass'y Removal

### 3-2-14 Disk S, T Reel Removal

- 1) Lift the Disk S, T Reel ❶, ❷.

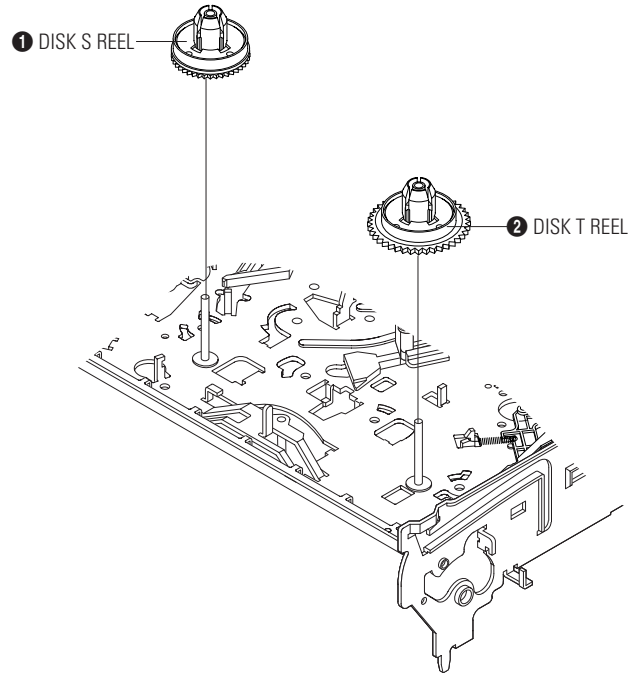


Fig. 3-19 Disk S, T Reel Removal

### 3-2-15 Holder Clutch Ass'y Removal

- 1) Remove the Washer Slit ❶.
- 2) Lift the Holder Clutch Ass'y ❷.

**Note :** When you reinstall Holder Clutch Ass'y

- 1) Check the condition of spring as shown in detail A.
- 2) Don't push Holder Clutch Ass'y down with excessive force Just insert Holder Clutch Ass'y into post center with dead force and Rotate it smoothly. Be sure to confirm that spring is in the slit of Gear Center Ass'y as shown in detail B.

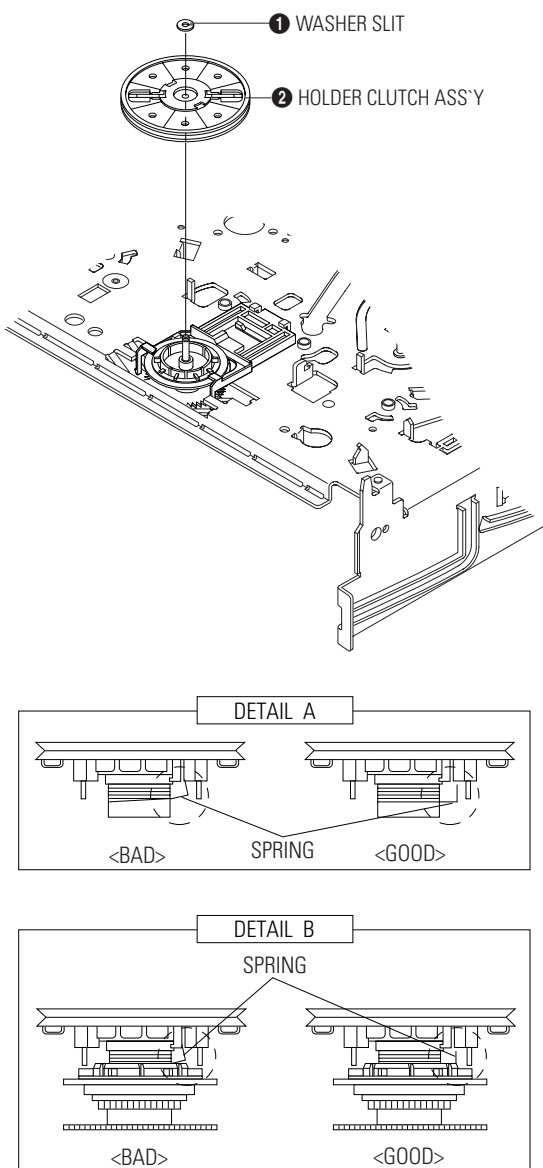


Fig. 3-20 Holder Clutch Ass'y Removal

### 3-2-16 Lever Up Down Ass'y, Gear Center Ass'y Removal

- 1) Remove the 2 hooks in the direction of arrow as shown Fig. 3-21 and lift the Lever Up Down Ass'y ❶.
- 2) Lift the Gear Center Ass'y ❷.

**Assembly :**

- 1) Insert the Lever Up Down Ass'y ❶ in the rectangular holes on Main Base as shown in Fig 3-22.
- 2) Lift the Lever Up Down Ass'y ❶ about 35°. (Refer to Fig 3-22)
- 3) Insert Ring of the Gear Center Ass'y ❷ in the Guide of the Lever Up Down Ass'y ❶.
- 4) Insert the Gear Center Ass'y ❷ in the post on Main Base.
- 5) Push down the Lever Up Down Ass'y ❶ for locking of the Hook.

**Note :**

- 1) Take care not to separate and sentence does not mark sense.
- 2) Be sure to confirm that Ring of the Gear Center Ass'y ❷ is in the Guide of the Lever Up Down Ass'y ❶ after finishing assembly of Lever Up Down Ass'y ❶ and Gear Center Ass'y ❷.

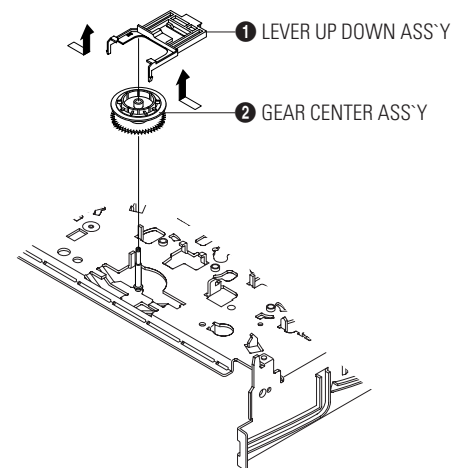


Fig. 3-21 Lever Up Down Ass'y Removal

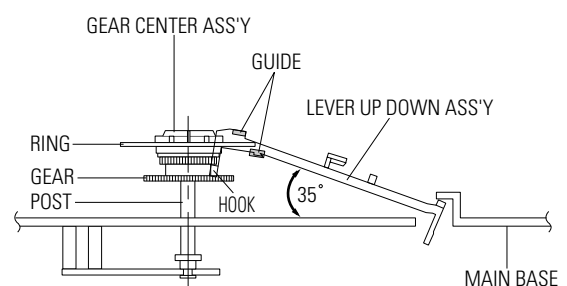


Fig. 3-22 Lever Up Down Ass'y Removal

### 3-2-17 Guide Cassette Door Removal

- 1) Lift the Hook [A].
- 2) Rotate the Guide Cassette Door ❶ in the direction of arrow.

**Note :** After reinstalling the Guide Cassette Door ❶ sure the Hook [A].

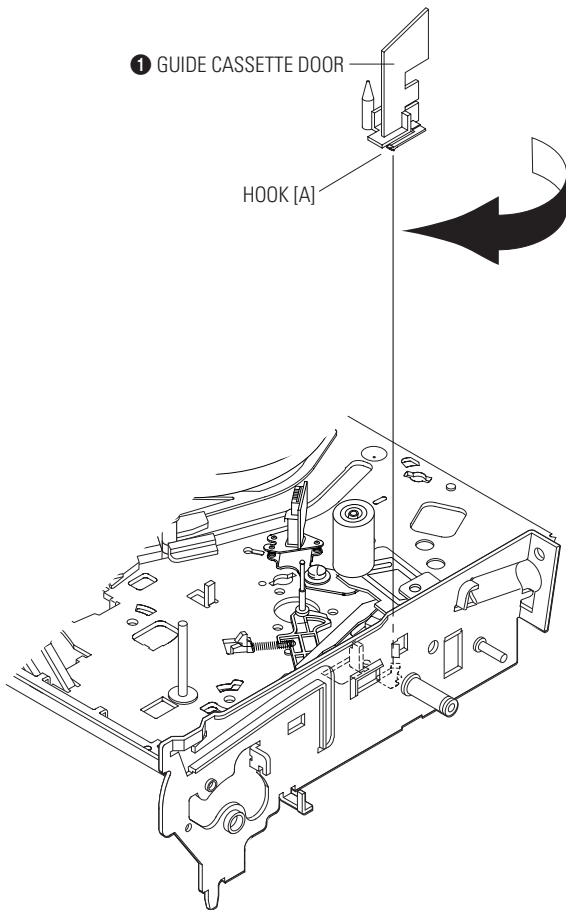


Fig. 3-23 Guide Cassette Door Removal

### 3-2-18 Lever Unit Pinch Ass'y, Plate Joint, Spring Pinch Drive Removal

- 1) Lift the Unit Pinch Ass'y ❶.
- 2) Remove the Plate Joint ❷ from Lever Pinch Drive.
- 3) Remove the Spring Pinch Drive ❸.

**Note :**

- 1) Take extreme care not to touch the grease on the Roller Pinch.
- 2) When reinstalling, be sure to apply grease on the post pinch roller.

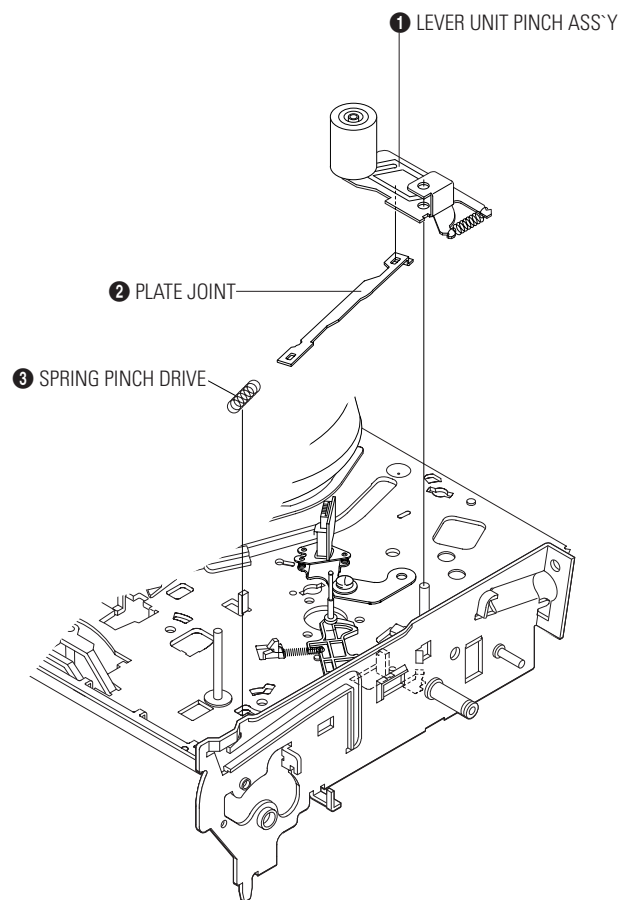


Fig. 3-24 Lever Unit Pinch Ass'y, Plate Joint, Spring Pinch Drive Removal

### 3-2-19 Lever #9 Guide Ass'y Removal

- 1) Remove the Spring #9 Guide ❶.
- 2) Lift the Spring #9 Guide Ass'y ❷ in the direction of arrow "A".

#### Note :

- 1) Take extreme care not to get grease on the tape Guide Post.
- 2) After reinstalling, check the bottom side of the Post #9 Guide to the top side of Main Base.

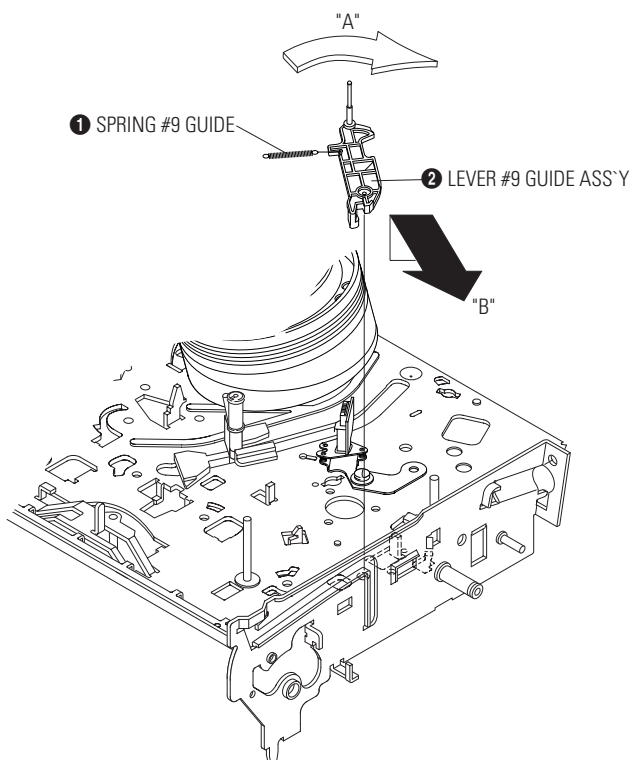


Fig. 3-25 Lever #9 Guide Ass'y Removal

### 3-2-20 FE Head Removal

- 1) Remove the screw ❶.
- 2) Lift the FE Head ❷.

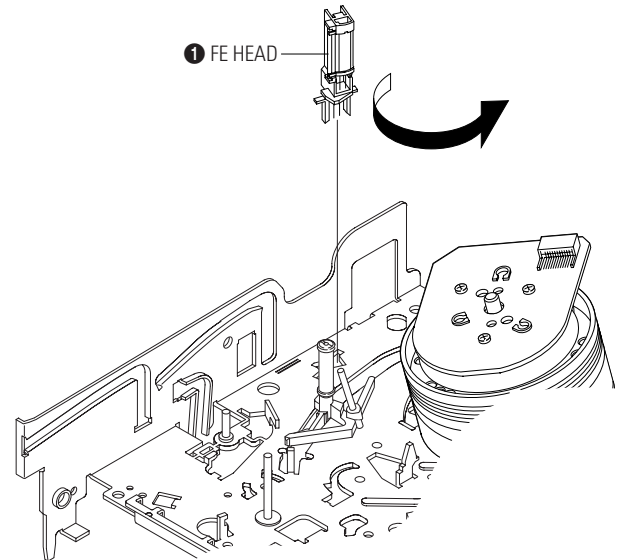


Fig. 3-26 FE Head Removal

### 3-2-21 ACE Head Removal

- 1) Pull out the FPC from connector of ACE Head Ass'y ②.
- 2) Remove the screw ①.
- 3) Lift the ACE Head Ass'y ②.

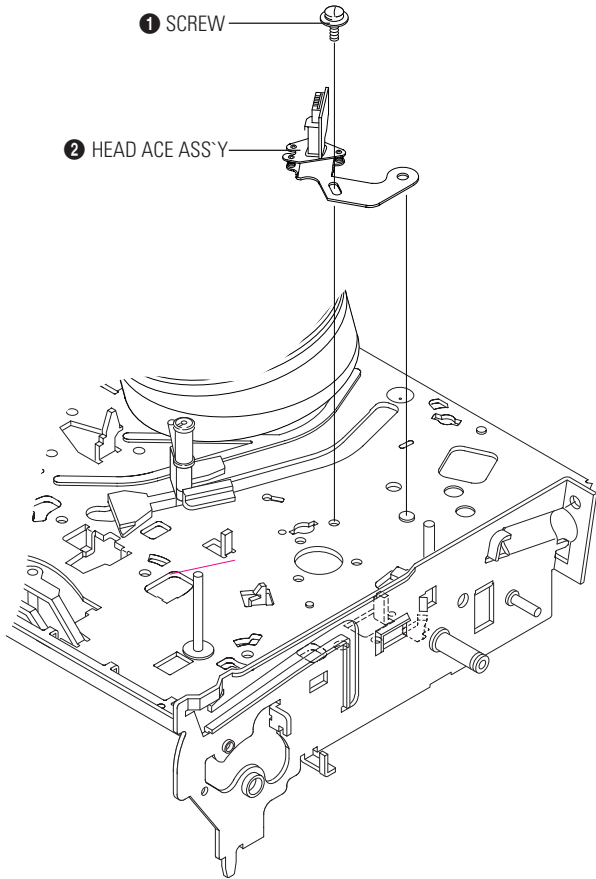


Fig. 3-27 ACE Head Removal

### 3-2-22 Slider S, T Ass'y Removal

- 1) Move the Slider S, T Ass'y ①, ② to slot, and then lift it to remove. (Refer to arrow)

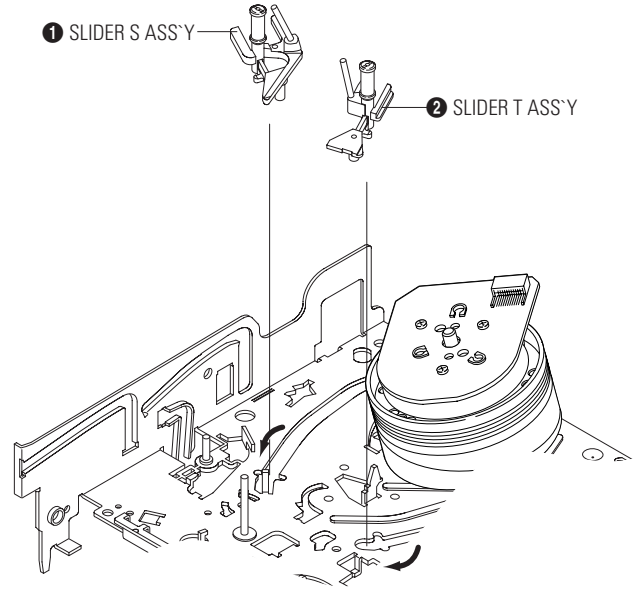


Fig. 3-28 Slider S, T Ass'y Removal



### 3-2-23 Plate Ground Deck, Cylinder Ass'y Removal

- 1) Remove the 3 Screws ❶.
- 2) Lift the Plate Ground Deck ❷.
- 3) Lift the Cylinder Ass'y ❸.

#### Assembly :

- 1) Match the 3 holes in the bottom of Cylinder ass'y ❸ to the 3 holes of Main Base as attending not to drop or knock the Cylinder ass'y ❸.
- 2) Tighten the 1 Screw ❶.
- 3) Match the Plate Ground Deck ❷ to the Hole of Base Main.
- 4) Tighten the other 2 Screws ❶.

#### Note :

- 1) Take care not to touch the Cylinder Ass'y ❸ and the tape guide post at reinstalling.
- 2) When reinstalling, Don't push down too much on Screw Driver.

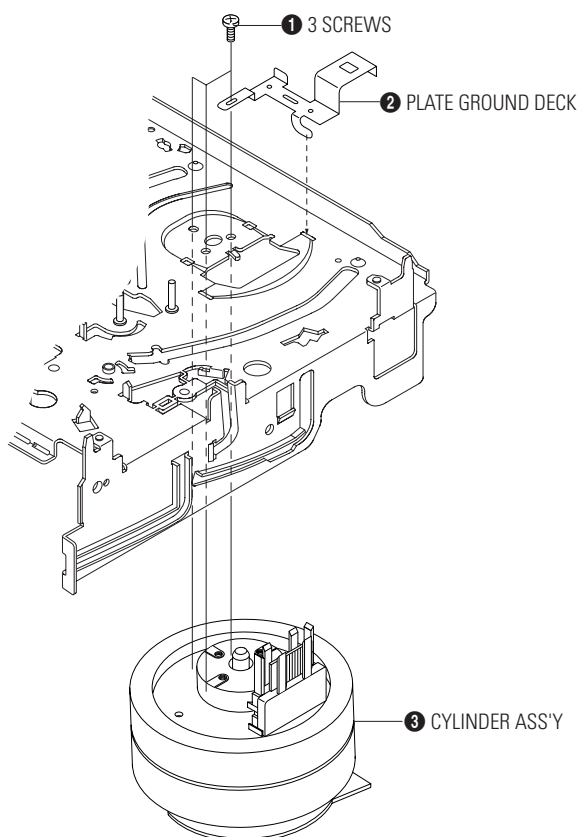


Fig. 3-29 Plate Ground Deck, Cylinder Ass'y Removal

### 3-2-24 Belt Pulley Removal

- 1) Remove the Belt Pulley ❶.

**Note :** Take extreme care not to get grease on Belt Pulley ❶ at assembling or reassembling.

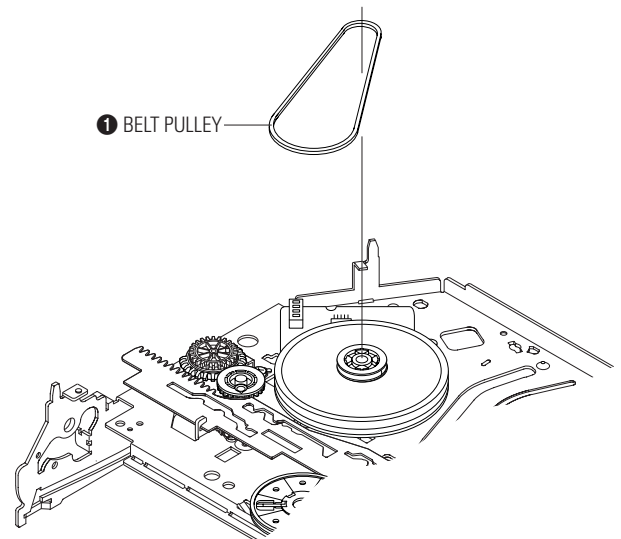


Fig. 3-30 Belt Pulley Removal

### 3-2-25 Level Head Cleaner Ass'y Removal (Optional)

- 1) Release the Hook ❶.
- 2) Lift the Lever Head Cleaner Ass'y ❷.

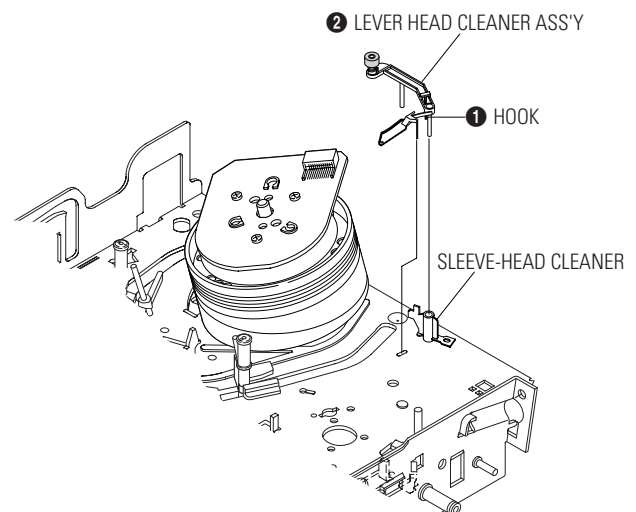


Fig. 3-31 Level Head Cleaner Ass'y Removal

### 3-2-26 Damper Capstan, Motor Capstan Ass'y Removal

- 1) Remove the Damper Capstan ❶ in the direction of arrow.
- 2) Remove the 3 Screws ❷.
- 3) Remove the Motor Capstan Ass'y ❸.

**Assembly :**

- 1) Match the 3 holes of Motor Capstan Ass'y ❸ to the 3 holes of Main Base. Be careful not to drop or knock the Motor Capstan Ass'y ❸.
- 2) Tighten the 3 Screws ❷ in the direction of arrow as shown detail drawing.
- 3) Assemble the Damper Capstan ❶.

**Note :** After tightening screws, check if there is gap between the head of screws and the top side of Main Base. There should have no gap between the head of screws and the top side of Main Base. After reinstalling, adjusting the tape transport system again.

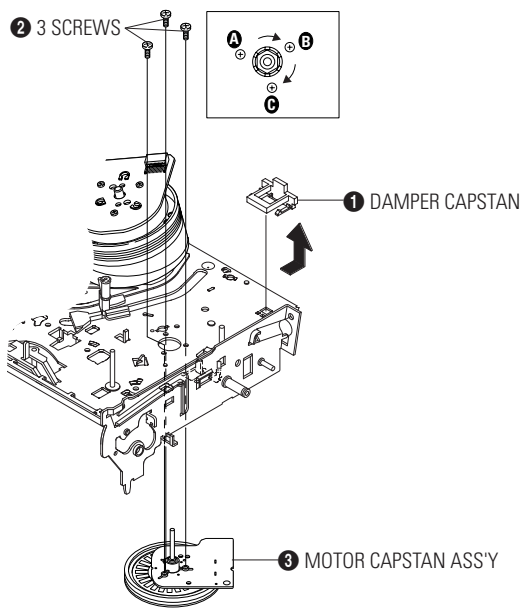


Fig. 3-32 Damper Capstan, Motor Capstan Ass'y Removal

### 3-2-27 How to Eject the Cassette Tape (If the unit does not operate on condition that is inserted into housing ass'y)

- 1) Turn the Gear worm ❶ clockwise with screw driver. (Refer to arrow)  
(Other method : Remove the Screw of Motor Load Ass'y, Separate the Motor Load Ass'y)

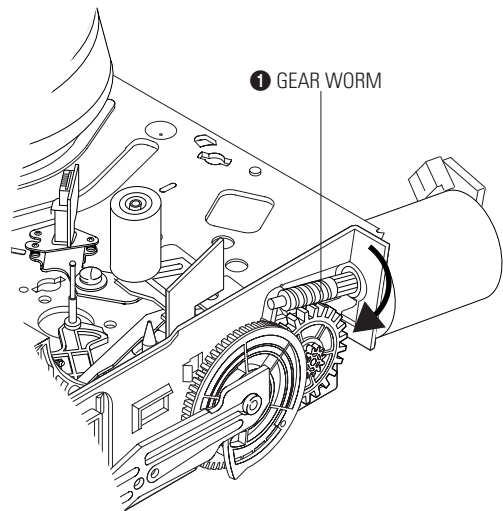


Fig. 3-33 How to Eject the Cassette Tape

- 2) When Slider S,T are approached in the position of unloading, rotate holder Clutch counterclockwise after inserting screw driver in the hole of frame's bottom in order to wind the unwinded tape. (Refer to Fig.3-34)  
(If you rotate Gear Worm ❶ continuously when tape is in state of unwinding, you may cause a tape contamination by grease and tape damage. Be sure to wind the unwinded tape in the state of set horizontally.)
- 3) Rotate Gear Worm ❶ clockwise using screw driver again up to the state of eject mode and then pick out the tape. (Refer to Fig.3-33)

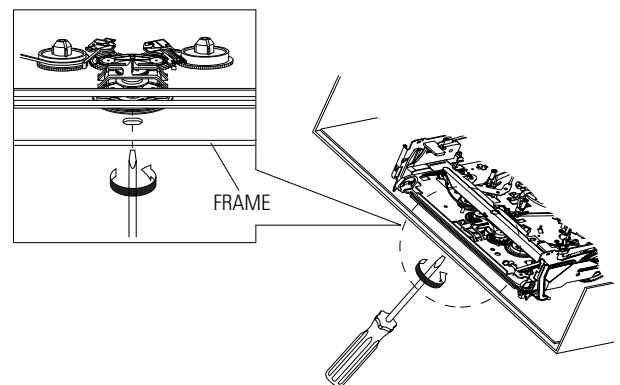


Fig. 3-34

### 3-3 The table of clearing, Lubrication and replacement time about principal parts

- 1) The replacement time of parts is not life of parts.
- 2) The table 1-1 is that the VCR Set is in normal condition (normal temperature, normal humidity).  
The checking period may be changed owing to the condition of use, runtime and environmental conditions.
- 3) Life of the Cylinder Ass'y is depend on the condition of use.
- 4) See exploded view for location of each parts.

&lt;Table 1-1&gt;

*	Parts Name	Checking Period										Remark
		500	1000	1500	2000	2500	3000	3500	4000	4500	5000	
T A P E P A T H S Y S T E M	POST TENSION	Δ	Δ	Δ	Δ	Δ	Δ	Δ	Δ	Δ	Δ	- To clean the parts, use patch and alcohol (solvent).  - After cleaning, use the video tape after alcohol is gone away completely.  - We recommend to use oil [EP-50] or solvent.  - One or two drops of oil should be applied after cleaning with alcohol.  - Periodic time of applying oil (Apply oil after cleaning) - The excessive applying oil may be the cause of malfunction.
	SLANT POST S, T	Δ	Δ	Δ	Δ	Δ	Δ	Δ	Δ	Δ	Δ	
	#8 GUIDE SHAFT	Δ	Δ	Δ	Δ	Δ	Δ	Δ	Δ	Δ	Δ	
	CAPSTAN SHAFT	Δ	Δ	Δ	Δ	Δ	Δ	Δ	Δ	Δ	Δ	
	#9 GUIDE POST	Δ	Δ	Δ	Δ	Δ	Δ	Δ	Δ	Δ	Δ	
	#3 GUIDE POST	Δ	Δ	Δ	Δ	Δ	Δ	Δ	Δ	Δ	Δ	
	GUIDE ROLLER S, T	Δ	Δ	Δ	0	0	0	0	0	0	0	
	CYLINDER ASS'Y	Δ	0	0	0	0	0	0	0	0	0	
	FE HEAD	Δ	Δ	Δ	0	0	0	0	0	0	0	
	ACE HEAD	Δ	0	0	0	0	0	0	0	0	0	
	PINCH ROLLER	Δ	0	0	0	0	0	0	0	0	0	
	POST REEL S, T											
	SLEEVE TENSION											
	POST CENTER											
LEVER IDLE BOSS (2Point)												
D R I V I N G S Y S T E M	CAPSTAN MOTOR PULLEY	Δ	Δ	Δ	Δ	Δ	0	0	0	0	0	
	BELT PULLEY				0	0	0	0	0	0	0	
	HOLDER CLUTCH ASS'Y	Δ	0	0	0	0	0	0	0	0	0	
	GEAR CENTER ASS'Y		0	0	0	0	0	0	0	0	0	
	GEAR IDLE (2Point)		0	0	0	0	0	0	0	0	0	
	LOADING MOTOR		0	0	0	0	0	0	0	0	0	
B R A K E S Y S T E M	BAND BRAKE ASS'Y		0	0	0	0	0	0	0	0	0	
	BRAKE T ASS'Y		0	0	0	0	0	0	0	0	0	

Δ : Cleaning

O : Check and replacement in necessary

: Add Oil

### 3-4 Tape Transport System and Adjustment Locations

The tape transport system has been adjusted precisely in the factory. Alignment is not necessary except for the following :

- 1) Noise observed on the screen.
- 2) Tape damage.
- 3) Parts replacement in the tape transport system.

Lower flange height of tape guide is used as the reference for the transport adjustment.

To maintain the height of the tape guide and prevent damage, do not apply excessive force onto the main base.

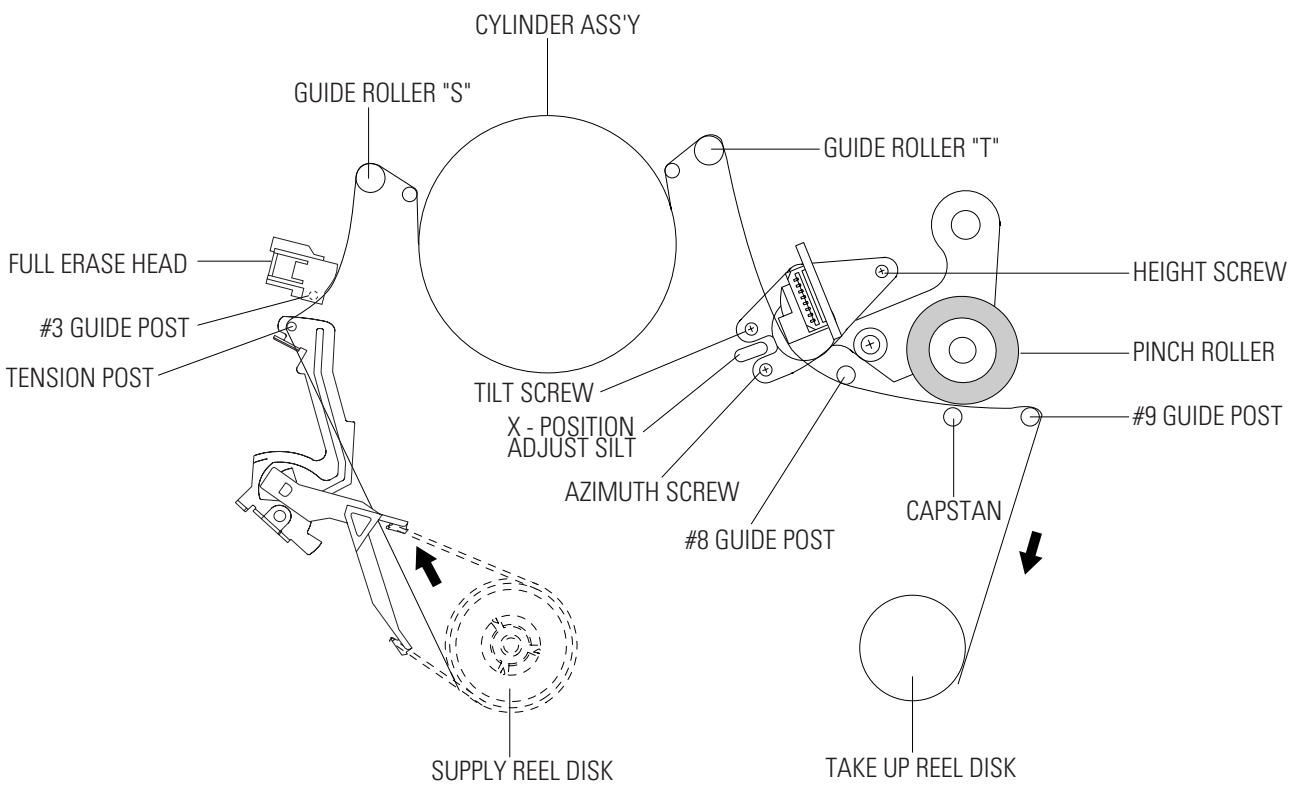


Fig. 3-4-1 Location of Tape Transport Adjustment

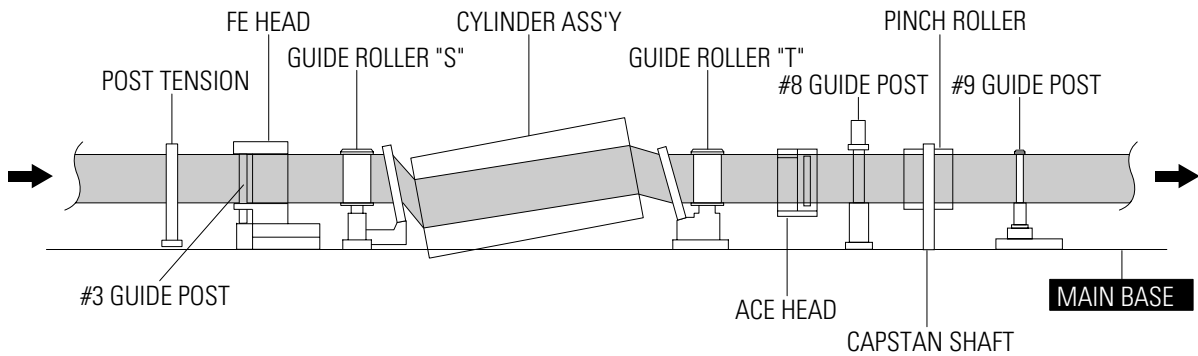


Fig. 3-4-2 Tape Travel Diagram

## 3-5 Tape Transport System Adjustment

When parts are replaced, perform the required adjustments by referring to procedures for the tape transport system. If there are any changes to the tape path, first run a T-120 tape and make sure excessive tape wrinkle does not occur at the tape guides.

- 1) If tape wrinkle is observed at the guide roller S, T, turn the guide roller S, T until wrinkle disappears.
- 2) If the tape wrinkle is still observed at the tape guide, perform the tilt adjustment of the ACE head. (See "2. Alignment and Adjustment" of the Service Manual for Test Point Locations.)

### 3-5-1 ACE Head Assembly Adjustment

#### 3-5-1(a) ACE HEAD HEIGHT ADJUSTMENT

- 1) Run the alignment tape (Color bar) in the playback mode.
- 2) Observe surface of the audio head using a dental mirror.
- 3) Turn screw (C) clockwise or counterclockwise until the gap of lower tape edge and the lower edge of the control head is about 0.25mm. (Refer to Fig. 3-5-1 and 3-5-2)

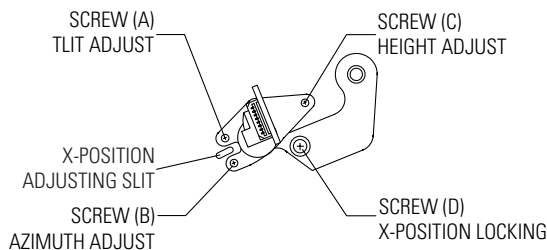


Fig. 3-5-1 Location of ACE Head Adjustment Screw

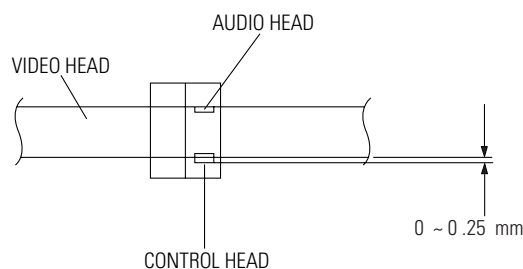


Fig. 3-5-2 ACE Head Height Adjustment

#### 3-5-1(b) ACE HEAD TILT ADJUSTMENT

- 1) Playback a blank tape and observe the position of the tape at the lower flange of tape guide.
- 2) Confirm that there is no curl or wrinkle at the lower flange of tape guide as shown in Fig. 3-5-3 (B).
- 3) If a curl or wrinkle of the tape occurs, slightly turn the screw (A) tilt adjust on the ACE head ass'y.
- 4) Reconfirm the ACE head height.

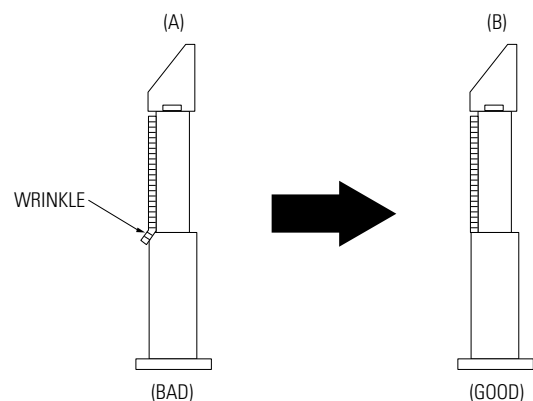


Fig. 3-5-3 Tape Guide Check

#### 3-5-1(c) AUDIO AZIMUTH ADJUSTMENT

- 1) Load alignment tape (Mono scope) and playback the NTSC : 7KHz (PAL : 6KHz) signal.
- 2) Connect channel-1 scope probe to audio output test point.
- 3) Adjust screw (B) to achieve maximum audio level. (See Fig. 3-5-1)

#### 4-5-1(d) ACE HEAD POSITION (X-POINT) ADJUSTMENT

- 1) See "2. Alignment and Adjustment" for ACE Head position (X-Point) adjustment.

### 3-5-2 Linearity adjustment (Guide roller S, T adjustment)

- 1) Playback the Mono Scope alignment tape (SP mode).
- 2) Observe the video envelope signal on an oscilloscope (triggered by the video switching pulse).
- 3) Make sure the video envelope waveform (at its minimum) meets the specification shown in Fig. 3-5-4.

If it does not, adjust as follows :

**Note :**

a=Maximum output of the video RF envelope.

b=Minimum output of the video RF envelope at the entrance side.

c=Minimum output of the video RF envelope at the center point.

d=Maximum output of the video RF envelope at the exit side.

- 4) If the section A in Fig. 3-5-5 does not meet the specification, adjust the guide roller S up or down.
- 5) If the section B in Fig. 3-5-5 does not meet the specification, adjust the guide roller T up or down.

6) Play back the Mono Scope alignment tape (SP mode).

7) Connect an oscilloscope CH-1 to the Envelope and CH-2 to the H'D SW Pulse for triggering.

8) Turn the guide roller heads with a flat head (🔧) driver to obtain a flat video RF envelope as shown in Fig. 3-8.

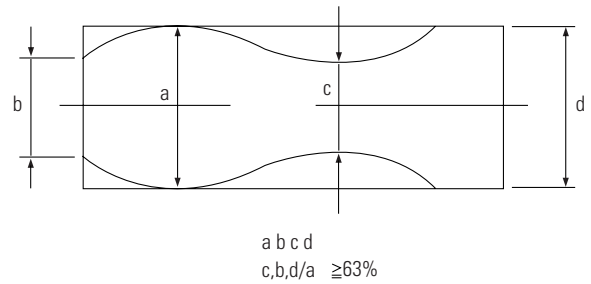


Fig. 3-5-4 Envelope Waveform Adjustment

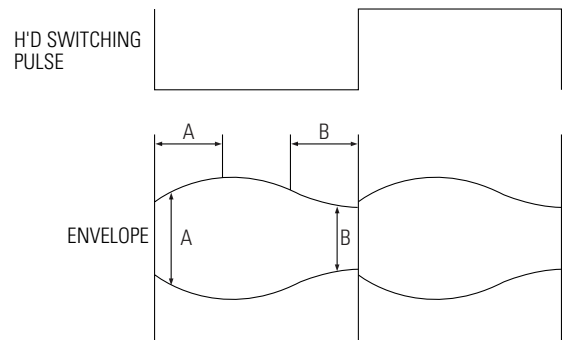


Fig. 3-5-5 Adjustment Points

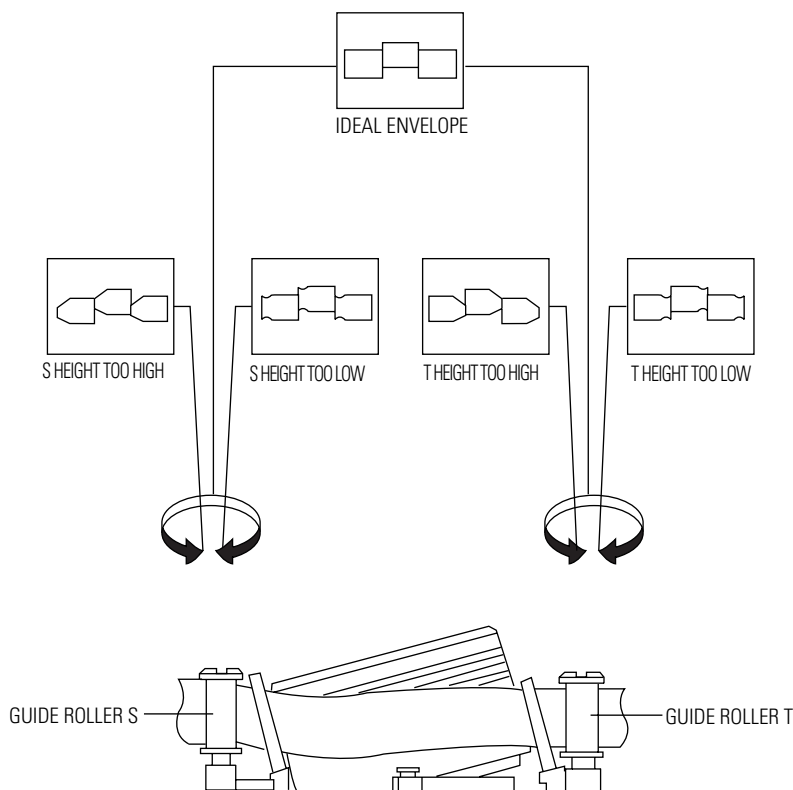


Fig. 3-5-6 Guide Roller S, T Height Adjustment

### 3-5-3 Check Transitional Operation from RPS to Play

Check transition from RPS mode to play mode :  
Using a pre-recorded SP tape, make sure the entry side of envelope comes to an appropriate steady state within 3 seconds (as shown in Fig. 3-5-7).  
If the envelope waveform does not reach specified peak-to-peak amplitude within 3 seconds, adjust as follows :

- 1) Make sure there is no gap between the supply roller lower flange and the tape.  
If there is a gap, adjust the supply guide roller again.
- 2) Change operation mode from the RPS to the play mode (again) and make sure the entry side of envelope rises within 3 second.

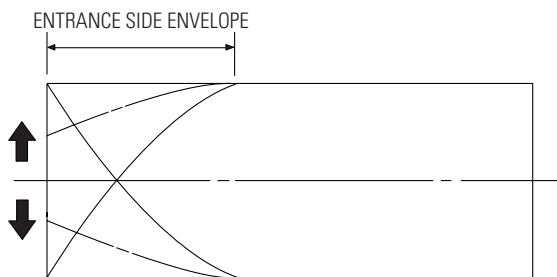


Fig. 3-5-7 Video Envelope Rising when Operation mode Changes from RPS to Play Mode

### 3-5-4 Envelope Check

- 1) Make recordings on T-120 (E-120) and T-160 (E-180) tape.  
Make sure the playback output envelope meets the specification as shown in Fig. 3-5-8.
- 2) Play back a self recorded tape (recording made on the unit using with T-120 (E-120)).  
The video envelope should meet the specification as shown in Fig. 3-5-8.  
In SP mode, (A) should equal (B).  
If the head gap is wide, upper cylinder should be checked.

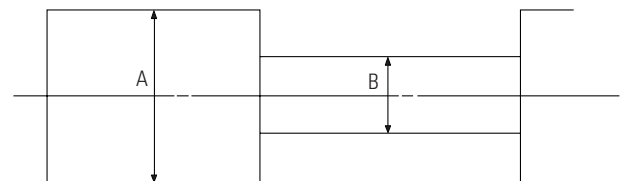


Fig. 3-5-8 Envelope Output and Output Level

### 3-5-5 Tape Wrinkle Check

- 1) Run the T-160 (E-180) tape in the playback, FPS, RPS and Pause modes and observe tape wrinkle at each guide.
- 2) If excessive tape wrinkle is observed, perform the following adjustments in Playback mode :

Tape wrinkle at the guide roller S, T section :  
Linearity adjustment.  
Tape wrinkle at tape guide flange :  
ACE head assembly coarse adjustment.

## 3-6 Reel Torque

- 1) The rotation of the capstan motor causes the Holder Clutch Ass'y to rotate through the Belt Pulley.
- 2) The spring wrap PLAY/REV of holder clutch ass'y drives the disk reel S, T through gear idle by rotation of gear center ass'y.
- 3) Brake is operated by slider cam at FF/REW mode.
- 4) Transportation of accurate driving force is done by gears. (Gear Center Ass'y)

**Note :** If the spec. does not meet the followings specifications, replace the holder clutch ass'y and then recheck.

<Table 2-1>

MODE	TORQUE g/cm	GAUGE
PB	42 ± 11	Cassette Torquemeter
RPS	145 ± 30	Cassette Torquemeter

---

## 4. Alignment and Adjustments (Electrical)

---

### 4-1 Preadjustment

---

#### 4-1-1 Factory Mode

1. Do not attempt these adjustments in the Video Mode.
2. The Factory Mode adjustments are necessary when either the EEPROM (IC902) or the CRT is replaced.
3. Do not tamper with the "Adjustment" screen of the Factory Mode menu. This screen is intended only for factory use.

#### 4-1-3 When CRT Is Replaced

Make the following adjustments after setting up purity and convergence:

White Balance  
Sub-Brightness  
Vertical Center  
Vertical Size  
Horizontal Size

#### 4-1-2 When EEPROM (IC902S) Is Replaced

1. When IC902 is replaced all adjustment data revert to initial values. It is necessary to re-program this data.
2. After IC902 is replaced, warm up the TV for 10 seconds.

## 4-2 Factory ("Service") Mode

---

### 4-2-1 Procedure for the "Adjustment" Mode

1. This mode uses the standard remote control. The Service Mode is activated by: (1) pressing the "FACTORY" service key on the local-keyboard, or (2) by entering the following remote-control sequence (within 2 seconds):  
  
STAND-BY → DISPLAY → MENU → MUTE → POWER ON
2. The "SERVICE (FACTORY)" message will be displayed. The Service Mode has three components: Adjustment, Option and Reset.
3. Access the Adjustment Mode by pressing the "VOLUME" keys ( Up or Down). The adjustment parameters are listed in the accompanying table, and selected by pressing the CHANNEL keys (▲, ▼).
4. Selection sequences for the PAL/SECAM B/G, L/systems:  
  
down or up key:  
AGC>TXP>AFW>SBT>SCT>SCR>STT>RG>GG>BG>TCT>SC>SL>PVS>PHS>NVS>NHS>CDL>BKS
5. The VOLUME keys increase or decrease the adjustment values, (stored in the non-volatile memory) when Adjustment Mode is cancelled.



**4-2-2 Main Adjustment Parameters**

OSD ABBREVIATION	RANGE	INITIAL DATA
AGC	63	28
XP	7	5
QSS	1	1
SBT	23	6
SCT	23	10
SCR	13	6
STT	13	9
RG	63	38
GG	63	32
BG	63	32
TCT	1	0
SC	63	11
SL	63	30
VA	63	38
PVS	63	27
PHS	63	40
NVS	63	38
NHS	63	22
CDL	15	4
SCL	3	1
PWL	15	12
OMD	63	26
BLR	63	31
BLB	63	27
AGC2T	31	15
PF	3	2
RP	3	2
YD	15	5

NOTE : PVS, PVA, PHS, NVS, NVA,NHS parameters must be aligned using both the 50 Hz and 60 Hz vertical-field rates.

**4-2-3 AGING Mode (Reference Only)**

**This pattern is used for pre-heating the CRT during manufacturing--it is accessed in the factory by twice pressing the "FACTORY" key .**

**Even if the TV power is cut off, the Aging Mode is not cancelled.  
The "AGING" marking is displayed on the screen.  
The AGINGmode is cancelled by repressing the "FACTORY" key.**

**4-2-4 Option**

BYTE	ITEM	0
1	LANGUAGE	EUROPE/URSSIA
2	SYSTEM	CF/CI/CW/CX/CB/CII
3	TUNER	1/2
4	HELP MESSAGE	ON/OFF
5	VCR HEAD	2HD/2HDLP/4HD/HIFI
6	G-CODE	SHOWVIEW/VIDEO PLUS/NONE
7	ATS OPTION	ON/OFF
8	VPS/PDC	PDC/VPS/NONE
9	TTX	ON/OFF

**4-3 Reset**

BYTE	ITEM	0
1	Contrast	
2	Bright	
3	Sharpness	
4	Color	
5	Tint	
6	Volume	
7	Program Number	
8	Color System	
9	Sound System	
	3DB LNA	
	Panel Lock	
	Language	
	Clock	
	Timer	
	On Time	
	Sleep	
	PICTURE MODE	

## 4-4 Other Adjustments

---

### 4-4-1 General

1. Usually, a color TV needs only slight touch-up adjustment upon installation. Check the basic characteristics such as height, horizontal and vertical sync and focus.
2. The picture should have good black and white details. There should be no objectionable color shading; if color shading is present, perform the purity and convergence adjustments described below.
3. Use the specified test equipment or its equivalent.
4. Correct impedance matching is essential.
5. Avoid overload. Excessive signal from a sweep generator might overload the front-end of the TV. When inserting signal markers, do not allow the marker generator to distort test results.
6. Connect the TV only to an AC power source with voltage and frequency as specified on the backcover nameplate.
7. Do not attempt to connect or disconnect any wires while the TV is turned on. Make sure that the power cord is disconnected before replacing any parts.
8. To protect against shock hazard, use an isolation transformer.

### 4-4-2 Automatic Degaussing

A degaussing coil is mounted around the picture tube, so that external degaussing after moving the TV should be unnecessary. But the receiver must be properly degaussed upon installation.

The degaussing coil operates for about 1 second after the power is switched ON. If the set has been moved or turned in a different direction, disconnect its AC power for at least 10 minutes.

If the chassis or parts of the cabinet become magnetized, poor color purity will result. If this happens, use an external degaussing coil. Slowly move the degaussing coil around the faceplate of the picture tube and the sides and front of the receiver. Slowly withdraw the coil to a distance of about 6 feet before removing power.

### 4-4-3 High Voltage Check

**CAUTION:** There is no high voltage adjustment on this chassis. The B+ power supply must be set to +125 volts (Full color bar input and normal picture level).

1. Connect a digital voltmeter to the second anode of the picture tube.
2. Turn on the TV. Set the Brightness and Contrast controls to minimum (zero beam current).
3. The high voltage should not exceed 27.5KV.
4. Adjust the Brightness and contrast controls to both extremes. Ensure that the high voltage does not exceed 27.5KV under any conditions.

#### 4-4-4 FOCUS Adjustment

1. Input a black and white signal.
2. Adjust the tuning control for the clearest picture.
3. Adjust the FOCUS control for well defined scanning lines in the center area of the screen.

#### 4-4-5 Screen Adjustment

1. Turn to the ACTIVE channel.
2. Adjust the VR screen for a normal picture is (no blooming or flyback line).
3. Adjust the FOCUS control for well defined scanning lines in the center area of the screen.

#### 4-4-6 Purity Adjustment

1. Warm up the receiver for at least 20 minutes.
2. Plug in the CRT deflection yoke and tighten the clamp screw.
3. Plug the convergence yoke into the CRT and set in as shown in Fig. 4-1.
4. Input a black and white signal.
5. Fully demagnetize the receive by applying an external degaussing coil.
6. Turn the CONTRAST and BRIGHTNESS controls to maximum.
7. Loosen the clamp screw holding the yoke. Slide the yoke backward or forward to provide vertical green belt. (Fig. 4-2).
8. Tighten the convergence yoke.
9. Slowly move the deflection yoke forward, and adjust for the best overall green screen.
10. Temporarily tighten the deflection yoke.
11. Produce blue and red rasters by adjusting the low-light controls. Check for good purity in each field.
12. Tighten the deflection yoke.

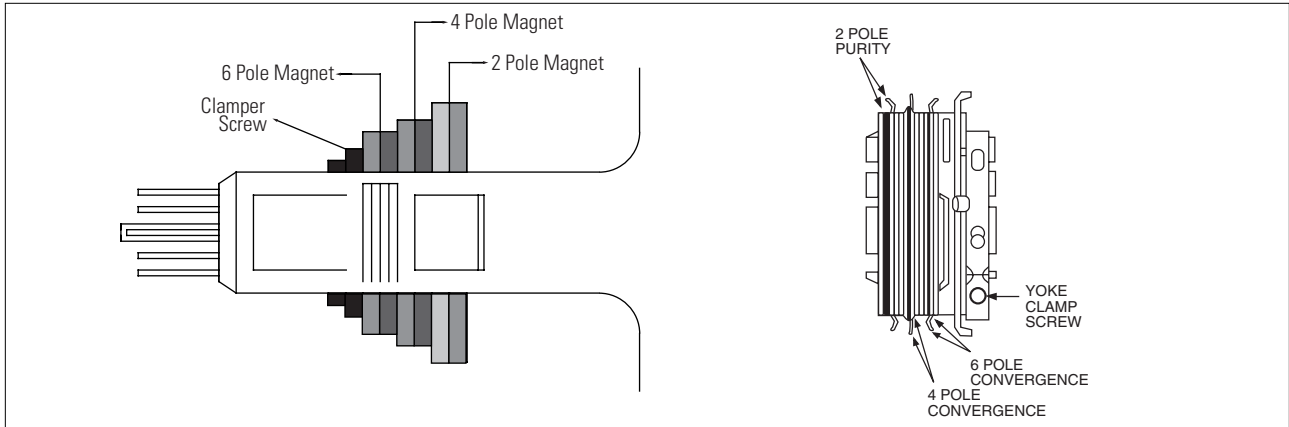


Fig. 4 -1 Convergence Magnet Assembly

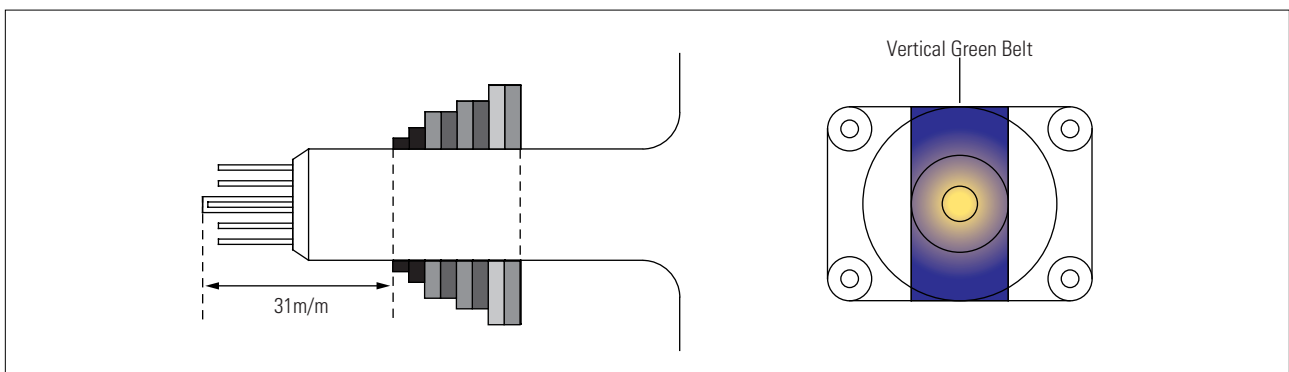


Fig.4-2 Center Convergence Adjustment

#### 4-4-7 White Balance Adjustment

##### 4-4-7 (A) HIGH-LIGHT ADJUSTMENT

1. Input either a Lion Head or a “pure white” pattern.
2. Warm up the TV for 30 minutes.
3. Check the data in the Service Mode
4. Adjust RG, BG in the Factory Mode.

##### 4-4-7 (B) LOW-LIGHT ADJUSTMENT

1. Automatically accomplished during the high-light adjustment.

#### 4-4-8 Center Convergence Adjustment

1. Warm up the receiver for at least 20 minutes.
2. Adjust the two tabs of the 4 pole magnets to change the angle between them. Superimpose the red and blue vertical lines in the center area of the screen.
3. Adjust the Brightness and Contrast controls for a well defined picture.
4. Adjust the two-tab pairs of the 4 pole magnets, and change the angle between them. Superimpose the red and the blue vertical lines in the center area of the screen.
5. Turn the both tabs at the same time, keeping the angle constant, and superimpose the red and blue horizontal line in the center of the screen.
6. Adjust the two-tab pairs of the 6-pole magnets to superimpose the red and blue line onto the green. (Changing the angle affects the vertical lines, and rotating both magnets affects the horizontal lines.)
7. Repeat adjustments 2~6, if necessary.
8. Since the 4-pole magnets and 6-pole magnets interact, the dot movement is complex (Fig. 4-3).

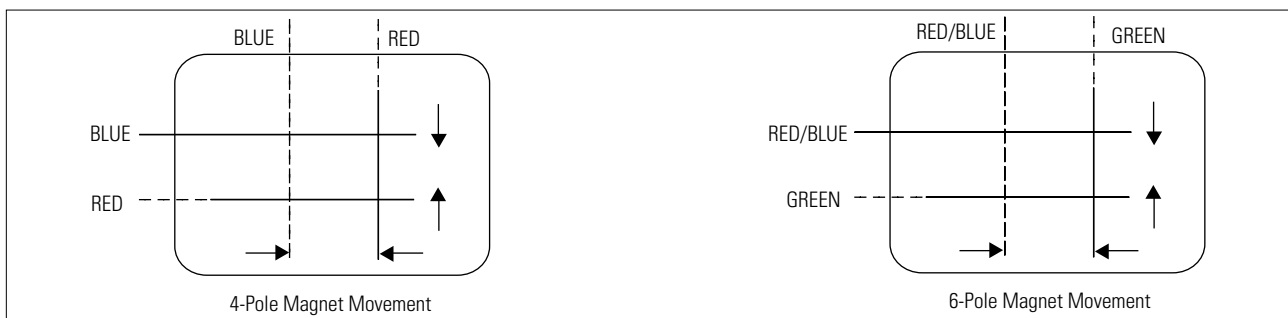


Fig 4-3 Center Convergence Adjustment

#### 4-4-9 Dual Tuner AFT Adjustment

Test Equipment

1. TV Generator(PM5518, PM5418, ETC)
2. DC VOLTMETER

1. Connect DC Voltmeter to AFT terminal of TUNER IF-MODULE.
2. After selecting P00, input to IF1 terminal of TU002(38.9 MHz Using PM5518)
3. After selecting P00, set to  $2.5V \pm 0.2V$ (Using FRANCE : T101, PAL/SCAM B/G,I,D/K : L102)

## 4-5 Electrical Adjustment (VCR Section)

### 4-5-1 Preparation

Electrical adjustments are required after replacing circuit components and certain mechanical parts. It is important to perform these adjustment only after all repairs and replacements have been completed. Also, do not attempt these adjustments unless the proper equipment is available.

### 4-5-2 Required Test Equipment

1. Color Television or Monitor
2. Oscilloscope : Wide-band, dual-trace, triggered delayed sweep.
3. DC Voltmeter
4. TV CH Generator
5. Attenuator
6. Recording tape. (Blank tape)
7. Pattern Generator : PAL color bar. 100% White.

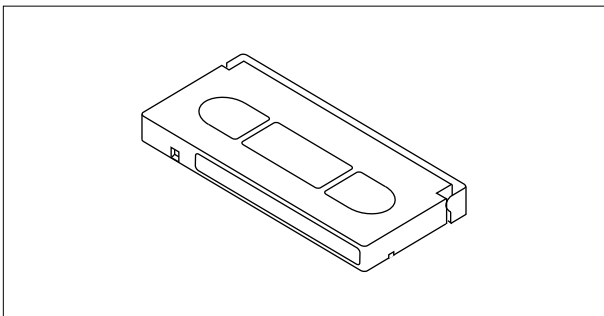


Fig. 4-4 Alignment Tape

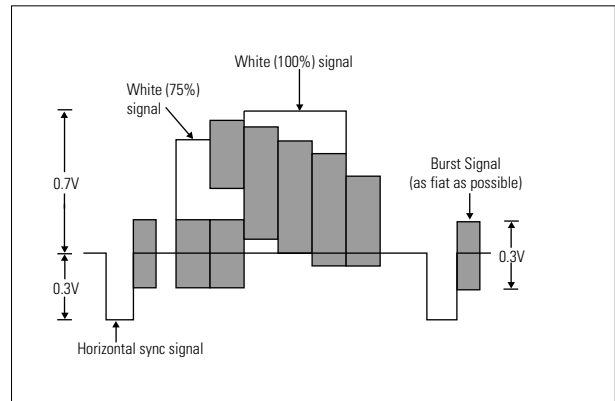


Fig. 4-5 Color bar signal of pattern generator

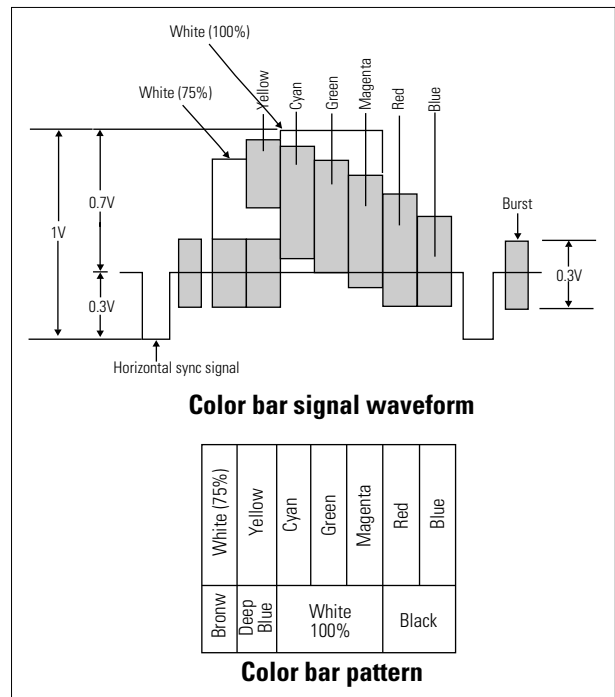
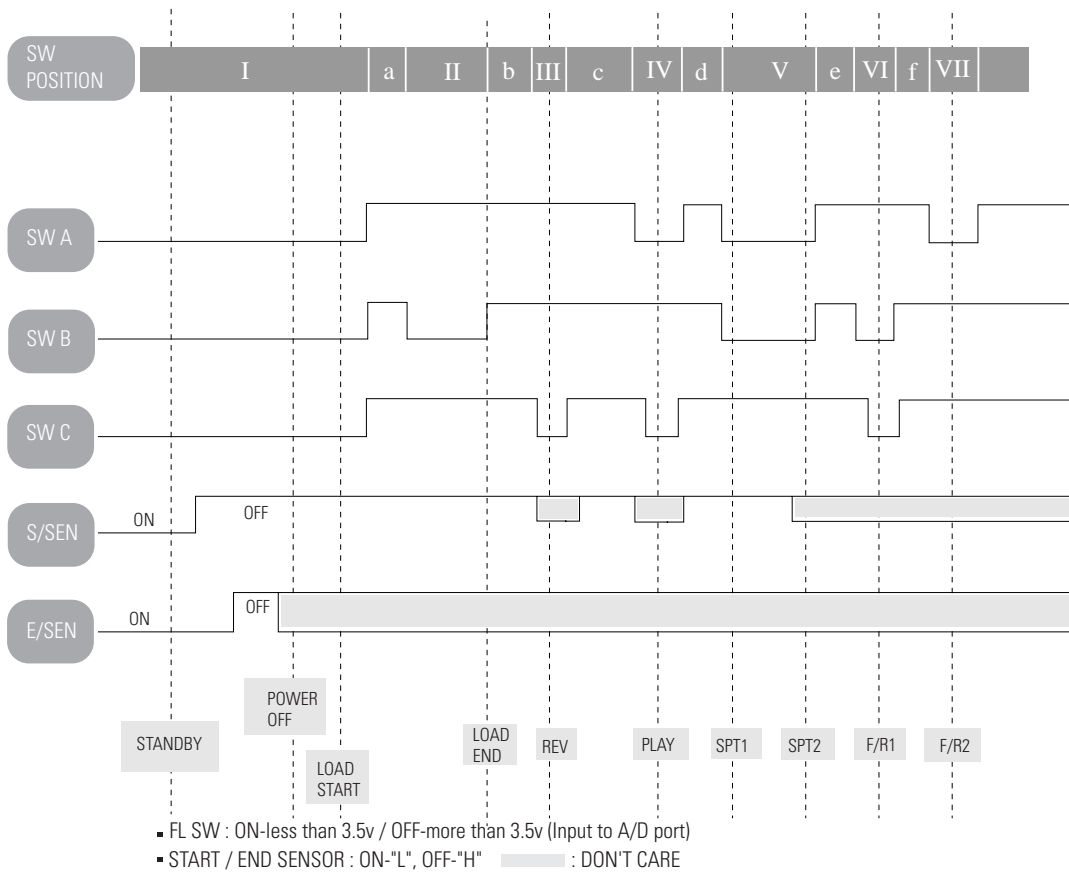


Fig. 4-6 Color bar signal of alignment tape (75% Color Bars)

### 4-5-3 PROGRAM SW



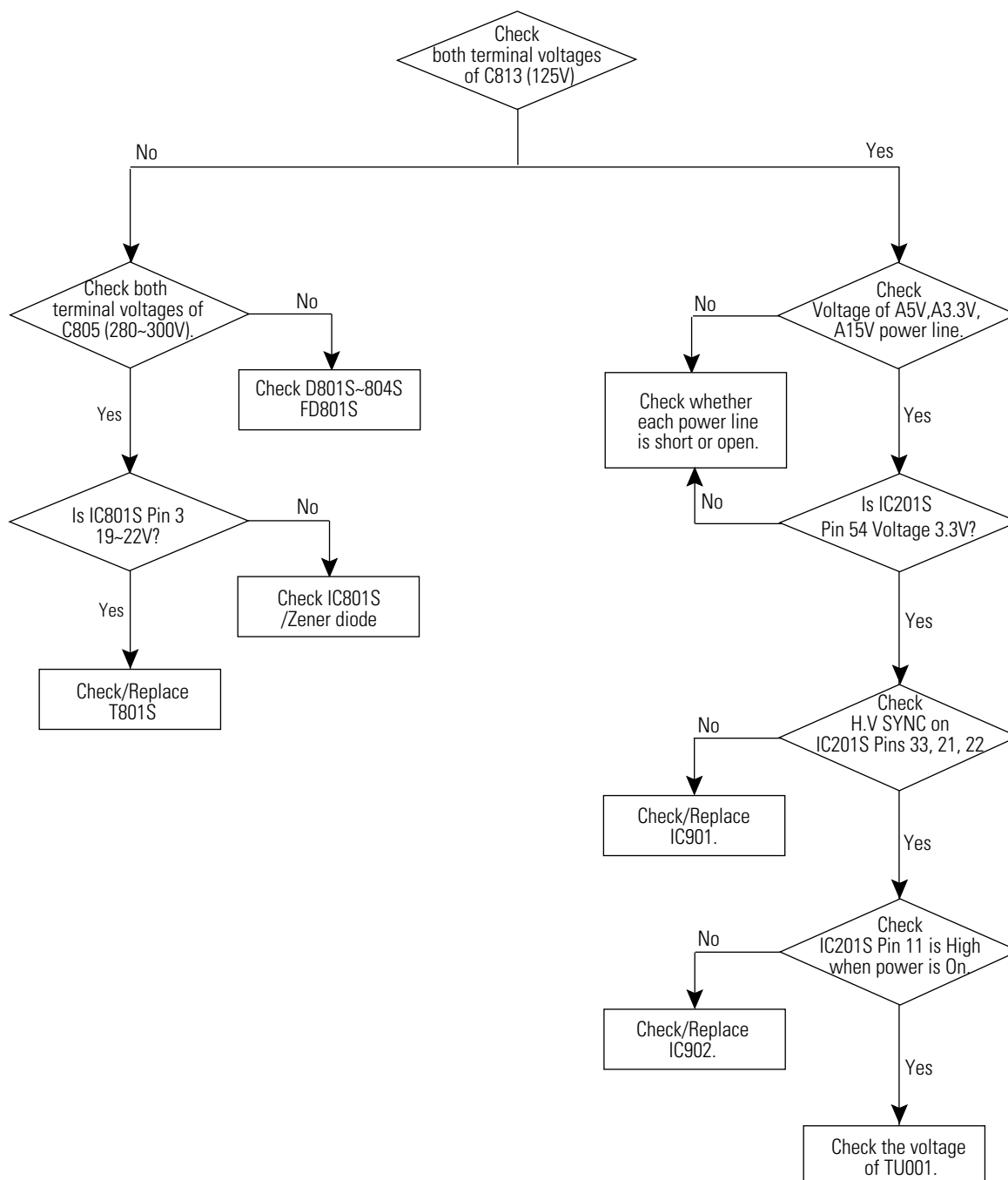
POSITION	PROGRAM S/W			TAPE SEN		OPERATION MODE
	A	B	C	S	F	
STANBY	0	0	0	0	0	Eject
POWER OFF	0	0	0	1	X	Unload POWER OFF
LOADING START	0	0	0	1	X	(Tape loading start point)
LOADING END	1	0 ->1	1	1	X	(Tape loading end point)
REV	1	1	0	X	X	Reverse Picture Search, Reverse SLOW
PLAY	0	1	0	X	X	Play, Rec,F-PS,Still,SLOW,F-ADV
STOP1	0	0	1	1	X	Stop (Play position 5 Min. over)
STOP 2	0	0	1	X	X	(MAIN Break ON MODE)
FF / REW 1	1	0	0	X	X	High speed Rew, Low speed FF
FF / REW 2	0	1	1	X	X	High speed FF, Low speed Rew

**X : DON'T CARE**



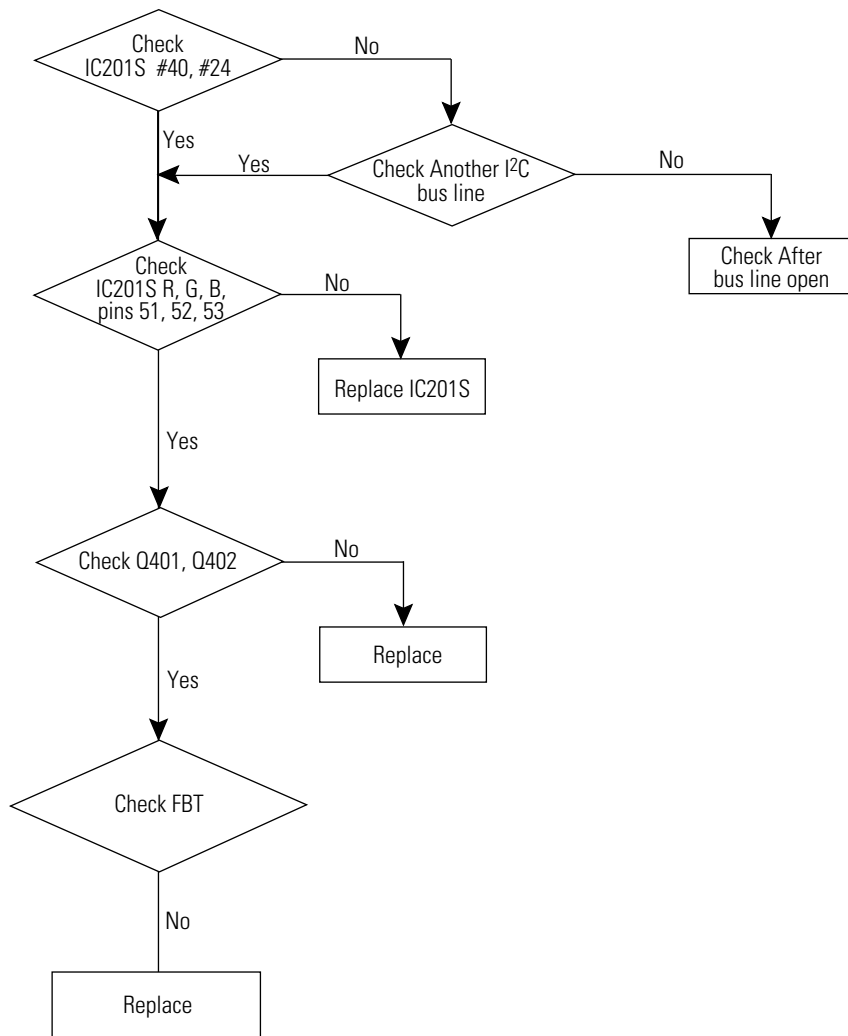
## 5. Troubleshooting

### 5-1 No Power (No Picture on)



## 5-2 No RF Picture / Sound

---



### **5-3 No Picture (Sound OK)**

---

1. Check the Brightness, Contrast and Color adjustments
2. Check: AV Picture, Video Playback
3. See Video Block Diagram

### **5-4 No Sound (Picture OK)**

---

1. Check the Volume adjustment level.
2. Check AV Video, Sound Playback
3. See Audio Block Diagram

### **5-5 RF Weak Signal (Playback, AV Mode OK)**

---

1. Check Tuner (TU01S) B+. Check : 9V, 33V, 5V (CN802A)

### **5-6 Recording Defect**

---

1. CN802A Check : Retouch
2. 2nd Tuner (TU02S) B+. Check : 33V(LT02)  
5V (JTV501)
3. 2nd If : Check 5V (ICT01), Video out, Audio out
4. Video Defect : IC701 Check
5. Audio Defect : IC701 Check
6. Standby Recording Defect, ICM601 #42 Line:
7. VPS (PDC) Recording Defect: Check ICP01, #5, #27, #24, #2

## **5-7 No Color**

---

1. Check the Color Adjustment level
2. Check the Sandcastle Pulse Line : IC201S #34
3. Check the R-Y, B-Y Line : IC201S #51~#53

## **5-8 No Vertical SCAN**

---

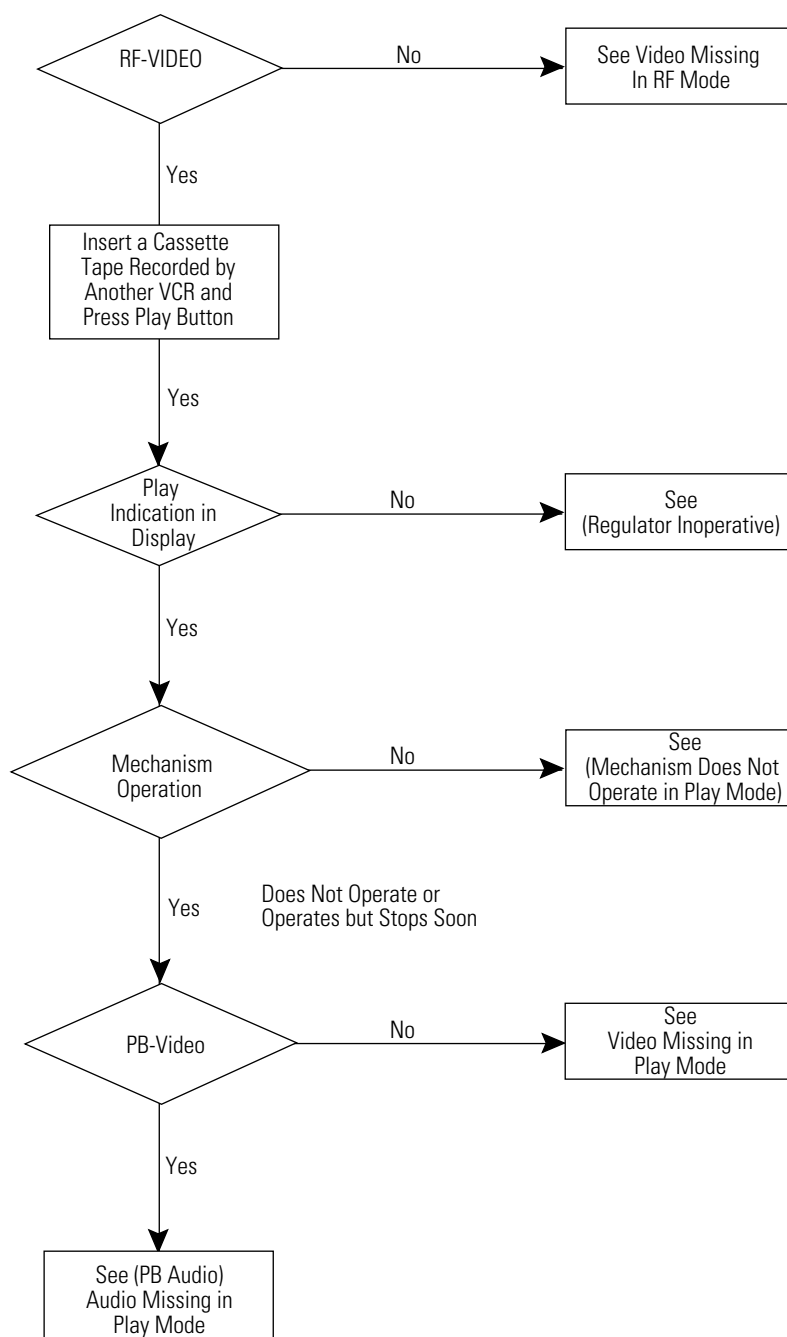
1. Check L301, L302, C310
2. Check IC301, #2
3. Check IC201S #21, #22
4. Check DY Connector

## **5-9 Horizontal Size**

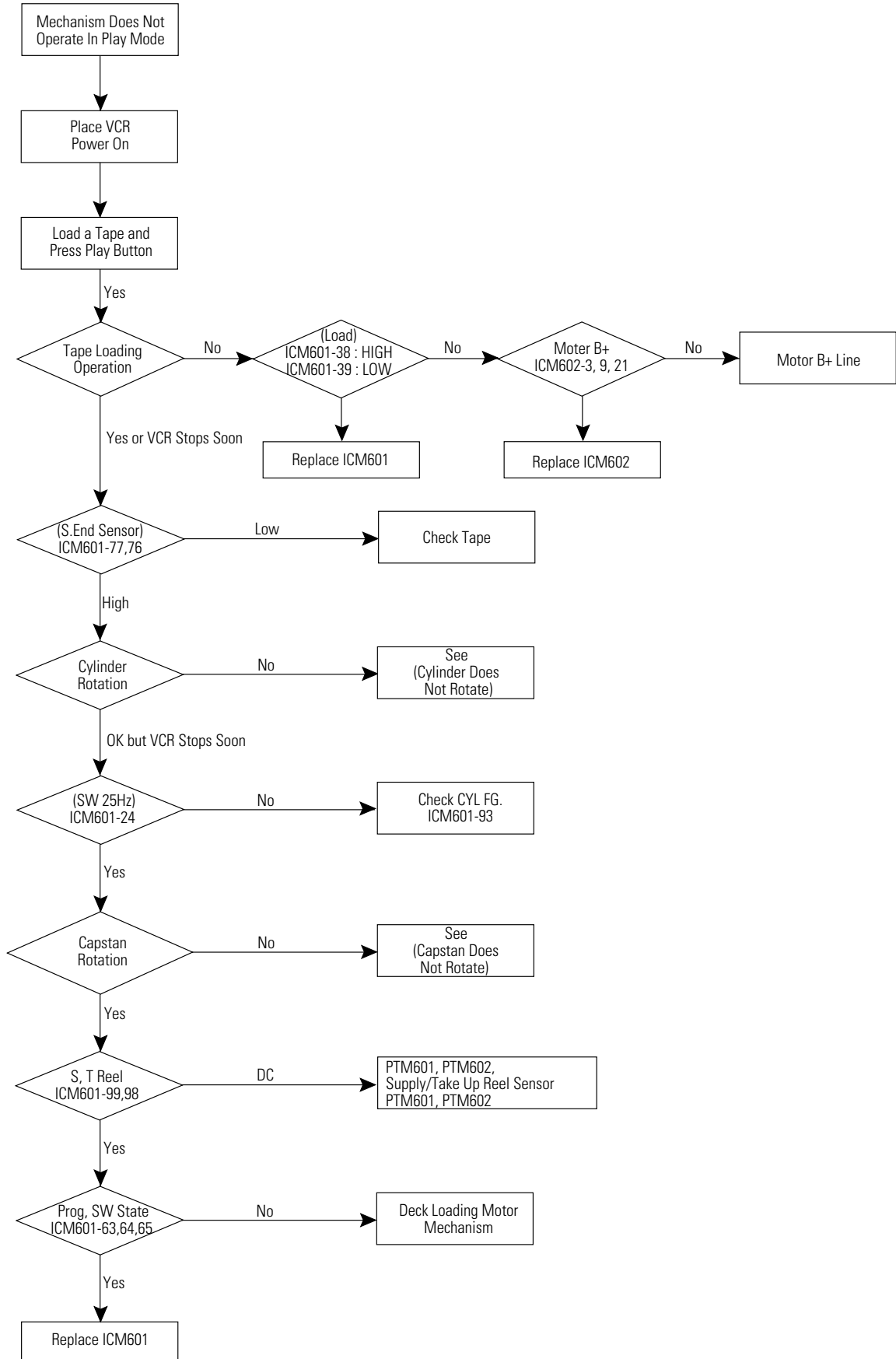
---

1. Check LR401S, L402, CR402S

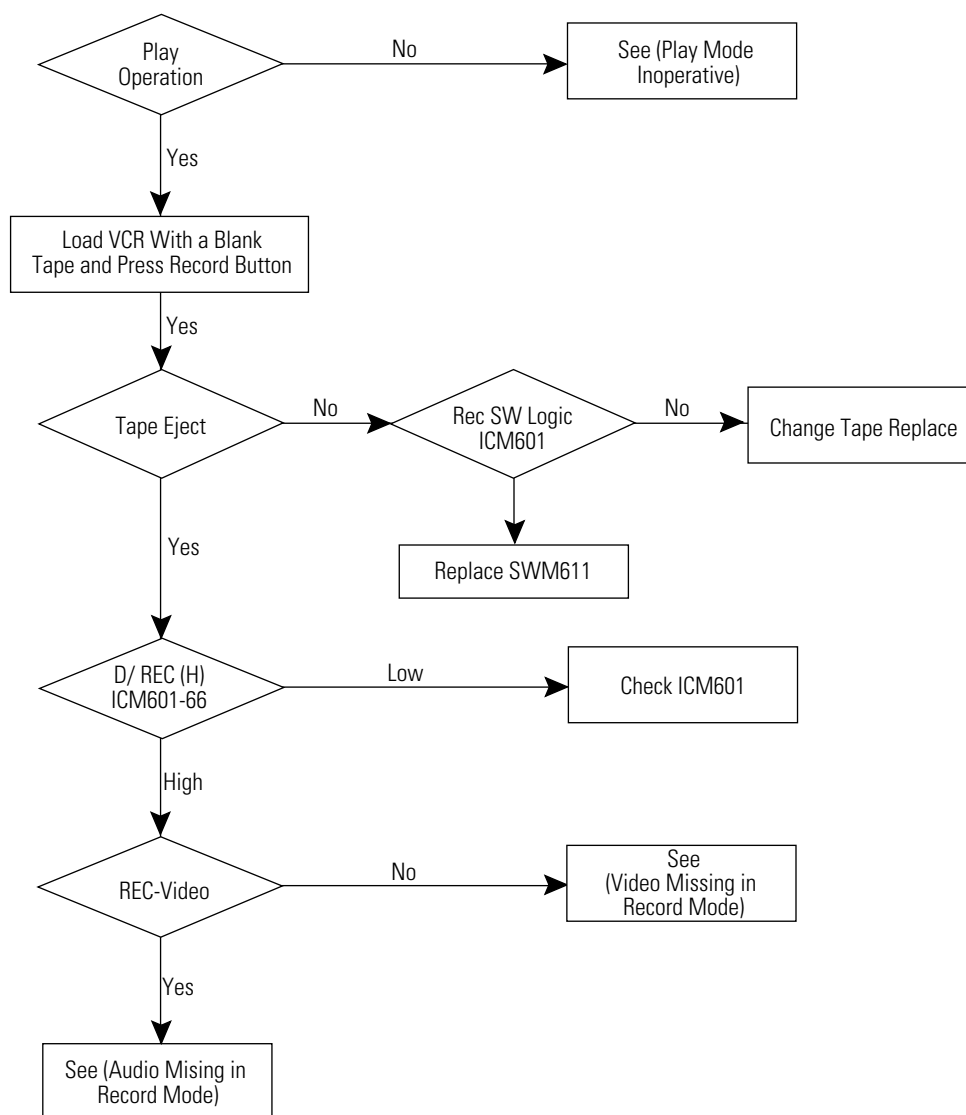
## 5-10 Play Mode Inoperative



## 5-11 Mechanism Does Not Operate In Play Mode

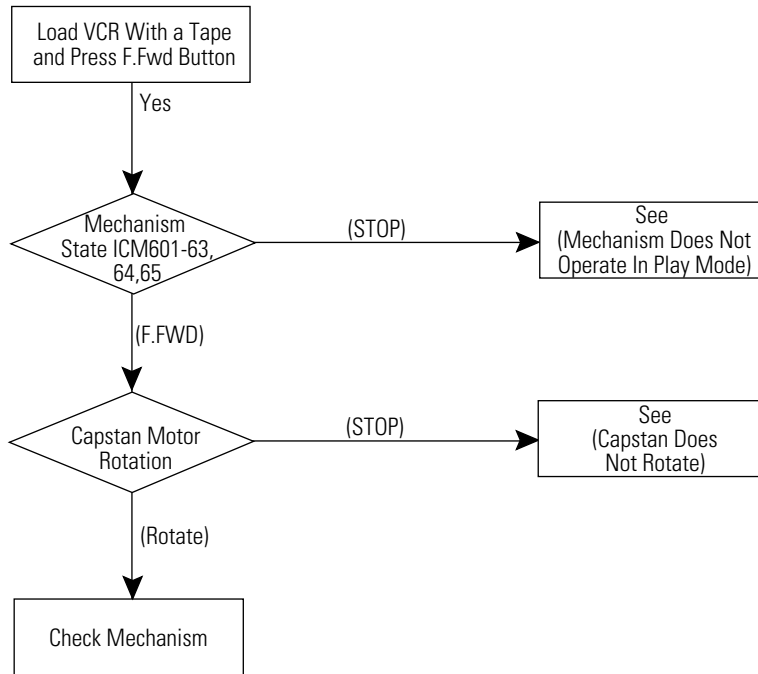


## 5-12 Record Mode Inoperative



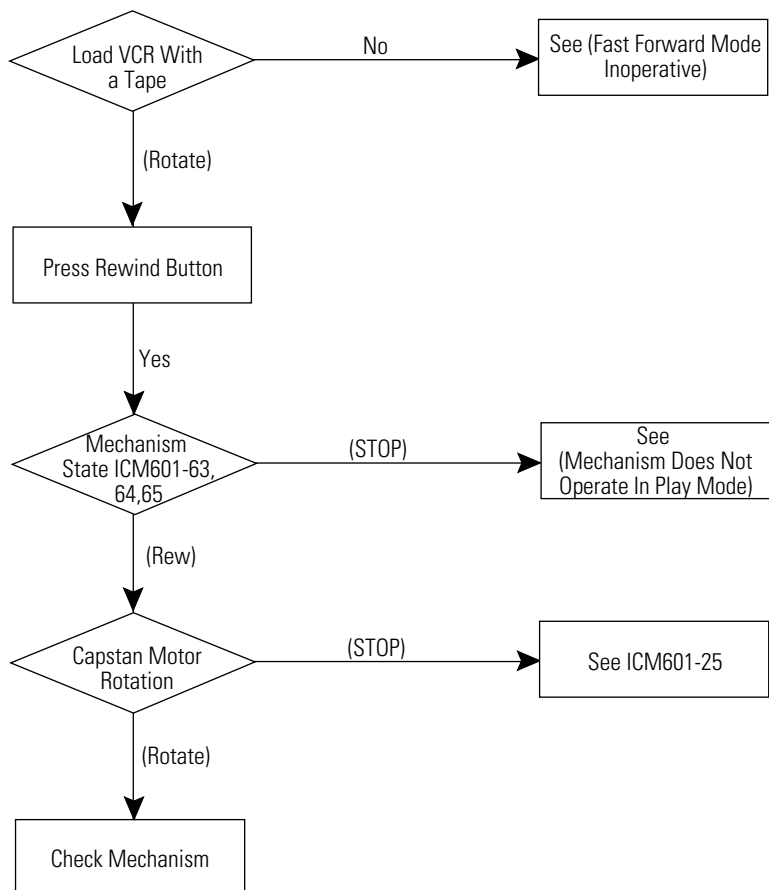
### 5-13 Fast Forward Mode Inoperative

---



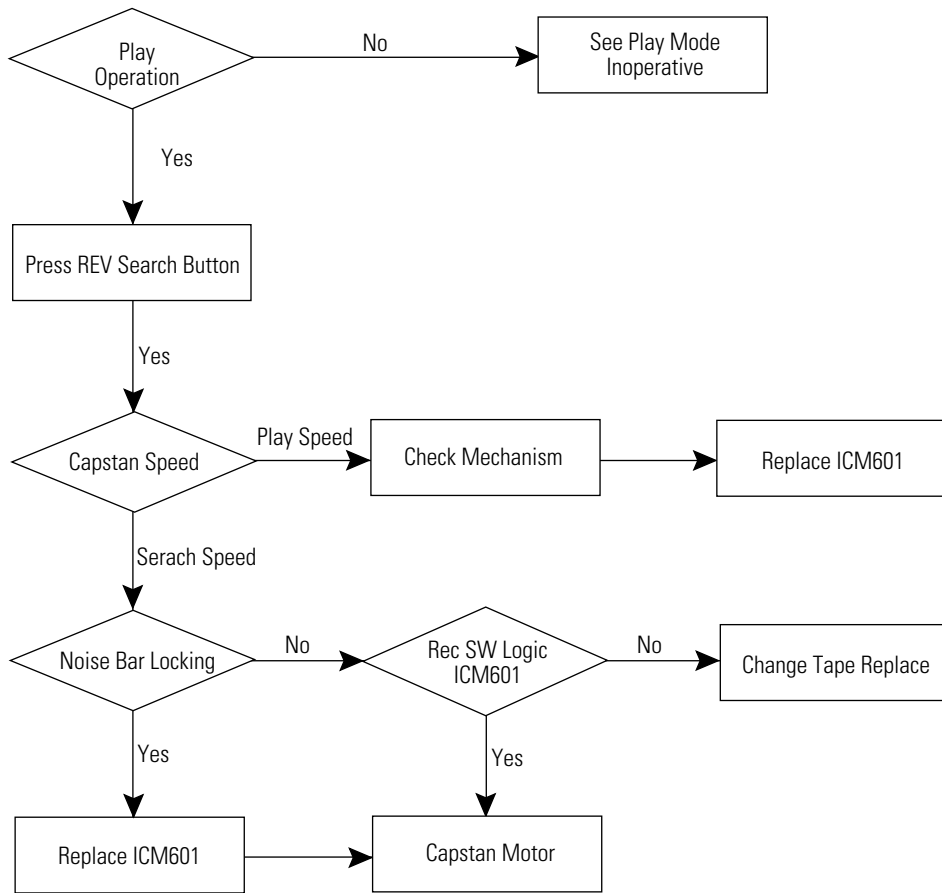


## 5-14 Rewind Mode Inoperative

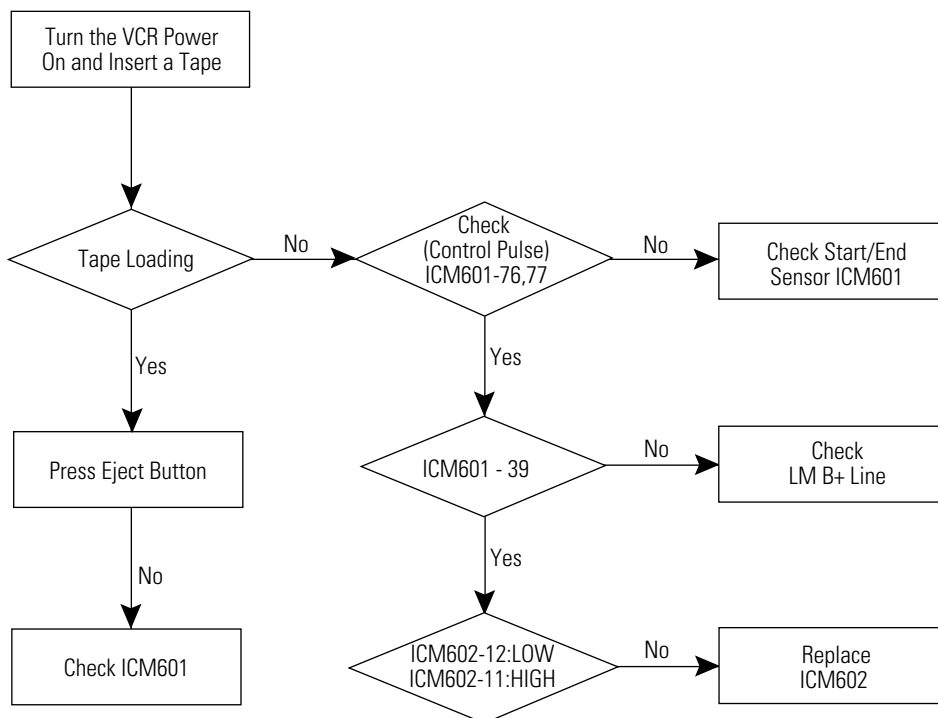


## 5-15 Rev Search Mode Inoperative

---

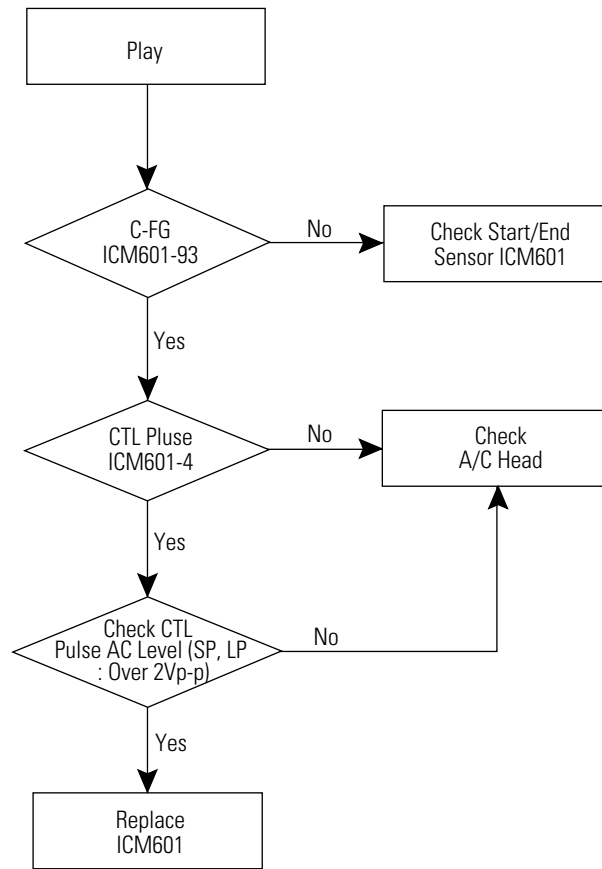


## 5-16 Cassette Loading Mechanism Does Not Operate

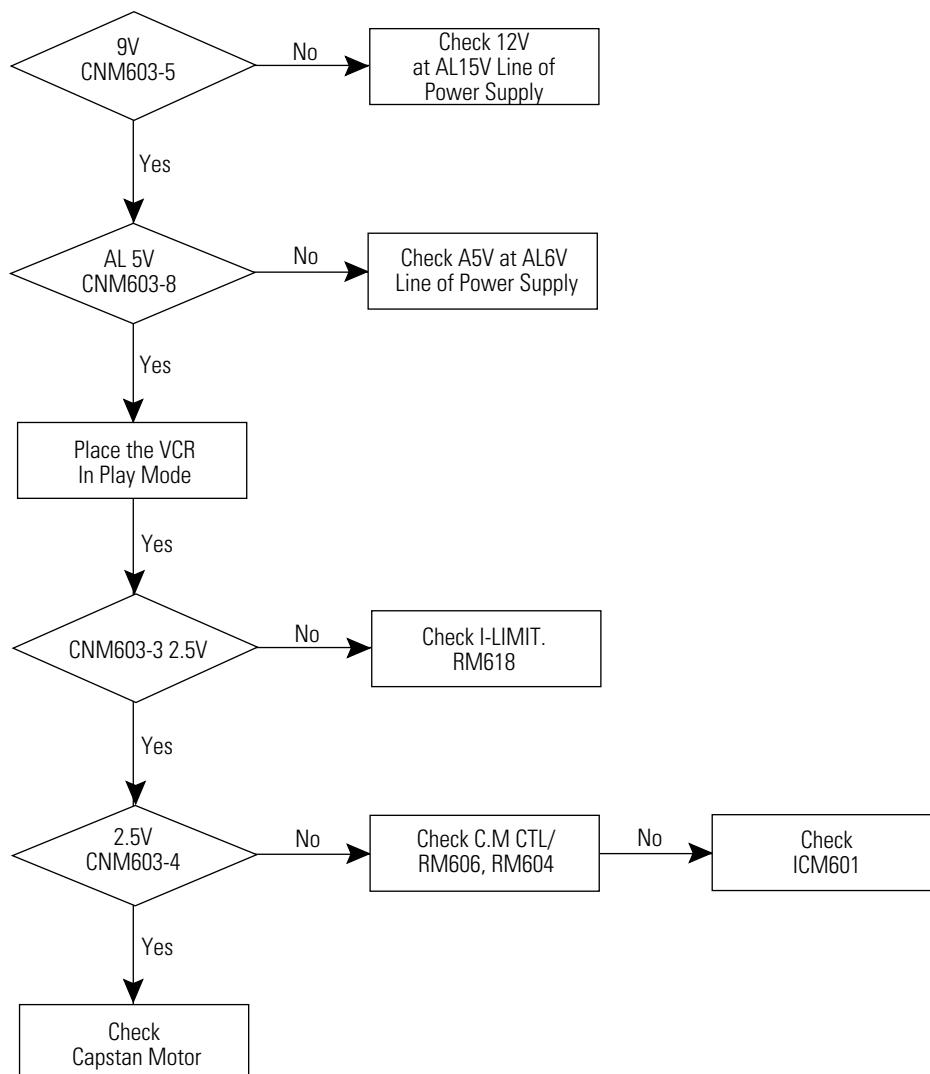


## 5-17 No Servo Lock

---

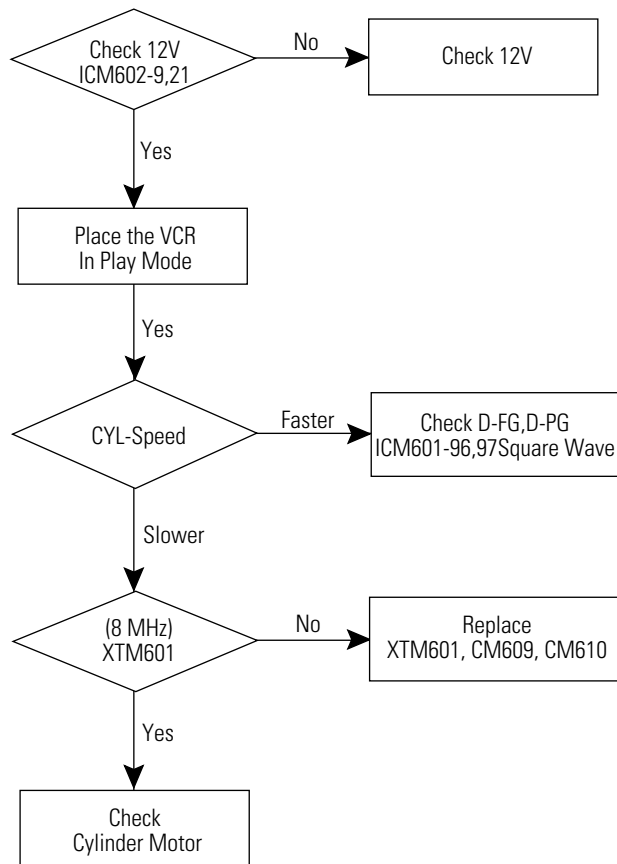


## 5-18 Capstan Does Not Rotate

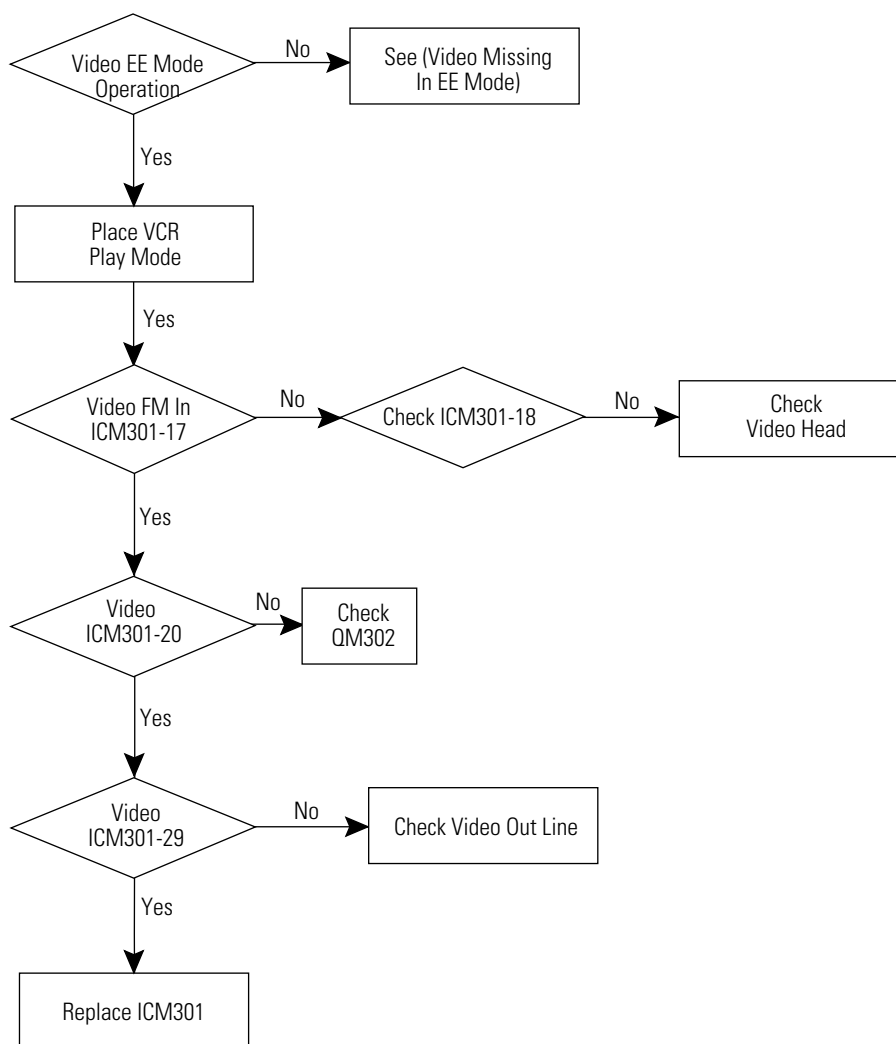


## 5-19 Drum Does Not Rotate

---

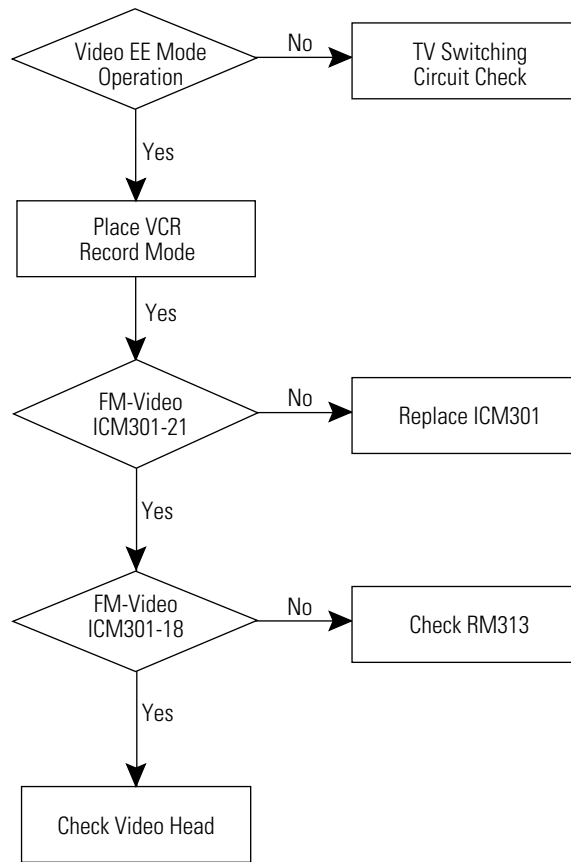


## 5-20 Video Missing In Play Mode



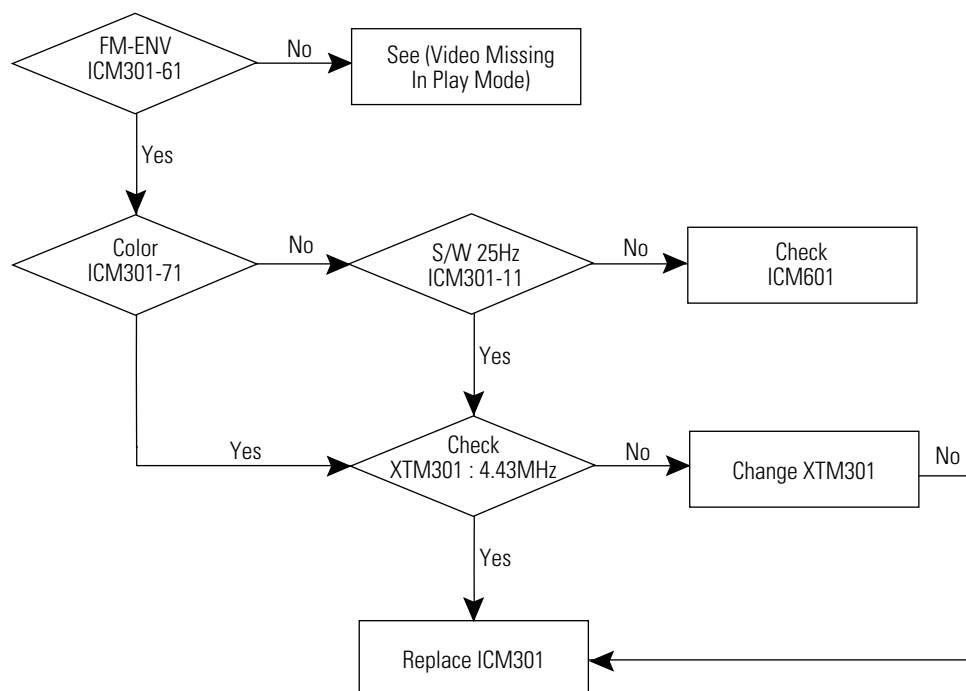
## 5-21 Video Missing In Record Mode

---



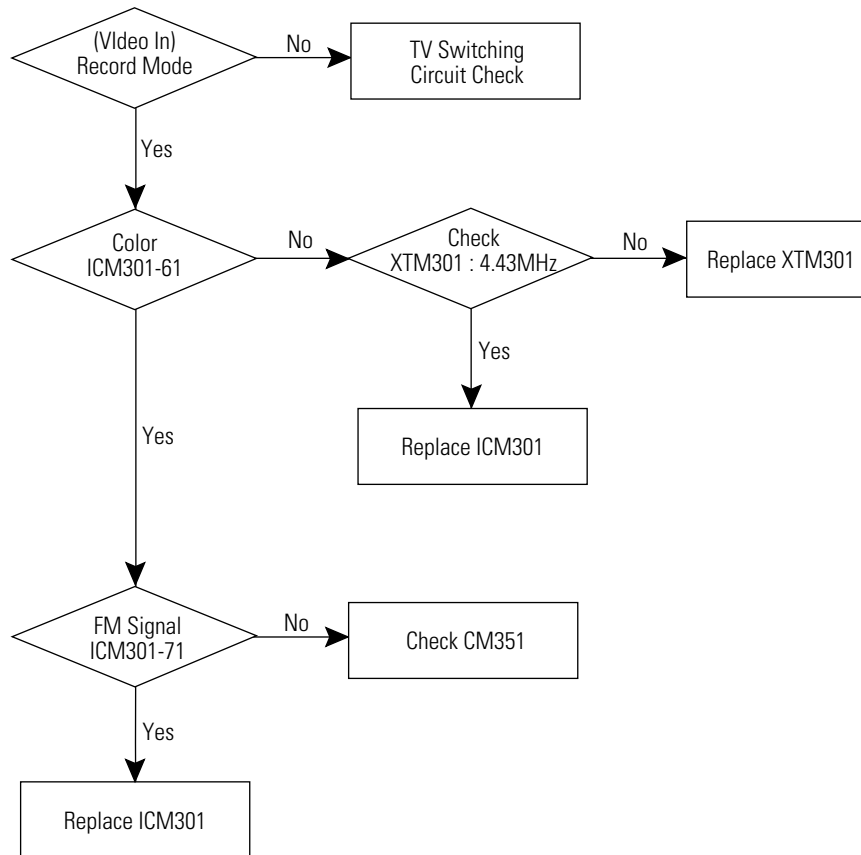


## 5-22 Color Missing In Play Mode

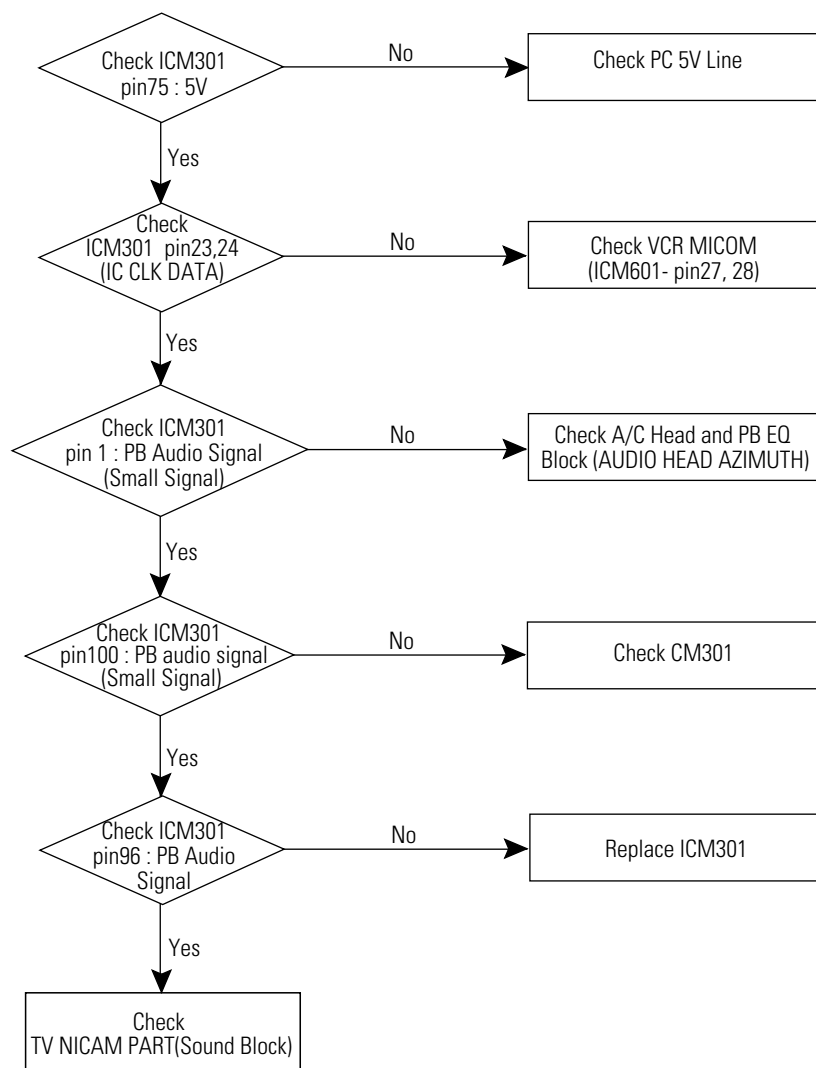


## 5-23 Color Missing In Record Mode

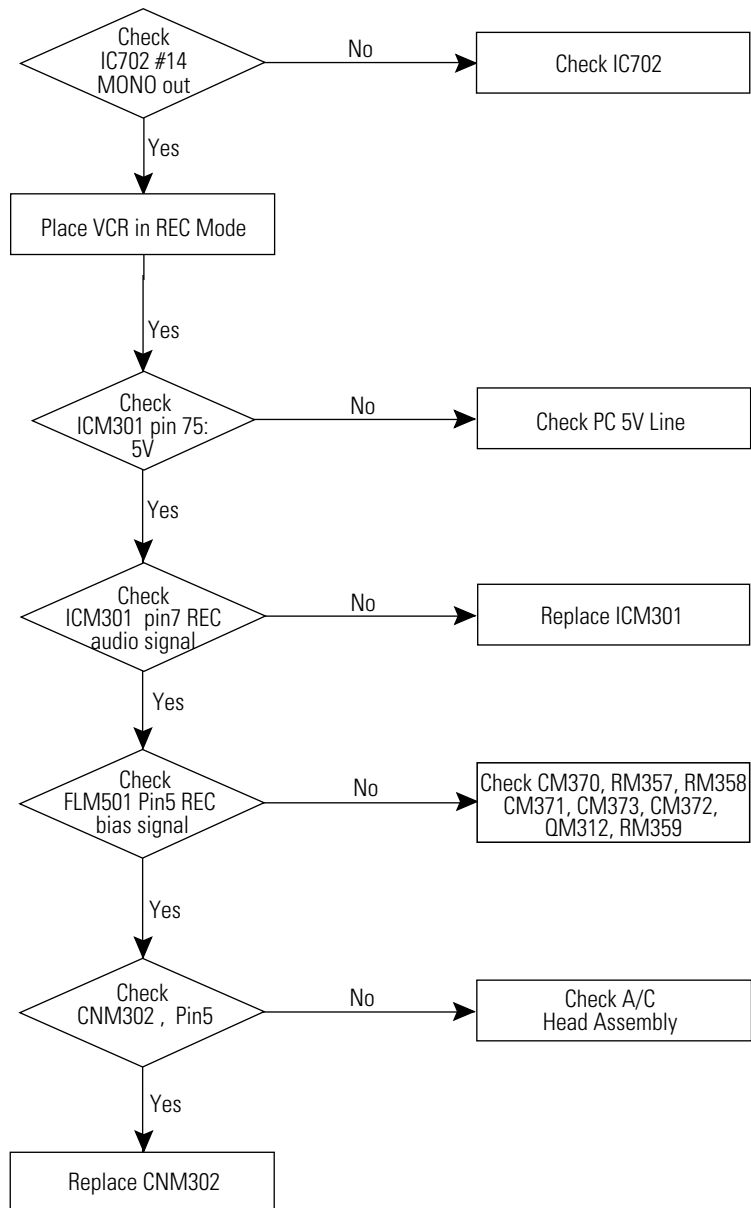
---



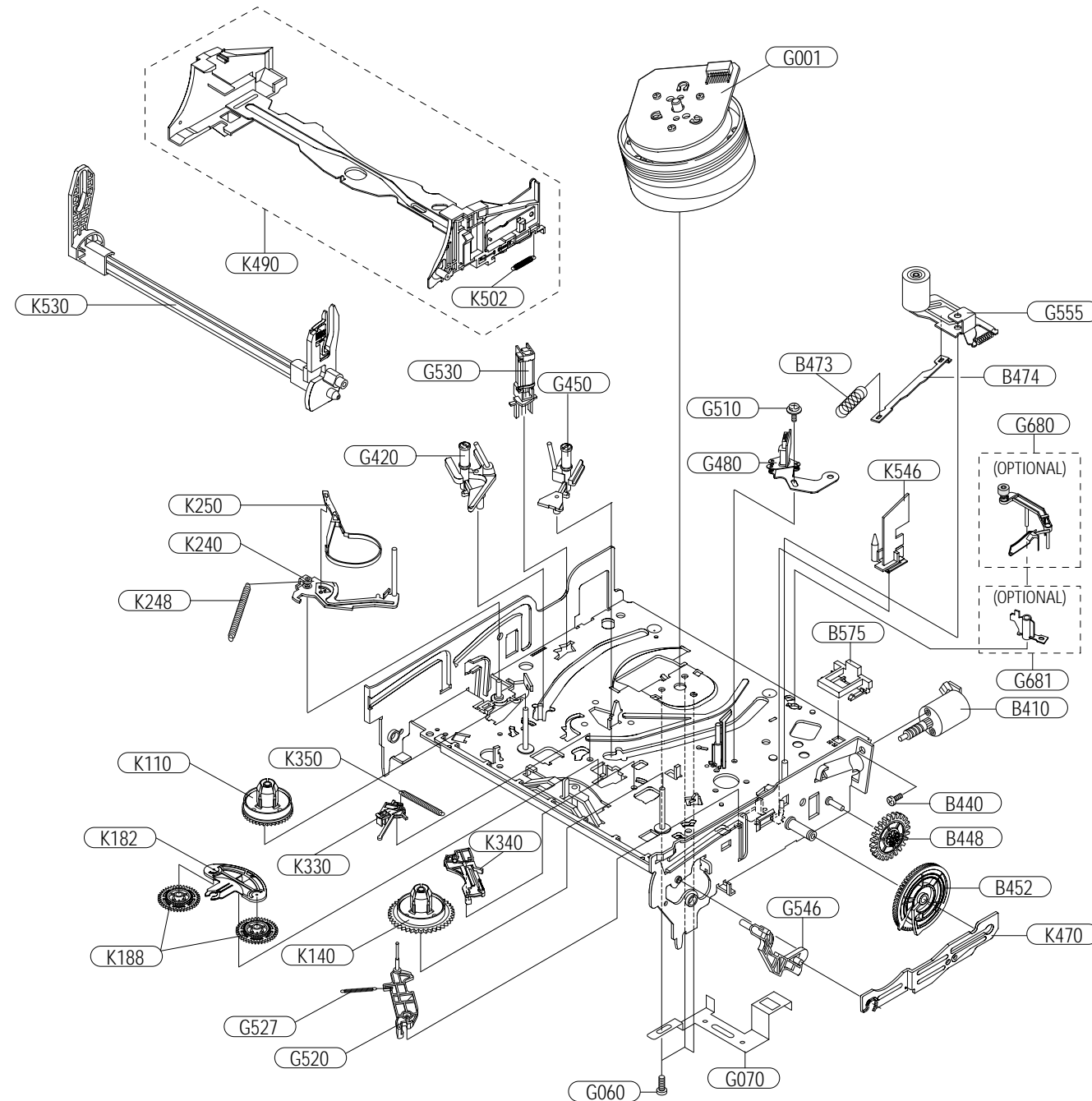
## 5-24 Audio Signal Missing in Play Mode (MONO MODE)



## 5-25 Audio Signal Missing After Recording (MONO MODE)

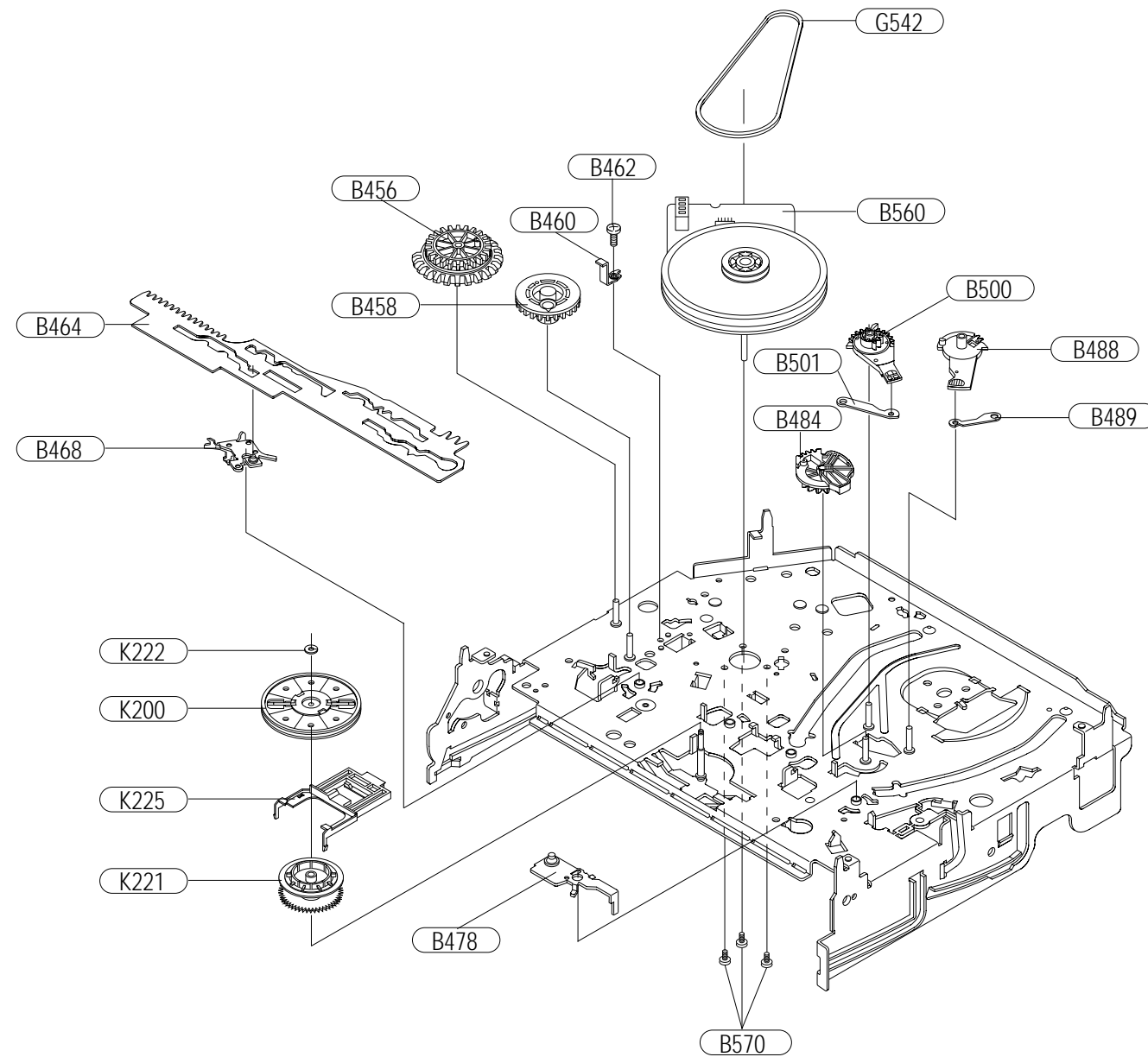


### 6-4 Mechanical Parts (Top Side)



Loc. No	Parts No.	Description ; Specification	Remark
B410	AC31-00012A	MOTOR-LOADING ASSY;-;TS-10,-,-,-,-,-,-,-	
B440	AC60-10515A	SCREW-MACHINE;-;PH,+,-;M3,L3,ZPC,-;YEL	
B448	AC66-00008A	GEAR-WORM WHEEL;TS-10,POM,0.8,40,-;NAT,3	
B452	AC66-00011A	GEAR-FL CAM;TS-10,POM,0.8,59,-;BLK,48.48	
B473	AC61-00105A	SPRING-PINCH DRIVE;TS-10,SUS304-WPB,-,-,	
B474	AC61-30180A	PLATE-JOINT;-;SECC20/20,T0.8,-;X-9	
B575	AC47-00002A	DAMPER-CAPSTAN;TS-10,POM,-,-,BLACK	
G001	AC97-01212A	ASSY-CYLINDER;PALCTS10,4HD/DLC	
G060	6006-001092	SCREW-ASS? MACH;WS,PH,+;M3.0,L6.0,ZPC(Y	
G070	AC61-00161A	PLATE-GROUND DECK;TS-10,SPT,TO.3,-	
G420	AC66-80142A	SLIDER-SUPPLY ASSY;-;X-9(TS),-,-,-;X-9	
G450	AC66-80141A	SLIDER-TAKE UP ASSY;-;X-9(TS),-,-,-;X-9	
G480	AC33-00009A	HEAD-ACE ASS?;-;PPS,TS-10,-,-	
G510	6006-001075	SCREW-ASS? TAPT;WSP,PH,+;M2.6,L5.0,ZPC(	
G520	AC66-00033A	LEVER-#9 GUIDE ASS?;TS-10,-,-,-,-,-,-,-	
G527	AC61-60553A	SPRING-#9 GUIDE;-;ES,SUS304-WPB,OD3.1,0.	
G530	AC33-00007A	HEAD-FE;-;HVFHPO043A,-,-	
G546	AC66-00005A	LEVER-FL DOOR;TS-10,POM,-,-,-,-;NAT,-	
G555	AC66-00032A	LEVER-UNIT PINCH ASS?;TS-10,-,-,-,-,-,-,-	
G680	AC66-00046A	LEVER-HEAD CLEANER ASS?;TS-10,POM+URETH	
G681	AC61-50686A	SLEEVE-HEAD CLEANER;-;POM,-,-,-,-,-;TS	
K110	AC66-10267A	REEL-DISK S;X-9,POM,-,-,-,-,-,-,-	
K140	AC66-10268A	REEL-DISK T;X-9,POM,-,-,-,-,-,-,-	
K182	AC66-30524A	LEVER-IDLER;-;POM,-,-,-,-,-,-,-	
K188	AC66-00039A	GEAR-IDLE;TS-10,PET K3372,0.5,-,-;NTR,28	
K240	AC66-00035A	LEVER-TENSION ASS?;TS-10,SECC E20/20+SU	
K248	AC61-00107A	SPRING-TENSION LEVER;TS-10,SUS304-WPB,-,-,	
K250	AC69-00104A	BAND-BRAKE ASS?;TS-10,-,-,-,-,-,-,-	
K330	AC66-30550A	LEVER-S.BRAKE ASSY;-;POM+SUS,-,-,-;X-9	
K340	AC66-30549A	LEVER-T.BRAKE ASSY;-;POM+SUS,-,-,-;X-9	
K350	AC61-00106A	SPRING-BRAKE;TS-10,SUS304-WPB,-,-,-,-,-,	
K470	AC66-00020A	SLIDER-FL DRIVE;TS-10,SECC E20/20,1.0,-,-,	
K490	AC61-00120A	HOLDER-FL CASS. ASS?;TS-10,-,-,-,-,-,-,-	
K502	AC61-60561A	SPRING-FL.LEVER-LR;-;ES,SUS304 WPB,PI2.7	
K530	AC66-00034A	LEVER-FL ARM ASS?;TS-10,-,-,-,-,-,-,-	
K546	AC61-50658A	GUIDE-CASS. DOOR;X-9,POM,-,-;NTR,-,-	

6-5 Mechanical Parts (Bottom Side)



Loc. No	Parts No.	Description ; Specification	Remark
B456	AC66-00009A	GEAR-JOINT 1;TS-10,POM,1.5,17.5(22),-,NA	
B458	AC66-00012A	GEAR-JOINT 2;TS-10,POM,1.0,23,-,BLK,24.6	
B460	AC61-00090A	BRACKET-GEAR;TS-10,0.8,-,-	
B462	AC60-10517A	SCREW-TAP TITE;- ,PH,+,-,M2.6,L5,ZPC,-,YE	
B464	AC66-00019A	SLIDER-CAM;TS-10,SECC E20/20,1.2,-,-,-,-	
B468	AC66-00017A	LEVER-PINCH DRIVE;TS-10,SECC E20/20,1.0	
B478	AC66-00016A	LEVER-TENSION DRIVE;TS-10,SECC E20/20,1	
B484	AC66-00030A	GEAR-LOADING DR. ASS?;TS-10,POM+SWPB,-,	
B488	AC66-00023A	LEVER-S LOADING;TS-10,POM,-,-,-,-,NAT,-	
B489	AC66-00021A	LINK-LOADING S;TS-10,SECC E20/20,0.8,-,-	
B500	AC66-00024A	LEVER-T LOADING;TS-10,POM,-,-,-,-,NAT,-	
B501	AC66-00022A	LINK-LOADING T;TS-10,SECC E20/20,0.8,-,-	
B560	AC31-00010A	MOTOR-CAPSTAN;- ,SANKYO,-,-	
B570	AC60-10514A	SCREW-CAPSTAN;- ,PH,+ ,M2.6,L6,-	
G542	AC66-60051A	BELT-PULLEY;- ,5CM-70,2 * 2,- ,71.3,- ,X-9	
K200	AC61-21012A	HOLDER-CLUTCH ASSY;- ,,-,-,-,-,X-9	
K221	AC66-20581A	GEAR-CENTER ASSY;- ,POM,M=0.5,- ,HIGHT T.,	
K222	AC60-30306A	WASHER-SLIT;- ,-,ID2.1,OD5.0,T0.5,- ,POLYS	
K225	AC66-00006A	LEVER-UP DOWN;TS-10,POM,-,-,-,-,NAT,-	

## 7. Electrical Parts List

### 7-1 TI21B4DF4X/XEU

Loc. No.	Code No.	Description ; Specification	Remark	Loc. No.	Code No.	Description ; Specification	Remark
<b>ASSY CHASSIS</b>							
1	AA91-05521C	ASSY CHASSIS;TI21B4DF4X/XEU,C17A,EU,SEB&		4	6003-000333	SCREW-TAPTITE:RH,+,2S,M3,L10,ZPC(YEL),SW	
2	AA94-11761A	ASSY PCB MISC-A/V;TB20A54X/XSA,C17A		4	AA62-30171J	HEAT SINK-ES:-,-,-,SILVER,-,DREAM1,-,-,-	
3	0202-000008	SOLDER-WIRE:S63S-W3.0,S63S,D3,63Sn/37Pb,		3	Q813	AA96-50305D ASSY H/S:-,POWER,AA62-30012E,KSD73Y,STY	
3	0202-000187	SOLDER-WIRE FLUX:-,RS60S,D1.2,63Sn/37Pb		4	0502-000298	TR-POWER:KSD73,NPN,3000mW,TO-220,TP,12	
3	0204-001095	THINNER:#4520,-,-,-		4	6003-000333	SCREW-TAPTITE:RH,+,2S,M3,L10,ZPC(YEL),SW	
3	0202-001046	FLUX:CF-110VH-2A,-,-,-,-		4	AA62-30012E	HEAT SINK-ES:-,A6063 EXTR,-,-,-,TO-220 H55	
3	JA03	3722-000145 JACK-PHONE:1P,3.6PI,MBAG,BLK,-		3	AA97-13462A	ASSY AUTO-POWER:C17A,21,EU,SEB&SDIHU,54	
3	JA02	3722-001342 JACK-PIN:1P,3.4MM,NI,YEL,-		4	D822	0401-000005 DIODE-SWITCHING:1N4148,100V,200mA,DO-35,	
3	JA01	3722-001343 JACK-PIN:1P,3.4MM,NI,WHT,-		4	D823	0401-000005 DIODE-SWITCHING:1N4148,100V,200mA,DO-35,	
3	CN701B	AA39-20461C LEAD CONNECTOR-ASSY:,11P,YBNH250-11,6709		4	D825	0401-000005 DIODE-SWITCHING:1N4148,100V,200mA,DO-35,	
3	AA97-12473A	ASSY AUTO-A/V;TB20A54X/XSA,C17A		4	D827	0401-000005 DIODE-SWITCHING:1N4148,100V,200mA,DO-35,	
4	RY701	2001-000958 R-CARBON:7500HM,5%,1/8W,AA,TP,1.8X3.2MM		4	D811	0401-000005 DIODE-SWITCHING:1N4148,100V,200mA,DO-35,	
4	RY702	2001-000958 R-CARBON:7500HM,5%,1/8W,AA,TP,1.8X3.2MM		4	D812	0401-000005 DIODE-SWITCHING:1N4148,100V,200mA,DO-35,	
4	CY702	2202-000121 C-CERAMIC,MLC-AXIAL:100pF,10%,50V,Y5P,TP		4	D816	0401-000005 DIODE-SWITCHING:1N4148,100V,200mA,DO-35,	
4	LY702	2701-000114 INDUCTOR-AXIAL:10uH,10%,2.5x3.4mm		4	D820	0401-000005 DIODE-SWITCHING:1N4148,100V,200mA,DO-35,	
4	LY701	2701-000116 INDUCTOR-AXIAL:10uH,10%,4.2x9.8mm		4	D806	0401-000006 DIODE-SWITCHING:BAV21,250V,250mA,DO-35,T	
4	AA41-00546A	PCB-A/V MONO:TF21B5S,FR-1,1L.A.1.6T,330X		4	D815	0402-000132 DIODE-RECTIFIER:1N4004,400V,1A,DO-41,TP	
2	AA94-12226A	ASSY PCB POWER:C17A,21,EU,SEB&SDIHU,548		4	D301	0402-000132 DIODE-RECTIFIER:1N4004,400V,1A,DO-41,TP	
3	0202-000008	SOLDER-WIRE:S63S-W3.0,S63S,D3,63Sn/37Pb,		4	D828	0402-000132 DIODE-RECTIFIER:1N4004,400V,1A,DO-41,TP	
3	0202-000187	SOLDER-WIRE FLUX:-,RS60S,D1.2,63Sn/37Pb		4	D405	0402-000132 DIODE-RECTIFIER:1N4004,400V,1A,DO-41,TP	
3	0204-001095	THINNER:#4520,-,-,-		4	D809	0402-000132 DIODE-RECTIFIER:1N4004,400V,1A,DO-41,TP	
3	0202-001046	FLUX:CF-110VH-2A,-,-,-,-		4	D814	0402-000493 DIODE-RECTIFIER:1R5GU41,400V,1.5A,DO-15L	
3	Q401	0502-001115 TR-POWER:KSC5386,NPN,50W,TO-3PF,ST,8-		4	D404	0402-000534 DIODE-RECTIFIER:RG10V,400V,1.2A,DO-201,T	
3	PC801S	0604-001038 PHOTO-COUPLER:TR,130-260%,200mW,DIP-4,ST		4	D808	0402-001105 DIODE-RECTIFIER:ERB43-04SV1,400V,1.0A,-,-	
3	PT801S	1404-000002 THERMISTOR-PTC:9ohm,20%,-,-,TR,RECT,-		4	D403	0402-001105 DIODE-RECTIFIER:ERB43-04SV1,400V,1.0A,-,-	
3	NT801S	1404-001045 THERMISTOR-NTC:4.7ohm,15%,2900K,35.0mW,T		4	D402	0402-001105 DIODE-RECTIFIER:ERB43-04SV1,400V,1.0A,-,-	
3	CY801S	2201-000446 C-CERAMIC,DISC:3.3nF,20%,400V,Y5U,TP,15x		4	D804S	0402-001111 DIODE-RECTIFIER:1N5397GP,600V,1.5A,DO-20	
3	CR402S	2306-000350 C-FILM,MPPF:270NF,5%,400V,TP,26X18.5X10M		4	D803S	0402-001111 DIODE-RECTIFIER:1N5397GP,600V,1.5A,DO-20	
3	CX801S	2306-000318 C-FILM,MPPF:220nF,20%,250V,TP,-,22.5mm		4	D802S	0402-001111 DIODE-RECTIFIER:1N5397GP,600V,1.5A,DO-20	
3	CR410S	2303-001015 C-FILM,PPF:5.5nF,5%,1.6kV,TP,29x9.5x17,2		4	D801S	0402-001111 DIODE-RECTIFIER:1N5397GP,600V,1.5A,DO-20	
3	C805	2401-000534 C-AL:150uF,20%,400V,GP,ST,25x30,10		4	D807	0402-001443 DIODE-RECTIFIER:EGP20K,800V,2A,DO-15,TP	
3	RL801S	3501-001040 RELAY-POWER:12VDC,500mW,10A,1FormA,15mS,		4	DZ401	0403-000508 DIODE-ZENER:MTZJ5.6B,5.6V,5.45-5.73V,500	
3	CN502A	3711-002643 CONNECTOR-HEADER:BOX,4P,1R,2.5mm,STRAIGH		4	DZ807	0403-000699 DIODE-ZENER:TZP27B,27V,27-30.8V,1W,DO-41	
3	CN801B	3711-002645 CONNECTOR-HEADER:BOX,6P,1R,2.5mm,STRAIGH		4	DZ810	0403-000700 DIODE-ZENER:TZP33A,33V,31-35V,1W,DO-41,T	
3	CN802B	3711-003975 CONNECTOR-HEADER:BOX,14P,1R,2.5mm,STRAIG		4	DZ301	0403-000700 DIODE-ZENER:TZP33A,33V,31-35V,1W,DO-41,T	
3	PCB+SC	AA60-10008A SCREW-TAPPING:-,SWRCH18A,M3,L10,TH,-,-,-		4	DZ800	0403-000714 DIODE-ZENER:MTZJ3.B,3.3V,3.32-3.53V,500	
3	T801S	AA26-00163A TRANS SWITCHING:35B125-DM,V17A,SMV-20A5S		4	DZ805	0403-000714 DIODE-ZENER:MTZJ3.B,3.3V,3.32-3.53V,500	
3	T444S	AA26-00192A TRANS FBT;FTK-21H001,CTV,3.7MH,FERRITE,E		4	DZ804	0403-000720 DIODE-ZENER:MTZJ9.B,9.1V,8.57-9.01V,500	
3	T401	AA26-50001B TRANS-HORIZ.DRIVE:-,-,-,7.1mH,-,-,102uH,		4	DZ803	0403-001211 DIODE-ZENER:MTZJ12B,11.44-12.03V,500mW,D	
3	LR401S	AA27-00053A COIL LINEARITY:-,193uH,DR10X10,C:4.35,7,		4	DZ808	0403-001211 DIODE-ZENER:MTZJ12B,11.44-12.03V,500mW,D	
3	L402	AA27-00001N COIL HORIZ. WIDTH:-,90/260uH,SB-5S620,PI		4	DZ302	0403-001221 DIODE-ZENER:UZ39BSB,35.36-37.19V,500mW,D	
3	LX801S	AA29-30001C FILTER LINE NOISE:-,39mH,1.0A,-,-		4	DZ806	0403-001318 DIODE-ZENER:MTZJ4.3B,4.17-4.43V,500mW,DO	
3	GT101A	AA39-20010D LEAD CONNECTOR-ASSY:,1PYFH800-01,S,400,		4	DZ802	0403-001327 DIODE-ZENER:MTZJ18A,16.22-17.06V,500mW,D	
3	AA61-01045A	SUPPORT-PCB:DASS-T 9N,NYLON ,9.4,NTR		4	DZ304	0403-001328 DIODE-ZENER:MTZJ22A,20.15-21.20V,500mW,D	
3	AA63-00609A	SHIELD-CASE:DP,20P1,AA63-00518A		4	DZ301	0403-001328 DIODE-ZENER:MTZJ22A,20.15-21.20V,500mW,D	
3	AA65-30018A	CLAMPER CORE-WIRE:DONG-A,NYLON-66,-,-,-,-		4	DZ813	0403-001373 DIODE-ZENER:MTZJ5.1A,4.81V-5.07V,500mW,D	
3	AA65-30111A	CLAMPER CORE-WIRE:ALL MODEL,NYLON,VO,-,-,-		4	DZ812	0403-001373 DIODE-ZENER:MTZJ5.1A,4.81V-5.07V,500mW,D	
3	D810	AA96-00243D ASSY H/S:-,BRIDGE,AA62-00045A,D06U20S,D		4	Q810	0501-000362 TR-SMALL SIGNAL:KSA2328A-Y,NPN,1W,TO-92L	
4	0205-000129	GREASE-SILICON:SC102,JAPAN		4	Q811	0501-000362 TR-SMALL SIGNAL:KSA2328A-Y,NPN,1W,TO-92L	
4	0402-001374	DIODE-RECTIFIER:FFPF06U20S,200V,6A,TO-22		4	Q812	0501-000362 TR-SMALL SIGNAL:KSA2328A-Y,NPN,1W,TO-92L	
4	6003-000334	SCREW-TAPTITE:RH,+,2S,M3,L6,ZPC(YEL),SWR		4	Q402	0501-000369 TR-SMALL SIGNAL:KSC2331-Y,NPN,1000mW,TO-	
4	AA62-00065A	HEAT SINK-PS:DP,-,-,-,AA62-00045A,-,-,-,-		4	Q805	0501-000389 TR-SMALL SIGNAL:KSC815,NPN,400mW,TO-92,T	
3	Q803	AA96-00243G ASSY H/S:-,POWER,AA62-00045A,C2073-H2,V		4	Q806	0501-000398 TR-SMALL SIGNAL:KSC945,NPN,250mW,TO-92,T	
4	0205-000129	GREASE-SILICON:SC102,JAPAN		4	Q807	0501-000398 TR-SMALL SIGNAL:KSC945,NPN,250mW,TO-92,T	
4	0502-001007	TR-POWER:KSC2073-H2,NPN,25W,TO-220,ST,6		4	Q808	0504-000142 TR-DIGITAL:KSR2001,PNP,300MW,4.7K/4.7K,T	
4	6003-000334	SCREW-TAPTITE:RH,+,2S,M3,L6,ZPC(YEL),SWR		4	Q804	0504-000142 TR-DIGITAL:KSR2001,PNP,300MW,4.7K/4.7K,T	
4	AA62-00065A	HEAT SINK-PS:DP,-,-,-,AA62-00045A,-,-,-,-		4	Q801	1203-001217 IC-POSI.ADJUST REG.:431,TO-92,3P,4.58MIL	
3	IC301	AA96-00244A ASSY H/S:-,-,AA62-00046A,LA7840,-		4	VX801S	1405-000152 VARISTOR:560V,2500A,14x8.5mm,TP	
4	0205-000129	GREASE-SILICON:SC102,JAPAN		4	R301	2001-000016 R-CARBON(S):10HM,5%,1/2W,AA,TP,2.4X6.4MM	
4	1204-001483	IC-VERTICAL PROCESSO:LA7840,SIP,7P,708MI		4	R408	2001-000022 R-CARBON(S):330HM,5%,1/2W,AA,TP,2.4X6.4M	
4	6003-000334	SCREW-TAPTITE:RH,+,2S,M3,L6,ZPC(YEL),SWR		4	R829	2001-000028 R-CARBON(S):1000HM,5%,1/2W,AA,TP,2.4X6.4	
4	AA62-00064A	HEAT SINK-PS:DP,-,-,-,AA62-00046A,-,-,-,-		4	R825	2001-000028 R-CARBON(S):1000HM,5%,1/2W,AA,TP,2.4X6.4	
3	IC801S	AA96-00662B ASSY H/S:-,POWER,AA62-30171J,KASQ0765R,		4	R823	2001-000037 R-CARBON(S):3300HM,5%,1/2W,AA,TP,2.4X6.4	
4	0205-000129	GREASE-SILICON:SC102,JAPAN		4	R808	2001-000109 R-CARBON(S):4700HM,5%,1/2W,AA,TP,2.4X6.4	
4	1203-001932	IC-PWM CONTROLLER:SQ0765,TO-220F,5P,185M		4	R405	2001-000117 R-CARBON(S):680HM,5%,1/2W,AA,TP,2.4X6.4M	
4				4	R828	2001-000117 R-CARBON(S):680HM,5%,1/2W,AA,TP,2.4X6.4M	
4				4	R814	2001-000281 R-CARBON:1000HM,5%,1/8W,AA,TP,1.8X3.2MM	
4				4	R824	2001-000302 R-CARBON:100HM,5%,1/8W,AA,TP,1.8X3.2MM	
4				4	R809	2001-000411 R-CARBON:18KOHM,5%,1/8W,AA,TP,1.8X3.2MM	

Electrical Parts List

Loc. No.	Code No.	Description ; Specification	Remark
4	R840	2001-000429 R-CARBON:1KOHM,5%,1/8W,AA,TP,1.8X3.2MM	
4	R835	2001-000429 R-CARBON:1KOHM,5%,1/8W,AA,TP,1.8X3.2MM	
4	R816	2001-000429 R-CARBON:1KOHM,5%,1/8W,AA,TP,1.8X3.2MM	
4	R821	2001-000515 R-CARBON:220OHM,5%,1/8W,AA,TP,1.8X3.2MM	
4	R822	2001-000660 R-CARBON:33KOHM,5%,1/8W,AA,TP,1.8X3.2MM	
4	R843	2001-000734 R-CARBON:4.7KOHM,5%,1/8W,AA,TP,1.8X3.2M	
4	R842	2001-000734 R-CARBON:4.7KOHM,5%,1/8W,AA,TP,1.8X3.2M	
4	R841	2001-000734 R-CARBON:4.7KOHM,5%,1/8W,AA,TP,1.8X3.2M	
4	R831	2001-000734 R-CARBON:4.7KOHM,5%,1/8W,AA,TP,1.8X3.2M	
4	R811	2001-000800 R-CARBON:5.1KOHM,5%,1/8W,AA,TP,1.8X3.2M	
4	R827	2001-000812 R-CARBON:5.6KOHM,5%,1/8W,AA,TP,1.8X3.2M	
4	R817	2001-000924 R-CARBON:680OHM,5%,1/8W,AA,TP,1.8X3.2MM	
4	R407	2001-001037 R-CARBON(S):0.390HM,5%,1/2W,AA,TP,2.4X6.4	
4	R410	2001-001078 R-CARBON(S):15KOHM,5%,1/2W,AA,TP,2.4X6.4	
4	R812	2001-001078 R-CARBON(S):15KOHM,5%,1/2W,AA,TP,2.4X6.4	
4	R813	2001-001078 R-CARBON(S):15KOHM,5%,1/2W,AA,TP,2.4X6.4	
4	R422S	2001-001088 R-CARBON(S):1KOHM,5%,1/2W,AA,TP,2.4X6.4M	
4	R409	2001-001114 R-CARBON(S):270OHM,5%,1/2W,AA,TP,2.4X6.4	
4	R818	2001-001134 R-CARBON(S):360ohm,5%,1/2W,AA,TP,2.4X6.4	
4	R839	2001-001150 R-CARBON(S):470KOHM,5%,1/2W,AA,TP,2.4X6.4	
4	R838	2001-001150 R-CARBON(S):470KOHM,5%,1/2W,AA,TP,2.4X6.4	
4	R830	2001-001170 R-CARBON(S):6.80HM,5%,1/2W,AA,TP,2.4X6.4	
4	R806	2001-001170 R-CARBON(S):6.80HM,5%,1/2W,AA,TP,2.4X6.4	
4	R810	2001-001192 R-CARBON(S):820OHM,5%,1/2W,AA,TP,2.4X6.4	
4	RX801S	2002-001011 R-COMPOSITION:3.3Mohm,5%,1/2W,AA,TP,3.7x	
4	RY801S	2002-001012 R-COMPOSITION:8.2Mohm,5%,1/2W,AA,TP,3.7x	
4	R805	2003-000586 R-METAL OXIDE(S):22Kohm,5%,2W,AF,TP,4x12	
4	R804	2003-000586 R-METAL OXIDE(S):22Kohm,5%,2W,AF,TP,4x12	
4	R803	2003-000586 R-METAL OXIDE(S):22Kohm,5%,2W,AF,TP,4x12	
4	R315	2003-002009 R-METAL OXIDE(S):390ohm,5%,2W,AF,TP,3.9x	
4	R316	2003-002009 R-METAL OXIDE(S):390ohm,5%,2W,AF,TP,3.9x	
4	R303	2003-002070 R-METAL OXIDE(S):1ohm,5%,2W,AF,TP,3.9x10mm	
4	R402	2003-002178 R-METAL OXIDE(S):1Kohm,5%,2W,AG,TP,3.9x1	
4	R413	2004-001137 R-METAL:6.8Kohm,1%,1/8W,AA,TP,1.8x3.2m	
4	R412	2004-001373 R-METAL(S):100Kohm,1%,1/2W,AA,TP,2.4x6.4	
4	R833	2004-001983 R-METAL(S):2.49Kohm,1%,1/2W,AA,TP,2.4x6.4	
4	R815	2004-004089 R-METAL(S):123Kohm,1%,1/2W,AA,TP,2.5x6.5	
4	R415	2008-000253 R-FUSIBLE(S):0.47ohm,5%,1W,AF,TP,3.9x10m	
4	R406	2008-000253 R-FUSIBLE(S):0.47ohm,5%,1W,AF,TP,3.9x10m	
4	R404	2008-000253 R-FUSIBLE(S):0.47ohm,5%,1W,AF,TP,3.9x10m	
4	R414	2008-000264 R-FUSIBLE(S):1ohm,5%,1W,AF,TP,3.9x10mm	
4	R317	2008-001013 R-FUSIBLE(S):1.2ohm,5%,2W,AF,TP,3.9x10mm	
4	R411	2008-001015 R-FUSIBLE(S):1.5ohm,5%,2W,AF,TP,3.9x10mm	
4	C302	2201-000259 C-CERAMIC,DISC:0.18NF,10%,500V,Y5P,TP,5.	
4	C801	2201-000332 C-CERAMIC,DISC:2.2NF,20%,250V,Y5U,TP,9X4	
4	C817	2201-000374 C-CERAMIC,DISC:0.22NF,5%,50V,COG,TP,10.5	
4	C818	2201-000556 C-CERAMIC,DISC:0.47nF,10%,500V,Y5P,TP,5.	
4	C305	2201-000556 C-CERAMIC,DISC:0.47nF,10%,500V,Y5P,TP,5.	
4	C303	2201-000556 C-CERAMIC,DISC:0.47nF,10%,500V,Y5P,TP,5.	
4	C814	2201-000599 C-CERAMIC,DISC:0.56nF,10%,500V,Y5P,TP,5.	
4	C408	2201-000599 C-CERAMIC,DISC:0.56nF,10%,500V,Y5P,TP,5.	
4	CR404S	2201-000639 C-CERAMIC,DISC:0.68nF,10%,2kV,Y5P,TP,9x5	
4	C812	2201-000991 C-CERAMIC,DISC:0.56nF,10%,2kV,Y5P,TP,7.5	
4	CR409S	2201-000991 C-CERAMIC,DISC:0.56nF,10%,2kV,Y5P,TP,7.5	
4	C826	2202-000121 C-CERAMIC,MLC-AXIAL:100pF,10%,50V,Y5P,TP	
4	C825	2202-000121 C-CERAMIC,MLC-AXIAL:100pF,10%,50V,Y5P,TP	
4	C824	2202-000632 C-CERAMIC,MLC-AXIAL:100nF,20%,50V,Z5U,TP	
4	C809	2301-000016 C-FILM,PEF:22nF,5%,100V,TP,7.2x4.5x9.0mm	
4	C816	2301-000224 C-FILM,PEF:22nF,5%,50V,TP,7.4x3.9x13mm,5	
4	C807	2301-000235 C-FILM,PEF:3.9nF,5%,50V,TP,6.5x3.0x5.5mm	
4	C310	2301-000254 C-FILM,PEF:39nF,5%,50V,TP,7.5x3.5x6.5mm,	
4	C407	2301-000383 C-FILM,PEF:10nF,5%,50V,TP,6x7x3.2mm,5mm	
4	C411	2301-001065 C-FILM,MPPF:47nF,5%,630V,TP,19x15.5x7.7.	
4	C806	2301-001435 C-FILM,PPF:1.5nF,5%,1.2kV,TP,15x8x12.5mm	
4	C309	2305-000149 C-FILM,MPEF:100nF,5%,100V,TP,12x12.5x6.5	
4	C301	2305-000285 C-FILM,MPEF:220NF,5%,100V,TP,10.5X5.5X15	
4	CR405S	2305-000382 C-FILM,MPEF:4.7nF,5%,400V,TP,-,5mm	
4	C810	2305-000665 C-FILM,MPEF:100nF,5%,63V,TP,7.5x4.0x5.0m	
4	C821	2305-000665 C-FILM,MPEF:100nF,5%,63V,TP,7.5x4.0x5.0m	
4	C813	2401-000262 C-AL:100uF,20%,160V,HR,TP,16x25,7.5	
4	C307	2401-000365 C-AL:100uF,20%,50V,WT,TP,10x12.5mm,	
4	C815	2401-000703 C-AL:2200uF,20%,25V,GP,-,12.5x25mm,	
4	C827	2401-000901 C-AL:22uF,20%,160V,GP,TP,10x20,5	
4	C401	2401-000927 C-AL:22uF,20%,250V,GP,TP,13x20,5	
4	C304	2401-001115 C-AL:330uF,20%,25V,GP,TP,10x12.5,5	
4	C808	2401-001192 C-AL:33uF,20%,50V,GP,TP,6.3x11,5	
4	C306	2401-001397 C-AL:470uF,20%,25V,GP,TP,10x16,5	

Loc. No.	Code No.	Description ; Specification	Remark
4	C820	2401-002144 C-AL:47uF,20%,16V,GP,TP,5x11,5	
4	C823	2401-002144 C-AL:47uF,20%,16V,GP,TP,5x11,5	
4	C406	2401-002619 C-AL:47uF,20%,25V,GP,TP,5x11,5	
4	C308	2401-003028 C-AL:100uF,20%,25V,WT,TP,6.3x11,5	
4	C819	2401-003139 C-AL:1000uF,20%,25V,WT,TP,10*20,5mm	
4	L401	2701-000002 INDUCTOR-AXIAL:100uH,10%,4.2x9.8mm	
4	L301	2701-000142 INDUCTOR-AXIAL:1uH,10%,2.5x3.4mm	
4	L302	2701-000142 INDUCTOR-AXIAL:1uH,10%,2.5x3.4mm	
4	L404	2701-000142 INDUCTOR-AXIAL:1uH,10%,2.5x3.4mm	
4		0203-001123 TAPE-PAPER:#53131,TO.15,W6.0,L200000,YEL	
4	L405	2701-000159 INDUCTOR-AXIAL:22uH,10%,4.2x9.8mm	
4	J804	2701-001030 INDUCTOR-AXIAL:43uH,10%,5x14mm	
4	L804	2901-000297 FILTER-EMI ON BOARD:-,3A,-,-,3.5x5,TP,-	
4	L403	2901-000297 FILTER-EMI ON BOARD:-,3A,-,-,3.5x5,TP,-	
4	L802	3301-001223 CORE-FERRITE BEAD:AA,62ohm,3.5x0.8x5mm,-	
4	L803	3301-001223 CORE-FERRITE BEAD:AA,62ohm,3.5x0.8x5mm,-	
4	FP801S	3601-000261 FUSE-CARTRIDGE:250V,3.15A,TIME-LAG,GLASS	
4	FD802S	3601-001086 FUSE-AXIAL LEAD:125V,5A,FAST-ACTING,GLAS	
4	FD801S	3601-001086 FUSE-AXIAL LEAD:125V,5A,FAST-ACTING,GLAS	
4	F801B	3602-000014 FUSE-HOLDER:-,30mohm	
4	F801A	3602-000014 FUSE-HOLDER:-,30mohm	
4	J818	3812-000219 WIRE-NO SHEATH CU:TCWA,300V,52mm(TAPING)	
4	J817	3812-000219 WIRE-NO SHEATH CU:TCWA,300V,52mm(TAPING)	
4	J815	3812-000219 WIRE-NO SHEATH CU:TCWA,300V,52mm(TAPING)	
4	J814	3812-000219 WIRE-NO SHEATH CU:TCWA,300V,52mm(TAPING)	
4	J813	3812-000219 WIRE-NO SHEATH CU:TCWA,300V,52mm(TAPING)	
4	J824	3812-000219 WIRE-NO SHEATH CU:TCWA,300V,52mm(TAPING)	
4	J822	3812-000219 WIRE-NO SHEATH CU:TCWA,300V,52mm(TAPING)	
4	J821	3812-000219 WIRE-NO SHEATH CU:TCWA,300V,52mm(TAPING)	
4	J820	3812-000219 WIRE-NO SHEATH CU:TCWA,300V,52mm(TAPING)	
4	J819	3812-000219 WIRE-NO SHEATH CU:TCWA,300V,52mm(TAPING)	
4	J812	3812-000219 WIRE-NO SHEATH CU:TCWA,300V,52mm(TAPING)	
4	J806	3812-000219 WIRE-NO SHEATH CU:TCWA,300V,52mm(TAPING)	
4	J805	3812-000219 WIRE-NO SHEATH CU:TCWA,300V,52mm(TAPING)	
4	J803	3812-000219 WIRE-NO SHEATH CU:TCWA,300V,52mm(TAPING)	
4	J802	3812-000219 WIRE-NO SHEATH CU:TCWA,300V,52mm(TAPING)	
4	J801	3812-000219 WIRE-NO SHEATH CU:TCWA,300V,52mm(TAPING)	
4	J811	3812-000219 WIRE-NO SHEATH CU:TCWA,300V,52mm(TAPING)	
4	J810	3812-000219 WIRE-NO SHEATH CU:TCWA,300V,52mm(TAPING)	
4	J809	3812-000219 WIRE-NO SHEATH CU:TCWA,300V,52mm(TAPING)	
4	J808	3812-000219 WIRE-NO SHEATH CU:TCWA,300V,52mm(TAPING)	
4	J807	3812-000219 WIRE-NO SHEATH CU:TCWA,300V,52mm(TAPING)	
4	PCB	AA41-00548B PCB-POWER:TF21BSS,FR-1.1L,A,1.6T,245X245	
4	EY811	AA60-40011A K EYELET:ID2.0,OD2.8,BST	
4	EY812	AA60-40011A K EYELET:ID2.0,OD2.8,BST	
4	EY813	AA60-40011A K EYELET:ID2.0,OD2.8,BST	
4	EY814	AA60-40011A K EYELET:ID2.0,OD2.8,BST	
4	EY815	AA60-40011A K EYELET:ID2.0,OD2.8,BST	
4	EY802	AA60-40011A K EYELET:ID2.0,OD2.8,BST	
4	EY803	AA60-40011A K EYELET:ID2.0,OD2.8,BST	
4	EY804	AA60-40011A K EYELET:ID2.0,OD2.8,BST	
4	EY805	AA60-40011A K EYELET:ID2.0,OD2.8,BST	
4	EY806	AA60-40011A K EYELET:ID2.0,OD2.8,BST	
4	EY816	AA60-40011A K EYELET:ID2.0,OD2.8,BST	
4	EY822	AA60-40011A K EYELET:ID2.0,OD2.8,BST	
4	EY825	AA60-40011A K EYELET:ID2.0,OD2.8,BST	
4	EY827	AA60-40011A K EYELET:ID2.0,OD2.8,BST	
4	EY828	AA60-40011A K EYELET:ID2.0,OD2.8,BST	
4	EY829	AA60-40011A K EYELET:ID2.0,OD2.8,BST	
4	EY817	AA60-40011A K EYELET:ID2.0,OD2.8,BST	
4	EY818	AA60-40011A K EYELET:ID2.0,OD2.8,BST	
4	EY819	AA60-40011A K EYELET:ID2.0,OD2.8,BST	
4	EY820	AA60-40011A K EYELET:ID2.0,OD2.8,BST	
4	EY821	AA60-40011A K EYELET:ID2.0,OD2.8,BST	
4	EY801	AA60-40011A K EYELET:ID2.0,OD2.8,BST	
4	EY406	AA60-40011A K EYELET:ID2.0,OD2.8,BST	
4	EY407	AA60-40011A K EYELET:ID2.0,OD2.8,BST	
4	EY408	AA60-40011A K EYELET:ID2.0,OD2.8,BST	
4	EY409	AA60-40011A K EYELET:ID2.0,OD2.8,BST	
4	EY410	AA60-40011A K EYELET:ID2.0,OD2.8,BST	
4	EY401	AA60-40011A K EYELET:ID2.0,OD2.8,BST	
4	EY402	AA60-40011A K EYELET:ID2.0,OD2.8,BST	
4	EY403	AA60-40011A K EYELET:ID2.0,OD2.8,BST	
4	EY404	AA60-40011A K EYELET:ID2.0,OD2.8,BST	
4	EY405	AA60-40011A K EYELET:ID2.0,OD2.8,BST	
4	EY411	AA60-40011A K EYELET:ID2.0,OD2.8,BST	
4	EY419	AA60-40011A K EYELET:ID2.0,OD2.8,BST	



Loc. No.	Code No.	Description ; Specification	Remark	Loc. No.	Code No.	Description ; Specification	Remark
4	EY420	AA60-40011A	K EYELET;ID2.0,OD2.8,BST	4	IC701	0801-000961	IC-CMOS LOGIC;4053,MULTIPLEXER,DIP,16P,30
4	EY421	AA60-40011A	K EYELET;ID2.0,OD2.8,BST	4	IC902	1103-001177	IC-EEPROM;24WC16,2048x8Bit,DIP,8P,-,-,2
4	EY422	AA60-40011A	K EYELET;ID2.0,OD2.8,BST	4	SF101S	2904-000267	FILTER-SAW AV:38.9MHZ,SIP5P,ST,16.8dB,PA
4	EY423	AA60-40011A	K EYELET;ID2.0,OD2.8,BST	4	SFT01	2904-001063	FILTER-SAW AV:38.9MHZ,SIP5K,TP,18.5dB,B/
4	EY412	AA60-40011A	K EYELET;ID2.0,OD2.8,BST	4	JS701	3722-000183	JACK-SCART21P,4mm,SN,BLK,NO
4	EY414	AA60-40011A	K EYELET;ID2.0,OD2.8,BST	4	IC201S	AA09-00278A	IC MICOM:TDA9361PS/N2/4/0717,SPM-744EW1
4	EY415	AA60-40011A	K EYELET;ID2.0,OD2.8,BST	4	TU01S	AA40-00069A	TUNER:TEDE9-802A,PAL,181CH,38.9MHZ,75OHM
4	EY416	AA60-40011A	K EYELET;ID2.0,OD2.8,BST	4		AA97-12964A	ASSY AUTO;C17A
4	EY417	AA60-40011A	K EYELET;ID2.0,OD2.8,BST	5	DM301	0401-000005	DIODE-SWITCHING;1N4148,100V,200mA,DO-35,
4	EL802	AA60-40011B	K EYELET;ID2.2,OD3.2,BSP	5	DM603	0401-000005	DIODE-SWITCHING;1N4148,100V,200mA,DO-35,
4	EL803	AA60-40011B	K EYELET;ID2.2,OD3.2,BSP	5	DM609	0401-000005	DIODE-SWITCHING;1N4148,100V,200mA,DO-35,
4	EL804	AA60-40011B	K EYELET;ID2.2,OD3.2,BSP	5	D601	0401-000005	DIODE-SWITCHING;1N4148,100V,200mA,DO-35,
4	EL805	AA60-40011B	K EYELET;ID2.2,OD3.2,BSP	5	D205	0401-000005	DIODE-SWITCHING;1N4148,100V,200mA,DO-35,
4	EL801	AA60-40011B	K EYELET;ID2.2,OD3.2,BSP	5	D202	0401-000005	DIODE-SWITCHING;1N4148,100V,200mA,DO-35,
4	EL301	AA60-40011B	K EYELET;ID2.2,OD3.2,BSP	5	D201	0401-000005	DIODE-SWITCHING;1N4148,100V,200mA,DO-35,
4	EL302	AA60-40011B	K EYELET;ID2.2,OD3.2,BSP	5	D602	0402-000132	DIODE-RECTIFIER;1N4004,400V,1A,DO-41,TP
4	EL403	AA60-40011B	K EYELET;ID2.2,OD3.2,BSP	5	D203	0402-000132	DIODE-RECTIFIER;1N4004,400V,1A,DO-41,TP
4	EL404	AA60-40011B	K EYELET;ID2.2,OD3.2,BSP	5	ZDM601	0403-000508	DIODE-ZENER:MTZJ5.6B,5.6V,5.45-5.73V,500
4	GT805	AA60-40014A	PIN-GT,ASSY:AUTO	5	DZ903	0403-000508	DIODE-ZENER:MTZJ5.6B,5.6V,5.45-5.73V,500
4	GT804	AA60-40014A	PIN-GT,ASSY:AUTO	5	DZ902	0403-000508	DIODE-ZENER:MTZJ5.6B,5.6V,5.45-5.73V,500
4	GT803	AA60-40014A	PIN-GT,ASSY:AUTO	5	DZ901	0403-000508	DIODE-ZENER:MTZJ5.6B,5.6V,5.45-5.73V,500
4	GT806	AA60-40014A	PIN-GT,ASSY:AUTO	5	DZ101	0403-000508	DIODE-ZENER:MTZJ5.6B,5.6V,5.45-5.73V,500
4	GT807	AA60-40014A	PIN-GT,ASSY:AUTO	5	DZ206	0403-000720	DIODE-ZENER:MTZJ9.1B,9.1V,8.57-9.01V,500
4	GT808	AA60-40014A	PIN-GT,ASSY:AUTO	5	DZ701	0403-000720	DIODE-ZENER:MTZJ9.1B,9.1V,8.57-9.01V,500
4	GT301	AA60-40014A	PIN-GT,ASSY:AUTO	5	ZDM602	0403-000720	DIODE-ZENER:MTZJ9.1B,9.1V,8.57-9.01V,500
4	GT302	AA60-40014A	PIN-GT,ASSY:AUTO	5	DZ201	0403-000720	DIODE-ZENER:MTZJ9.1B,9.1V,8.57-9.01V,500
4	GT401	AA60-40014A	PIN-GT,ASSY:AUTO	5	DZ203	0403-000720	DIODE-ZENER:MTZJ9.1B,9.1V,8.57-9.01V,500
4	GT402	AA60-40014A	PIN-GT,ASSY:AUTO	5	DZ204	0403-000720	DIODE-ZENER:MTZJ9.1B,9.1V,8.57-9.01V,500
4	GT801	AA60-40014A	PIN-GT,ASSY:AUTO	5	DZ205	0403-000720	DIODE-ZENER:MTZJ9.1B,9.1V,8.57-9.01V,500
4	GT802	AA60-40014A	PIN-GT,ASSY:AUTO	5	KEZI	0403-000720	DIODE-ZENER:MTZJ9.1B,9.1V,8.57-9.01V,500
4	R302	2004-004366	R-METAL(S);1.3Kohm,1%,1/2W,AA,TP,2.5x6.5	5	DZ202	0403-001322	DIODE-ZENER:MTZJ8.2B,7.78-8.19V,500mW,DO
4	R306	2004-004366	R-METAL(S);1.3Kohm,1%,1/2W,AA,TP,2.5x6.5	5	QM312	0501-000010	TR-SMALL SIGNAL;KSC1008,NPN,800mW,TO-92,T
4		HA68-02176A	LABEL;LABEL	5	Q201	0501-000283	TR-SMALL SIGNAL;KSA539,PNP,400mW,TO-92,T
2		AA94-11848A	ASSY PCB MISC-M/DECK;TF20P1D4X/XEF,C17A	5	Q701	0501-000283	TR-SMALL SIGNAL;KSA539,PNP,400mW,TO-92,T
3		0201-000280	ADHESIVE-TS;EH-260D,RED,450°±50PS,10CC	5	QM315	0501-000303	TR-SMALL SIGNAL;KSA733,PNP,250mW,TO-92,T
3		0202-000008	SOLDER-WIRE;S63S-W3.0,S63S,D3.63Sn/37Pb,	5	QM311	0501-000303	TR-SMALL SIGNAL;KSA733,PNP,250mW,TO-92,T
3		0202-000187	SOLDER-WIRE FLUX;-RS60S,D1.2,63Sn/37Pb,	5	QM305	0501-000303	TR-SMALL SIGNAL;KSA733,PNP,250mW,TO-92,T
3		0204-001095	THINNER;#520,-,-,-	5	Q202	0501-000389	TR-SMALL SIGNAL;KSC815,NPN,400mW,TO-92,T
3		0202-001046	FLUX;CF-110VH-2A,-,-,-	5	QM317	0501-000389	TR-SMALL SIGNAL;KSC815,NPN,400mW,TO-92,T
3	PTM602	0604-001122	PHOTO-INTERRUPTER;TR,0.065%,150mW,DIP-4,	5	QM304	0501-000389	TR-SMALL SIGNAL;KSC815,NPN,400mW,TO-92,T
3	PTM601	0604-001122	PHOTO-INTERRUPTER;TR,0.065%,150mW,DIP-4,	5	Q205	0501-000389	TR-SMALL SIGNAL;KSC815,NPN,400mW,TO-92,T
3	ICM602	1003-001318	IC-MOTOR DRIVER;LB11880,DIP,30P,417MIL,-	5	Q202	0501-000389	TR-SMALL SIGNAL;KSC815,NPN,400mW,TO-92,T
3	IC601	1201-001386	IC-POWER AMP;7267,DIP,16P,-,DUAL,32dB,PL	5	Q203	0501-000389	TR-SMALL SIGNAL;KSC815,NPN,400mW,TO-92,T
3	XTM301	2801-000277	CRYSTAL UNIT;4.433619MHz,8ppm,28-AAM,S,1	5	Q204	0501-000389	TR-SMALL SIGNAL;KSC815,NPN,400mW,TO-92,T
3	CNM302	3708-000394	CONNECTOR-FPC/FFC/PIC;6P,1R,2.5mm,STRAIGHT	5	QM605	0501-000398	TR-SMALL SIGNAL;KSC945,NPN,250mW,TO-92,T
3	CNM301	3708-000394	CONNECTOR-FPC/FFC/PIC;6P,1R,2.5mm,STRAIGHT	5	QM604	0501-000398	TR-SMALL SIGNAL;KSC945,NPN,250mW,TO-92,T
3	CNM602	3708-001053	CONNECTOR-FPC/FFC/PIC;7P,1.25mm,STRAIGHT	5	QM603	0501-000398	TR-SMALL SIGNAL;KSC945,NPN,250mW,TO-92,T
3	CNM303	3710-001648	CONNECTOR-SOCKET;2P,1R,2.5mm,STRAIGHT,SN	5	QM308	0501-000398	TR-SMALL SIGNAL;KSC945,NPN,250mW,TO-92,T
3	CN701A	3711-000628	CONNECTOR-HEADER;BOX,11P,1R,2.5MM,STRAIG	5	QM306	0501-000398	TR-SMALL SIGNAL;KSC945,NPN,250mW,TO-92,T
3	CN601B	3711-002642	CONNECTOR-HEADER;BOX,3P,1R,2.5mm,STRAIGH	5	QM302	0501-000398	TR-SMALL SIGNAL;KSC945,NPN,250mW,TO-92,T
3	CN601A	3711-002643	CONNECTOR-HEADER;BOX,4P,1R,2.5mm,STRAIGH	5	QM301	0501-000398	TR-SMALL SIGNAL;KSC945,NPN,250mW,TO-92,T
3	CN501A	3711-002644	CONNECTOR-HEADER;BOX,5P,1R,2.5mm,STRAIGH	5	QM314	0501-000442	TR-SMALL SIGNAL;KTC3203-Y,NPN,400mW,TO-9
3	TPCN01	3711-002648	CONNECTOR-HEADER;BOX,9P,1R,2.5mm,STRAIGH	5	QM313	0501-000442	TR-SMALL SIGNAL;KTC3203-Y,NPN,400mW,TO-9
3	CNM603	3711-003749	CONNECTOR-HEADER;BOX,8P,2R,2mm,STRAIGHT,	5	QM303	0504-000119	TR-DIGITAL;KSR1004,NPN,300MW,47K/47K,TO-
3	CNM302	3809-001206	CABLE-FLAT;30V,-20to+80C,140mm,6P,1.25mm	5	G601	0504-000123	TR-DIGITAL;KSR1010,NPN,300mW,10K,TO-92,T
3	CNM602	3809-001312	CABLE-FLAT;30V,80C,110MM,7P,1.25MM,UL289	5	ICM603	1203-000642	IC-RESET;572,TO-92,3P,-,PLASTIC,2.35/2
3	FLM301	AA26-10006C	TRANS RF;-7MF,BIAS,2.4MH,7MM,-,65.3KHZ	5	RM638	2001-000003	R-CARBON;330ohm,5%,1/8W,AA,TP,1.8x3.2mm
3	SWM610	AA34-20001A	SWITCH-MODE;1.25x14.6x29.8mm,BK,DC5V	5	RM633	2001-000003	R-CARBON;330ohm,5%,1/8W,AA,TP,1.8x3.2mm
3	SWM611	AA34-40001A	SWITCH-REC.;1EA,37.5x14.4mm,BK,DC5V	5	RM632	2001-000003	R-CARBON;330ohm,5%,1/8W,AA,TP,1.8x3.2mm
3	W01	AA39-00046C	LEAD CONNECTOR-ASSY;-1P,JUMPER,BLK,100MM	5	RM319	2001-000003	R-CARBON;330ohm,5%,1/8W,AA,TP,1.8x3.2mm
3	CN802A	AA39-00180C	LEAD CONNECTOR-ASSY;TF20P1.UL1007#26,UL/	5	RM318	2001-000003	R-CARBON;330ohm,5%,1/8W,AA,TP,1.8x3.2mm
3	CN801A	AA39-20055B	LEAD CONNECTOR-ASSY;6P,YPNH025-06,67096	5	RM655	2001-000005	R-CARBON;390ohm,5%,1/8W,AA,TP,1.8x3.2mm
3	CNM601	AA39-20603A	LEAD CONNECTOR-ASSY;2P,GIL-S-2S-S2C2-S,	5	RM654	2001-000005	R-CARBON;390ohm,5%,1/8W,AA,TP,1.8x3.2mm
3		AA39-30007A	CBF IF;-T,100mm,1365#26	5	R205	2001-000005	R-CARBON;390ohm,5%,1/8W,AA,TP,1.8x3.2mm
3	TU02S	AA40-00071A	TUNER:TEDE9-247A,PAL,181CH,38.9MHZ,75OHM	5	RM352	2001-000006	R-CARBON;2.4KOHM,5%,1/8W,AA,TP,1.8X3.2M
3	REM601	AA59-60003V	MODULE REMOCON;-SRV-18,38KHZ,940NM,MESH	5	RM370	2001-000008	R-CARBON;15KOHM,5%,1/8W,AA,TP,1.8X3.2MM
3	GP01	AA63-00444B	GROUND;TVCR,PBS,TO,3,-,-,-,SUS-DECK	5	R212	2001-000008	R-CARBON;15KOHM,5%,1/8W,AA,TP,1.8X3.2MM
3	LDM601	AA91-60318A	ASSY-HOLDER,LED;-ABS,HB,BLK,IR LED,TS-D	5	RM612	2001-000009	R-CARBON;20KOHM,5%,1/8W,AA,TP,1.8X3.2MM
4	LED	0601-001303	LED-IR;SIDE-VIEW,2.5mm,75mW,6V,950nm,	5	RM644	2001-000010	R-CARBON;68KOHM,5%,1/8W,AA,TP,1.8X3.2MM
4	HOLDER	AA61-00003A	HOLDER-LED;TVN-502V,ABS,-,-,-,BLK,HB	5	RM610	2001-000010	R-CARBON;68KOHM,5%,1/8W,AA,TP,1.8X3.2MM
3	SM602	AA91-60319A	ASSY-HOLDER,SENSOR;-ABS,HB,BLK,TR LED,T	5	R203	2001-000011	R-CARBON;75KOHM,5%,1/8W,AA,TP,1.8X3.2MM
3	SM601	AA91-60319A	ASSY-HOLDER,SENSOR;-ABS,HB,BLK,TR LED,T	5	R711	2001-000037	R-CARBON(S);330OHM,5%,1/2W,AA,TP,2.4X6.4
4	TR	0603-001011	PHOTO TR;NPN,35V,6V,50mA,75mW,BK	5	RM641	2001-000118	R-CARBON(S);180OHM,5%,1/2W,AA,TP,2.4X6.4
4	HOLDER	AA61-00005A	HOLDER-SENSOR;TVN-502V,ABS,-,-,-,BLK,HB	5	RM349	2001-000221	R-CARBON;1.2KOHM,5%,1/8W,AA,TP,1.8X3.2M
3	LDM602	AA96-00462A	ASSY LED GUIDE;-,-,DL-11S2R1,RED	5	RM316	2001-000221	R-CARBON;1.2KOHM,5%,1/8W,AA,TP,1.8X3.2M
3		AA97-12949A	ASSY ROBOT;C17A	5	R723	2001-000221	R-CARBON;1.2KOHM,5%,1/8W,AA,TP,1.8X3.2M
4	IC702	0801-000213	IC-CMOS LOGIC;4052,MULTIPLEXER,DIP,16P,3	5	RM335	2001-000232	R-CARBON;1.3KOHM,5%,1/8W,AA,TP,1.8X3.2M











Loc. No.	Code No.	Description ; Specification	Remark	Loc. No.	Code No.	Description ; Specification	Remark
----------	----------	-----------------------------	--------	----------	----------	-----------------------------	--------

### ASSY CPT

1	AA91-05785A	ASSY CPT:C17A,21,SEB&SDIHU,A51EER33X40	
△ 2	LC801S AA27-20003Z	COIL DEGAUSSING;-;21,13.5ohm,25T,L2380,E	
△ 2	AA03-00279A	CRT COLOR:A51EER33X,+380MG,2.07MH,21.0MH	
2	AA98-70030A	ASSY TBC WIRE(P);DP,21,AA98-70014C,1P,TV	

### ASSY COVER REAR

1	AA90-03899A	ASSY COVER REAR;TI21B4DF4X/XEU	
2	AA64-02263A	CABINET BACK;21B5S,HIPS FV2,GR503	
2	AA65-30008A	CLAMPER CORE-CORD;-;PE,HB,-,BLK,-	

### ASSY COVER FRONT

1	AA90-04149A	ASSY COVER FRONT;TI21B4DF4X/XEU,C17A	
2	CB+CF 6002-000515	SCREW-TAPPING;RH,+;2,M4,L15,ZPC(WHT),SWR	
2	CRT+CF AA60-10050Q	SCREW-ASSY;-;SWRCH18A,M5,L26.5,HH,+;WC,-	
2	AA65-30107A	CLAMPER CORE-D.COIL;20-22 INCH,NYLON 66,	
2	AA96-01026A	ASSY COVER P-FRONT;21B4,HB,GD-905P	
3	HA83-00049A	LP-ADHESIVE-HM;12MM,NTR	
3	KF+CF 6003-001019	SCREW-TAPTITE;RH,+;B,M4,L12,ZPC(BLK),SWR	
3	SPK+CF 6003-001019	SCREW-TAPTITE;RH,+;B,M4,L12,ZPC(BLK),SWR	
3	KNOMAS AA61-60003Q	SPRING ETC-CS;-;SUS304,-,-;OD8,N5,OD8,-;	
3	AA64-01573A	INDICATOR LED;21B5 NEW,PC,CLEAR	
3	AA64-03100A	CABINET FRONT;21B5 SEH,HIPS,HB,G7666,GD9	
3	AA64-10799D	KNOB-MASTER;21B4 SEH,ABS,HB,G3676,DG905P	
3	AA64-10800C	KNOB-FAMILY;21B5,ABS,HB,G3676,DG905P	
3	AA64-40522B	WINDOW-REMOCON;-;21B5,-;PC,VIOLET,-;	
3	AA64-70010B	BADGE-BRAND;-;AL,-,-;L50,-;SILVER,SS R20	
3	3001-001087	SPEAKER;5W,16OHM,90DB,250+-50HZ	
3	AA39-20505M	LEAD CONNECTOR-ASSY;4PYSH025-04,REC,35	
2	AA65-30018A	CLAMPER CORE-WIRE;DONG-A,NYLON-66,-,-,-	
2	HA68-02177B	LABEL-POS;ALL,30MM,65MM,WHITE,AA68-02177	
2	AV+CF 6003-001023	SCREW-TAPTITE;RWH,+;B,M3,L10,ZPC(YEL),SW	
2	KP+CF 6003-001023	SCREW-TAPTITE;RWH,+;B,M3,L10,ZPC(YEL),SW	

### ASSY P/MATERIAL

1	AA92-06326A	ASSY P/MATERIAL;21B4 SEH	
2	0203-001096	TAPE-CELLULOSE;#301,T0.06,W75,L400,WHT	
2	AA81-00107A	A/S-HOT-MELT;TERMOKOL 2305,CLR,TVCR PCAS	
2	AA69-00744C	BAG-SHEET;-;HDPE PE FOAM,T0.015,W1050,H9	
2	AA69-20513A	CUSHION-SET;TVN534V,PS,C=0.02,-,-,-,-	

### ASSY BOX

1	AA92-07411A	ASSY BOX;21B	
2	AA69-51207F	PACKING CASE;21B5 SEH,D-1 BB,YEL,GUJU PE	
2	HA68-02178A	LABEL-BOX;250MM,89MM,WHITE	
2	HA83-00046A	LP-TAPE INK;WIDTH 105 MM	

### ASSY ACCESSORY

1	AA92-06459A	ASSY ACCESSORY;TI20P1DF4X/XEU	
2	AA59-00221D	REMOCON;TM66,SA5554PS,43,G6671B,S/S,	
2	4301-000121	BATTERY-MN;1.5V,-;AAA,10.5x44.5m,HOLDER	
2	HA69-00276A	BAG VINYL;HDPE,T0.025,L400,W240,-;W/O LO	
2	AA68-02255A	MANUAL USERS;ENG(MONO),W/P100(G),2,B5,C	
2	HA68-00336B	CARD-WARRANTY;A/P100(G),A5,NEW VERSION,I	
2	HA68-02329A	CARD-REGISTRATION;EUROPE,2,W/P120,A5,4P	
2	AA68-50020A	LABEL-WARNING;A/P120(S),T0.5,-,BLK,-,TVP	





Loc. No.	Code No.	Description ; Specification	Remark	Loc. No.	Code No.	Description ; Specification	Remark
△	4 RY801S	2002-001012	R-COMPOSITION:8.2Mohm,5%,1/2W,AA,TP,3.7x	4 J814	3812-000219	WIRE-NO SHEATH CU:TCWA,300V,52mm(TAPING)	
4	R805	2003-000586	R-METAL OXIDE(S):22Kohm,5%,2W,AF,TP,4x12	4 J813	3812-000219	WIRE-NO SHEATH CU:TCWA,300V,52mm(TAPING)	
4	R804	2003-000586	R-METAL OXIDE(S):22Kohm,5%,2W,AF,TP,4x12	4 J824	3812-000219	WIRE-NO SHEATH CU:TCWA,300V,52mm(TAPING)	
4	R803	2003-000586	R-METAL OXIDE(S):22Kohm,5%,2W,AF,TP,4x12	4 J822	3812-000219	WIRE-NO SHEATH CU:TCWA,300V,52mm(TAPING)	
4	R315	2003-001018	R-METAL OXIDE(S):220ohm,5%,2W,AF,TP,3.9x	4 J821	3812-000219	WIRE-NO SHEATH CU:TCWA,300V,52mm(TAPING)	
4	R303	2003-002070	R-METAL OXIDE:1ohm,5%,2W,AF,TP,3.9x10mm	4 J820	3812-000219	WIRE-NO SHEATH CU:TCWA,300V,52mm(TAPING)	
4	R402	2003-002178	R-METAL OXIDE(S):1Kohm,5%,2W,AG,TP,3.9x1	4 J819	3812-000219	WIRE-NO SHEATH CU:TCWA,300V,52mm(TAPING)	
4	R413	2004-001137	R-METAL:6.8Kohm,1%,1/8W,AA,TP,1.8x3.2m	4 J812	3812-000219	WIRE-NO SHEATH CU:TCWA,300V,52mm(TAPING)	
4	R306	2004-001390	R-METAL(S):1Kohm,2%,1/2W,AA,TP,2.4x6.4mm	4 J806	3812-000219	WIRE-NO SHEATH CU:TCWA,300V,52mm(TAPING)	
4	R302	2004-001390	R-METAL(S):1Kohm,2%,1/2W,AA,TP,2.4x6.4mm	4 J805	3812-000219	WIRE-NO SHEATH CU:TCWA,300V,52mm(TAPING)	
4	R833	2004-001983	R-METAL(S):2.49Kohm,1%,1/2W,AA,TP,2.4x6.	4 J803	3812-000219	WIRE-NO SHEATH CU:TCWA,300V,52mm(TAPING)	
4	R815	2004-004089	R-METAL(S):123Kohm,1%,1/2W,AA,TP,2.5x6.5	4 J802	3812-000219	WIRE-NO SHEATH CU:TCWA,300V,52mm(TAPING)	
4	R412	2004-004089	R-METAL(S):123Kohm,1%,1/2W,AA,TP,2.5x6.5	4 J801	3812-000219	WIRE-NO SHEATH CU:TCWA,300V,52mm(TAPING)	
4	R406	2008-000253	R-FUSIBLE(S):0.47ohm,5%,1W,AF,TP,3.9x10m	4 J811	3812-000219	WIRE-NO SHEATH CU:TCWA,300V,52mm(TAPING)	
4	R404	2008-000253	R-FUSIBLE(S):0.47ohm,5%,1W,AF,TP,3.9x10m	4 J810	3812-000219	WIRE-NO SHEATH CU:TCWA,300V,52mm(TAPING)	
4	R414	2008-000264	R-FUSIBLE(S):1ohm,5%,1W,AF,TP,3.9x10mm	4 J809	3812-000219	WIRE-NO SHEATH CU:TCWA,300V,52mm(TAPING)	
4	R317	2008-001013	R-FUSIBLE(S):1.2ohm,5%,2W,AF,TP,3.9x10mm	4 J808	3812-000219	WIRE-NO SHEATH CU:TCWA,300V,52mm(TAPING)	
4	R415	2008-001031	R-FUSIBLE(S):1.8ohm,5%,1W,AF,TP,3.9x10mm	4 J807	3812-000219	WIRE-NO SHEATH CU:TCWA,300V,52mm(TAPING)	
4	R411	2008-001015	R-FUSIBLE(S):1.5ohm,5%,2W,AF,TP,3.9x10mm	4 PCB	AA41-00548B	PCB-POWER:TF21B5S,FR-1,1L,A,1.6T,245X245	
4	C302	2201-000259	C-CERAMIC,DISC:0.18NF,10%,500V,Y5P,TP,5.	4 EY811	AA60-40011A	K EYELET:ID2.0,OD2.8,BST	
4	C801	2201-000332	C-CERAMIC,DISC:2.2NF,20%,250V,Y5U,TP,9X4	4 EY812	AA60-40011A	K EYELET:ID2.0,OD2.8,BST	
4	C817	2201-000374	C-CERAMIC,DISC:0.22NF,5%,50V,COG,TP,10.5	4 EY813	AA60-40011A	K EYELET:ID2.0,OD2.8,BST	
4	C818	2201-000556	C-CERAMIC,DISC:0.47nF,10%,500V,Y5P,TP,5.	4 EY814	AA60-40011A	K EYELET:ID2.0,OD2.8,BST	
4	C305	2201-000556	C-CERAMIC,DISC:0.47nF,10%,500V,Y5P,TP,5.	4 EY815	AA60-40011A	K EYELET:ID2.0,OD2.8,BST	
4	C303	2201-000556	C-CERAMIC,DISC:0.47nF,10%,500V,Y5P,TP,5.	4 EY802	AA60-40011A	K EYELET:ID2.0,OD2.8,BST	
4	C814	2201-000599	C-CERAMIC,DISC:0.56nF,10%,500V,Y5P,TP,5.	4 EY803	AA60-40011A	K EYELET:ID2.0,OD2.8,BST	
4	C408	2201-000599	C-CERAMIC,DISC:0.56nF,10%,500V,Y5P,TP,5.	4 EY804	AA60-40011A	K EYELET:ID2.0,OD2.8,BST	
△	4 CR404S	2201-000639	C-CERAMIC,DISC:0.68nF,10%,2kV,Y5P,TP,9x5	4 EY805	AA60-40011A	K EYELET:ID2.0,OD2.8,BST	
4	C812	2201-000991	C-CERAMIC,DISC:0.56nF,10%,2kV,Y5P,TP,7.5	4 EY806	AA60-40011A	K EYELET:ID2.0,OD2.8,BST	
△	4 CR409S	2201-000991	C-CERAMIC,DISC:0.56nF,10%,2kV,Y5P,TP,7.5	4 EY816	AA60-40011A	K EYELET:ID2.0,OD2.8,BST	
4	C826	2202-000121	C-CERAMIC,MLC-AXIAL:100pF,10%,50V,Y5P,TP	4 EY822	AA60-40011A	K EYELET:ID2.0,OD2.8,BST	
4	C825	2202-000121	C-CERAMIC,MLC-AXIAL:100pF,10%,50V,Y5P,TP	4 EY825	AA60-40011A	K EYELET:ID2.0,OD2.8,BST	
4	C824	2202-000632	C-CERAMIC,MLC-AXIAL:100nF,20%,50V,Z5U,TP	4 EY827	AA60-40011A	K EYELET:ID2.0,OD2.8,BST	
4	C809	2301-000016	C-FILM,PEF:22nF,5%,100V,TP,7.2x4.5x9.0mm	4 EY828	AA60-40011A	K EYELET:ID2.0,OD2.8,BST	
4	C816	2301-000224	C-FILM,PEF:22nF,5%,50V,TP,7.4x3.9x13mm,5	4 EY829	AA60-40011A	K EYELET:ID2.0,OD2.8,BST	
4	C807	2301-000235	C-FILM,PEF:3.9nF,5%,50V,TP,6.5x3.0x5.5mm	4 EY817	AA60-40011A	K EYELET:ID2.0,OD2.8,BST	
4	C310	2301-000254	C-FILM,PEF:39nF,5%,50V,TP,7.5x3.5x6.5mm,	4 EY818	AA60-40011A	K EYELET:ID2.0,OD2.8,BST	
4	C407	2301-000383	C-FILM,PEF:10nF,5%,50V,TP,6x7x3.2mm,5mm	4 EY819	AA60-40011A	K EYELET:ID2.0,OD2.8,BST	
4	C411	2301-001065	C-FILM,MPPF:47nF,5%,630V,TP,19x15.5x7.7.	4 EY820	AA60-40011A	K EYELET:ID2.0,OD2.8,BST	
4	C806	2301-001435	C-FILM,PPF:1.5nF,5%,1.2kV,TP,15x8x12.5mm	4 EY821	AA60-40011A	K EYELET:ID2.0,OD2.8,BST	
4	C309	2305-000149	C-FILM,MPEF:100nF,5%,100V,TP,12x12.5x6.5	4 EY801	AA60-40011A	K EYELET:ID2.0,OD2.8,BST	
4	C301	2305-000285	C-FILM,MPEF:220NF,5%,100V,TP,10.5X5.5X15	4 EY406	AA60-40011A	K EYELET:ID2.0,OD2.8,BST	
△	4 CR405S	2305-000382	C-FILM,MPEF:4.7nF,5%,400V,TP,-,5mm	4 EY407	AA60-40011A	K EYELET:ID2.0,OD2.8,BST	
4	C821	2305-000665	C-FILM,MPEF:100nF,5%,63V,TP,7.5x4.0x5.0m	4 EY408	AA60-40011A	K EYELET:ID2.0,OD2.8,BST	
4	C810	2305-000665	C-FILM,MPEF:100nF,5%,63V,TP,7.5x4.0x5.0m	4 EY409	AA60-40011A	K EYELET:ID2.0,OD2.8,BST	
4	C813	2401-000262	C-AL:100uF,20%,160V,HR,TP,16x25,7.5	4 EY410	AA60-40011A	K EYELET:ID2.0,OD2.8,BST	
4	C307	2401-000365	C-AL:100uF,20%,50V,WT,TP,10x12.5mm,	4 EY401	AA60-40011A	K EYELET:ID2.0,OD2.8,BST	
4	C815	2401-000703	C-AL:2200uF,20%,25V,GP,-,12.5x25mm,	4 EY402	AA60-40011A	K EYELET:ID2.0,OD2.8,BST	
4	C827	2401-000901	C-AL:22uF,20%,160V,GP,TP,10x20.5	4 EY403	AA60-40011A	K EYELET:ID2.0,OD2.8,BST	
4	C401	2401-000927	C-AL:22uF,20%,250V,GP,TP,13x20.5	4 EY404	AA60-40011A	K EYELET:ID2.0,OD2.8,BST	
4	C304	2401-001115	C-AL:330uF,20%,25V,GP,TP,10x12.5,5	4 EY405	AA60-40011A	K EYELET:ID2.0,OD2.8,BST	
4	C808	2401-001192	C-AL:33uF,20%,50V,GP,TP,6.3x11,5	4 EY411	AA60-40011A	K EYELET:ID2.0,OD2.8,BST	
4	C306	2401-001397	C-AL:470uF,20%,25V,GP,TP,10x16,5	4 EY419	AA60-40011A	K EYELET:ID2.0,OD2.8,BST	
4	C823	2401-002144	C-AL:47uF,20%,16V,GP,TP,5x11,5	4 EY420	AA60-40011A	K EYELET:ID2.0,OD2.8,BST	
4	C820	2401-002144	C-AL:47uF,20%,16V,GP,TP,5x11,5	4 EY421	AA60-40011A	K EYELET:ID2.0,OD2.8,BST	
4	C406	2401-002619	C-AL:47uF,20%,25V,GP,TP,5x11,5	4 EY422	AA60-40011A	K EYELET:ID2.0,OD2.8,BST	
4	C308	2401-003028	C-AL:100uF,20%,25V,WT,TP,6.3x11,5	4 EY423	AA60-40011A	K EYELET:ID2.0,OD2.8,BST	
4	C819	2401-003139	C-AL:1000uF,20%,25V,WT,TP,10*20,5mm	4 EY412	AA60-40011A	K EYELET:ID2.0,OD2.8,BST	
△	4 L401	2701-000002	INDUCTOR-AXIAL:100uH,10%,4.2x9.8mm	4 EY414	AA60-40011A	K EYELET:ID2.0,OD2.8,BST	
4	L404	2701-000142	INDUCTOR-AXIAL:1uH,10%,2.5x3.4mm	4 EY415	AA60-40011A	K EYELET:ID2.0,OD2.8,BST	
4	L302	2701-000142	INDUCTOR-AXIAL:1uH,10%,2.5x3.4mm	4 EY416	AA60-40011A	K EYELET:ID2.0,OD2.8,BST	
4	L301	2701-000142	INDUCTOR-AXIAL:1uH,10%,2.5x3.4mm	4 EY417	AA60-40011A	K EYELET:ID2.0,OD2.8,BST	
4	L405	2701-000159	INDUCTOR-AXIAL:22uH,10%,4.2x9.8mm	4 EL802	AA60-40011B	K EYELET:ID2.2,OD3.2,BSP	
4	J804	2701-001030	INDUCTOR-AXIAL:43uH,10%,5x14mm	4 EL803	AA60-40011B	K EYELET:ID2.2,OD3.2,BSP	
4	L804	2901-000297	FILTER-EMI ON BOARD:-,3A,-,-,3.5x5,TP,-	4 EL804	AA60-40011B	K EYELET:ID2.2,OD3.2,BSP	
4	L403	2901-000297	FILTER-EMI ON BOARD:-,3A,-,-,3.5x5,TP,-	4 EL805	AA60-40011B	K EYELET:ID2.2,OD3.2,BSP	
4	L803	3301-001223	CORE-FERRITE BEAD:AA,62ohm,3.5x0.8x5mm,-	4 EL801	AA60-40011B	K EYELET:ID2.2,OD3.2,BSP	
4	L802	3301-001223	CORE-FERRITE BEAD:AA,62ohm,3.5x0.8x5mm,-	4 EL301	AA60-40011B	K EYELET:ID2.2,OD3.2,BSP	
△	4 FP801S	3601-000261	FUSE-CARTRIDGE:250V,3.15A,TIME-LAG,GLASS	4 EL302	AA60-40011B	K EYELET:ID2.2,OD3.2,BSP	
△	4 FD801S	3601-001086	FUSE-AXIAL LEAD:125V,5A,FAST-ACTING,GLAS	4 EL403	AA60-40011B	K EYELET:ID2.2,OD3.2,BSP	
△	4 FD802S	3601-001086	FUSE-AXIAL LEAD:125V,5A,FAST-ACTING,GLAS	4 EL404	AA60-40011B	K EYELET:ID2.2,OD3.2,BSP	
4	F801B	3602-000114	FUSE-HOLDER:-,30mohm	4 GT805	AA60-40014A	PIN-GT,ASSY:AUTO	
4	F801A	3602-000114	FUSE-HOLDER:-,30mohm	4 GT804	AA60-40014A	PIN-GT,ASSY:AUTO	
4	J818	3812-000219	WIRE-NO SHEATH CU:TCWA,300V,52mm(TAPING)	4 GT803	AA60-40014A	PIN-GT,ASSY:AUTO	
4	J817	3812-000219	WIRE-NO SHEATH CU:TCWA,300V,52mm(TAPING)	4 GT806	AA60-40014A	PIN-GT,ASSY:AUTO	
4	J815	3812-000219	WIRE-NO SHEATH CU:TCWA,300V,52mm(TAPING)	4 GT807	AA60-40014A	PIN-GT,ASSY:AUTO	
				4 GT808	AA60-40014A	PIN-GT,ASSY:AUTO	

Electrical Parts List

Loc. No.	Code No.	Description ; Specification	Remark
4	GT301	AA60-40014A	PIN-GT,ASSY:AUTO
4	GT302	AA60-40014A	PIN-GT,ASSY:AUTO
4	GT401	AA60-40014A	PIN-GT,ASSY:AUTO
4	GT402	AA60-40014A	PIN-GT,ASSY:AUTO
4	GT801	AA60-40014A	PIN-GT,ASSY:AUTO
4	GT802	AA60-40014A	PIN-GT,ASSY:AUTO
4		HA68-02176A	LABEL:LABEL
2		AA94-11851A	ASSY PCB MISC-M/DECK:TF20P1D4X/XEF,C17A
3		0201-000280	ADHESIVE-TS:EH-260D,RED,450°±50PS,10CC
3		0202-000008	SOLDER-WIRE:S63S-W3.0,S63S,D3.63Sn/37Pb,
3		0202-000187	SOLDER-WIRE FLUX:-RS60S,D1.2,63Sn/37Pb
3		0204-001095	THINNER:#4520,-,-,-
3		0202-001046	FLUX:CF-110VH-2A,-,-,-,-
3	PTM601	0604-001122	PHOTO-INTERRUPTER:TR,0.065%,150mW,DIP-4,
3	PTM602	0604-001122	PHOTO-INTERRUPTER:TR,0.065%,150mW,DIP-4,
3	ICM602	1003-001318	IC-MOTOR DRIVER:LB11880,DIP,30P,417MIL,-
3	IC601	1201-001386	IC-POWER AMP:7267,DIP,16P,-,DUAL,32dB,PL
3	XTM301	2801-000277	CRYSTAL-UNIT:F.4.33619MHz,8ppm,28-AAM,S.1
3	CNM302	3708-000394	CONNECTOR-FPC/FFC/PIC:6P,1.25mm,STRAIGHT
3	CNM301	3708-000394	CONNECTOR-FPC/FFC/PIC:6P,1.25mm,STRAIGHT
3	CNM602	3708-001053	CONNECTOR-FPC/FFC/PIC:7P,1.25mm,STRAIGHT
3	CNM303	3710-001648	CONNECTOR-SOCKET:2P,1R,2.5mm,STRAIGHT,SN
3	CN701A	3711-000628	CONNECTOR-HEADER:BOX,11P,1R,2.5MM,STRAIG
3	CN601B	3711-002642	CONNECTOR-HEADER:BOX,3P,1R,2.5mm,STRAIGH
3	CN601A	3711-002643	CONNECTOR-HEADER:BOX,4P,1R,2.5mm,STRAIGH
3	CN501A	3711-002644	CONNECTOR-HEADER:BOX,5P,1R,2.5mm,STRAIGH
3	TPCN01	3711-002648	CONNECTOR-HEADER:BOX,9P,1R,2.5mm,STRAIGH
3	CNM603	3711-003749	CONNECTOR-HEADER:BOX,8P,2R,2mm,STRAIGHT,
3	CNM302	3809-001206	CABLE-FLAT:30V,-20to+80C,140mm,6P,1.25mm
3	CNM602	3809-001312	CABLE-FLAT:30V,80C,110MM,7P,1.25MM,UL289
3	FLM301	AA26-10006C	TRANS RF:-,7MF,BIAS,2.4MH,7MM,-,65.3KHZ
3	SWM610	AA34-20001A	SWITCH-MODE:1,25x14.6x29.8mm,BK,DC5V
3	SWM611	AA34-40001A	SWITCH-REC.:1EA,37.5x14.4mm,BK,DC5V
3	W01	AA39-00046C	LEAD CONNECTOR-ASSY:,1P,JUMPER,BLK,100MM
3	CN802A	AA39-00180C	LEAD CONNECTOR-ASSY:TF20P1,UL1007#26,UL/
3	CN801A	AA39-20055B	LEAD CONNECTOR-ASSY:,6PYBNH025-06,67096
3	CNM601	AA39-20603A	LEAD CONNECTOR-ASSY:,2PGIL-S-2S-S2C-2,S,
3	REM601	AA59-60003V	MODULE REMOCON:-,SRV-18,38KHZ,940NM,MESH
3	GPM01	AA63-00444B	GROUND;TVCR,PBS,TO.3,-,-,-,SUS-DECK
3	LDM601	AA91-60318A	ASSY-HOLDER,LED:-,ABS,HB,BLK,IR LED,TS-D
4	LED	0601-001303	LED-IR:SIDE-VIEW,2.5mm,75mW,6V,950nm,
4	HOLDER	AA61-00003A	HOLDER-LED:TVN-502V,ABS,-,-,-,BLK,HB
3	SM602	AA91-60319A	ASSY-HOLDER,SENSOR:-,ABS,HB,BLK,TR LED,T
3	SM601	AA91-60319A	ASSY-HOLDER,SENSOR:-,ABS,HB,BLK,TR LED,T
4	TR	0603-001011	PHOTO TR:NPN,35V,6V,50mA,75mW,BK
4	HOLDER	AA61-00005A	HOLDER-SENSOR:TVN-502V,ABS,-,-,-,BLK,HB
3	LDM602	AA96-00462A	ASSY LED GUIDE:-,DL-11S2R1,RED
3		AA97-12952A	ASSY ROBOT:C17A
4	IC702	0801-000213	IC-CMOS LOGIC:4052,MULTIPLEXER,DIP,16P,3
4	IC701	0801-000961	IC-CMOS LOGIC:4053,MULTIPLEXER,DIP,16P,30
4	IC902	1103-001177	IC-EEPROM:24WC16,2048x8Bit,DIP,8P,-,2
△	SF101S	2904-000267	FILTER-SAW AV:38.9MHz,SIP5P,ST,16.8dB,PA
4	JS701	3722-000183	JACK-SCART:21P,4mm,SN,BLK,NO
△	IC201S	AA09-00285A	IC MICOM:TDA9381PS/N2/3/0749,SPM-744WOT
△	TU01S	HA83-00061A	LA-TUNER:AA40-00076A
4		AA97-12967A	ASSY AUTO:C17A
5	DM609	0401-000005	DIODE-SWITCHING:1N4148,100V,200mA,DO-35,
5	DM603	0401-000005	DIODE-SWITCHING:1N4148,100V,200mA,DO-35,
5	DM301	0401-000005	DIODE-SWITCHING:1N4148,100V,200mA,DO-35,
5	D601	0401-000005	DIODE-SWITCHING:1N4148,100V,200mA,DO-35,
5	D205	0401-000005	DIODE-SWITCHING:1N4148,100V,200mA,DO-35,
5	D202	0401-000005	DIODE-SWITCHING:1N4148,100V,200mA,DO-35,
5	D201	0401-000005	DIODE-SWITCHING:1N4148,100V,200mA,DO-35,
5	D602	0402-000132	DIODE-RECTIFIER:1N4004,400V,1A,DO-41,TP
5	D203	0402-000132	DIODE-RECTIFIER:1N4004,400V,1A,DO-41,TP
5	ZDM601	0403-000508	DIODE-ZENER:MTZJ5.6B,5.6V,5.45-5.73V,500
5	DZ903	0403-000508	DIODE-ZENER:MTZJ5.6B,5.6V,5.45-5.73V,500
5	DZ902	0403-000508	DIODE-ZENER:MTZJ5.6B,5.6V,5.45-5.73V,500
5	DZ901	0403-000508	DIODE-ZENER:MTZJ5.6B,5.6V,5.45-5.73V,500
5	DZ101	0403-000508	DIODE-ZENER:MTZJ5.6B,5.6V,5.45-5.73V,500
5	DZ206	0403-000720	DIODE-ZENER:MTZJ9.1B,9.1V,8.57-9.01V,500
5	DZ701	0403-000720	DIODE-ZENER:MTZJ9.1B,9.1V,8.57-9.01V,500
5	ZDM602	0403-000720	DIODE-ZENER:MTZJ9.1B,9.1V,8.57-9.01V,500
5	DZ201	0403-000720	DIODE-ZENER:MTZJ9.1B,9.1V,8.57-9.01V,500
5	DZ203	0403-000720	DIODE-ZENER:MTZJ9.1B,9.1V,8.57-9.01V,500
5	DZ204	0403-000720	DIODE-ZENER:MTZJ9.1B,9.1V,8.57-9.01V,500
5	DZ205	0403-000720	DIODE-ZENER:MTZJ9.1B,9.1V,8.57-9.01V,500

Loc. No.	Code No.	Description ; Specification	Remark
5	KEZ1	0403-000720	DIODE-ZENER:MTZJ9.1B,9.1V,8.57-9.01V,500
5	DZ202	0403-001322	DIODE-ZENER:MTZJ8.2B,7.78-8.19V,500mW,DO
5	QM312	0501-000010	TR-SMALL SIGNAL:KSC1008,NPN,800mW,TO-92,
5	Q201	0501-000283	TR-SMALL SIGNAL:KSA539,PNP,400mW,TO-92,T
5	Q701	0501-000283	TR-SMALL SIGNAL:KSA539,PNP,400mW,TO-92,T
5	QM315	0501-000303	TR-SMALL SIGNAL:KSA733,PNP,250mW,TO-92,T
5	QM311	0501-000303	TR-SMALL SIGNAL:KSA733,PNP,250mW,TO-92,T
5	QM305	0501-000303	TR-SMALL SIGNAL:KSA733,PNP,250mW,TO-92,T
5	QM317	0501-000389	TR-SMALL SIGNAL:KSC815,NPN,400mW,TO-92,T
5	QM304	0501-000389	TR-SMALL SIGNAL:KSC815,NPN,400mW,TO-92,T
5	Q205	0501-000389	TR-SMALL SIGNAL:KSC815,NPN,400mW,TO-92,T
5	Q202	0501-000389	TR-SMALL SIGNAL:KSC815,NPN,400mW,TO-92,T
5	Q203	0501-000389	TR-SMALL SIGNAL:KSC815,NPN,400mW,TO-92,T
5	Q204	0501-000389	TR-SMALL SIGNAL:KSC815,NPN,400mW,TO-92,T
5	QM605	0501-000398	TR-SMALL SIGNAL:KSC945,NPN,250mW,TO-92,T
5	QM604	0501-000398	TR-SMALL SIGNAL:KSC945,NPN,250mW,TO-92,T
5	QM603	0501-000398	TR-SMALL SIGNAL:KSC945,NPN,250mW,TO-92,T
5	QM308	0501-000398	TR-SMALL SIGNAL:KSC945,NPN,250mW,TO-92,T
5	QM306	0501-000398	TR-SMALL SIGNAL:KSC945,NPN,250mW,TO-92,T
5	QM302	0501-000398	TR-SMALL SIGNAL:KSC945,NPN,250mW,TO-92,T
5	QM301	0501-000398	TR-SMALL SIGNAL:KSC945,NPN,250mW,TO-92,T
5	QM314	0501-000442	TR-SMALL SIGNAL:KTC3203-Y,NPN,400mW,TO-9
5	QM313	0501-000442	TR-SMALL SIGNAL:KTC3203-Y,NPN,400mW,TO-9
5	QM303	0504-000119	TR-DIGITAL:KSR1004,NPN,300MW,47K/47K,TO-
5	Q601	0504-000123	TR-DIGITAL:KSR1010,NPN,300mW,10K,TO-92,T
5	ICM603	1203-000642	IC-RESET:572,TO-92,3P,-,PLASTIC,2.35/2,
5	RM638	2001-000003	R-CARBON:330ohm,5%,1/8W,AA,TP,1.8x3.2mm
5	RM633	2001-000003	R-CARBON:330ohm,5%,1/8W,AA,TP,1.8x3.2mm
5	RM632	2001-000003	R-CARBON:330ohm,5%,1/8W,AA,TP,1.8x3.2mm
5	RM319	2001-000003	R-CARBON:330ohm,5%,1/8W,AA,TP,1.8x3.2mm
5	RM318	2001-000003	R-CARBON:330ohm,5%,1/8W,AA,TP,1.8x3.2mm
5	RM655	2001-000005	R-CARBON:390ohm,5%,1/8W,AA,TP,1.8x3.2mm
5	RM654	2001-000005	R-CARBON:390ohm,5%,1/8W,AA,TP,1.8x3.2mm
5	R205	2001-000005	R-CARBON:390ohm,5%,1/8W,AA,TP,1.8x3.2mm
5	RM352	2001-000006	R-CARBON:2.4KOHM,5%,1/8W,AA,TP,1.8X3.2MM
5	RM370	2001-000008	R-CARBON:15KOHM,5%,1/8W,AA,TP,1.8X3.2MM
5	R212	2001-000008	R-CARBON:15KOHM,5%,1/8W,AA,TP,1.8X3.2MM
5	RM612	2001-000009	R-CARBON:20KOHM,5%,1/8W,AA,TP,1.8X3.2MM
5	RM610	2001-000010	R-CARBON:20KOHM,5%,1/8W,AA,TP,1.8X3.2MM
5	RM644	2001-000010	R-CARBON:68KOHM,5%,1/8W,AA,TP,1.8X3.2MM
5	R203	2001-000011	R-CARBON:75KOHM,5%,1/8W,AA,TP,1.8X3.2MM
5	R711	2001-000037	R-CARBON(S):330OHM,5%,1/2W,AA,TP,2.4X6.4
5	RM641	2001-000118	R-CARBON(S):180OHM,5%,1/2W,AA,TP,2.4X6.4
5	RM316	2001-000221	R-CARBON:1.2KOHM,5%,1/8W,AA,TP,1.8X3.2M
5	RM349	2001-000221	R-CARBON:1.2KOHM,5%,1/8W,AA,TP,1.8X3.2M
5	RM335	2001-000232	R-CARBON:1.3KOHM,5%,1/8W,AA,TP,1.8X3.2M
5	RM307	2001-000241	R-CARBON:1.5KOHM,5%,1/8W,AA,TP,1.8X3.2M
5	RM323	2001-000241	R-CARBON:1.5KOHM,5%,1/8W,AA,TP,1.8X3.2M
5	RM358	2001-000258	R-CARBON:1.8KOHM,5%,1/8W,AA,TP,1.8X3.2M
5	RM339	2001-000258	R-CARBON:1.8KOHM,5%,1/8W,AA,TP,1.8X3.2M
5	RM623	2001-000273	R-CARBON:100KOHM,5%,1/8W,AA,TP,1.8X3.2M
5	R915	2001-000281	R-CARBON:100OHM,5%,1/8W,AA,TP,1.8X3.2MM
5	R916	2001-000281	R-CARBON:100OHM,5%,1/8W,AA,TP,1.8X3.2MM
5	R917	2001-000281	R-CARBON:100OHM,5%,1/8W,AA,TP,1.8X3.2MM
5	R911	2001-000281	R-CARBON:100OHM,5%,1/8W,AA,TP,1.8X3.2MM
5	R910	2001-000281	R-CARBON:100OHM,5%,1/8W,AA,TP,1.8X3.2MM
5	R909	2001-000281	R-CARBON:100OHM,5%,1/8W,AA,TP,1.8X3.2MM
5	RM668	2001-000281	R-CARBON:100OHM,5%,1/8W,AA,TP,1.8X3.2MM
5	RM667	2001-000281	R-CARBON:100OHM,5%,1/8W,AA,TP,1.8X3.2MM
5	RM666	2001-000281	R-CARBON:100OHM,5%,1/8W,AA,TP,1.8X3.2MM
5	RM665	2001-000281	R-CARBON:100OHM,5%,1/8W,AA,TP,1.8X3.2MM
5	RM664	2001-000281	R-CARBON:100OHM,5%,1/8W,AA,TP,1.8X3.2MM
5	RM663	2001-000281	R-CARBON:100OHM,5%,1/8W,AA,TP,1.8X3.2MM
5	R503	2001-000281	R-CARBON:100OHM,5%,1/8W,AA,TP,1.8X3.2MM
5	R502	2001-000281	R-CARBON:100OHM,5%,1/8W,AA,TP,1.8X3.2MM
5	R501	2001-000281	R-CARBON:100OHM,5%,1/8W,AA,TP,1.8X3.2MM
5	R216	2001-000281	R-CARBON:100OHM,5%,1/8W,AA,TP,1.8X3.2MM
5	R209	2001-000281	R-CARBON:100OHM,5%,1/8W,AA,TP,1.8X3.2MM
5	R208	2001-000281	R-CARBON:100OHM,5%,1/8W,AA,TP,1.8X3.2MM
5	R908	2001-000281	R-CARBON:100OHM,5%,1/8W,AA,TP,1.8X3.2MM
5	R906	2001-000281	R-CARBON:100OHM,5%,1/8W,AA,TP,1.8X3.2MM
5	R905	2001-000281	R-CARBON:100OHM,5%,1/8W,AA,TP,1.8X3.2MM
5	R712	2001-000281	R-CARBON:100OHM,5%,1/8W,AA,TP,1.8X3.2MM
5	R901	2001-000281	R-CARBON:100OHM,5%,1/8W,AA,TP,1.8X3.2MM
5	R902	2001-000281	R-CARBON:100OHM,5%,1/8W,AA,TP,1.8X3.2MM
5	RM639	2001-000290	R-CARBON:10KOHM,5%,1/8W,AA,TP,1.8X3.2MM
5	RM637	2001-000290	R-CARBON:10KOHM,5%,1/8W,AA,TP,1.8X3.2MM



Electrical Parts List

Loc. No.	Code No.	Description ; Specification	Remark
5	R717	2001-000969	R-CARBON:750HM,5%,1/8W,AA,TP,1.8X3.2MM
5	R720	2001-000969	R-CARBON:750HM,5%,1/8W,AA,TP,1.8X3.2MM
5	R222	2001-000969	R-CARBON:750HM,5%,1/8W,AA,TP,1.8X3.2MM
5	R701	2001-000969	R-CARBON:750HM,5%,1/8W,AA,TP,1.8X3.2MM
5	R705	2001-000969	R-CARBON:750HM,5%,1/8W,AA,TP,1.8X3.2MM
5	R708	2001-000969	R-CARBON:750HM,5%,1/8W,AA,TP,1.8X3.2MM
5	R713	2001-000969	R-CARBON:750HM,5%,1/8W,AA,TP,1.8X3.2MM
5	RM338	2001-000977	R-CARBON:8.2KOHM,5%,1/8W,AA,TP,1.8X3.2M
5	RM378	2001-000995	R-CARBON:820OHM,5%,1/8W,AA,TP,1.8X3.2MM
5	RM371	2001-001000	R-CARBON:82KOHM,5%,1/8W,AA,TP,1.8X3.2MM
5	R224	2001-001026	R-CARBON:910OHM,5%,1/8W,AA,TP,1.8X3.2MM
5	R213	2004-001914	R-METAL:39Kohm,2%,1/8W,AA,TP,1.8x3.5mm
5	RM630	2008-000253	R-FUSIBLE(S):0.47ohm,5%,1W,AF,TP,3.9x10m
5	CM319	2201-000345	C-CERAMIC,DISC:0.2NF,5%,50V,SL,TP,7X3MM,
5	C226	2201-000472	C-CERAMIC,DISC:0.33nF,5%,50V,SL,TP,8.5x3
5	CM316	2201-000499	C-CERAMIC,DISC:0.39nF,5%,50V,SL,TP,8.5x3
5	C906	2201-000573	C-CERAMIC,DISC:0.047NF,5%,50V,COG,TP,5X3
5	C905	2201-000573	C-CERAMIC,DISC:0.047NF,5%,50V,COG,TP,5X3
5	CM359	2201-000611	C-CERAMIC,DISC:0.056NF,5%,50V,COG,TP,7X3
5	CM360	2201-000611	C-CERAMIC,DISC:0.056NF,5%,50V,COG,TP,7X3
5	CM315	2201-002031	C-CERAMIC,DISC:0.005NF,0.5PF,50V,COG,TP,
5	CM640	2202-000121	C-CERAMIC,MLC-AXIAL:100pF,10%,50V,Y5P,TP
5	CM613	2202-000127	C-CERAMIC,MLC-AXIAL:10nF,+80-20%,25V,Y5V
5	CM612	2202-000127	C-CERAMIC,MLC-AXIAL:10nF,+80-20%,25V,Y5V
5	CM397	2202-000127	C-CERAMIC,MLC-AXIAL:10nF,+80-20%,25V,Y5V
5	CM396	2202-000127	C-CERAMIC,MLC-AXIAL:10nF,+80-20%,25V,Y5V
5	CM379	2202-000127	C-CERAMIC,MLC-AXIAL:10nF,+80-20%,25V,Y5V
5	CM378	2202-000127	C-CERAMIC,MLC-AXIAL:10nF,+80-20%,25V,Y5V
5	CM615	2202-000127	C-CERAMIC,MLC-AXIAL:10nF,+80-20%,25V,Y5V
5	CT19	2202-000127	C-CERAMIC,MLC-AXIAL:10nF,+80-20%,25V,Y5V
5	CM656	2202-000127	C-CERAMIC,MLC-AXIAL:10nF,+80-20%,25V,Y5V
5	CM635	2202-000127	C-CERAMIC,MLC-AXIAL:10nF,+80-20%,25V,Y5V
5	CM634	2202-000127	C-CERAMIC,MLC-AXIAL:10nF,+80-20%,25V,Y5V
5	CM624	2202-000127	C-CERAMIC,MLC-AXIAL:10nF,+80-20%,25V,Y5V
5	CM621	2202-000127	C-CERAMIC,MLC-AXIAL:10nF,+80-20%,25V,Y5V
5	CM330	2202-000127	C-CERAMIC,MLC-AXIAL:10nF,+80-20%,25V,Y5V
5	CM321	2202-000127	C-CERAMIC,MLC-AXIAL:10nF,+80-20%,25V,Y5V
5	CM313	2202-000127	C-CERAMIC,MLC-AXIAL:10nF,+80-20%,25V,Y5V
5	C602	2202-000127	C-CERAMIC,MLC-AXIAL:10nF,+80-20%,25V,Y5V
5	C106	2202-000127	C-CERAMIC,MLC-AXIAL:10nF,+80-20%,25V,Y5V
5	C102	2202-000127	C-CERAMIC,MLC-AXIAL:10nF,+80-20%,25V,Y5V
5	CM334	2202-000127	C-CERAMIC,MLC-AXIAL:10nF,+80-20%,25V,Y5V
5	CM349	2202-000127	C-CERAMIC,MLC-AXIAL:10nF,+80-20%,25V,Y5V
5	CM341	2202-000127	C-CERAMIC,MLC-AXIAL:10nF,+80-20%,25V,Y5V
5	CM338	2202-000127	C-CERAMIC,MLC-AXIAL:10nF,+80-20%,25V,Y5V
5	CM337	2202-000127	C-CERAMIC,MLC-AXIAL:10nF,+80-20%,25V,Y5V
5	CM336	2202-000127	C-CERAMIC,MLC-AXIAL:10nF,+80-20%,25V,Y5V
5	CM335	2202-000127	C-CERAMIC,MLC-AXIAL:10nF,+80-20%,25V,Y5V
5	CM318	2202-000162	C-CERAMIC,MLC-AXIAL:0.015NF,5%,50V,SL,TP
5	CM636	2202-000183	C-CERAMIC,MLC-AXIAL:2.2NF,20%,16V,Y5R,TP
5	CM637	2202-000183	C-CERAMIC,MLC-AXIAL:2.2NF,20%,16V,Y5R,TP
5	CM610	2202-000205	C-CERAMIC,MLC-AXIAL:22pF,5%,50V,SL,TP,1.
5	CM609	2202-000205	C-CERAMIC,MLC-AXIAL:22pF,5%,50V,SL,TP,1.
5	CM314	2202-000216	C-CERAMIC,MLC-AXIAL:0.027NF,5%,50V,SL,TP
5	C716	2202-000231	C-CERAMIC,MLC-AXIAL:330pF,10%,50V,Y5P,TP
5	C715	2202-000231	C-CERAMIC,MLC-AXIAL:330pF,10%,50V,Y5P,TP
5	C703	2202-000231	C-CERAMIC,MLC-AXIAL:330pF,10%,50V,Y5P,TP
5	C731	2202-000243	C-CERAMIC,MLC-AXIAL:33pF,5%,50V,SL,TP,3.
5	CM638	2202-000263	C-CERAMIC,MLC-AXIAL:470pF,10%,50V,Y5P,TP
5	CM395	2202-000279	C-CERAMIC,MLC-AXIAL:47pF,5%,50V,SL,TP,3.
5	CM606	2202-000632	C-CERAMIC,MLC-AXIAL:100nF,20%,50V,Z5U,TP
5	CM394	2202-000632	C-CERAMIC,MLC-AXIAL:100nF,20%,50V,Z5U,TP
5	CM393	2202-000632	C-CERAMIC,MLC-AXIAL:100nF,20%,50V,Z5U,TP
5	CM367	2202-000632	C-CERAMIC,MLC-AXIAL:100nF,20%,50V,Z5U,TP
5	CM358	2202-000632	C-CERAMIC,MLC-AXIAL:100nF,20%,50V,Z5U,TP
5	CM659	2202-000632	C-CERAMIC,MLC-AXIAL:100nF,20%,50V,Z5U,TP
5	CM652	2202-000632	C-CERAMIC,MLC-AXIAL:100nF,20%,50V,Z5U,TP
5	CM651	2202-000632	C-CERAMIC,MLC-AXIAL:100nF,20%,50V,Z5U,TP
5	CM631	2202-000632	C-CERAMIC,MLC-AXIAL:100nF,20%,50V,Z5U,TP
5	CM607	2202-000632	C-CERAMIC,MLC-AXIAL:100nF,20%,50V,Z5U,TP
5	CM327	2202-000632	C-CERAMIC,MLC-AXIAL:100nF,20%,50V,Z5U,TP
5	CM301	2202-000632	C-CERAMIC,MLC-AXIAL:100nF,20%,50V,Z5U,TP
5	C231	2202-000632	C-CERAMIC,MLC-AXIAL:100nF,20%,50V,Z5U,TP
5	C205	2202-000632	C-CERAMIC,MLC-AXIAL:100nF,20%,50V,Z5U,TP
5	C204	2202-000632	C-CERAMIC,MLC-AXIAL:100nF,20%,50V,Z5U,TP
5	CM354	2202-000632	C-CERAMIC,MLC-AXIAL:100nF,20%,50V,Z5U,TP
5	CM352	2202-000632	C-CERAMIC,MLC-AXIAL:100nF,20%,50V,Z5U,TP

Loc. No.	Code No.	Description ; Specification	Remark
5	CM342	2202-000632	C-CERAMIC,MLC-AXIAL:100nF,20%,50V,Z5U,TP
5	CM339	2202-000632	C-CERAMIC,MLC-AXIAL:100nF,20%,50V,Z5U,TP
5	CM329	2202-000632	C-CERAMIC,MLC-AXIAL:100nF,20%,50V,Z5U,TP
5	CM617	2202-000718	C-CERAMIC,MLC-AXIAL:3.9nF,20%,16V,Y5R,TP
5	CM616	2202-000718	C-CERAMIC,MLC-AXIAL:3.9nF,20%,16V,Y5R,TP
5	C704	2202-000719	C-CERAMIC,MLC-AXIAL:6.8nF,20%,16V,Y5R,TP
5	CM325	2202-000796	C-CERAMIC,MLC-AXIAL:1NF,10%,50V,Y5P,TP,3
5	CM650	2202-000796	C-CERAMIC,MLC-AXIAL:1NF,10%,50V,Y5P,TP,3
5	CM657	2202-000796	C-CERAMIC,MLC-AXIAL:1NF,10%,50V,Y5P,TP,3
5	C904	2202-000796	C-CERAMIC,MLC-AXIAL:1NF,10%,50V,Y5P,TP,3
5	C224	2202-000796	C-CERAMIC,MLC-AXIAL:1NF,10%,50V,Y5P,TP,3
5	C223	2202-000796	C-CERAMIC,MLC-AXIAL:1NF,10%,50V,Y5P,TP,3
5	CM601	2202-000806	C-CERAMIC,MLC-AXIAL:220pF,10%,50V,Y5P,TP
5	CM630	2202-000807	C-CERAMIC,MLC-AXIAL:22nF,+80-20%,25V,Y5V
5	CM629	2202-000807	C-CERAMIC,MLC-AXIAL:22nF,+80-20%,25V,Y5V
5	CM628	2202-000807	C-CERAMIC,MLC-AXIAL:22nF,+80-20%,25V,Y5V
5	CM622	2202-000807	C-CERAMIC,MLC-AXIAL:22nF,+80-20%,25V,Y5V
5	CM604	2202-000807	C-CERAMIC,MLC-AXIAL:22nF,+80-20%,25V,Y5V
5	CM351	2202-000807	C-CERAMIC,MLC-AXIAL:22nF,+80-20%,25V,Y5V
5	CM347	2202-000807	C-CERAMIC,MLC-AXIAL:22nF,+80-20%,25V,Y5V
5		0203-001123	TAPE-PAPER:#53131,TO.15,W6.0,L200000,YEL
5	CM320	2202-000849	C-CERAMIC,MLC-AXIAL:18pF,5%,50V,CH,TP,3.
5	C211	2202-002037	C-CERAMIC,MLC-AXIAL:100nF,80-20%,50V,Y5V
5	C911	2202-002037	C-CERAMIC,MLC-AXIAL:100nF,80-20%,50V,Y5V
5	CL08	2202-002037	C-CERAMIC,MLC-AXIAL:100nF,80-20%,50V,Y5V
5	CM350	2202-002055	C-CERAMIC,MLC-AXIAL:47nF,+80-20%,50V,Y5V
5	CM345	2202-002055	C-CERAMIC,MLC-AXIAL:47nF,+80-20%,50V,Y5V
5	CM309	2202-002055	C-CERAMIC,MLC-AXIAL:47nF,+80-20%,50V,Y5V
5	C227	2301-000104	C-FILM,PEF:1.2NF,5%,50V,TP,6.5X3.0X5.5MM
5	CM372	2301-000160	C-FILM,PEF:12nF,5%,50V,TP,11.0x6.0x9.0mm
5	CM368	2301-000175	C-FILM,PEF:15nF,5%,50V,TP,7.1x3.5x13mm,5
5	CM306	2301-000192	C-FILM,PEF:1nF,5%,50V,TP,5.3x10mm,5mm
5	C201	2301-000204	C-FILM,PEF:2.7nF,5%,50V,TP,7.4x3.9x13mm,
5	C604	2301-000204	C-FILM,PEF:2.7nF,5%,50V,TP,7.4x3.9x13mm,
5	C108	2301-000224	C-FILM,PEF:22nF,5%,50V,TP,7.4x3.9x13mm,5
5	CM370	2301-000254	C-FILM,PEF:39nF,5%,50V,TP,7.5x3.5x6.5mm,
5	CM362	2301-000301	C-FILM,PEF:6.8nF,5%,50V,TP,6.5X5.5X3.0X5
5	CM363	2301-000301	C-FILM,PEF:6.8nF,5%,50V,TP,6.5X5.5X3.0X5
5	CM371	2301-000301	C-FILM,PEF:6.8nF,5%,50V,TP,6.5X5.5X3.0X5
5	CM603	2301-000310	C-FILM,PEF:68nF,5%,50V,TP,8.0X8.5X4.0X5,
5	CM364	2301-000314	C-FILM,PEF:8.2nF,5%,50V,TP,6.5x3.0x5.5mm
5	C217	2301-000342	C-FILM,PEF:2.2nF,5%,50V,TP,7.4x3.9x13mm,
5	CM305	2301-000342	C-FILM,PEF:2.2nF,5%,50V,TP,7.4x3.9x13mm,
5	CM303	2301-000383	C-FILM,PEF:10nF,5%,50V,TP,6x7x3.2mm,5mm
5	C903	2301-000383	C-FILM,PEF:10nF,5%,50V,TP,6x7x3.2mm,5mm
5	C232	2301-000445	C-FILM,PEF:4.7nF,5%,50V,TP,5.5x7x3mm,5mm
5	CM660	2305-000289	C-FILM,MPEF:220nF,5%,63V,TP,-,5mm
5	C712	2305-000289	C-FILM,MPEF:220nF,5%,63V,TP,-,5mm
5	C216	2305-000289	C-FILM,MPEF:220nF,5%,63V,TP,-,5mm
5	C215	2305-000289	C-FILM,MPEF:220nF,5%,63V,TP,-,5mm
5	C901	2305-000412	C-FILM,MPEF:470nF,5%,63V,TP,-,5mm
5	C207	2305-000412	C-FILM,MPEF:470nF,5%,63V,TP,-,5mm
5	CM311	2305-000665	C-FILM,MPEF:100nF,5%,63V,TP,7.5x4.0x5.0m
5	C909	2305-000665	C-FILM,MPEF:100nF,5%,63V,TP,7.5x4.0x5.0m
5	C230	2305-000665	C-FILM,MPEF:100nF,5%,63V,TP,7.5x4.0x5.0m
5	C218	2305-000665	C-FILM,MPEF:100nF,5%,63V,TP,7.5x4.0x5.0m
5	C210	2305-000665	C-FILM,MPEF:100nF,5%,63V,TP,7.5x4.0x5.0m
5	C208	2305-000665	C-FILM,MPEF:100nF,5%,63V,TP,7.5x4.0x5.0m
5	C225	2309-000138	C-FILM,PE-PFF:100nF,5%,50V,TP,20x16x8.5,
5	C233	2401-000027	C-AL:4.7uF,20%,50V,GP,TP,5x11.5
5	C104	2401-000939	C-AL:22uF,20%,25V,GP,TP,5x11.5
5	CM332	2401-000426	C-AL:10uF,20%,16V,GP,TP,3.5x5.5
5	CM323	2401-000426	C-AL:10uF,20%,16V,GP,TP,3.5x5.5
5	CM304	2401-000426	C-AL:10uF,20%,16V,GP,TP,3.5x5.5
5	CM361	2401-000590	C-AL:1uF,20%,50V,GP,TP,3x5.5
5	CM348	2401-000590	C-AL:1uF,20%,50V,GP,TP,3x5.5
5	CM333	2401-000590	C-AL:1uF,20%,50V,GP,TP,3x5.5
5	CM331	2401-000590	C-AL:1uF,20%,50V,GP,TP,3x5.5
5	CM317	2401-000590	C-AL:1uF,20%,50V,GP,TP,3x5.5
5	CM310	2401-000590	C-AL:1uF,20%,50V,GP,TP,3x5.5
5	C605	2401-000590	C-AL:1uF,20%,50V,GP,TP,3x5.5
5	CM611	2401-000598	C-AL:1uF,20%,50V,GP,TP,4x7.5
5	CM346	2401-000598	C-AL:1uF,20%,50V,GP,TP,4x7.5
5	CM344	2401-000598	C-AL:1uF,20%,50V,GP,TP,4x7.5
5	C219	2401-000603	C-AL:1uF,20%,50V,GP,TP,5x11.5
5	CM392	2401-000603	C-AL:1uF,20%,50V,GP,TP,5x11.5
5	C212	2401-000647	C-AL:2.2uF,20%,50V,BP,TP,5x11.5

Loc. No.	Code No.	Description ; Specification	Remark
5	C221	2401-000660	C-AL; 2.2uF, 20%, 50V, GP, TP, 5x11, 5
5	CM308	2401-000665	C-AL; 2.2uF, 20%, 50V, GP, TP, 3.5x5, 5
5	CM355	2401-000922	C-AL; 22uF, 20%, 16V, GP, TP, 5x5, 5
5	CM324	2401-000922	C-AL; 22uF, 20%, 16V, GP, TP, 5x5, 5
5	C606	2401-000922	C-AL; 22uF, 20%, 16V, GP, TP, 5x5, 5
5	C101	2401-001101	C-AL; 330uF, 20%, 16V, GP, TP, 8x11.5, 5
5	CT18	2401-001101	C-AL; 330uF, 20%, 16V, GP, TP, 8x11.5, 5
5	C601	2401-001115	C-AL; 330uF, 20%, 25V, GP, TP, 10x12.5, 5
5	CM307	2401-001250	C-AL; 4.7uF, 20%, 35V, GP, TP, 4x5, 5
5	CM365	2401-001250	C-AL; 4.7uF, 20%, 35V, GP, TP, 4x5, 5
5	CM639	2401-001250	C-AL; 4.7uF, 20%, 35V, GP, TP, 4x5, 5
5	CM326	2401-001325	C-AL; 470nF, 20%, 50V, GP, TP, 3x5, 5
5	CM605	2401-001496	C-AL; 47uF, 20%, 16V, GP, TP, 5x7, 5
5	CM602	2401-001496	C-AL; 47uF, 20%, 16V, GP, TP, 5x7, 5
5	CM399	2401-001496	C-AL; 47uF, 20%, 16V, GP, TP, 5x7, 5
5	CM373	2401-001496	C-AL; 47uF, 20%, 16V, GP, TP, 5x7, 5
5	CM312	2401-001496	C-AL; 47uF, 20%, 16V, GP, TP, 5x7, 5
5	CM340	2401-001496	C-AL; 47uF, 20%, 16V, GP, TP, 5x7, 5
5	CM343	2401-001496	C-AL; 47uF, 20%, 16V, GP, TP, 5x7, 5
5	C603	2401-001496	C-AL; 47uF, 20%, 16V, GP, TP, 5x7, 5
5	CM632	2401-001840	C-AL; 100uF, 20%, 16V, GP, TP, 6.3x11, 5
5	C907	2401-001840	C-AL; 100uF, 20%, 16V, GP, TP, 6.3x11, 5
5	C902	2401-001840	C-AL; 100uF, 20%, 16V, GP, TP, 6.3x11, 5
5	C229	2401-001840	C-AL; 100uF, 20%, 16V, GP, TP, 6.3x11, 5
5	C209	2401-001840	C-AL; 100uF, 20%, 16V, GP, TP, 6.3x11, 5
5	C213	2401-001840	C-AL; 100uF, 20%, 16V, GP, TP, 6.3x11, 5
5	C214	2401-001840	C-AL; 100uF, 20%, 16V, GP, TP, 6.3x11, 5
5	C228	2401-001989	C-AL; 4.7uF, 20%, 50V, BP, TP, 5x11, 5
5	CM623	2401-001998	C-AL; 1000uF, 20%, 25V, GP, TP, 10x20, 5mm
5	CM641	2401-002009	C-AL; 100uF, 20%, 16V, GP, TP, 6.3x7, 5
5	CM357	2401-002144	C-AL; 47uF, 20%, 16V, GP, TP, 5x11, 5
5	CM353	2401-002144	C-AL; 47uF, 20%, 16V, GP, TP, 5x11, 5
5	C711	2401-002235	C-AL; 10uF, 20%, 16V, GP, TP, 5x11mm, 5mm
5	C713	2401-002235	C-AL; 10uF, 20%, 16V, GP, TP, 5x11mm, 5mm
5	C714	2401-002235	C-AL; 10uF, 20%, 16V, GP, TP, 5x11mm, 5mm
5	C717	2401-002235	C-AL; 10uF, 20%, 16V, GP, TP, 5x11mm, 5mm
5	CL06	2401-002235	C-AL; 10uF, 20%, 16V, GP, TP, 5x11mm, 5mm
5	CM328	2401-002235	C-AL; 10uF, 20%, 16V, GP, TP, 5x11mm, 5mm
5	C710	2401-002235	C-AL; 10uF, 20%, 16V, GP, TP, 5x11mm, 5mm
5	C103	2401-002235	C-AL; 10uF, 20%, 16V, GP, TP, 5x11mm, 5mm
5	C206	2401-002235	C-AL; 10uF, 20%, 16V, GP, TP, 5x11mm, 5mm
5	C220	2401-002235	C-AL; 10uF, 20%, 16V, GP, TP, 5x11mm, 5mm
5	C234	2401-002235	C-AL; 10uF, 20%, 16V, GP, TP, 5x11mm, 5mm
5	C701	2401-002235	C-AL; 10uF, 20%, 16V, GP, TP, 5x11mm, 5mm
5	C702	2401-002235	C-AL; 10uF, 20%, 16V, GP, TP, 5x11mm, 5mm
5	CM356	2401-002462	C-AL; 33uF, 20%, 16V, GP, TP, 5x11, 5
5	C203	2401-002462	C-AL; 33uF, 20%, 16V, GP, TP, 5x11, 5
5	C202	2401-002462	C-AL; 33uF, 20%, 16V, GP, TP, 5x11, 5
5	CM618	2401-002463	C-AL; 470uF, 20%, 16V, GP, TP, 8x11.5, 5
5	C705	2401-002463	C-AL; 470uF, 20%, 16V, GP, TP, 8x11.5, 5
5	LM603	2701-000002	INDUCTOR-AXIAL; 100uH, 10%, 4.2x9.8mm
5	LM602	2701-000002	INDUCTOR-AXIAL; 100uH, 10%, 4.2x9.8mm
5	LM306	2701-000002	INDUCTOR-AXIAL; 100uH, 10%, 4.2x9.8mm
5	LM301	2701-000002	INDUCTOR-AXIAL; 100uH, 10%, 4.2x9.8mm
5	LM307	2701-000114	INDUCTOR-AXIAL; 10uH, 10%, 2.5x3.4mm
5	LM305	2701-000114	INDUCTOR-AXIAL; 10uH, 10%, 2.5x3.4mm
5	LM304	2701-000114	INDUCTOR-AXIAL; 10uH, 10%, 2.5x3.4mm
5	LM309	2701-000114	INDUCTOR-AXIAL; 10uH, 10%, 2.5x3.4mm
5	LM601	2701-000114	INDUCTOR-AXIAL; 10uH, 10%, 2.5x3.4mm
5	LM604	2701-000114	INDUCTOR-AXIAL; 10uH, 10%, 2.5x3.4mm
5	LM605	2701-000114	INDUCTOR-AXIAL; 10uH, 10%, 2.5x3.4mm
5	L201	2701-000114	INDUCTOR-AXIAL; 10uH, 10%, 2.5x3.4mm
5	L202	2701-000114	INDUCTOR-AXIAL; 10uH, 10%, 2.5x3.4mm
5	L203	2701-000114	INDUCTOR-AXIAL; 10uH, 10%, 2.5x3.4mm
5	L701	2701-000114	INDUCTOR-AXIAL; 10uH, 10%, 2.5x3.4mm
5	L902	2701-000114	INDUCTOR-AXIAL; 10uH, 10%, 2.5x3.4mm
5	L704	2701-000114	INDUCTOR-AXIAL; 10uH, 10%, 2.5x3.4mm
5	L702	2701-000114	INDUCTOR-AXIAL; 10uH, 10%, 2.5x3.4mm
5	LM303	2701-000118	INDUCTOR-AXIAL; 120uH, 10%, 2.5x3.4mm
5	L206	2701-000142	INDUCTOR-AXIAL; 1uH, 10%, 2.5x3.4mm
5	L205	2701-000142	INDUCTOR-AXIAL; 1uH, 10%, 2.5x3.4mm
5	L102	2701-000159	INDUCTOR-AXIAL; 22uH, 10%, 4.2x9.8mm
5	L204	2701-000169	INDUCTOR-AXIAL; 3.9uH, 10%, 2.5x3.4mm
5	L101	2701-000171	INDUCTOR-AXIAL; 330nH, 10%, 2.5x3.4mm
5	L903	2701-000180	INDUCTOR-AXIAL; 33uH, 5%, 2.5x3.4mm
5	L901	2701-000180	INDUCTOR-AXIAL; 33uH, 5%, 2.5x3.4mm
5	LM310	2701-000180	INDUCTOR-AXIAL; 33uH, 5%, 2.5x3.4mm

Loc. No.	Code No.	Description ; Specification	Remark
5	LM302	2701-000207	INDUCTOR-AXIAL; 56uH, 5%, 2.5x3.4mm
5	LM308	2702-000120	INDUCTOR-RADIAL; 15mH, 5%, 6.2x7.4mm
5	XTM601	2801-003750	CRYSTAL-UNIT; 8MHz, 30PPM, 28-AAA, 22PF, 800H
5	X901	2801-003937	CRYSTAL-UNIT; 12MHz, 25ppm, 28-AAM, 30pF, 30o
5	L104	2901-000299	FILTER-EMI ON BOARD; -, 6A, UL/CSA, -, 9x7.5,
5	L103	2901-000299	FILTER-EMI ON BOARD; -, 6A, UL/CSA, -, 9x7.5,
5	Z202	2903-000181	FILTER-CERAMIC; BR, 5.5MHz, -, -, -, TP, TPSS 5
5	Z201	2903-001040	FILTER-CERAMIC; TR, 5.5/6.0/6.5MHz, -, 1dB, -
5	SWM706	3404-000244	SWITCH-TACT; 15V, 20mA, 90-170gf, 7.5x7mm, SP
5	SWM707	3404-000244	SWITCH-TACT; 15V, 20mA, 90-170gf, 7.5x7mm, SP
5	SWM708	3404-000244	SWITCH-TACT; 15V, 20mA, 90-170gf, 7.5x7mm, SP
5	SWM709	3404-000244	SWITCH-TACT; 15V, 20mA, 90-170gf, 7.5x7mm, SP
5	SWM705	3404-000244	SWITCH-TACT; 15V, 20mA, 90-170gf, 7.5x7mm, SP
5	SWM701	3404-000244	SWITCH-TACT; 15V, 20mA, 90-170gf, 7.5x7mm, SP
5	SWM702	3404-000244	SWITCH-TACT; 15V, 20mA, 90-170gf, 7.5x7mm, SP
5	SWM703	3404-000244	SWITCH-TACT; 15V, 20mA, 90-170gf, 7.5x7mm, SP
5	SWM704	3404-000244	SWITCH-TACT; 15V, 20mA, 90-170gf, 7.5x7mm, SP
5	JB902	3812-000219	WIRE-NO SHEATH CU; TCWA, 300V, 52mm(TAPING)
5	JB903	3812-000219	WIRE-NO SHEATH CU; TCWA, 300V, 52mm(TAPING)
5	JB905	3812-000219	WIRE-NO SHEATH CU; TCWA, 300V, 52mm(TAPING)
5	JB906	3812-000219	WIRE-NO SHEATH CU; TCWA, 300V, 52mm(TAPING)
5	JB907	3812-000219	WIRE-NO SHEATH CU; TCWA, 300V, 52mm(TAPING)
5	JB901	3812-000219	WIRE-NO SHEATH CU; TCWA, 300V, 52mm(TAPING)
5	JB802	3812-000219	WIRE-NO SHEATH CU; TCWA, 300V, 52mm(TAPING)
5	JB803	3812-000219	WIRE-NO SHEATH CU; TCWA, 300V, 52mm(TAPING)
5	JB804	3812-000219	WIRE-NO SHEATH CU; TCWA, 300V, 52mm(TAPING)
5	JB805	3812-000219	WIRE-NO SHEATH CU; TCWA, 300V, 52mm(TAPING)
5	JB806	3812-000219	WIRE-NO SHEATH CU; TCWA, 300V, 52mm(TAPING)
5	JB908	3812-000219	WIRE-NO SHEATH CU; TCWA, 300V, 52mm(TAPING)
5	JG006	3812-000219	WIRE-NO SHEATH CU; TCWA, 300V, 52mm(TAPING)
5	JG007	3812-000219	WIRE-NO SHEATH CU; TCWA, 300V, 52mm(TAPING)
5	JG008	3812-000219	WIRE-NO SHEATH CU; TCWA, 300V, 52mm(TAPING)
5	JG009	3812-000219	WIRE-NO SHEATH CU; TCWA, 300V, 52mm(TAPING)
5	JG010	3812-000219	WIRE-NO SHEATH CU; TCWA, 300V, 52mm(TAPING)
5	JG005	3812-000219	WIRE-NO SHEATH CU; TCWA, 300V, 52mm(TAPING)
5	JB909	3812-000219	WIRE-NO SHEATH CU; TCWA, 300V, 52mm(TAPING)
5	JG001	3812-000219	WIRE-NO SHEATH CU; TCWA, 300V, 52mm(TAPING)
5	JG002	3812-000219	WIRE-NO SHEATH CU; TCWA, 300V, 52mm(TAPING)
5	JG003	3812-000219	WIRE-NO SHEATH CU; TCWA, 300V, 52mm(TAPING)
5	JG004	3812-000219	WIRE-NO SHEATH CU; TCWA, 300V, 52mm(TAPING)
5	JB5V12	3812-000219	WIRE-NO SHEATH CU; TCWA, 300V, 52mm(TAPING)
5	JA5V05	3812-000219	WIRE-NO SHEATH CU; TCWA, 300V, 52mm(TAPING)
5	JA5V09	3812-000219	WIRE-NO SHEATH CU; TCWA, 300V, 52mm(TAPING)
5	JA5V10	3812-000219	WIRE-NO SHEATH CU; TCWA, 300V, 52mm(TAPING)
5	JA5V12	3812-000219	WIRE-NO SHEATH CU; TCWA, 300V, 52mm(TAPING)
5	JA5V13	3812-000219	WIRE-NO SHEATH CU; TCWA, 300V, 52mm(TAPING)
5	JA5V01	3812-000219	WIRE-NO SHEATH CU; TCWA, 300V, 52mm(TAPING)
5	J272	3812-000219	WIRE-NO SHEATH CU; TCWA, 300V, 52mm(TAPING)
5	J273	3812-000219	WIRE-NO SHEATH CU; TCWA, 300V, 52mm(TAPING)
5	J275	3812-000219	WIRE-NO SHEATH CU; TCWA, 300V, 52mm(TAPING)
5	J276	3812-000219	WIRE-NO SHEATH CU; TCWA, 300V, 52mm(TAPING)
5	JA33	3812-000219	WIRE-NO SHEATH CU; TCWA, 300V, 52mm(TAPING)
5	JB1201	3812-000219	WIRE-NO SHEATH CU; TCWA, 300V, 52mm(TAPING)
5	JB5V04	3812-000219	WIRE-NO SHEATH CU; TCWA, 300V, 52mm(TAPING)
5	JB5V07	3812-000219	WIRE-NO SHEATH CU; TCWA, 300V, 52mm(TAPING)
5	JB5V08	3812-000219	WIRE-NO SHEATH CU; TCWA, 300V, 52mm(TAPING)
5	JB5V09	3812-000219	WIRE-NO SHEATH CU; TCWA, 300V, 52mm(TAPING)
5	JB5V11	3812-000219	WIRE-NO SHEATH CU; TCWA, 300V, 52mm(TAPING)
5	JB5V03	3812-000219	WIRE-NO SHEATH CU; TCWA, 300V, 52mm(TAPING)
5	JB1203	3812-000219	WIRE-NO SHEATH CU; TCWA, 300V, 52mm(TAPING)
5	JB3301	3812-000219	WIRE-NO SHEATH CU; TCWA, 300V, 52mm(TAPING)
5	JB3302	3812-000219	WIRE-NO SHEATH CU; TCWA, 300V, 52mm(TAPING)
5	JB5V01	3812-000219	WIRE-NO SHEATH CU; TCWA, 300V, 52mm(TAPING)
5	JB5V02	3812-000219	WIRE-NO SHEATH CU; TCWA, 300V, 52mm(TAPING)
5	JG042	3812-000219	WIRE-NO SHEATH CU; TCWA, 300V, 52mm(TAPING)
5	JG043	3812-000219	WIRE-NO SHEATH CU; TCWA, 300V, 52mm(TAPING)
5	JG046	3812-000219	WIRE-NO SHEATH CU; TCWA, 300V, 52mm(TAPING)
5	JJ02	3812-000219	WIRE-NO SHEATH CU; TCWA, 300V, 52mm(TAPING)
5	JP01	3812-000219	WIRE-NO SHEATH CU; TCWA, 300V, 52mm(TAPING)
5	JG041	3812-000219	WIRE-NO SHEATH CU; TCWA, 300V, 52mm(TAPING)
5	JG036	3812-000219	WIRE-NO SHEATH CU; TCWA, 300V, 52mm(TAPING)
5	JG037	3812-000219	WIRE-NO SHEATH CU; TCWA, 300V, 52mm(TAPING)
5	JG038	3812-000219	WIRE-NO SHEATH CU; TCWA, 300V, 52mm(TAPING)
5	JG039	3812-000219	WIRE-NO SHEATH CU; TCWA, 300V, 52mm(TAPING)
5	JG040	3812-000219	WIRE-NO SHEATH CU; TCWA, 300V, 52mm(TAPING)
5	JP03	3812-000219	WIRE-NO SHEATH CU; TCWA, 300V, 52mm(TAPING)
5	JPM303	3812-000219	WIRE-NO SHEATH CU; TCWA, 300V, 52mm(TAPING)

Electrical Parts List

Loc. No.	Code No.	Description ; Specification	Remark
5	JPM306	3812-000219 WIRE-NO SHEATH CU:TCWA,300V,52mm(TAPING)	
5	JTV500	3812-000219 WIRE-NO SHEATH CU:TCWA,300V,52mm(TAPING)	
5	JTV501	3812-000219 WIRE-NO SHEATH CU:TCWA,300V,52mm(TAPING)	
5	L703	3812-000219 WIRE-NO SHEATH CU:TCWA,300V,52mm(TAPING)	
5	JPM302	3812-000219 WIRE-NO SHEATH CU:TCWA,300V,52mm(TAPING)	
5	JP04	3812-000219 WIRE-NO SHEATH CU:TCWA,300V,52mm(TAPING)	
5	JP05	3812-000219 WIRE-NO SHEATH CU:TCWA,300V,52mm(TAPING)	
5	JP06	3812-000219 WIRE-NO SHEATH CU:TCWA,300V,52mm(TAPING)	
5	JP10	3812-000219 WIRE-NO SHEATH CU:TCWA,300V,52mm(TAPING)	
5	JPM301	3812-000219 WIRE-NO SHEATH CU:TCWA,300V,52mm(TAPING)	
5	JG035	3812-000219 WIRE-NO SHEATH CU:TCWA,300V,52mm(TAPING)	
5	JG017	3812-000219 WIRE-NO SHEATH CU:TCWA,300V,52mm(TAPING)	
5	JG018	3812-000219 WIRE-NO SHEATH CU:TCWA,300V,52mm(TAPING)	
5	JG019	3812-000219 WIRE-NO SHEATH CU:TCWA,300V,52mm(TAPING)	
5	JG020	3812-000219 WIRE-NO SHEATH CU:TCWA,300V,52mm(TAPING)	
5	JG022	3812-000219 WIRE-NO SHEATH CU:TCWA,300V,52mm(TAPING)	
5	JG016	3812-000219 WIRE-NO SHEATH CU:TCWA,300V,52mm(TAPING)	
5	JG011	3812-000219 WIRE-NO SHEATH CU:TCWA,300V,52mm(TAPING)	
5	JG012	3812-000219 WIRE-NO SHEATH CU:TCWA,300V,52mm(TAPING)	
5	JG013	3812-000219 WIRE-NO SHEATH CU:TCWA,300V,52mm(TAPING)	
5	JG014	3812-000219 WIRE-NO SHEATH CU:TCWA,300V,52mm(TAPING)	
5	JG015	3812-000219 WIRE-NO SHEATH CU:TCWA,300V,52mm(TAPING)	
5	JG023	3812-000219 WIRE-NO SHEATH CU:TCWA,300V,52mm(TAPING)	
5	JG030	3812-000219 WIRE-NO SHEATH CU:TCWA,300V,52mm(TAPING)	
5	JG031	3812-000219 WIRE-NO SHEATH CU:TCWA,300V,52mm(TAPING)	
5	JG032	3812-000219 WIRE-NO SHEATH CU:TCWA,300V,52mm(TAPING)	
5	JG033	3812-000219 WIRE-NO SHEATH CU:TCWA,300V,52mm(TAPING)	
5	JG034	3812-000219 WIRE-NO SHEATH CU:TCWA,300V,52mm(TAPING)	
5	JG029	3812-000219 WIRE-NO SHEATH CU:TCWA,300V,52mm(TAPING)	
5	JG024	3812-000219 WIRE-NO SHEATH CU:TCWA,300V,52mm(TAPING)	
5	JG025	3812-000219 WIRE-NO SHEATH CU:TCWA,300V,52mm(TAPING)	
5	JG026	3812-000219 WIRE-NO SHEATH CU:TCWA,300V,52mm(TAPING)	
5	JG027	3812-000219 WIRE-NO SHEATH CU:TCWA,300V,52mm(TAPING)	
5	JG028	3812-000219 WIRE-NO SHEATH CU:TCWA,300V,52mm(TAPING)	
5	J150	3812-000219 WIRE-NO SHEATH CU:TCWA,300V,52mm(TAPING)	
5	J151	3812-000219 WIRE-NO SHEATH CU:TCWA,300V,52mm(TAPING)	
5	J152	3812-000219 WIRE-NO SHEATH CU:TCWA,300V,52mm(TAPING)	
5	J153	3812-000219 WIRE-NO SHEATH CU:TCWA,300V,52mm(TAPING)	
5	J158	3812-000219 WIRE-NO SHEATH CU:TCWA,300V,52mm(TAPING)	
5	J148	3812-000219 WIRE-NO SHEATH CU:TCWA,300V,52mm(TAPING)	
5	J142	3812-000219 WIRE-NO SHEATH CU:TCWA,300V,52mm(TAPING)	
5	J143	3812-000219 WIRE-NO SHEATH CU:TCWA,300V,52mm(TAPING)	
5	J144	3812-000219 WIRE-NO SHEATH CU:TCWA,300V,52mm(TAPING)	
5	J146	3812-000219 WIRE-NO SHEATH CU:TCWA,300V,52mm(TAPING)	
5	J147	3812-000219 WIRE-NO SHEATH CU:TCWA,300V,52mm(TAPING)	
5	J159	3812-000219 WIRE-NO SHEATH CU:TCWA,300V,52mm(TAPING)	
5	J169	3812-000219 WIRE-NO SHEATH CU:TCWA,300V,52mm(TAPING)	
5	J170	3812-000219 WIRE-NO SHEATH CU:TCWA,300V,52mm(TAPING)	
5	J171	3812-000219 WIRE-NO SHEATH CU:TCWA,300V,52mm(TAPING)	
5	J172	3812-000219 WIRE-NO SHEATH CU:TCWA,300V,52mm(TAPING)	
5	J173	3812-000219 WIRE-NO SHEATH CU:TCWA,300V,52mm(TAPING)	
5	J168	3812-000219 WIRE-NO SHEATH CU:TCWA,300V,52mm(TAPING)	
5	J160	3812-000219 WIRE-NO SHEATH CU:TCWA,300V,52mm(TAPING)	
5	J161	3812-000219 WIRE-NO SHEATH CU:TCWA,300V,52mm(TAPING)	
5	J162	3812-000219 WIRE-NO SHEATH CU:TCWA,300V,52mm(TAPING)	
5	J166	3812-000219 WIRE-NO SHEATH CU:TCWA,300V,52mm(TAPING)	
5	J167	3812-000219 WIRE-NO SHEATH CU:TCWA,300V,52mm(TAPING)	
5	J141	3812-000219 WIRE-NO SHEATH CU:TCWA,300V,52mm(TAPING)	
5	J109	3812-000219 WIRE-NO SHEATH CU:TCWA,300V,52mm(TAPING)	
5	J110	3812-000219 WIRE-NO SHEATH CU:TCWA,300V,52mm(TAPING)	
5	J111	3812-000219 WIRE-NO SHEATH CU:TCWA,300V,52mm(TAPING)	
5	J113	3812-000219 WIRE-NO SHEATH CU:TCWA,300V,52mm(TAPING)	
5	J117	3812-000219 WIRE-NO SHEATH CU:TCWA,300V,52mm(TAPING)	
5	J108	3812-000219 WIRE-NO SHEATH CU:TCWA,300V,52mm(TAPING)	
5	D101	3812-000219 WIRE-NO SHEATH CU:TCWA,300V,52mm(TAPING)	
5	DM601	3812-000219 WIRE-NO SHEATH CU:TCWA,300V,52mm(TAPING)	
5	J103	3812-000219 WIRE-NO SHEATH CU:TCWA,300V,52mm(TAPING)	
5	J106	3812-000219 WIRE-NO SHEATH CU:TCWA,300V,52mm(TAPING)	
5	J107	3812-000219 WIRE-NO SHEATH CU:TCWA,300V,52mm(TAPING)	
5	J120	3812-000219 WIRE-NO SHEATH CU:TCWA,300V,52mm(TAPING)	
5	J136	3812-000219 WIRE-NO SHEATH CU:TCWA,300V,52mm(TAPING)	
5	J137	3812-000219 WIRE-NO SHEATH CU:TCWA,300V,52mm(TAPING)	
5	J138	3812-000219 WIRE-NO SHEATH CU:TCWA,300V,52mm(TAPING)	
5	J139	3812-000219 WIRE-NO SHEATH CU:TCWA,300V,52mm(TAPING)	
5	J140	3812-000219 WIRE-NO SHEATH CU:TCWA,300V,52mm(TAPING)	
5	J135	3812-000219 WIRE-NO SHEATH CU:TCWA,300V,52mm(TAPING)	
5	J121	3812-000219 WIRE-NO SHEATH CU:TCWA,300V,52mm(TAPING)	

Loc. No.	Code No.	Description ; Specification	Remark
5	J122	3812-000219 WIRE-NO SHEATH CU:TCWA,300V,52mm(TAPING)	
5	J123	3812-000219 WIRE-NO SHEATH CU:TCWA,300V,52mm(TAPING)	
5	J124	3812-000219 WIRE-NO SHEATH CU:TCWA,300V,52mm(TAPING)	
5	J125	3812-000219 WIRE-NO SHEATH CU:TCWA,300V,52mm(TAPING)	
5	J225	3812-000219 WIRE-NO SHEATH CU:TCWA,300V,52mm(TAPING)	
5	J226	3812-000219 WIRE-NO SHEATH CU:TCWA,300V,52mm(TAPING)	
5	J227	3812-000219 WIRE-NO SHEATH CU:TCWA,300V,52mm(TAPING)	
5	J228	3812-000219 WIRE-NO SHEATH CU:TCWA,300V,52mm(TAPING)	
5	J229	3812-000219 WIRE-NO SHEATH CU:TCWA,300V,52mm(TAPING)	
5	J224	3812-000219 WIRE-NO SHEATH CU:TCWA,300V,52mm(TAPING)	
5	J217	3812-000219 WIRE-NO SHEATH CU:TCWA,300V,52mm(TAPING)	
5	J218	3812-000219 WIRE-NO SHEATH CU:TCWA,300V,52mm(TAPING)	
5	J219	3812-000219 WIRE-NO SHEATH CU:TCWA,300V,52mm(TAPING)	
5	J222	3812-000219 WIRE-NO SHEATH CU:TCWA,300V,52mm(TAPING)	
5	J223	3812-000219 WIRE-NO SHEATH CU:TCWA,300V,52mm(TAPING)	
5	J231	3812-000219 WIRE-NO SHEATH CU:TCWA,300V,52mm(TAPING)	
5	J260	3812-000219 WIRE-NO SHEATH CU:TCWA,300V,52mm(TAPING)	
5	J261	3812-000219 WIRE-NO SHEATH CU:TCWA,300V,52mm(TAPING)	
5	J262	3812-000219 WIRE-NO SHEATH CU:TCWA,300V,52mm(TAPING)	
5	J264	3812-000219 WIRE-NO SHEATH CU:TCWA,300V,52mm(TAPING)	
5	J265	3812-000219 WIRE-NO SHEATH CU:TCWA,300V,52mm(TAPING)	
5	J259	3812-000219 WIRE-NO SHEATH CU:TCWA,300V,52mm(TAPING)	
5	J234	3812-000219 WIRE-NO SHEATH CU:TCWA,300V,52mm(TAPING)	
5	J235	3812-000219 WIRE-NO SHEATH CU:TCWA,300V,52mm(TAPING)	
5	J256	3812-000219 WIRE-NO SHEATH CU:TCWA,300V,52mm(TAPING)	
5	J257	3812-000219 WIRE-NO SHEATH CU:TCWA,300V,52mm(TAPING)	
5	J258	3812-000219 WIRE-NO SHEATH CU:TCWA,300V,52mm(TAPING)	
5	J216	3812-000219 WIRE-NO SHEATH CU:TCWA,300V,52mm(TAPING)	
5	J185	3812-000219 WIRE-NO SHEATH CU:TCWA,300V,52mm(TAPING)	
5	J186	3812-000219 WIRE-NO SHEATH CU:TCWA,300V,52mm(TAPING)	
5	J187	3812-000219 WIRE-NO SHEATH CU:TCWA,300V,52mm(TAPING)	
5	J189	3812-000219 WIRE-NO SHEATH CU:TCWA,300V,52mm(TAPING)	
5	J194	3812-000219 WIRE-NO SHEATH CU:TCWA,300V,52mm(TAPING)	
5	J179	3812-000219 WIRE-NO SHEATH CU:TCWA,300V,52mm(TAPING)	
5	J174	3812-000219 WIRE-NO SHEATH CU:TCWA,300V,52mm(TAPING)	
5	J175	3812-000219 WIRE-NO SHEATH CU:TCWA,300V,52mm(TAPING)	
5	J176	3812-000219 WIRE-NO SHEATH CU:TCWA,300V,52mm(TAPING)	
5	J177	3812-000219 WIRE-NO SHEATH CU:TCWA,300V,52mm(TAPING)	
5	J178	3812-000219 WIRE-NO SHEATH CU:TCWA,300V,52mm(TAPING)	
5	J195	3812-000219 WIRE-NO SHEATH CU:TCWA,300V,52mm(TAPING)	
5	J203	3812-000219 WIRE-NO SHEATH CU:TCWA,300V,52mm(TAPING)	
5	J205	3812-000219 WIRE-NO SHEATH CU:TCWA,300V,52mm(TAPING)	
5	J209	3812-000219 WIRE-NO SHEATH CU:TCWA,300V,52mm(TAPING)	
5	J210	3812-000219 WIRE-NO SHEATH CU:TCWA,300V,52mm(TAPING)	
5	J211	3812-000219 WIRE-NO SHEATH CU:TCWA,300V,52mm(TAPING)	
5	J202	3812-000219 WIRE-NO SHEATH CU:TCWA,300V,52mm(TAPING)	
5	J196	3812-000219 WIRE-NO SHEATH CU:TCWA,300V,52mm(TAPING)	
5	J197	3812-000219 WIRE-NO SHEATH CU:TCWA,300V,52mm(TAPING)	
5	J198	3812-000219 WIRE-NO SHEATH CU:TCWA,300V,52mm(TAPING)	
5	J200	3812-000219 WIRE-NO SHEATH CU:TCWA,300V,52mm(TAPING)	
5	J201	3812-000219 WIRE-NO SHEATH CU:TCWA,300V,52mm(TAPING)	
5	HIC01	AA13-20004W IC HYBRID:-,PAP103T,SIP,6P,PRE-AMP,TP	
5	GT01	AA60-40014A PIN-GT,ASSY:AUTO	
5	GT02	AA60-40014A PIN-GT,ASSY:AUTO	
5		AA97-12501A ASSY SMD:CMC13410X/KMT	
6	ICM301	1204-001649 IC-VIDEO PROCESS:LA71598M, QFP;100P; ,PLA	
6	PCB	AA41-00549C PCB-MAIN:TF20P1D4X,FR-1,1L,C,1.6T,330X24	
6		AA97-06858A ASSY MICOM: ,C17A,UPD784928.SNM-740MD,011	
7	ICM601	AA09-00261A IC MICOM:UPD784927GF-230-3BA,TF20P1DF,1	
6		HA68-02176A LABEL:LABEL	
3	C612	2401-000703 C-AL:2200uF,20%,25V,GP,-,12.5x25mm,	
3	C607	2401-001998 C-AL:1000uF,20%,25V,GP,TP,10x20,5mm	
2		AA94-11859A ASSY PCB CRT:14,C17A	
3		0202-000008 SOLDER-WIRE:S63S-W3.0,S63S,D3,63Sn/37Pb,	
3		0202-000187 SOLDER-WIRE FLUX:-,RS60S,D1.2.63Sn/37Pb	
3		0204-001095 THINNER:#4520,-,-,-	
3		0202-001046 FLUX:CF-110VH-2A,-,-,-,-	
3		3704-001112 SOCKET-CRT:8P,12P1,22.5P,NL,-	
3	V999S	AA39-20052A LEAD CONNECTOR-ASSY:,4P,YBNH025-04,YSH02	
3	CN502B	AA39-20069A LEAD CONNECTOR-ASSY:,5P,YBNH025-05,67096	
3	CN501B	AA39-20069A LEAD CONNECTOR-ASSY:,5P,YBNH025-05,67096	
3	IC501	AA96-00842A ASSY H/S: ,VIDEO,AA62-30175D,TDA6107Q	
4	IC501	1201-001541 IC-VIDEO AMP:6107,ZSIP,9P,-,SINGLE,-,PLA	
4	SCR501	6003-000334 SCREW-TAPTITE:RH,+ ,2S,M3,L6,ZPC(YEL),SWR	
4	H/S501	AA62-30175D HEAT SINK-PS:-,SECC,T1.0,-,33X15X30 FT-2	
3		AA97-13016A ASSY AUTO-MAIN:CS21A5	
4	D504	0402-000132 DIODE-RECTIFIER:1N4004,400V,1A,DO-41,TP	
4	D503	0402-000132 DIODE-RECTIFIER:1N4004,400V,1A,DO-41,TP	

Loc. No.	Code No.	Description ; Specification	Remark
4	D502	0402-000132	DIODE-RECTIFIER:1N4004,400V,1A,DO-41,TP
4	D501	0402-000254	DIODE-RECTIFIER:RGP10J,600V,1A,DO-41,TP
4	DZ501	0403-000508	DIODE-ZENER:MTZJ5.6B,5.6V,5.45-5.73V,500
4	R509	2001-000281	R-CARBON:1000HM,5%,1/8W,AA,TP,1.8X3.2MM
4	R508	2001-000281	R-CARBON:1000HM,5%,1/8W,AA,TP,1.8X3.2MM
4	R507	2001-000281	R-CARBON:1000HM,5%,1/8W,AA,TP,1.8X3.2MM
4	R506	2001-001062	R-CARBON(S):10MOHM,5%,1/2W,AA,TP,2.4X6.4
4	R503	2002-001008	R-COMPOSITION:1.8Kohm,10%,1/2W,AA,TP,3.7
4	R502M	2002-001008	R-COMPOSITION:1.8Kohm,10%,1/2W,AA,TP,3.7
4	R501M	2002-001008	R-COMPOSITION:1.8Kohm,10%,1/2W,AA,TP,3.7
4	C503	2201-000723	C-CERAMIC,DISC:4.7nF,20%,3KV,Y5U,TP,16x5
4	C501	2202-000825	C-CERAMIC,MLC-AXIAL:680pF,10%,50V,Y5P,TP
4	C502	2301-000213	C-FILM,PEF:220nF,5%,250V,TP,21.5x11.7,5
4	C506	2401-000430	C-AL:10uF,20%,250V,GP,TP,10x16mm,5m
4	C504	2401-001232	C-AL:4.7uF,20%,250V,GP,TP,10x12.5,5
4	JC501	3812-000219	WIRE-NO SHEATH CU:TCWA,300V,52mm(TAPING)
4	JC500	3812-000219	WIRE-NO SHEATH CU:TCWA,300V,52mm(TAPING)
4	PCB	AA41-00550A	PCB-CRT:TF21B5S,FR-1,1L,A,1.6T,330X245,C
4	GT502	AA60-40014A	PIN-GT,ASSY:AUTO
2		AA94-11761A	ASSY PCB MISC-A/V:TB20A54X/XSA,C17A
3		0202-000008	SOLDER-WIRE:S63S-W3.0,S63S,D3,63Sn/37Pb,
3		0202-000187	SOLDER-WIRE FLUX:-,RS60S,D1,2.63Sn/37Pb
3		0204-001095	THINNER:#4520,-,-,-
3		0202-001046	FLUX:CF-110VH-2A,-,-,-
3	JA03	3722-000145	JACK-PHONE:1P,3.6PI,MBAG,BLK,-
3	JA02	3722-001342	JACK-PIN:1P,3.4MM,NI,YEL,-
3	JA01	3722-001343	JACK-PIN:1P,3.4MM,NI,WHT,-
3	CN701B	AA39-20461C	LEAD CONNECTOR-ASSY:11P,YBNH250-11,6709
3		AA97-12473A	ASSY AUTO-A/V:TB20A54X/XSA,C17A
4	RY701	2001-000958	R-CARBON:7500HM,5%,1/8W,AA,TP,1.8X3.2MM
4	RY702	2001-000958	R-CARBON:7500HM,5%,1/8W,AA,TP,1.8X3.2MM
4	CY702	2202-000121	C-CERAMIC,MLC-AXIAL:100pF,10%,50V,Y5P,TP
4	LY702	2701-000114	INDUCTOR-AXIAL:10uH,10%,2.5x3.4mm
4	LY701	2701-000116	INDUCTOR-AXIAL:10uH,10%,4.2x9.8mm
4		AA41-00546A	PCB-A/V MONO:TF21B5S,FR-1,1L,A,1.6T,330X
2		AA95-01822B	ASSY SUB-PCB,MASTER:20P1,C17A,AA95-01615
3	SW811S	3403-001107	SWITCH-PUSH:250V,5A,DPST,-,KDC-A04
3		6001-000057	SCREW-MACHINE:RH,+M3,L6,ZPC(BLK),SWRCH1
3	CN801	AA39-00206B	LEAD CONNECTOR-ASSY:2PYFH800-02,S,400M
3		AA61-10320A	BRACKET-MASTER:T3350,SECC,T1.0,-,-,-
3		AA97-05602A	ASSY AUTO-SUB:20P1,C17A
4	PCB	AA41-00587A	PCB-MASTER:20P1,FR-1,1L,A,1.6T,245X245,C
4	EY801	AA60-40011A	K EYELET:ID2.0,OD2.8,BST
4	EY802	AA60-40011A	K EYELET:ID2.0,OD2.8,BST
4	EY803	AA60-40011A	K EYELET:ID2.0,OD2.8,BST
4	EY804	AA60-40011A	K EYELET:ID2.0,OD2.8,BST
4	EY805	AA60-40011A	K EYELET:ID2.0,OD2.8,BST
4	EY806	AA60-40011A	K EYELET:ID2.0,OD2.8,BST
4	GTM801	AA60-40014A	PIN-GT,ASSY:AUTO
4	GTM802	AA60-40014A	PIN-GT,ASSY:AUTO
2		AA61-00050A	SPRING ETC-DOOR:TVCR TVI,SUS304,-,-,-
2		AA90-00947A	ASSY-FULL DECK:2HD,SVTS-M2P/XEC
3		AA91-00741A	ASSY-DECK:SCORPIO TOSHIBA
3		AA91-00744A	ASSY-DRUM:2HD,NON-DLC,SCORPIO
3		AA91-00782A	ASSY-S-IMP ROLLER:PAL 2HD SESA,TF14N53,
3		6006-001092	SCREW-ASS'Y MACH:WS,PH,+M3.0,L6.0,ZPC(Y
△	2	AA96-01127B	ASSY POWER CORD:DP,AA39-10001M,CP2,H/C40
3		AA39-10001M	CBF POWER CORD:-,KJP-140,KLCE-2F,2.4m,HO
3		AA61-20284A	HOLDER-P-CORD,PP,-,-,BLK,VO,KE-002
2		AA64-03102H	DOOR-HOUSING:14N5,14P5(SEH),ABS HB,BLK,D
2		AA90-02598A	ASSY COVER MISC-FRAME:SEH TVCR,STYX C17A
3	DE+FD	6003-001268	SCREW-TAPTITE:TH,+B,M4.0,L12.0,ZPC(YEL)
3	PW+FD	6003-001268	SCREW-TAPTITE:TH,+B,M4.0,L12.0,ZPC(YEL)
3	FD+BF	6003-001023	SCREW-TAPTITE:RWH,+B,M3,L10,ZPC(YEL),SW
3		AA61-00862A	FRAME-DECK:S-PJT,HIPS V0,BLK,ONE-BOARD
3		AA61-01214A	BRACKET-FRAME:SECC,T1.0
3		AA63-00520A	SHIELD-BOTTOM:20A5S,SPT,TO.3
3		AA91-03961A	ASSY-SHIELD DRUM:AA63-00521A+TAPE,20A5
4		AA63-00521A	SHIELD-DRUM:20A5S,SECC,TO.5
2		AA65-30009A	CLAMPER CORE-FBT:ABS,VO,-,BLK,-

### ASSY CPT

Loc. No.	Code No.	Description ; Specification	Remark
1	AA91-05780A	ASSY CPT:C17A,14,PHILIPS,A34EAC01X06	
△	2	LC801S	AA27-00241A COIL DEGAUSSING:-,CPT TV 14INCH,-,10%,55
△	2		AA03-10023X CRT COLOR:A34EAC01X06,+380mG,2.5mH,27.5m
2			AA98-70032A ASSY TBC WIRE(P):DP,14,AA98-70014A,1P,TV
2			AA39-20518A LEAD CONNECTOR-ASSY:6(4)P,YFH806-06,350

### ASSY COVER REAR

Loc. No.	Code No.	Description ; Specification	Remark
1	AA90-04412A	ASSY COVER REAR:TW14N54X/BWT	
2		AA64-02220A	CABINET-BACK:14N5S(NEW),HIPS,FV2,G4309
3		AA63-60001L	SPACER-FELT:-,FELT,-,-,BLK,TO.35,-,150
2		AA65-30008A	CLAMPER CORE-CORD:-,PE,HB,-,BLK,-

### ASSY COVER FRONT

Loc. No.	Code No.	Description ; Specification	Remark
1	AA90-04405A	ASSY COVER FRONT:TW14N54X/BWT,C17A	
2	CB+CF	6002-000515	SCREW-TAPPING:RH,+2,M4,L15,ZPC(WHT),SWR
2	CRT+CF	AA60-10050Q	SCREW-ASSY:-,SWRCH18A,M5,L26.5,HH,+WC,-
2		AA65-30106A	CLAMPER CORE-D,COIL:14 INCH,NYLON 66,V2,
2		AA96-40161A	ASSY SPEAKER:-,8ohm,2W,77BR02N,-,200
3		3001-000281	SPEAKER:2.5W,80HM,90DB,140HZ
3		AA39-20501A	LEAD CONNECTOR-ASSY:3(2),67096-003,REC,
2		AA96-01025B	ASSY COVER P-FRONT:14N5,HB,DG-703P
3		HA83-00049A	LP-ADHESIVE-HM:12MM,NTR
3	KF+CF	6003-001019	SCREW-TAPTITE:RH,+B,M4,L12,ZPC(BLK),SWR
3	IND+CF	6003-001019	SCREW-TAPTITE:RH,+B,M4,L12,ZPC(BLK),SWR
3		AA61-60003Q	SPRING ETC-CS:-,SUS304,-,-,OD8,N5,OD8,-,
3		AA64-01066J	KNOB-FAMILY:14N5 SEH,ABS,HB,G3676,DG703
3		AA64-01067K	KNOB-MASTER:14N5 SEH,ABS,HB,G3676,DG703P
3		AA64-01068B	WINDOW REMOCON:14N5,PC,-,-,VIOLET,-,-
3		AA64-01069B	INDICATOR LED:14N5,ABS,-,-,LG-02431,-,-
3		AA64-03101B	CABINET FRONT:14N5 SEH,HIPS,HB,G4309,DG7
4		0201-001031	ADHESIVE-STR:AS-141-3B,-,0.85-1.05,-
4		AA61-40010A	BOSS-WING:-,HIPS,-,-,NTR,HB
5		HA83-00006A	LP-RESIN HIPS: BASF495F,NTR,HB
3		AA64-70127F	BADGE-BRAND:NEW,AL,-,-,L40,R800,SILVER,S
2		AA65-30018A	CLAMPER CORE-WIRE:DONG-A,NYLON-66,-,-,-
2		HA68-02177B	LABEL-POS:ALL,30MM,65MM,WHITE,AA68-02177
2	AV+CF	6003-001023	SCREW-TAPTITE:RWH,+B,M3,L10,ZPC(YEL),SW
2	KP+CF	6003-001023	SCREW-TAPTITE:RWH,+B,M3,L10,ZPC(YEL),SW

### ASSY ACCESSORY

Loc. No.	Code No.	Description ; Specification	Remark
1	AA92-07399A	ASSY ACCESSORY:TW14N*4X/BWT	
2		AA59-00221E	REMOCON:TM66,SAAS554PS,38,G6671B,S/S,
2		4301-000121	BATTERY-MN:1.5V,-,AAA,10.5x44.5mm,HOLDER
2		HA69-00276A	BAG VINYL:HDPE,TO.025,L400,W240,-,W/O LO
2		AA26-90001C	TRANS MATCHING:-,300ohm/75ohm,PAL,40-890
2		AA42-00003A	ANT ROD:-,3S,720mm,ABS,UL/CSA,-
2		AA68-02264A	MANUAL USERS:RUS,W/P100(G),2,B5,C17A,56
2		HA68-00816B	CARD WARRANTY:RUSSINA,2,W/P 120G,BOTH FA
2		AA68-01120A	MANUAL SERVICE:-,CIS,A4,6PAGE(FOLD),W/

### 7-3 TW14N64X/BWT

Loc. No.	Code No.	Description ; Specification	Remark	Loc. No.	Code No.	Description ; Specification	Remark
<b>ASSY CHASSIS</b>							
1	AA91-05891A	ASSY CHASSIS;TW14N64X/BWT,C17A,RUSS,PHIL		△ 4	D809	0402-000132	DIODE-RECTIFIER;1N4004,400V,1A,DO-41,TP
2	AA94-12219A	ASSY PCB POWER;C17A,14,RUSSIA,PHILIPS,5		△ 4	D814	0402-000493	DIODE-RECTIFIER;1R5GU41,400V,1.5A,DO-15L
3	0202-000008	SOLDER-WIRE;S63S-W3.0,S63S,D3,63Sn/37Pb,		△ 4	D404	0402-000534	DIODE-RECTIFIER;RG10V,400V,1.2A,DO-201,T
3	0202-000187	SOLDER-WIRE FLUX;RS60S,D1.2,63Sn/37Pb		△ 4	D808	0402-001105	DIODE-RECTIFIER;ERB43-04SV1,400V,1.0A,-,
3	0204-001095	THINNER;#4520,-,-,-		△ 4	D403	0402-001105	DIODE-RECTIFIER;ERB43-04SV1,400V,1.0A,-,
3	0202-001046	FLUX;CF-110VH-2A,-,-,-		△ 4	D402	0402-001105	DIODE-RECTIFIER;ERB43-04SV1,400V,1.0A,-,
3	Q401	0502-001115	TR-POWER;KSC5386,NPN,50W,TO-3PF,ST-8	△ 4	D804S	0402-001111	DIODE-RECTIFIER;1N5397GP,600V,1.5A,DO-20
△ 3	PC801S	0604-001038	PHOTO-COUPLER;TR,130-260%,200mW,DIP-4,ST	△ 4	D803S	0402-001111	DIODE-RECTIFIER;1N5397GP,600V,1.5A,DO-20
△ 3	NT801S	1404-001045	THERMISTOR-NTC;4.7ohm,15%,2900K,35.0mW,T	△ 4	D802S	0402-001111	DIODE-RECTIFIER;1N5397GP,600V,1.5A,DO-20
△ 3	PT801S	1404-001264	THERMISTOR-PTC;4.5OHM,+30/-20%,220V,290V	△ 4	D801S	0402-001111	DIODE-RECTIFIER;1N5397GP,600V,1.5A,DO-20
△ 3	CY801S	2201-000446	C-CERAMIC,DISC;3.3nF,20%,400V,Y5U,TP,15x	△ 4	D807	0402-001443	DIODE-RECTIFIER;EGP20K,800V,2A,DO-15,TP
△ 3	CR410S	2303-001015	C-FILM,PPF;5.5nF,5%,1.6kV,TP,29x9.5x17.2	4	DZ401	0403-000508	DIODE-ZENER;MTZJ5.6B,5.6V,5.45-5.73V,50
△ 3	CR402S	2306-000195	C-FILM,MPPF;360nF,5%,400V,TP,26x19x11.5,	4	DZ807	0403-000699	DIODE-ZENER;TZP27B,27V,27-30.8V,1W,DO-41
△ 3	CX801S	2306-000318	C-FILM,MPPF;220nF,20%,250V,TP,-22.5mm	4	DZ810	0403-000700	DIODE-ZENER;TZP33A,33V,31-35V,1W,DO-41,T
△ 3	C805	2401-003030	C-AL;220uF,20%,450V,GPBK,30x35,10	4	DZ805	0403-000714	DIODE-ZENER;MTZJ3.3B,3.3V,3.32-3.53V,500
△ 3	RL801S	3501-001040	RELAY-POWER;12VDC,500mW,10A,1FormA,15mS,	4	DZ811	0403-000714	DIODE-ZENER;MTZJ3.3B,3.3V,3.32-3.53V,500
3	CN502A	3711-002643	CONNECTOR-HEADER;BOX,4P,1R,2.5mm,STRAIGH	4	DZ804	0403-000720	DIODE-ZENER;MTZJ9.1B,9.1V,8.57-9.01V,500
3	CN801B	3711-002645	CONNECTOR-HEADER;BOX,6P,1R,2.5mm,STRAIGH	4	DZ803	0403-001211	DIODE-ZENER;MTZJ12B,11.44-12.03V,500MW,D
3	CN802B	3711-003975	CONNECTOR-HEADER;BOX,14P,1R,2.5mm,STRAIG	4	DZ808	0403-001211	DIODE-ZENER;MTZJ12B,11.44-12.03V,500MW,D
△ 3	PCB+SC	AA60-10008A	SCREW-TAPPING;-SWRCH18A,M3,L10,TH,-,-,-	4	DZ302	0403-001221	DIODE-ZENER;UZ39BSB,35.36-37.19V,500MW,D
△ 3	T801S	AA26-00163A	TRANS SWITCHING;35B125-DM,V17A,SMV-20A5S	4	DZ806	0403-001318	DIODE-ZENER;MTZJ4.3B,4.17-4.43V,500mW,DO
△ 3	T444S	AA26-00171A	TRANS FBT;FCA173,TVDP5.7MH,FEERITE,-,1.	4	DZ802	0403-001327	DIODE-ZENER;MTZJ18A,16.22-17.06V,500MW,D
△ 3	T401	AA26-50001B	TRANS-HORIZ.DRIVE;-,-,-,7.1mH,-,-,102uH,	4	DZ301	0403-001328	DIODE-ZENER;MTZJ22A,20.15-21.20V,500mW,D
△ 3	LR401S	AA27-00122A	COIL LINEARITY;90UH,90UH,L81 DR10x10,7.5	4	DZ304	0403-001328	DIODE-ZENER;MTZJ22A,20.15-21.20V,500mW,D
△ 3	L402	AA27-40001M	COIL HORIZ. WIDTH;-,-,180/480uH,SB-5S6202.	4	DZ813	0403-001373	DIODE-ZENER;MTZJ5.1A,4.81V-5.07V,500mW,D
△ 3	LX801S	AA29-30001D	FILTER LINE NOISE;SQ1913,-,6.0MH,0.8A,-,	4	DZ812	0403-001373	DIODE-ZENER;MTZJ5.1A,4.81V-5.07V,500mW,D
3	GT101A	AA39-20010D	LEAD CONNECTOR-ASSY;1P,YFH800-01,S,400,	4	Q812	0501-000362	TR-SMALL SIGNAL;KSA2328A-Y,NPN,1W,TO-92L
3		AA61-01045A	SUPPORT-PCB;DASS-T 9N,NYLON ,9.4,NTR	4	Q811	0501-000362	TR-SMALL SIGNAL;KSA2328A-Y,NPN,1W,TO-92L
3		AA63-00609A	SHIELD-CASE;DP,20P1,AA63-00518A	4	Q810	0501-000362	TR-SMALL SIGNAL;KSA2328A-Y,NPN,1W,TO-92L
3		AA65-30018A	CLAMPER CORE-WIRE;DONG-A,NYLON-66,-,-,-	4	Q402	0501-000369	TR-SMALL SIGNAL;KSC2331-Y,NPN,1000mW,TO-
3		AA65-30111A	CLAMPER CORE-WIRE;ALL MODEL,NYLON,VO,-,V	4	Q805	0501-000389	TR-SMALL SIGNAL;KSC815,NPN,400mW,TO-92,T
△ 3	D810	AA96-00243D	ASSY H/S;-BRIDGE,AA62-00045A,D06U20S,D	4	Q807	0501-000398	TR-SMALL SIGNAL;KSC945,NPN,250mW,TO-92,T
4		0205-000129	GREASE-SILICON;SC102,JAPAN	4	Q806	0501-000398	TR-SMALL SIGNAL;KSC945,NPN,250mW,TO-92,T
4		0402-001374	DIODE-RECTIFIER;FPF06U20S,200V,6A,TO-22	4	Q804	0504-000142	TR-DIGITAL;KSR2001,PNP,300mW,4.7K/4.7K,T
4		6003-000334	SCREW-TAPTITE;RH,+2S,M3,L6,ZPC(YEL),SWR	4	Q808	0504-000142	TR-DIGITAL;KSR2001,PNP,300mW,4.7K/4.7K,T
4		AA62-00065A	HEAT SINK-PS;DP,-,-,AA62-00045A,-,-,-	4	Q801	1203-001217	IC-POS.ADJ.UST REG.-431,TO-92,3P,4.58MIL
3	Q803	AA96-00243G	ASSY H/S;-POWER,AA62-00045A,C2073-H2,V	△ 4	VX801S	1405-000187	VARISTOR;750V,1250A,12.5x7mm,TP
4		0205-000129	GREASE-SILICON;SC102,JAPAN	4	R301	2001-000016	R-CARBON(S);10HM,5%,1/2W,AA,TP,2.4X6.4MM
4		0502-001007	TR-POWER;KSC2073-H2,NPN,25W,TO-220,ST,6	4	R408	2001-000022	R-CARBON(S);330HM,5%,1/2W,AA,TP,2.4X6.4M
4		6003-000334	SCREW-TAPTITE;RH,+2S,M3,L6,ZPC(YEL),SWR	4	R829	2001-000028	R-CARBON(S);1000HM,5%,1/2W,AA,TP,2.4X6.4
4		AA62-00065A	HEAT SINK-PS;DP,-,-,AA62-00045A,-,-,-	4	R825	2001-000028	R-CARBON(S);1000HM,5%,1/2W,AA,TP,2.4X6.4
3	IC301	AA96-00244A	ASSY H/S;-AA62-00046A,LA7840,-	4	R823	2001-000037	R-CARBON(S);330OHM,5%,1/2W,AA,TP,2.4X6.4
4		0205-000129	GREASE-SILICON;SC102,JAPAN	4	R808	2001-000109	R-CARBON(S);470OHM,5%,1/2W,AA,TP,2.4X6.4
4		1204-001483	IC-VERTICAL PROCESSO;LA7840,SIP,7P,708MI	4	R828	2001-000117	R-CARBON(S);680HM,5%,1/2W,AA,TP,2.4X6.4M
4		6003-000334	SCREW-TAPTITE;RH,+2S,M3,L6,ZPC(YEL),SWR	4	R405	2001-000117	R-CARBON(S);680HM,5%,1/2W,AA,TP,2.4X6.4M
4		AA62-00064A	HEAT SINK-PS;DP,-,-,AA62-00046A,-,-,-	4	R814	2001-000281	R-CARBON(S);1000HM,5%,1/8W,AA,TP,1.8X3.2MM
△ 3	IC801S	AA96-00662B	ASSY H/S;-POWER,AA62-30171J,KA500765R,	4	R824	2001-000302	R-CARBON(S);100HM,5%,1/8W,AA,TP,1.8X3.2MM
4		0205-000129	GREASE-SILICON;SC102,JAPAN	4	R809	2001-000522	R-CARBON(S);22KOHM,5%,1/8W,AA,TP,1.8X3.2MM
4		1203-001932	IC-PWM CONTROLLER;500765,TO-220F,5P,185M	4	R840	2001-000429	R-CARBON(S);1KOHM,5%,1/8W,AA,TP,1.8X3.2MM
4		6003-000333	SCREW-TAPTITE;RH,+2S,M3,L10,ZPC(YEL),SW	4	R835	2001-000429	R-CARBON(S);1KOHM,5%,1/8W,AA,TP,1.8X3.2MM
4		AA62-30171J	HEAT SINK-ES;-,-,SILVER,-,DREAM1,-,-,-	4	R816	2001-000429	R-CARBON(S);1KOHM,5%,1/8W,AA,TP,1.8X3.2MM
3	Q813	AA96-50305D	ASSY H/S;-POWER,AA62-30012E,KSD73Y,STY	4	R821	2001-000515	R-CARBON(S);220OHM,5%,1/8W,AA,TP,1.8X3.2MM
4		0502-000298	TR-POWER;KSD73,NPN,30000mW,TO-220,TP,12	4	R822	2001-000660	R-CARBON(S);33KOHM,5%,1/8W,AA,TP,1.8X3.2MM
4		6003-000333	SCREW-TAPTITE;RH,+2S,M3,L10,ZPC(YEL),SW	4	R843	2001-000734	R-CARBON(S);4.7KOHM,5%,1/8W,AA,TP,1.8X3.2M
4		AA62-30012E	HEAT SINK-ES;-A6063 EXTR,-,-,TO-220 H55	4	R842	2001-000734	R-CARBON(S);4.7KOHM,5%,1/8W,AA,TP,1.8X3.2M
3		AA97-13455A	ASSY AUTO-POWER;C17A,14,RUSSIA,PHILIPS,	4	R841	2001-000734	R-CARBON(S);4.7KOHM,5%,1/8W,AA,TP,1.8X3.2M
△ 4	D822	0401-000005	DIODE-SWITCHING;1N4148,100V,200mA,DO-35,	4	R831	2001-000734	R-CARBON(S);4.7KOHM,5%,1/8W,AA,TP,1.8X3.2M
△ 4	D823	0401-000005	DIODE-SWITCHING;1N4148,100V,200mA,DO-35,	4	R811	2001-000800	R-CARBON(S);5.1KOHM,5%,1/8W,AA,TP,1.8X3.2M
△ 4	D825	0401-000005	DIODE-SWITCHING;1N4148,100V,200mA,DO-35,	4	R827	2001-000812	R-CARBON(S);5.6KOHM,5%,1/8W,AA,TP,1.8X3.2M
△ 4	D827	0401-000005	DIODE-SWITCHING;1N4148,100V,200mA,DO-35,	4	R817	2001-000924	R-CARBON(S);680OHM,5%,1/8W,AA,TP,1.8X3.2MM
△ 4	D811	0401-000005	DIODE-SWITCHING;1N4148,100V,200mA,DO-35,	4	R407	2001-001037	R-CARBON(S);0.390HM,5%,1/2W,AA,TP,2.4X6.
△ 4	D812	0401-000005	DIODE-SWITCHING;1N4148,100V,200mA,DO-35,	4	R813	2001-001078	R-CARBON(S);15KOHM,5%,1/2W,AA,TP,2.4X6.4
△ 4	D816	0401-000005	DIODE-SWITCHING;1N4148,100V,200mA,DO-35,	4	R812	2001-001078	R-CARBON(S);15KOHM,5%,1/2W,AA,TP,2.4X6.4
△ 4	D820	0401-000005	DIODE-SWITCHING;1N4148,100V,200mA,DO-35,	△ 4	R410	2001-001078	R-CARBON(S);15KOHM,5%,1/2W,AA,TP,2.4X6.4
△ 4	D806	0401-000006	DIODE-SWITCHING;BAV21,250V,250mA,DO-35,T	4	R422S	2001-001088	R-CARBON(S);1KOHM,5%,1/2W,AA,TP,2.4X6.4M
△ 4	D828	0402-000132	DIODE-RECTIFIER;1N4004,400V,1A,DO-41,TP	4	R409	2001-001114	R-CARBON(S);270OHM,5%,1/2W,AA,TP,2.4X6.4
△ 4	D815	0402-000132	DIODE-RECTIFIER;1N4004,400V,1A,DO-41,TP	4	R818	2001-001134	R-CARBON(S);360ohm,5%,1/2W,AA,TP,2.4X6.4
△ 4	D301	0402-000132	DIODE-RECTIFIER;1N4004,400V,1A,DO-41,TP	4	R838	2001-001150	R-CARBON(S);470KOHM,5%,1/2W,AA,TP,2.4X6.
△ 4	D405	0402-000132	DIODE-RECTIFIER;1N4004,400V,1A,DO-41,TP	4	R839	2001-001150	R-CARBON(S);470KOHM,5%,1/2W,AA,TP,2.4X6.4
				4	R830	2001-001170	R-CARBON(S);6.8KOHM,5%,1/2W,AA,TP,2.4X6.4
				4	R806	2001-001170	R-CARBON(S);6.8KOHM,5%,1/2W,AA,TP,2.4X6.4
				4	R810	2001-001192	R-CARBON(S);820OHM,5%,1/2W,AA,TP,2.4X6.4













Electrical Parts List

Loc. No.	Code No.	Description ; Specification	Remark	Loc. No.	Code No.	Description ; Specification	Remark
5	JPM303	3812-000219	WIRE-NO SHEATH CU:TCWA, 300V,52mm(TAPING)	5	J121	3812-000219	WIRE-NO SHEATH CU:TCWA, 300V,52mm(TAPING)
5	JPM306	3812-000219	WIRE-NO SHEATH CU:TCWA, 300V,52mm(TAPING)	5	J122	3812-000219	WIRE-NO SHEATH CU:TCWA, 300V,52mm(TAPING)
5	JTV500	3812-000219	WIRE-NO SHEATH CU:TCWA, 300V,52mm(TAPING)	5	J123	3812-000219	WIRE-NO SHEATH CU:TCWA, 300V,52mm(TAPING)
5	JTV501	3812-000219	WIRE-NO SHEATH CU:TCWA, 300V,52mm(TAPING)	5	J124	3812-000219	WIRE-NO SHEATH CU:TCWA, 300V,52mm(TAPING)
5	L703	3812-000219	WIRE-NO SHEATH CU:TCWA, 300V,52mm(TAPING)	5	J125	3812-000219	WIRE-NO SHEATH CU:TCWA, 300V,52mm(TAPING)
5	JPM302	3812-000219	WIRE-NO SHEATH CU:TCWA, 300V,52mm(TAPING)	5	J225	3812-000219	WIRE-NO SHEATH CU:TCWA, 300V,52mm(TAPING)
5	JP04	3812-000219	WIRE-NO SHEATH CU:TCWA, 300V,52mm(TAPING)	5	J226	3812-000219	WIRE-NO SHEATH CU:TCWA, 300V,52mm(TAPING)
5	JP05	3812-000219	WIRE-NO SHEATH CU:TCWA, 300V,52mm(TAPING)	5	J227	3812-000219	WIRE-NO SHEATH CU:TCWA, 300V,52mm(TAPING)
5	JP06	3812-000219	WIRE-NO SHEATH CU:TCWA, 300V,52mm(TAPING)	5	J228	3812-000219	WIRE-NO SHEATH CU:TCWA, 300V,52mm(TAPING)
5	JP10	3812-000219	WIRE-NO SHEATH CU:TCWA, 300V,52mm(TAPING)	5	J229	3812-000219	WIRE-NO SHEATH CU:TCWA, 300V,52mm(TAPING)
5	JPM301	3812-000219	WIRE-NO SHEATH CU:TCWA, 300V,52mm(TAPING)	5	J224	3812-000219	WIRE-NO SHEATH CU:TCWA, 300V,52mm(TAPING)
5	JG035	3812-000219	WIRE-NO SHEATH CU:TCWA, 300V,52mm(TAPING)	5	J217	3812-000219	WIRE-NO SHEATH CU:TCWA, 300V,52mm(TAPING)
5	JG017	3812-000219	WIRE-NO SHEATH CU:TCWA, 300V,52mm(TAPING)	5	J218	3812-000219	WIRE-NO SHEATH CU:TCWA, 300V,52mm(TAPING)
5	JG018	3812-000219	WIRE-NO SHEATH CU:TCWA, 300V,52mm(TAPING)	5	J219	3812-000219	WIRE-NO SHEATH CU:TCWA, 300V,52mm(TAPING)
5	JG019	3812-000219	WIRE-NO SHEATH CU:TCWA, 300V,52mm(TAPING)	5	J222	3812-000219	WIRE-NO SHEATH CU:TCWA, 300V,52mm(TAPING)
5	JG020	3812-000219	WIRE-NO SHEATH CU:TCWA, 300V,52mm(TAPING)	5	J223	3812-000219	WIRE-NO SHEATH CU:TCWA, 300V,52mm(TAPING)
5	JG022	3812-000219	WIRE-NO SHEATH CU:TCWA, 300V,52mm(TAPING)	5	J231	3812-000219	WIRE-NO SHEATH CU:TCWA, 300V,52mm(TAPING)
5	JG016	3812-000219	WIRE-NO SHEATH CU:TCWA, 300V,52mm(TAPING)	5	J260	3812-000219	WIRE-NO SHEATH CU:TCWA, 300V,52mm(TAPING)
5	JG011	3812-000219	WIRE-NO SHEATH CU:TCWA, 300V,52mm(TAPING)	5	J261	3812-000219	WIRE-NO SHEATH CU:TCWA, 300V,52mm(TAPING)
5	JG012	3812-000219	WIRE-NO SHEATH CU:TCWA, 300V,52mm(TAPING)	5	J262	3812-000219	WIRE-NO SHEATH CU:TCWA, 300V,52mm(TAPING)
5	JG013	3812-000219	WIRE-NO SHEATH CU:TCWA, 300V,52mm(TAPING)	5	J264	3812-000219	WIRE-NO SHEATH CU:TCWA, 300V,52mm(TAPING)
5	JG014	3812-000219	WIRE-NO SHEATH CU:TCWA, 300V,52mm(TAPING)	5	J265	3812-000219	WIRE-NO SHEATH CU:TCWA, 300V,52mm(TAPING)
5	JG015	3812-000219	WIRE-NO SHEATH CU:TCWA, 300V,52mm(TAPING)	5	J259	3812-000219	WIRE-NO SHEATH CU:TCWA, 300V,52mm(TAPING)
5	JG023	3812-000219	WIRE-NO SHEATH CU:TCWA, 300V,52mm(TAPING)	5	J234	3812-000219	WIRE-NO SHEATH CU:TCWA, 300V,52mm(TAPING)
5	JG030	3812-000219	WIRE-NO SHEATH CU:TCWA, 300V,52mm(TAPING)	5	J235	3812-000219	WIRE-NO SHEATH CU:TCWA, 300V,52mm(TAPING)
5	JG031	3812-000219	WIRE-NO SHEATH CU:TCWA, 300V,52mm(TAPING)	5	J256	3812-000219	WIRE-NO SHEATH CU:TCWA, 300V,52mm(TAPING)
5	JG032	3812-000219	WIRE-NO SHEATH CU:TCWA, 300V,52mm(TAPING)	5	J257	3812-000219	WIRE-NO SHEATH CU:TCWA, 300V,52mm(TAPING)
5	JG033	3812-000219	WIRE-NO SHEATH CU:TCWA, 300V,52mm(TAPING)	5	J258	3812-000219	WIRE-NO SHEATH CU:TCWA, 300V,52mm(TAPING)
5	JG034	3812-000219	WIRE-NO SHEATH CU:TCWA, 300V,52mm(TAPING)	5	J216	3812-000219	WIRE-NO SHEATH CU:TCWA, 300V,52mm(TAPING)
5	JG029	3812-000219	WIRE-NO SHEATH CU:TCWA, 300V,52mm(TAPING)	5	J185	3812-000219	WIRE-NO SHEATH CU:TCWA, 300V,52mm(TAPING)
5	JG024	3812-000219	WIRE-NO SHEATH CU:TCWA, 300V,52mm(TAPING)	5	J186	3812-000219	WIRE-NO SHEATH CU:TCWA, 300V,52mm(TAPING)
5	JG025	3812-000219	WIRE-NO SHEATH CU:TCWA, 300V,52mm(TAPING)	5	J187	3812-000219	WIRE-NO SHEATH CU:TCWA, 300V,52mm(TAPING)
5	JG026	3812-000219	WIRE-NO SHEATH CU:TCWA, 300V,52mm(TAPING)	5	J189	3812-000219	WIRE-NO SHEATH CU:TCWA, 300V,52mm(TAPING)
5	JG027	3812-000219	WIRE-NO SHEATH CU:TCWA, 300V,52mm(TAPING)	5	J194	3812-000219	WIRE-NO SHEATH CU:TCWA, 300V,52mm(TAPING)
5	JG028	3812-000219	WIRE-NO SHEATH CU:TCWA, 300V,52mm(TAPING)	5	J179	3812-000219	WIRE-NO SHEATH CU:TCWA, 300V,52mm(TAPING)
5	J150	3812-000219	WIRE-NO SHEATH CU:TCWA, 300V,52mm(TAPING)	5	J174	3812-000219	WIRE-NO SHEATH CU:TCWA, 300V,52mm(TAPING)
5	J151	3812-000219	WIRE-NO SHEATH CU:TCWA, 300V,52mm(TAPING)	5	J175	3812-000219	WIRE-NO SHEATH CU:TCWA, 300V,52mm(TAPING)
5	J152	3812-000219	WIRE-NO SHEATH CU:TCWA, 300V,52mm(TAPING)	5	J176	3812-000219	WIRE-NO SHEATH CU:TCWA, 300V,52mm(TAPING)
5	J153	3812-000219	WIRE-NO SHEATH CU:TCWA, 300V,52mm(TAPING)	5	J177	3812-000219	WIRE-NO SHEATH CU:TCWA, 300V,52mm(TAPING)
5	J158	3812-000219	WIRE-NO SHEATH CU:TCWA, 300V,52mm(TAPING)	5	J178	3812-000219	WIRE-NO SHEATH CU:TCWA, 300V,52mm(TAPING)
5	J148	3812-000219	WIRE-NO SHEATH CU:TCWA, 300V,52mm(TAPING)	5	J195	3812-000219	WIRE-NO SHEATH CU:TCWA, 300V,52mm(TAPING)
5	J142	3812-000219	WIRE-NO SHEATH CU:TCWA, 300V,52mm(TAPING)	5	J203	3812-000219	WIRE-NO SHEATH CU:TCWA, 300V,52mm(TAPING)
5	J143	3812-000219	WIRE-NO SHEATH CU:TCWA, 300V,52mm(TAPING)	5	J205	3812-000219	WIRE-NO SHEATH CU:TCWA, 300V,52mm(TAPING)
5	J144	3812-000219	WIRE-NO SHEATH CU:TCWA, 300V,52mm(TAPING)	5	J209	3812-000219	WIRE-NO SHEATH CU:TCWA, 300V,52mm(TAPING)
5	J146	3812-000219	WIRE-NO SHEATH CU:TCWA, 300V,52mm(TAPING)	5	J210	3812-000219	WIRE-NO SHEATH CU:TCWA, 300V,52mm(TAPING)
5	J147	3812-000219	WIRE-NO SHEATH CU:TCWA, 300V,52mm(TAPING)	5	J211	3812-000219	WIRE-NO SHEATH CU:TCWA, 300V,52mm(TAPING)
5	J159	3812-000219	WIRE-NO SHEATH CU:TCWA, 300V,52mm(TAPING)	5	J202	3812-000219	WIRE-NO SHEATH CU:TCWA, 300V,52mm(TAPING)
5	J169	3812-000219	WIRE-NO SHEATH CU:TCWA, 300V,52mm(TAPING)	5	J196	3812-000219	WIRE-NO SHEATH CU:TCWA, 300V,52mm(TAPING)
5	J170	3812-000219	WIRE-NO SHEATH CU:TCWA, 300V,52mm(TAPING)	5	J197	3812-000219	WIRE-NO SHEATH CU:TCWA, 300V,52mm(TAPING)
5	J171	3812-000219	WIRE-NO SHEATH CU:TCWA, 300V,52mm(TAPING)	5	J198	3812-000219	WIRE-NO SHEATH CU:TCWA, 300V,52mm(TAPING)
5	J172	3812-000219	WIRE-NO SHEATH CU:TCWA, 300V,52mm(TAPING)	5	J200	3812-000219	WIRE-NO SHEATH CU:TCWA, 300V,52mm(TAPING)
5	J173	3812-000219	WIRE-NO SHEATH CU:TCWA, 300V,52mm(TAPING)	5	J201	3812-000219	WIRE-NO SHEATH CU:TCWA, 300V,52mm(TAPING)
5	J168	3812-000219	WIRE-NO SHEATH CU:TCWA, 300V,52mm(TAPING)	5	HIC01	AA13-20004W	IC HYBRID-,PAP103T,SIP,6P,PRE-AMP,TP
5	J160	3812-000219	WIRE-NO SHEATH CU:TCWA, 300V,52mm(TAPING)	5	GT01	AA60-40014A	PIN-GT,ASSY:AUTO
5	J161	3812-000219	WIRE-NO SHEATH CU:TCWA, 300V,52mm(TAPING)	5	GT02	AA60-40014A	PIN-GT,ASSY:AUTO
5	J162	3812-000219	WIRE-NO SHEATH CU:TCWA, 300V,52mm(TAPING)	5		AA97-12501A	ASSY SMD:CMC13410X/KMT
5	J166	3812-000219	WIRE-NO SHEATH CU:TCWA, 300V,52mm(TAPING)	6	ICM301	1204-001649	IC-VIDEO PROCESS:LA71598M,QFP,100P,-,PLA
5	J167	3812-000219	WIRE-NO SHEATH CU:TCWA, 300V,52mm(TAPING)	6	PCB	AA41-00549C	PCB-MAIN:TF20P1D4X,FR-1,1L,C,1.6T,330X24
5	J141	3812-000219	WIRE-NO SHEATH CU:TCWA, 300V,52mm(TAPING)	6		AA97-06858A	ASSY MICOM:,C17A,UPD784928,SNM-740MD,011
5	J109	3812-000219	WIRE-NO SHEATH CU:TCWA, 300V,52mm(TAPING)	7	ICM601	AA09-00261A	IC MICOM:UPD784927GF-230-3BA,TF20P1DF,1
5	J110	3812-000219	WIRE-NO SHEATH CU:TCWA, 300V,52mm(TAPING)	6		HA68-02176A	LABEL:LABEL
5	J111	3812-000219	WIRE-NO SHEATH CU:TCWA, 300V,52mm(TAPING)	3	C612	2401-000703	C-AL:2200uF,20%,25V,GP,-,12.5x25mm
5	J113	3812-000219	WIRE-NO SHEATH CU:TCWA, 300V,52mm(TAPING)	3	C607	2401-001998	C-AL:1000uF,20%,25V,GP,TP,10x20,5mm
5	J117	3812-000219	WIRE-NO SHEATH CU:TCWA, 300V,52mm(TAPING)	2		AA94-11859A	ASSY PCB CRT:14,C17A
5	J108	3812-000219	WIRE-NO SHEATH CU:TCWA, 300V,52mm(TAPING)	3		0202-000008	SOLDER-WIRE:SE3S-W3.0,S63S,D3,63Sn/37Pb,
5	D101	3812-000219	WIRE-NO SHEATH CU:TCWA, 300V,52mm(TAPING)	3		0202-000187	SOLDER-WIRE FLUX:-,RS60S,D1.2,63Sn/37Pb
5	DM601	3812-000219	WIRE-NO SHEATH CU:TCWA, 300V,52mm(TAPING)	3		0204-001095	THINNER:#4520,-,-,-
5	J103	3812-000219	WIRE-NO SHEATH CU:TCWA, 300V,52mm(TAPING)	3		0202-001046	FLUX:CF-110VH-2A,-,-,-,-
5	J106	3812-000219	WIRE-NO SHEATH CU:TCWA, 300V,52mm(TAPING)	△	V999S	3704-001112	SOCKET-CRT:8P,12PI,22.5PI,NI,-
5	J107	3812-000219	WIRE-NO SHEATH CU:TCWA, 300V,52mm(TAPING)	3	CN502B	AA39-20052A	LEAD CONNECTOR-ASSY:4P,YBNH025-04,YSH02
5	J120	3812-000219	WIRE-NO SHEATH CU:TCWA, 300V,52mm(TAPING)	3	CN501B	AA39-20069A	LEAD CONNECTOR-ASSY:5P,YBNH025-05,67096
5	J136	3812-000219	WIRE-NO SHEATH CU:TCWA, 300V,52mm(TAPING)	3	IC501	AA96-00842A	ASSY H/S;VIDEO,AA62-30175D,TDA6107Q
5	J137	3812-000219	WIRE-NO SHEATH CU:TCWA, 300V,52mm(TAPING)	4	IC501	1201-001541	IC-VIDEO AMP:6107,ZSIP:9P,-,SINGLE,-,PLA
5	J138	3812-000219	WIRE-NO SHEATH CU:TCWA, 300V,52mm(TAPING)	4	SCR501	6003-000334	SCREW-TAPTITE:RH,+2S,M3,L6,ZPC(YEL),SWR
5	J139	3812-000219	WIRE-NO SHEATH CU:TCWA, 300V,52mm(TAPING)	4	H/S501	AA62-30175D	HEAT SINK-PS-,SECC,T1.0,-,33X15X30 FT-2
5	J140	3812-000219	WIRE-NO SHEATH CU:TCWA, 300V,52mm(TAPING)	3		AA97-13016A	ASSY AUTO-MAIN:CS21A5
5	J135	3812-000219	WIRE-NO SHEATH CU:TCWA, 300V,52mm(TAPING)	4	D504	0402-000132	DIODE-RECTIFIER:1N4004,400V,1A,DO-41,TP

Loc. No.	Code No.	Description ; Specification	Remark
4	D503	0402-000132	DIODE-RECTIFIER:1N4004,400V,1A,DO-41,TP
4	D502	0402-000132	DIODE-RECTIFIER:1N4004,400V,1A,DO-41,TP
4	D501	0402-000254	DIODE-RECTIFIER:RG10J,600V,1A,DO-41,TP
4	DZ501	0403-000508	DIODE-ZENER:MTZJ5.6B,5.6V,5.45-5.73V,500
4	R509	2001-000281	R-CARBON:1000HM,5%,1/8W,AA,TP,1.8X3.2MM
4	R508	2001-000281	R-CARBON:1000HM,5%,1/8W,AA,TP,1.8X3.2MM
4	R507	2001-000281	R-CARBON:1000HM,5%,1/8W,AA,TP,1.8X3.2MM
4	R506	2001-001062	R-CARBON(S):10MOHM,5%,1/2W,AA,TP,2.4X6.4
4	R503	2002-001008	R-COMPOSITION:1.8Kohm,10%,1/2W,AA,TP,3.7
4	R502M	2002-001008	R-COMPOSITION:1.8Kohm,10%,1/2W,AA,TP,3.7
4	R501M	2002-001008	R-COMPOSITION:1.8Kohm,10%,1/2W,AA,TP,3.7
4	C503	2201-000723	C-CERAMIC,DISC:4.7nF,20%,3KV,Y5U,TP,16x5
4	C501	2202-000825	C-CERAMIC,MLC-AXIAL:680pF,10%,50V,Y5P,TP
4	C502	2301-000213	C-FILM,PEF:220nF,5%,250V,TP,21.5x11,7.5
4	C506	2401-000430	C-AL:10uF,20%,250V,GP,TP,10x16mm,5m
4	C504	2401-001232	C-AL:4.7uF,20%,250V,GP,TP,10x12.5,5
4	JC501	3812-000219	WIRE-NO SHEATH CU:TCWA,300V,52mm(TAPING)
4	JC500	3812-000219	WIRE-NO SHEATH CU:TCWA,300V,52mm(TAPING)
4	PCB	AA41-00550A	PCB-CRT:TF21B5S,FR-1,1L,A,1.6T,330X245,C
4	GT502	AA60-40014A	PIN-GT,ASSY:AUTO
2		AA94-11761A	ASSY PCB MISC-A/V:TB20A54X/XSA,C17A
3		0202-000008	SOLDER-WIRE:S63S-W3.0,S63S,D3,63Sn/37Pb,
3		0202-000187	SOLDER-WIRE FLUX:-,RS60S,D1.2,63Sn/37Pb
3		0204-001095	THINNER:#4520,-,-,-
3		0202-001046	FLUX:CF-110VH-2A,-,-,-
3	JA03	3722-000145	JACK-PHONE:1P3.6PI,MBAG,BLK,-
3	JA02	3722-001342	JACK-PIN:1P3.4MM,NI,YEL,-
3	JA01	3722-001343	JACK-PIN:1P3.4MM,NI,WHT,-
3	CN701B	AA39-20461C	LEAD CONNECTOR-ASSY:,11P,YBNH250-11,6709
3		AA97-12473A	ASSY AUTO-A/V:TB20A54X/XSA,C17A
4	RY701	2001-000958	R-CARBON:7500HM,5%,1/8W,AA,TP,1.8X3.2MM
4	RY702	2001-000958	R-CARBON:7500HM,5%,1/8W,AA,TP,1.8X3.2MM
4	CY702	2202-000121	C-CERAMIC,MLC-AXIAL:100pF,10%,50V,Y5P,TP
4	LY702	2701-000114	INDUCTOR-AXIAL:10uH,10%,2.5x3.4mm
4	LY701	2701-000116	INDUCTOR-AXIAL:10uH,10%,4.2x9.8mm
4		AA41-00546A	PCB-A/V MONO:TF21B5S,FR-1,1L,A,1.6T,330X
2		AA95-01822B	ASSY SUB-PCB,MASTER:20P1,C17A,AA95-01615
3	SW811S	3403-001107	SWITCH-PUSH:250V,5A,DPST-,KDC-A04
3		6001-000057	SCREW-MACHINE:RH,+,M3,L6,ZPC(BLK),SWRCH1
3	CN801	AA39-00206B	LEAD CONNECTOR-ASSY:,2P,YFH800-02,S,400M
3		AA61-10320A	BRACKET-MASTER:T3350,SECC,T1.0,-,-,-
3		AA97-05602A	ASSY AUTO-SUB:20P1,C17A
4	PCB	AA41-00587A	PCB-MASTER:20P1,FR-1,1L,A,1.6T,245X245,C
4	EY801	AA60-40011A	K EYELET:ID2.0,OD2.8,BST
4	EY802	AA60-40011A	K EYELET:ID2.0,OD2.8,BST
4	EY803	AA60-40011A	K EYELET:ID2.0,OD2.8,BST
4	EY804	AA60-40011A	K EYELET:ID2.0,OD2.8,BST
4	EY805	AA60-40011A	K EYELET:ID2.0,OD2.8,BST
4	EY806	AA60-40011A	K EYELET:ID2.0,OD2.8,BST
4	GTM801	AA60-40014A	PIN-GT,ASSY:AUTO
4	GTM802	AA60-40014A	PIN-GT,ASSY:AUTO
2		AA61-00050A	SPRING ETC-DOOR:TVCR TVI,SUS304,-,-,-,-
2		AA90-00947A	ASSY-FULL DECK:2HD,SVTS-M2P/XEC
3		AA91-00741A	ASSY-DECK:,SCORPIO TOSHIBA
3		AA91-00744A	ASSY-DRUM:,2HD,NON-DLC,SCORPIO
3		AA91-00782A	ASSY-S-IMP ROLLER:PAL 2HD SESA,TF14N53
3		6006-001092	SCREW-ASS'Y MACH:WS,PH,+,M3.0,L6.0,ZPC(Y
2		AA96-01127B	ASSY POWER CORD:DP,AA39-10001M,CP2,H/C40
3		AA39-10001M	CBF POWER CORD:-,KJP-140,KLCE-2F,2.4m,HO
3		AA61-20284A	HOLDER-P-CORD,PP,-,-,-,BLK,VO,KE-002
2		AA64-03106B	DOOR-HOUSING:14P6,14N6(SEH),ABS,HB,BLK,W
2		AA90-02598A	ASSY COVER MISC-FRAME:SEH TVCR,STYX C17A
3	DE+FD	6003-001268	SCREW-TAPTITE:TH,+,B,M4.0,L12.0,ZPC(YEL)
3	PW+FD	6003-001268	SCREW-TAPTITE:TH,+,B,M4.0,L12.0,ZPC(YEL)
3	FD+BF	6003-001023	SCREW-TAPTITE:RWH,+,B,M3,L10,ZPC(YEL),SW
3		AA61-00862A	FRAME-DECK-S-PJT,HIPS VO,BLK,ONE-BOARD
3		AA61-01214A	BRACKET-FRAME:,SECC,T1.0
3		AA63-00520A	SHIELD-BOTTOM:20A5S,SPT,TO.3
3		AA91-03961A	ASSY-SHIELD DRUM:,AA63-00521A+TAPE,20A5
4		AA63-00521A	SHIELD-DRUM:20A5S,SECC,TO.5
2		AA65-30009A	CLAMPER CORE-FBT:-,ABS,VO,-,BLK,-

### ASSY CPT

Loc. No.	Code No.	Description ; Specification	Remark
1	AA91-05780A	ASSY CPT:C17A,14,PHILIPS,A34EAC01X06	
2	LC801S	AA27-00241A	COIL DEGAUSSING:-,CPT TV 14INCH,-,10%,55
2		AA03-10023X	CRT COLOR:A34EAC01X06,+380mG,2.5mH,27.5m
2		AA98-70032A	ASSY TBC WIRE(P):DP,14,AA98-70014A,1P,TV
2		AA39-20518A	LEAD CONNECTOR-ASSY:,6(4P),YFH806-06,350

### ASSY COVER FRONT

Loc. No.	Code No.	Description ; Specification	Remark
1	AA90-04406A	ASSY COVER FRONT:TW14N64X/BWT,C17A	
2	CB+CF	6002-000515	SCREW-TAPPING:RH,+,2,M4,L15,ZPC(WHT),SWR
2	CRT+CF	AA60-100500	SCREW-ASSY:-,SWRCH18A,M5,L26.5,HH,+,WC,-
2		AA65-30106A	CLAMPER CORE-D,COIL:14 INCH,NYLON 66,V2,
2		AA96-01025C	ASSY COVER P-FRONT:14N6,HB,WH-001S
3		HA83-00049A	LP-ADHESIVE-HM:12MM,NTR
3	KF+CF	6003-001019	SCREW-TAPTITE:RH,+,B,M4,L12,ZPC(BLK),SWR
3	IND+CF	6003-001019	SCREW-TAPTITE:RH,+,B,M4,L12,ZPC(BLK),SWR
3		AA61-60003Q	SPRING ETC-CS:-,SUS304,-,-,OD8,N5,OD8,-
3		AA64-01066K	KNOB-FAMILY:14N6 SEH,ABS,HB,WHITE,WH-00
3		AA64-01067L	KNOB-MASTER:14N6 SEH,ABS,HB,WHITE,WH-001
3		AA64-01068B	WINDOW REMOCON:14N5,PC,-,-,-,VIOLET,-
3		AA64-01069B	INDICATOR LED:14N5,ABS,-,-,LG-02431,-
3		AA64-03101C	CABINET FRONT:14N6 SEH,HIPS,HB,WHITE,WH-
4		0201-001031	ADHESIVE-STR:AS-141-3B,-,0.85-1.05,-
4		AA61-40010A	BOSS-WING:-,HIPS,-,-,-,NTR,HB
5		HA83-00006A	LP-RESIN HIPS:,BASF495F,NTR,HB
3		AA64-70127F	BADGE-BRAND:NEW,AL,-,-,L40,R800,SILVER,S
2		AA96-40161A	ASSY SPEAKER:-,8ohm,2W,77BR02N,-,200
3		3001-000281	SPEAKER:2.5W,80HM,90DB,140HZ
3		AA39-20501A	LEAD CONNECTOR-ASSY:,3(2),67096-003,REC,
2		AA65-30018A	CLAMPER CORE-WIRE:DONG-A,NYLON-66,-,-,-
2		HA68-02177B	LABEL-POS:ALL,30MM,65MM,WHITE,AA68-02177
2	AV+CF	6003-001023	SCREW-TAPTITE:RWH,+,B,M3,L10,ZPC(YEL),SW
2	KP+CF	6003-001023	SCREW-TAPTITE:RWH,+,B,M3,L10,ZPC(YEL),SW

### ASSY COVER REAR

Loc. No.	Code No.	Description ; Specification	Remark
1	AA90-04413A	ASSY COVER REAR:TW14N64X/BWT	
2	AA64-02220B	CABINET-BACK:14N5S(NEW),HIPS,FV2,WHITE	
3	AA63-60001L	SPACER-FELT:-,FELT,-,-,-,BLK,TO.35,-,150	
2	AA65-30008A	CLAMPER CORE-CORD:-,PE,HB,-,BLK,-	

### ASSY ACCESSORY

Loc. No.	Code No.	Description ; Specification	Remark
1	AA92-07399A	ASSY ACCESSORY:TW14N*4X/BWT	
2	AA59-00221E	REMOCON:,TM66,SAA5554PS,38,G6671B,S/S,	
2	4301-000121	BATTERY-MN:1.5V,-,AAA,10.5x44.5m,HOLDER	
2	HA69-00276A	BAG VINYL:HDPE,TO.025,L400,W240,-,W/O LO	
2	AA26-90001C	TRANS MATCHING:-,300ohm/75ohm,PAL,40-890	
2	AA42-00003A	ANT ROD:-,3S,720mm,ABS,UL/CSA,-	
2	AA68-02264A	MANUAL USERS:,RUS,W/P100(G),2,B5,C17A,56	
2	HA68-00816B	CARD WARRANTY:RUSSINA,2,W/P 120G,BOTH FA	
2	AA68-01120A	MANUAL SERVICE:-,CIS,A4,6PAGE(FOLD),W/	

















Loc. No.	Code No.	Description ; Specification	Remark
4	EY410	AA60-40011A K EYELET;ID2.0,OD2.8,BST	
4	EY401	AA60-40011A K EYELET;ID2.0,OD2.8,BST	
4	EY402	AA60-40011A K EYELET;ID2.0,OD2.8,BST	
4	EY403	AA60-40011A K EYELET;ID2.0,OD2.8,BST	
4	EY404	AA60-40011A K EYELET;ID2.0,OD2.8,BST	
4	EY405	AA60-40011A K EYELET;ID2.0,OD2.8,BST	
4	EY411	AA60-40011A K EYELET;ID2.0,OD2.8,BST	
4	EY419	AA60-40011A K EYELET;ID2.0,OD2.8,BST	
4	EY420	AA60-40011A K EYELET;ID2.0,OD2.8,BST	
4	EY421	AA60-40011A K EYELET;ID2.0,OD2.8,BST	
4	EY422	AA60-40011A K EYELET;ID2.0,OD2.8,BST	
4	EY423	AA60-40011A K EYELET;ID2.0,OD2.8,BST	
4	EY412	AA60-40011A K EYELET;ID2.0,OD2.8,BST	
4	EY414	AA60-40011A K EYELET;ID2.0,OD2.8,BST	
4	EY415	AA60-40011A K EYELET;ID2.0,OD2.8,BST	
4	EY416	AA60-40011A K EYELET;ID2.0,OD2.8,BST	
4	EY417	AA60-40011A K EYELET;ID2.0,OD2.8,BST	
4	EL802	AA60-40011B K EYELET;ID2.2,OD3.2,BSP	
4	EL803	AA60-40011B K EYELET;ID2.2,OD3.2,BSP	
4	EL804	AA60-40011B K EYELET;ID2.2,OD3.2,BSP	
4	EL805	AA60-40011B K EYELET;ID2.2,OD3.2,BSP	
4	EL801	AA60-40011B K EYELET;ID2.2,OD3.2,BSP	
4	EL301	AA60-40011B K EYELET;ID2.2,OD3.2,BSP	
4	EL302	AA60-40011B K EYELET;ID2.2,OD3.2,BSP	
4	EL403	AA60-40011B K EYELET;ID2.2,OD3.2,BSP	
4	EL404	AA60-40011B K EYELET;ID2.2,OD3.2,BSP	
4	GT805	AA60-40014A PIN-GT,ASSY,AUTO	
4	GT804	AA60-40014A PIN-GT,ASSY,AUTO	
4	GT803	AA60-40014A PIN-GT,ASSY,AUTO	
4	GT806	AA60-40014A PIN-GT,ASSY,AUTO	
4	GT807	AA60-40014A PIN-GT,ASSY,AUTO	
4	GT808	AA60-40014A PIN-GT,ASSY,AUTO	
4	GT301	AA60-40014A PIN-GT,ASSY,AUTO	
4	GT302	AA60-40014A PIN-GT,ASSY,AUTO	
4	GT401	AA60-40014A PIN-GT,ASSY,AUTO	
4	GT402	AA60-40014A PIN-GT,ASSY,AUTO	
4	GT801	AA60-40014A PIN-GT,ASSY,AUTO	
4	GT802	AA60-40014A PIN-GT,ASSY,AUTO	
4	R302	2004-004366 R-METAL(S);1.3Kohm,1%,1/2W,AA,TP,2.5x6.5	
4	R306	2004-004366 R-METAL(S);1.3Kohm,1%,1/2W,AA,TP,2.5x6.5	
4		HA68-02176A LABEL-LABEL	
2		AA95-01756G ASSY SUB-PCB CRT;,C17A20,21,PAL ALL SE	
3		0202-000008 SOLDER-WIRE:S63S-W3.0,S63S,D3,63Sn/37Pb,	
3		0202-000187 SOLDER-WIRE FLUX:-,RS60S,D1.2,63Sn/37Pb	
3		0204-001095 THINNER:#4520,-,-,-	
3		0202-001046 FLUX:CF-110VH-2A,-,-,-,-	
3	V999S	3704-001105 SOCKET-CRT;11P,20PI,26.5PI,NI,-	
3	CN502B	AA39-20052A LEAD CONNECTOR-ASSY;,4P,YBNH025-04,YSH02	
3	CN501B	AA39-20069A LEAD CONNECTOR-ASSY;,5P,YBNH025-05,67096	
3	IC501	AA96-00842A ASSY H/S;VIDEO,AA62-30175D,TDA6107Q	
4	IC501	1201-001541 IC-VIDEO AMP:6107,ZSIP9P,-,SINGLE,-,PLA	
4	SCR501	6003-000334 SCREW-TAPTITE:RH,+2S,M3,L6,ZPC(YEL),SWR	
4	H/S501	AA62-30175D HEAT SINK-PS-;,SECC,T1.0,-,33X15X30 FT-2	
3		AA97-05570A ASSY AUTO-SUB;14/20/21,C17A,PAL	
4	D502	0402-000132 DIODE-RECTIFIER;1N4004,400V,1A,DO-41,TP	
4	D503	0402-000132 DIODE-RECTIFIER;1N4004,400V,1A,DO-41,TP	
4	D504	0402-000132 DIODE-RECTIFIER;1N4004,400V,1A,DO-41,TP	
4	D501	0402-000254 DIODE-RECTIFIER:RGP10J,600V,1A,DO-41,TP	
4	DZ501	0403-000508 DIODE-ZENER:MTZJ5.6B,5.6V,5.45-5.73V,500	
4	R507	2001-000281 R-CARBON:1000HM,5%,1/8W,AA,TP,1.8X3.2MM	
4	R508	2001-000281 R-CARBON:1000HM,5%,1/8W,AA,TP,1.8X3.2MM	
4	R509	2001-000281 R-CARBON:1000HM,5%,1/8W,AA,TP,1.8X3.2MM	
4	R506	2001-001062 R-CARBON(S);10MOHM,5%,1/2W,AA,TP,2.4X6.4	
4	R501H	2002-001008 R-COMPOSITION:1.8Kohm,10%,1/2W,AA,TP,3.7	
4	R502H	2002-001008 R-COMPOSITION:1.8Kohm,10%,1/2W,AA,TP,3.7	
4	R503	2002-001008 R-COMPOSITION:1.8Kohm,10%,1/2W,AA,TP,3.7	
4	C503	2201-000723 C-CERAMIC,DISC;4.7nF,20%,3KV,Y5U,TP,16x5	
4	C501	2202-000825 C-CERAMIC,MLC-AXIAL:680pF,10%,50V,Y5P,TP	
4	C502	2301-000213 C-FILM,PEF:220nF,5%,250V,TP,21.5x11,7.5	
4	C506	2401-000430 C-AL:10uF,20%,250V,GP,TP,10x16mm,5m	
4	C504	2401-001232 C-AL:4.7uF,20%,250V,GP,TP,10x12.5,5	
4	JC500	3812-000219 WIRE-NO SHEATH CU;TCWA,300V,52mm(TAPING)	
4	JC501	3812-000219 WIRE-NO SHEATH CU;TCWA,300V,52mm(TAPING)	
4	PCB	AA41-00550A PCB-CRT:TF21B5S,FR-1,1L,A,1.6T,330X245,C	
4	GT502	AA60-40014A PIN-GT,ASSY,AUTO	
2		AA95-01822B ASSY SUB-PCB,MASTER;20P1,C17A,AA95-01615	
3	SW811S	3403-001107 SWITCH-PUSH;250V,5A,DPST,-,KDC-A04	

Loc. No.	Code No.	Description ; Specification	Remark
3		6001-000057 SCREW-MACHINE:RH,+M3,L6,ZPC(BLK),SWRCH1	
3	CN801	AA39-00206B LEAD CONNECTOR-ASSY;2PYFH800-02,S,400M	
3		AA61-10320A BRACKET-MASTER:T3350,SECC,T1.0,-,-,-,-	
3		AA97-05602A ASSY AUTO-SUB;20P1,C17A	
4	PCB	AA41-00587A PCB-MASTER;20P1,FR-1,1L,A,1.6T,245X245,C	
4	EY801	AA60-40011A K EYELET;ID2.0,OD2.8,BST	
4	EY802	AA60-40011A K EYELET;ID2.0,OD2.8,BST	
4	EY803	AA60-40011A K EYELET;ID2.0,OD2.8,BST	
4	EY804	AA60-40011A K EYELET;ID2.0,OD2.8,BST	
4	EY805	AA60-40011A K EYELET;ID2.0,OD2.8,BST	
4	EY806	AA60-40011A K EYELET;ID2.0,OD2.8,BST	
4	GTM801	AA60-40014A PIN-GT,ASSY,AUTO	
4	GTM802	AA60-40014A PIN-GT,ASSY,AUTO	
2		AA96-01127B ASSY POWER CORD;DPA39-10001M,CP2,H/C40	
3		AA39-10001M CBF POWER CORD;-;KJP-140,KLCE-2F,2.4m,HO	
3		AA61-20284A HOLDER-P-CORD,PP,-,-,-,BLK,VO,KE-002	
2		AA64-03106H DOOR-HOUSING;21B4D(SEH),ABS HB,BLK,DG-90	
2		AA61-00050A SPRING ETC-DOOR;TVCR TVI,SUS304,-,-,-,-,-	
2		AA90-00947A ASSY-FULL DECK;2HD,SVTS-M2P/XEC	
3		AA91-00741A ASSY-DECK;SCORPIO TOSHIBA	
3		AA91-00744A ASSY-DRUM;2HD,NON-DLC,SCORPIO	
3		AA91-00782A ASSY-S-IMP ROLLER;,PAL 2HD SESA,TF14N53,	
3		6006-001092 SCREW-ASSY Y MACH;WS,PH,+M3.0,L6.0,ZPC(Y	
2		AA90-02598A ASSY COVER MISC-FRAME;SEH TVCR,STYX C17A	
3	DE+FD	6003-001268 SCREW-TAPTITE:TH,+B,M4.0,L12.0,ZPC(YEL)	
3	PW+FD	6003-001268 SCREW-TAPTITE:TH,+B,M4.0,L12.0,ZPC(YEL)	
3	FD+BF	6003-001023 SCREW-TAPTITE:RWH,+B,M3,L10,ZPC(YEL),SW	
3		AA61-00862A FRAME-DECK:S-PJT,HIPS V0,BLK,ONE-BOARD	
3		AA61-01214A BRACKET-FRAME;,SECC,T1.0	
3		AA63-00520A SHIELD-BOTTOM;20A5S,SPT,TO.3	
3		AA91-03961A ASSY-SHIELD DRUM;,AA63-00521A+TAPE,20A5	
4		AA63-00521A SHIELD-DRUM;20A5S,SECC,TO.5	
2		AA65-30009A CLAMPER CORE-FBT;-ABS,VO,-,BLK,-	

ASSY CPT

1		AA91-05785A ASSY CPT;C17A,21,SEB&SDIHU,A51EER33X40	
2	LC801S	AA27-20003Z COIL DEGAUSSING;-;21,13.5ohm,25T,L2380,E	
2		AA03-00279A CRT COLOR:A51EER33X,+380MG,2.07MH,21.0MMH	
2		AA98-70030A ASSY TBC WIRE(P);DP,21,AA98-70014C,1P,TV	

ASSY COVER FRONT

1		AA90-03681A ASSY COVER FRONT;TW21B4D4X/BWT	
2	CB+CF	6002-000515 SCREW-TAPPING:RH,+2,M4,L15,ZPC(WHT),SWR	
2	CRT+CF	AA60-10050Q SCREW-ASSY;-;SWRCH18A,M5,L26.5,HH,+WC,-	
2		AA65-30107A CLAMPER CORE-D,COIL;20-22 INCH,NYLON 66,	
3		AA96-01026A ASSY COVER P-FRONT;21B4,HB,GD-905P	
2		HA83-00049A LP-ADHESIVE-HM;12MM,NTR	
3	KF+CF	6003-001019 SCREW-TAPTITE:RH,+B,M4,L12,ZPC(BLK),SWR	
3	SPK+CF	6003-001019 SCREW-TAPTITE:RH,+B,M4,L12,ZPC(BLK),SWR	
3	KNOMAS	AA61-60003Q SPRING ETC-CS-;,SUS304,-,-,OD8,N5,OD8,-,	
3		AA64-01573A INDICATOR LED;21B5 NEW,PC,CLEAR	
3		AA64-03100A CABINET FRONT;21B5 SEH,HIPS,HB,G7666,GD9	
3		AA64-10799D KNOB-MASTER;21B4 SEH,ABS,HB,G3676,DG905P	
3		AA64-10800C KNOB-FAMILY;21B5,ABS,HB,G3676,GD905P	
3		AA64-40522B WINDOW-REMOCON;-;21B5,-,PC,VIOLET,-,-	
3		AA64-70010B BADGE-BRAND;-AL,-,L50,-,SILVER,SS R20	
3		3001-001087 SPEAKER;5W,16OHM,90DB,250+50HZ	
3		AA39-20505M LEAD CONNECTOR-ASSY;,4P,YSH025-04,REC,35	
2		AA65-30018A CLAMPER CORE-WIRE:DONG-A,NYLON-66,-,-,-,-	
2		HA68-02177B LABEL-POS;ALL,30MM,65MM,WHITE,AA68-02177	
2	AV+CF	6003-001023 SCREW-TAPTITE:RWH,+B,M3,L10,ZPC(YEL),SW	
2	KP+CF	6003-001023 SCREW-TAPTITE:RWH,+B,M3,L10,ZPC(YEL),SW	

Loc. No.	Code No.	Description ; Specification	Remark	Loc. No.	Code No.	Description ; Specification	Remark
<b>ASSY COVER REAR</b>				<b>ASSY ACCESSORY</b>			
1	AA90-03733A	ASSY COVER REAR;TW21B4D4X/BWT		1	AA92-06494A	ASSY ACCESSORY;TW20P14X/BWT	
2	AA64-02263A	CABINET BACK;21B5S,HIPS FV2,GR503		2	AA59-00221E	REMOCON;TM66,SA5554PS,38,G6671B,S/S,	
2	AA65-30008A	CLAMPER CORE-CORD;-PE,HB,-,BLK,-		2	4301-000121	BATTERY-MN;1.5V,-,AAA,10.5x44.5m,HOLDER	
				2	HA69-00276A	BAG VINYL;HDP,TO.025,L400,W240,-,W/O LO	
				2	AA68-02264A	MANUAL USERS;RUS,W/P100(G),2,B5,C17A,56	
				2	HA68-00816B	CARD WARRANTY;RUSSINA,2,W/P 120G,BOTH FA	
				2	AA68-01120A	MANUAL SERVICE;-,-,CIS,A4,6PAGE(FOLD),W/	

**7-5 TX14P1DF4X/XEC**

Loc. No.	Code No.	Description ; Specification	Remark	Loc. No.	Code No.	Description ; Specification	Remark	
<b>ASSY CHASSIS</b>								
1	AA91-05534C	ASSY CHASSIS;TX14P1DF4X/XEC,C17A,EU,PHIL		△ 4	TU01S	AA40-00069A	TUNER;TEDE9-802A,PAL,181CH,38.9MHZ,750HM	
2	AA94-11835A	ASSY PCB MISC-M/DECK;TF20P1D4X/XEC,C17A		4		AA97-12749A	ASSY AUTO;DW28G6VD2X/SPL,VC1A	
3	0201-000280	ADHESIVE-TS;EH-260D,RED,450°±50PS,10CC		5	DM301	0401-000005	DIODE-SWITCHING;1N4148,100V,200mA,DO-35,	
3	0202-000008	SOLDER-WIRE;S63S-W3.0,S63S,D3,63Sn/37Pb,		5	DM601	0401-000005	DIODE-SWITCHING;1N4148,100V,200mA,DO-35,	
3	0202-000187	SOLDER-WIRE FLUX;-RS60S,D1.2,63Sn/37Pb		5	DM603	0401-000005	DIODE-SWITCHING;1N4148,100V,200mA,DO-35,	
3	0204-001095	THINNER;#4520,-,-,-		5	DM609	0401-000005	DIODE-SWITCHING;1N4148,100V,200mA,DO-35,	
3	0202-001046	FLUX;CF-110VH-2A,-,-,-,-		5	DJ01	0401-000005	DIODE-SWITCHING;1N4148,100V,200mA,DO-35,	
3	PTM602	0604-001122	PHOTO-INTERRUPTER;TR,0.065%,150mW,DIP-4,					
3	PTM601	0604-001122	PHOTO-INTERRUPTER;TR,0.065%,150mW,DIP-4,					
3	ICM602	1003-001318	IC-MOTOR DRIVER;LB11880,DIP,30P,417MIL,-					
3	IC601	1201-001386	IC-POWER AMP;7267,DIP,16P,-,DUAL,32dB,PL					
3	XTM301	2801-000277	CRYSTAL-UNIT;4.433619MHz,8ppm,28-AAM,S,1					
3	CNM302	3708-000394	CONNECTOR-FPC/FFC/PIC;6P,1.25mm,STRAIGHT					
3	CNM301	3708-000394	CONNECTOR-FPC/FFC/PIC;6P,1.25mm,STRAIGHT					
3	CNM602	3708-001053	CONNECTOR-FPC/FFC/PIC;7P,1.25mm,STRAIGHT					
3	CNM303	3710-001648	CONNECTOR-SOCKET;2P,1R,2.5mm,STRAIGHT,SN					
3	CN601B	3711-002642	CONNECTOR-HEADER;BOX,3P,1R,2.5mm,STRAIGH					
3	CN601A	3711-002643	CONNECTOR-HEADER;BOX,4P,1R,2.5mm,STRAIGH					
3	CN501A	3711-002644	CONNECTOR-HEADER;BOX,5P,1R,2.5mm,STRAIGH					
3	TPCN01	3711-002648	CONNECTOR-HEADER;BOX,9P,1R,2.5mm,STRAIGH					
3	CNM603	3711-003749	CONNECTOR-HEADER;BOX,8P,2R,2mm,STRAIGHT,					
3	LDM602	3722-001742	JACK-PIN;2P,-,NI,YEL/WHT,-					
3	CNM302	3809-001206	CABLE-FLAT;30V,-,20to+80C,140mm,6P,1.25mm					
3	CNM602	3809-001312	CABLE-FLAT;30V,80C,110MM,7P,1.25MM,UL289					
3	FLM301	AA26-10006C	TRANS RF;-7MF,BIAS,2.4MH,7MM,-,65.3KHZ					
3	SWM610	AA34-20001A	SWITCH-MODE;1,25x14.6x29.8mm,BK,DC5V					
3	SWM611	AA34-40001A	SWITCH-REC;-1EA,37.5x14.4mm,BK,DC5V					
3	WV01	AA39-00046C	LEAD CONNECTOR-ASSY;-1P,JUMPER,BLK,100MM					
3	CN802A	AA39-00180C	LEAD CONNECTOR-ASSY;TF20P1,UL1007#26,UL/					
3	CN801A	AA39-20055B	LEAD CONNECTOR-ASSY;-6P,YBNH025-06,67096					
3	CNM601	AA39-20603A	LEAD CONNECTOR-ASSY;-2P,GIL-S-2S-S2C2-S,					
3		AA39-30007A	CBF IF;-T,100mm,1365#26					
△ 3	TU02S	AA40-00071A	TUNER;TEDE9-247A,PAL,181CH,38.9MHZ,750HM					
3	REM601	AA59-60003V	MODULE REMOCON;-SRV-18,38KHZ,940NM,MESH					
3	GPM01	AA63-00444B	GROUND;TVCR,PBS,TO.3,-,-,-,SUS-DECK					
3	LDM601	AA91-60318A	ASSY-HOLDER,LED;-ABS,HB,BLK,IR LED,TS-D					
4	LED	0601-001303	LED-IR;SIDE-VIEW,2.5mm,75mW,6V,950nm,					
4	HOLDER	AA61-00003A	HOLDER-LED;TVN-502V,ABS,-,-,-,BLK,HB					
3	SM602	AA91-60319A	ASSY-HOLDER,SENSOR;-ABS,HB,BLK,TR LED,T					
3	SM601	AA91-60319A	ASSY-HOLDER,SENSOR;-ABS,HB,BLK,TR LED,T					
4	TR	0603-001011	PHOTO TR;NPN,35V,6V,50mA,75mW,BK					
4	HOLDER	AA61-00005A	HOLDER-SENSOR;TVN-502V,ABS,-,-,-,BLK,HB					
3		AA97-12675A	ASSY ROBOT;CS21K5					
4	IC702	0801-000213	IC-CMOS LOGIC;4052,MULTIPLEXER,DIP,16P,3					
4	IC701	0801-000961	IC-CMOS LOGIC;4053,MULTIPLEXER,DIP,16P,30					
4	IC902	1103-001177	IC-EEPROM;24WC16,2048x8Bit,DIP,8P,-,-,2.					
4	SFT01	2904-001063	FILTER-SAW AV;38.9MHz,SIP5K,TP,18.5dB,B/					
△ 4	SF101S	2904-001070	FILTER-SAW AV;38.9MHz,SIP5K,TP,14.6dB,B/					
△ 4	JS701	3722-000183	JACK-SCART;21P,4mm,SN,BLK,NO					
△ 4	IC201S	AA09-00278A	IC MICOM;TDA9361PS/N2/4/0717,SPM-744EW1					
4				5	△ 4	TU01S	AA40-00069A	TUNER;TEDE9-802A,PAL,181CH,38.9MHZ,750HM
				4		AA97-12749A	ASSY AUTO;DW28G6VD2X/SPL,VC1A	
				5	DM301	0401-000005	DIODE-SWITCHING;1N4148,100V,200mA,DO-35,	
				5	DM601	0401-000005	DIODE-SWITCHING;1N4148,100V,200mA,DO-35,	
				5	DM603	0401-000005	DIODE-SWITCHING;1N4148,100V,200mA,DO-35,	
				5	DM609	0401-000005	DIODE-SWITCHING;1N4148,100V,200mA,DO-35,	
				5	DJ01	0401-000005	DIODE-SWITCHING;1N4148,100V,200mA,DO-35,	
				5	D201	0401-000005	DIODE-SWITCHING;1N4148,100V,200mA,DO-35,	
				5	D202	0401-000005	DIODE-SWITCHING;1N4148,100V,200mA,DO-35,	
				5	D205	0401-000005	DIODE-SWITCHING;1N4148,100V,200mA,DO-35,	
				5	D601	0401-000005	DIODE-SWITCHING;1N4148,100V,200mA,DO-35,	
				5	D602	0402-000132	DIODE-RECTIFIER;1N4004,400V,1A,DO-41,TP	
				5	D203	0402-000132	DIODE-RECTIFIER;1N4004,400V,1A,DO-41,TP	
				5	ZDM601	0403-000508	DIODE-ZENER;MTZJ5.6B,5.6V,5.45-5.73V,500	
				5	DZ903	0403-000508	DIODE-ZENER;MTZJ5.6B,5.6V,5.45-5.73V,500	
				5	DZ902	0403-000508	DIODE-ZENER;MTZJ5.6B,5.6V,5.45-5.73V,500	
				5	DZ901	0403-000508	DIODE-ZENER;MTZJ5.6B,5.6V,5.45-5.73V,500	
				5	DZ101	0403-000508	DIODE-ZENER;MTZJ5.6B,5.6V,5.45-5.73V,500	
				5	DZ206	0403-000720	DIODE-ZENER;MTZJ9.1B,9.1V,8.57-9.01V,500	
				5	DZ701	0403-000720	DIODE-ZENER;MTZJ9.1B,9.1V,8.57-9.01V,500	
				5	ZDM602	0403-000720	DIODE-ZENER;MTZJ9.1B,9.1V,8.57-9.01V,500	
				5	DZ201	0403-000720	DIODE-ZENER;MTZJ9.1B,9.1V,8.57-9.01V,500	
				5	DZ203	0403-000720	DIODE-ZENER;MTZJ9.1B,9.1V,8.57-9.01V,500	
				5	DZ204	0403-000720	DIODE-ZENER;MTZJ9.1B,9.1V,8.57-9.01V,500	
				5	DZ205	0403-000720	DIODE-ZENER;MTZJ9.1B,9.1V,8.57-9.01V,500	
				5	KEZ1	0403-000720	DIODE-ZENER;MTZJ9.1B,9.1V,8.57-9.01V,500	
				5	DZ202	0403-001322	DIODE-ZENER;MTZJ8.2B,7.78-8.19V,500mW,DO	
				5	QM312	0501-000010	TR-SMALL SIGNAL;KSC1008,NPN,800mW,TO-92,	
				5	Q201	0501-000283	TR-SMALL SIGNAL;KSA539,PNP,400mW,TO-92,T	
				5	Q701	0501-000283	TR-SMALL SIGNAL;KSA539,PNP,400mW,TO-92,T	
				5	QM315	0501-000303	TR-SMALL SIGNAL;KSA733,PNP,250mW,TO-92,T	
				5	QM311	0501-000303	TR-SMALL SIGNAL;KSA733,PNP,250mW,TO-92,T	
				5	QM305	0501-000303	TR-SMALL SIGNAL;KSA733,PNP,250mW,TO-92,T	
				5	Q202	0501-000389	TR-SMALL SIGNAL;KSC815,NPN,400mW,TO-92,T	
				5	QM317	0501-000389	TR-SMALL SIGNAL;KSC815,NPN,400mW,TO-92,T	
				5	QM304	0501-000389	TR-SMALL SIGNAL;KSC815,NPN,400mW,TO-92,T	
				5	Q205	0501-000389	TR-SMALL SIGNAL;KSC815,NPN,400mW,TO-92,T	
				5	Q202	0501-000389	TR-SMALL SIGNAL;KSC815,NPN,400mW,TO-92,T	
				5	Q203	0501-000389	TR-SMALL SIGNAL;KSC815,NPN,400mW,TO-92,T	
				5	Q204	0501-000389	TR-SMALL SIGNAL;KSC815,NPN,400mW,TO-92,T	
				5	QM605	0501-000398	TR-SMALL SIGNAL;KSC945,NPN,250mW,TO-92,T	
				5	QM604	0501-000398	TR-SMALL SIGNAL;KSC945,NPN,250mW,TO-92,T	
				5	QM603	0501-000398	TR-SMALL SIGNAL;KSC945,NPN,250mW,TO-92,T	
				5	QM308	0501-000398	TR-SMALL SIGNAL;KSC945,NPN,250mW,TO-92,T	
				5	QM306	0501-000398	TR-SMALL SIGNAL;KSC945,NPN,250mW,TO-92,T	
				5	QM302	0501-000398	TR-SMALL SIGNAL;KSC945,NPN,250mW,TO-92,T	
				5	QM301	0501-000398	TR-SMALL SIGNAL;KSC945,NPN,250mW,TO-92,T	
				5	QM314	0501-000442	TR-SMALL SIGNAL;KTC3203-Y,NPN,400mW,TO-9	
				5	QM313	0501-000442	TR-SMALL SIGNAL;KTC3203-Y,NPN,400mW,TO-9	
				5	QM303	0504-000119	TR-DIGITAL;KSR1004,NPN,300mW,47K/47K,TO-9	
				5	Q601	0504-000123	TR-DIGITAL;KSR1010,NPN,300mW,10K,TO-92,T	
				5	ICM603	1203-000642	IC-RESET;572,TO-92,3P,-,PLASTIC,2.35/2.	
				5	RM638	2001-000003	R-CARBON;330ohm,5%,1/8W,AA,TP,1.8x3.2mm	
				5	RM633	2001-000003	R-CARBON;330ohm,5%,1/8W,AA,TP,1.8x3.2mm	















Loc. No.	Code No.	Description ; Specification	Remark	Loc. No.	Code No.	Description ; Specification	Remark
4	CR409S	2201-000991	C-CERAMIC,DISC;0.56nF,10%,2kV,Y5P,TP,7.5	4	EY816	AA60-40011A	K EYELET;ID2.0,OD2.8,BST
4	C826	2202-000121	C-CERAMIC,MLC-AXIAL;100pF,10%,50V,Y5P,TP	4	EY822	AA60-40011A	K EYELET;ID2.0,OD2.8,BST
4	C825	2202-000121	C-CERAMIC,MLC-AXIAL;100pF,10%,50V,Y5P,TP	4	EY825	AA60-40011A	K EYELET;ID2.0,OD2.8,BST
4	C824	2202-000632	C-CERAMIC,MLC-AXIAL;100nF,20%,50V,Z5U,TP	4	EY827	AA60-40011A	K EYELET;ID2.0,OD2.8,BST
4	C809	2301-000016	C-FILM,PEF;22nF,5%,100V,TP,7.2x4.5x9.0mm	4	EY828	AA60-40011A	K EYELET;ID2.0,OD2.8,BST
4	C816	2301-000224	C-FILM,PEF;22nF,5%,50V,TP,7.4x3.9x13mm,5	4	EY829	AA60-40011A	K EYELET;ID2.0,OD2.8,BST
4	C807	2301-000235	C-FILM,PEF;3.9nF,5%,50V,TP,6.5x3.0x5.5mm	4	EY817	AA60-40011A	K EYELET;ID2.0,OD2.8,BST
4	C310	2301-000254	C-FILM,PEF;39nF,5%,50V,TP,7.5x3.5x6.5mm,	4	EY818	AA60-40011A	K EYELET;ID2.0,OD2.8,BST
4	C407	2301-000383	C-FILM,PEF;10nF,5%,50V,TP;6x7x3.2mm,5mm	4	EY819	AA60-40011A	K EYELET;ID2.0,OD2.8,BST
4	C411	2301-001065	C-FILM,MPPF;47nF,5%,630V,TP,19x15.5x7.7,5	4	EY820	AA60-40011A	K EYELET;ID2.0,OD2.8,BST
4	C806	2301-001435	C-FILM,PPF;1.5nF,5%,1.2kV,TP;15x8x12.5mm	4	EY821	AA60-40011A	K EYELET;ID2.0,OD2.8,BST
4	C309	2305-000149	C-FILM,MPEF;100nF,5%,100V,TP,12x12.5x6.5	4	EY801	AA60-40011A	K EYELET;ID2.0,OD2.8,BST
4	C301	2305-000285	C-FILM,MPEF;220nF,5%,100V,TP;10.5x5.5x15	4	EY406	AA60-40011A	K EYELET;ID2.0,OD2.8,BST
4	CR405S	2305-000382	C-FILM,MPEF;4.7nF,5%,400V,TP,5mm	4	EY407	AA60-40011A	K EYELET;ID2.0,OD2.8,BST
4	C821	2305-000665	C-FILM,MPEF;100nF,5%,63V,TP,7.5x4.0x5.0m	4	EY408	AA60-40011A	K EYELET;ID2.0,OD2.8,BST
4	C810	2305-000665	C-FILM,MPEF;100nF,5%,63V,TP,7.5x4.0x5.0m	4	EY409	AA60-40011A	K EYELET;ID2.0,OD2.8,BST
4	C813	2401-000262	C-AL;100uF,20%,160V,HR,TP,16x25,7.5	4	EY410	AA60-40011A	K EYELET;ID2.0,OD2.8,BST
4	C307	2401-000365	C-AL;100uF,20%,50V,WT,TP,10x12.5mm,	4	EY401	AA60-40011A	K EYELET;ID2.0,OD2.8,BST
4	C815	2401-000703	C-AL;220uF,20%,25V,GP,-,12.5x25mm,	4	EY402	AA60-40011A	K EYELET;ID2.0,OD2.8,BST
4	C827	2401-000901	C-AL;22uF,20%,160V,GP,TP;10x20.5	4	EY403	AA60-40011A	K EYELET;ID2.0,OD2.8,BST
4	C401	2401-000927	C-AL;22uF,20%,250V,GP,TP;13x20.5	4	EY404	AA60-40011A	K EYELET;ID2.0,OD2.8,BST
4	C304	2401-001115	C-AL;330uF,20%,25V,GP,TP;10x12.5,5	4	EY405	AA60-40011A	K EYELET;ID2.0,OD2.8,BST
4	C808	2401-001192	C-AL;33uF,20%,50V,GP,TP;6.3x11.5	4	EY411	AA60-40011A	K EYELET;ID2.0,OD2.8,BST
4	C306	2401-001397	C-AL;470uF,20%,25V,GP,TP;10x16,5	4	EY419	AA60-40011A	K EYELET;ID2.0,OD2.8,BST
4	C823	2401-002144	C-AL;47uF,20%,16V,GP,TP;5x11,5	4	EY420	AA60-40011A	K EYELET;ID2.0,OD2.8,BST
4	C820	2401-002144	C-AL;47uF,20%,16V,GP,TP;5x11,5	4	EY421	AA60-40011A	K EYELET;ID2.0,OD2.8,BST
4	C406	2401-002619	C-AL;47uF,20%,25V,GP,TP;5x11,5	4	EY422	AA60-40011A	K EYELET;ID2.0,OD2.8,BST
4	C308	2401-003028	C-AL;100uF,20%,25V,WT,TP;6.3x11,5	4	EY423	AA60-40011A	K EYELET;ID2.0,OD2.8,BST
4	C819	2401-003139	C-AL;100uF,20%,25V,WT,TP;10*20,5mm	4	EY412	AA60-40011A	K EYELET;ID2.0,OD2.8,BST
4	L401	2701-000002	INDUCTOR-AXIAL;100uH,10%,4.2x9.8mm	4	EY414	AA60-40011A	K EYELET;ID2.0,OD2.8,BST
4	L404	2701-000142	INDUCTOR-AXIAL;1uH,10%,2.5x3.4mm	4	EY415	AA60-40011A	K EYELET;ID2.0,OD2.8,BST
4	L302	2701-000142	INDUCTOR-AXIAL;1uH,10%,2.5x3.4mm	4	EY416	AA60-40011A	K EYELET;ID2.0,OD2.8,BST
4	L301	2701-000142	INDUCTOR-AXIAL;1uH,10%,2.5x3.4mm	4	EY417	AA60-40011A	K EYELET;ID2.0,OD2.8,BST
4		0203-001123	TAPE-PAPER;#53131,TO.15,W6.0,L200000,YEL	4	EL802	AA60-40011B	K EYELET;ID2.2,OD3.2,BSP
4	L405	2701-000159	INDUCTOR-AXIAL;22uH,10%,4.2x9.8mm	4	EL803	AA60-40011B	K EYELET;ID2.2,OD3.2,BSP
4	J804	2701-001030	INDUCTOR-AXIAL;43uH,10%,5x14mm	4	EL804	AA60-40011B	K EYELET;ID2.2,OD3.2,BSP
4	L804	2901-000297	FILTER-EMI ON BOARD;-;3A,-,-,3.5x5,TP,-	4	EL805	AA60-40011B	K EYELET;ID2.2,OD3.2,BSP
4	L403	2901-000297	FILTER-EMI ON BOARD;-;3A,-,-,3.5x5,TP,-	4	EL801	AA60-40011B	K EYELET;ID2.2,OD3.2,BSP
4	L803	3301-001223	CORE-FERRITE BEAD;AA,62ohm,3.5x0.8x5mm,-	4	EL301	AA60-40011B	K EYELET;ID2.2,OD3.2,BSP
4	L802	3301-001223	CORE-FERRITE BEAD;AA,62ohm,3.5x0.8x5mm,-	4	EL302	AA60-40011B	K EYELET;ID2.2,OD3.2,BSP
4	FP801S	3601-000261	FUSE-CARTRIDGE;250V,3.15A,TIME-LAG,GLASS	4	EL403	AA60-40011B	K EYELET;ID2.2,OD3.2,BSP
4	FD801S	3601-001086	FUSE-AXIAL LEAD;125V,5A,FAST-ACTING,GLAS	4	EL404	AA60-40011B	K EYELET;ID2.2,OD3.2,BSP
4	FD802S	3601-001086	FUSE-AXIAL LEAD;125V,5A,FAST-ACTING,GLAS	4	GT805	AA60-40014A	PIN-GT,ASSY-AUTO
4	F801B	3602-000114	FUSE-HOLDER;-,-,30mohm	4	GT804	AA60-40014A	PIN-GT,ASSY-AUTO
4	F801A	3602-000114	FUSE-HOLDER;-,-,30mohm	4	GT803	AA60-40014A	PIN-GT,ASSY-AUTO
4	J818	3812-000219	WIRE-NO SHEATH CU;TCWA,300V,52mm(TAPING)	4	GT806	AA60-40014A	PIN-GT,ASSY-AUTO
4	J817	3812-000219	WIRE-NO SHEATH CU;TCWA,300V,52mm(TAPING)	4	GT807	AA60-40014A	PIN-GT,ASSY-AUTO
4	J815	3812-000219	WIRE-NO SHEATH CU;TCWA,300V,52mm(TAPING)	4	GT808	AA60-40014A	PIN-GT,ASSY-AUTO
4	J814	3812-000219	WIRE-NO SHEATH CU;TCWA,300V,52mm(TAPING)	4	GT301	AA60-40014A	PIN-GT,ASSY-AUTO
4	J813	3812-000219	WIRE-NO SHEATH CU;TCWA,300V,52mm(TAPING)	4	GT302	AA60-40014A	PIN-GT,ASSY-AUTO
4	J824	3812-000219	WIRE-NO SHEATH CU;TCWA,300V,52mm(TAPING)	4	GT401	AA60-40014A	PIN-GT,ASSY-AUTO
4	J822	3812-000219	WIRE-NO SHEATH CU;TCWA,300V,52mm(TAPING)	4	GT402	AA60-40014A	PIN-GT,ASSY-AUTO
4	J821	3812-000219	WIRE-NO SHEATH CU;TCWA,300V,52mm(TAPING)	4	GT801	AA60-40014A	PIN-GT,ASSY-AUTO
4	J820	3812-000219	WIRE-NO SHEATH CU;TCWA,300V,52mm(TAPING)	4	GT802	AA60-40014A	PIN-GT,ASSY-AUTO
4	J819	3812-000219	WIRE-NO SHEATH CU;TCWA,300V,52mm(TAPING)		HA68-02176A	LABEL LABEL	
4	J812	3812-000219	WIRE-NO SHEATH CU;TCWA,300V,52mm(TAPING)	2	AA95-01822B	ASSY SUB-PCB,MASTER;20P1.C17A,AA95-01615	
4	J806	3812-000219	WIRE-NO SHEATH CU;TCWA,300V,52mm(TAPING)	3	SW811S	3403-001107 SWITCH-PUSH;250V,5A,DPST,-,KDC-A04	
4	J805	3812-000219	WIRE-NO SHEATH CU;TCWA,300V,52mm(TAPING)	3	6001-000057	SCREW-MACHINE;RH,+,M3,L6,ZPC(BLK),SWRCH1	
4	J803	3812-000219	WIRE-NO SHEATH CU;TCWA,300V,52mm(TAPING)	3	CN801	AA39-00206B LEAD CONNECTOR-ASSY;2P,YFH800-02,S,400M	
4	J802	3812-000219	WIRE-NO SHEATH CU;TCWA,300V,52mm(TAPING)	3	AA61-10320A	BRACKET-MASTER;T3350,SECC,T1.0,-,-,-,	
4	J801	3812-000219	WIRE-NO SHEATH CU;TCWA,300V,52mm(TAPING)	3	AA97-05602A	ASSY AUTO-SUB;20P1.C17A	
4	J811	3812-000219	WIRE-NO SHEATH CU;TCWA,300V,52mm(TAPING)	4	PCB	AA41-00587A PCB-MASTER;20P1.FR-1,1L,A,1.6T,245X245,C	
4	J810	3812-000219	WIRE-NO SHEATH CU;TCWA,300V,52mm(TAPING)	4	EY801	AA60-40011A	K EYELET;ID2.0,OD2.8,BST
4	J809	3812-000219	WIRE-NO SHEATH CU;TCWA,300V,52mm(TAPING)	4	EY802	AA60-40011A	K EYELET;ID2.0,OD2.8,BST
4	J808	3812-000219	WIRE-NO SHEATH CU;TCWA,300V,52mm(TAPING)	4	EY803	AA60-40011A	K EYELET;ID2.0,OD2.8,BST
4	J807	3812-000219	WIRE-NO SHEATH CU;TCWA,300V,52mm(TAPING)	4	EY804	AA60-40011A	K EYELET;ID2.0,OD2.8,BST
4	PCB	AA41-00548B	PCB-POWER;TF21B5S,FR-1,1L,A,1.6T,245X245	4	EY805	AA60-40011A	K EYELET;ID2.0,OD2.8,BST
4	EY811	AA60-40011A	K EYELET;ID2.0,OD2.8,BST	4	EY806	AA60-40011A	K EYELET;ID2.0,OD2.8,BST
4	EY812	AA60-40011A	K EYELET;ID2.0,OD2.8,BST	4	GTM801	AA60-40014A	PIN-GT,ASSY-AUTO
4	EY813	AA60-40011A	K EYELET;ID2.0,OD2.8,BST	4	GTM802	AA60-40014A	PIN-GT,ASSY-AUTO
4	EY814	AA60-40011A	K EYELET;ID2.0,OD2.8,BST	2	AA96-01127B	ASSY POWER CORD;DP,AA39-10001M,CP2,H/C40	
4	EY815	AA60-40011A	K EYELET;ID2.0,OD2.8,BST	3	AA39-10001M	CBF POWER CORD;- ,KJP-140,KLCE-2F,2.4m,HO	
4	EY802	AA60-40011A	K EYELET;ID2.0,OD2.8,BST	3	AA61-20284A	HOLDER;P-CORD,PP,-,-,BLK,VO,KE-002	
4	EY803	AA60-40011A	K EYELET;ID2.0,OD2.8,BST	2	AA64-03106A	DOOR-HOUSING-14P1DF,20P1DF(SEH),ABS HB,B	
4	EY804	AA60-40011A	K EYELET;ID2.0,OD2.8,BST	2	AA61-00050A	SPRING ETC-DOOR-TVCR SVI,SUS304,-,-,-,-,	
4	EY805	AA60-40011A	K EYELET;ID2.0,OD2.8,BST	2	AA90-00947A	ASSY-FULL DECK;2HD,SVTS-M2P/XEC	
4	EY806	AA60-40011A	K EYELET;ID2.0,OD2.8,BST	3	AA91-00741A	ASSY-DECK;-;SCORPIO TOSHIBA	

Electrical Parts List

Loc. No.	Code No.	Description ; Specification	Remark	Loc. No.	Code No.	Description ; Specification	Remark
3	AA91-00744A	ASSY-DRUM;:2HD,NON-DLC,SCORPIO		2	HA68-02607A	LABEL-RATING:BACK,ITA,TVCR	
3	AA91-00782A	ASSY-S-IMP ROLLER;:PAL 2HD SESA,TF14N53,					
3	6006-001092	SCREW-ASS'Y MACH;:WS,PH,+,M3.0,L6.0,ZPC(Y					
2	AA90-02598A	ASSY COVER MISC-FRAME;:SEH TVCR,STYX C17A					
3	DE+FD 6003-001268	SCREW-TAPTITE;:TH,+,B,M4.0,L12.0,ZPC(YEL)					
3	PW+FD 6003-001268	SCREW-TAPTITE;:TH,+,B,M4.0,L12.0,ZPC(YEL)					
3	FD+BF 6003-001023	SCREW-TAPTITE;:RWH,+,B,M3,L10,ZPC(YEL),SW					
3	AA61-00862A	FRAME-DECK-S-PJT,HIPS V0,BLK,ONE-BOARD					
3	AA61-01214A	BRACKET-FRAME;:,SECC,T1.0					
3	AA63-00520A	SHIELD-BOTTOM;:20A5S,SPT,TO.3					
3	AA91-03961A	ASSY-SHIELD DRUM;:AA63-00521A+TAPE,20A5					
4	AA63-00521A	SHIELD-DRUM;:20A5S,SECC,TO.5					
2	AA65-30009A	CLAMPER CORE-FBT;:,ABS,V0,-,BLK,-					

**ASSY CPT**

1	AA91-05780A	ASSY CPT;:C17A,14,PHILIPS,A34EAC01X06	
2	LC801S AA27-00241A	COIL DEGAUSSING;:-CPT TV 14INCH,-,10%,55	
2	AA03-10023X	CRT COLOR;:A34EAC01X06,+380mG,2.5mH,27.5m	
2	AA98-70032A	ASSY TBC WIRE(P);:DP,14,AA98-70014A,1P,TV	
2	AA39-20518A	LEAD CONNECTOR-ASSY;:,6(4)P,YFH806-06,350	

**ASSY COVER REAR**

1	AA90-03912A	ASSY COVER REAR;:TX14P1DF4X/XEC	
2	AA64-02324D	CABINET-BACK;:14P1,HIPS,FV2,G4309	
2	AA65-30008A	CLAMPER CORE-CORD;:-,PE,HB,-,BLK,-	

**ASSY COVER FRONT**

1	AA90-04162A	ASSY COVER FRONT;:TX14P1DF4X/XEC,C17A	
2	CRT+CF AA60-100500	SCREW-ASSY;:-,SWRCH18A,M5,L26.5,HH,+,WC,-	
2	CB+CF 6002-000515	SCREW-TAPPING;:RH,+,2,M4,L15,ZPC(WHT),SWR	
2	AA65-30106A	CLAMPER CORE-D,COIL;:14 INCH,NYLON 66,V2,	
2	AA96-01027A	ASSY COVER P-FRONT;:14P1,HB,SV-012P	
3	HA83-00049A	LP-ADHESIVE-HM;:12MM,NTR	
3	KF+CF 6003-001019	SCREW-TAPTITE;:RH,+,B,M4,L12,ZPC(BLK),SWR	
3	WIN+CF 6003-001019	SCREW-TAPTITE;:RH,+,B,M4,L12,ZPC(BLK),SWR	
3	SPK+CF 6003-001023	SCREW-TAPTITE;:RWH,+,B,M3,L10,ZPC(YEL),SW	
3	AA61-60003J	SPRING ETC-CS;:-,SUS304,-,OD6,N7,OD6,-,	
3	AA64-02325H	KNOB-POWER;:14.20P1 SEH,ABS,HB,G3676,SV01	
3	AA64-02326H	KNOB-FAMILY;:14.20P1 SEH,ABS,HB,G3676,SV0	
3	AA64-02328A	WINDOW-LED;:14.20P1,PC,CLR	
3	AA64-02329A	DECORATION-POWER;:14P1,PC,HB,SEMI-VIOLET	
3	AA64-03103A	CABINET-FRONT;:14P1 SEH,HIPS,HB,G7666,SV0	
4	0201-001031	ADHESIVE-STR;:AS-141-3B,-,0.85-1.05,-	
4	AA61-40010A	BOSS-WING;:-,HIPS,-,-,NTR,HB	
5	HA83-00006A	LP-RESIN HIPS;:,BAS495F,NTR,HB	
3	AA64-70127F	BADGE-BRAND;:NEW,AL,-,-,L40,R800,SILVER,S	
3	0203-001290	TAPE-OPP MASKING;:ANT 100C,TO.073,W30,L50	
3	3001-001186	SPEAKER;:3W,80HM,80°æ2DB,270HZ	
3	AA39-20501A	LEAD CONNECTOR-ASSY;:,3(2),67096-003,REC,	
2	AA65-30018A	CLAMPER CORE-WIRE;:DONG-A,NYLON-66,-,-,-,	
2	HA68-02177B	LABEL-POS;:ALL,30MM,65MM,WHITE,AA68-02177	
2	CF+KP 6003-001023	SCREW-TAPTITE;:RWH,+,B,M3,L10,ZPC(YEL),SW	

**ASSY ACCESSORY**

1	AA92-06477A	ASSY ACCESSORY;:TX14N3DF4X/XET	
2	AA59-00221B	REMOCON;:,TM66,SA5554PS,43,G6671B,S/S,	
2	4301-000121	BATTERY-MN;:1.5V,-,AAA,10.5x44.5m,HOLDER	
2	HA69-00276A	BAG VINYL;:HDPE,TO.025,L400,W240,-,W/O LO	
2	AA26-90001C	TRANS MATCHING;:-,300ohm/75ohm,PAL,40-890	
2	AA42-00003A	ANT ROD;:-,3S,720mm,ABS,UL/CSA,-	
2	HA68-00336B	CARD-WARRANTY;:A/P100(G),A5,NEW VERSION,I	
2	AA68-50056Z	LABEL-WARNING;:A/P120(S),TO.2,-,-,BLK,-,T	



---

## 8. Block Diagrams

---

### 8-1 Notes

---

The TVCR's 1st and 2nd tuners are "multi-system." compatible:  
IC201S (TDA9361/9381) is the video, chroma, and deflection (UOC) IC .

#### 8-1-1 TAPE PLAYBACK (REGARDLESS OF ORIGINAL RECORDING SYSTEM)

If the output PB signal of micom pin 12 is high, the PB signal outputs from ICM301 pin 29, passes through IC 702 pins 2 and 3 and out to another VCR . The output signal of IC701 pin 1 (pin 15) outputs from IC201S pin 42 .

#### 8-1-2 VIEWING NORMAL CHANNEL WHILE RECORDING A SCRAMBLED CHANNEL:

The output CVBS (Composite Video Signal) of the 2nd IF outputs to IC702 pin 3 when the VCRmicom's pin 13 (VCR tuner high) is high . The decoded signal goes to IC701 pin 2, where it is fed to IC 701 pin 9 (high output of VCR micom's' pin 11— AV/Tuner), and out to VCR pin 4 for recording.

#### 8-1-3 VIEWING A SCRAMBLED CHANNEL WHILE RECORDING AN UNSCRAMBLED CHANNEL.

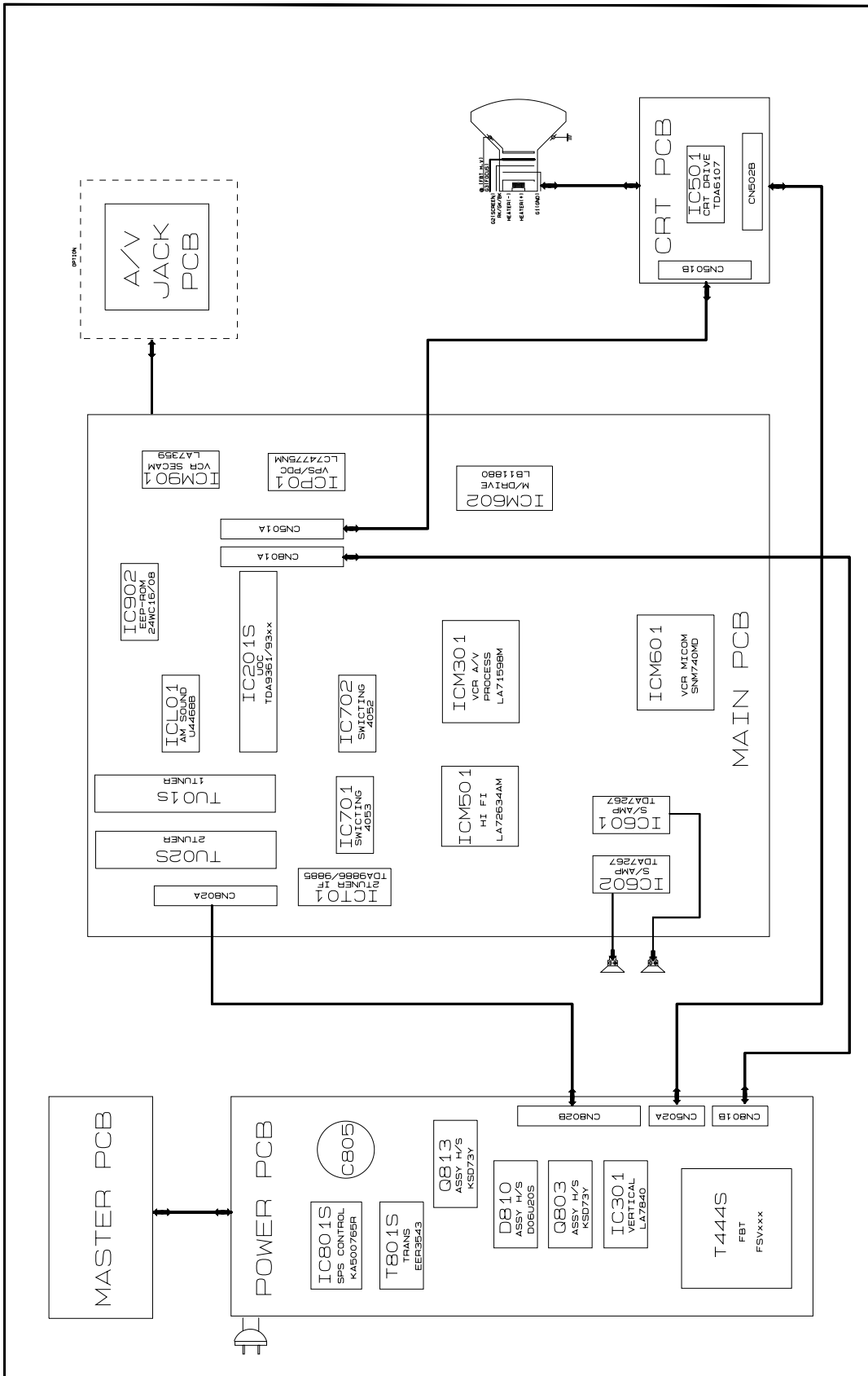
The output CVBS of the 2nd IF is fed from IC701 pin 5 to IC701 pin 4 (low output of VCR micom pin 11—AV/tuner). Then it goes to the VCR PART pin 4 for recording.

The scrambled signal (CVBS) is fed to IC702 pin 1 through the 1st IF, and then to IC702 pin 3. Then it goes to the decoder input. The descrambled signal goes to IC701 pins 2 and 15, and then to IC201S pin 42, where it outputs as RGB.

#### 8-1-4 SYNCHRONOUS RECORDING:

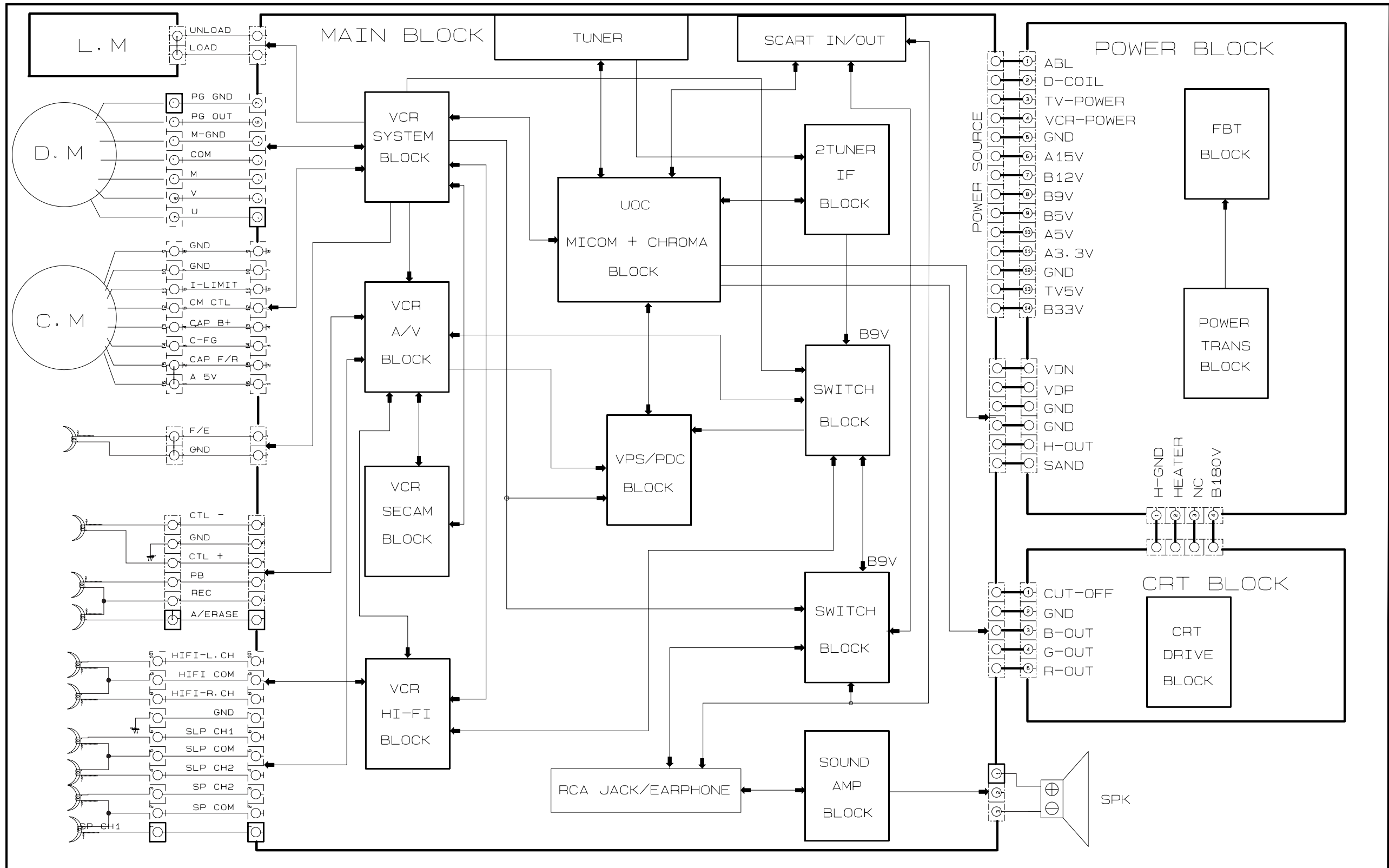
The viewer sees the signal from the 1st tuner , while the signal from the second tuner is recorded. Audio processing for the French system type is shown in the table.

## 8-2 C17A PCB Layout



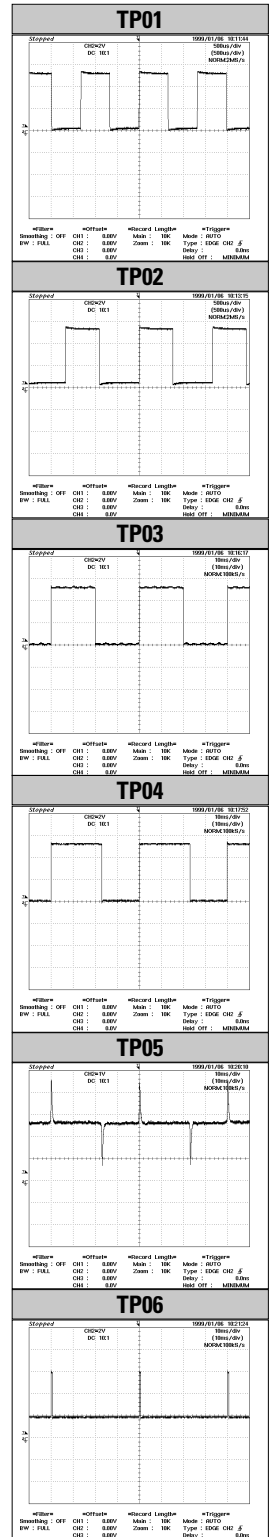
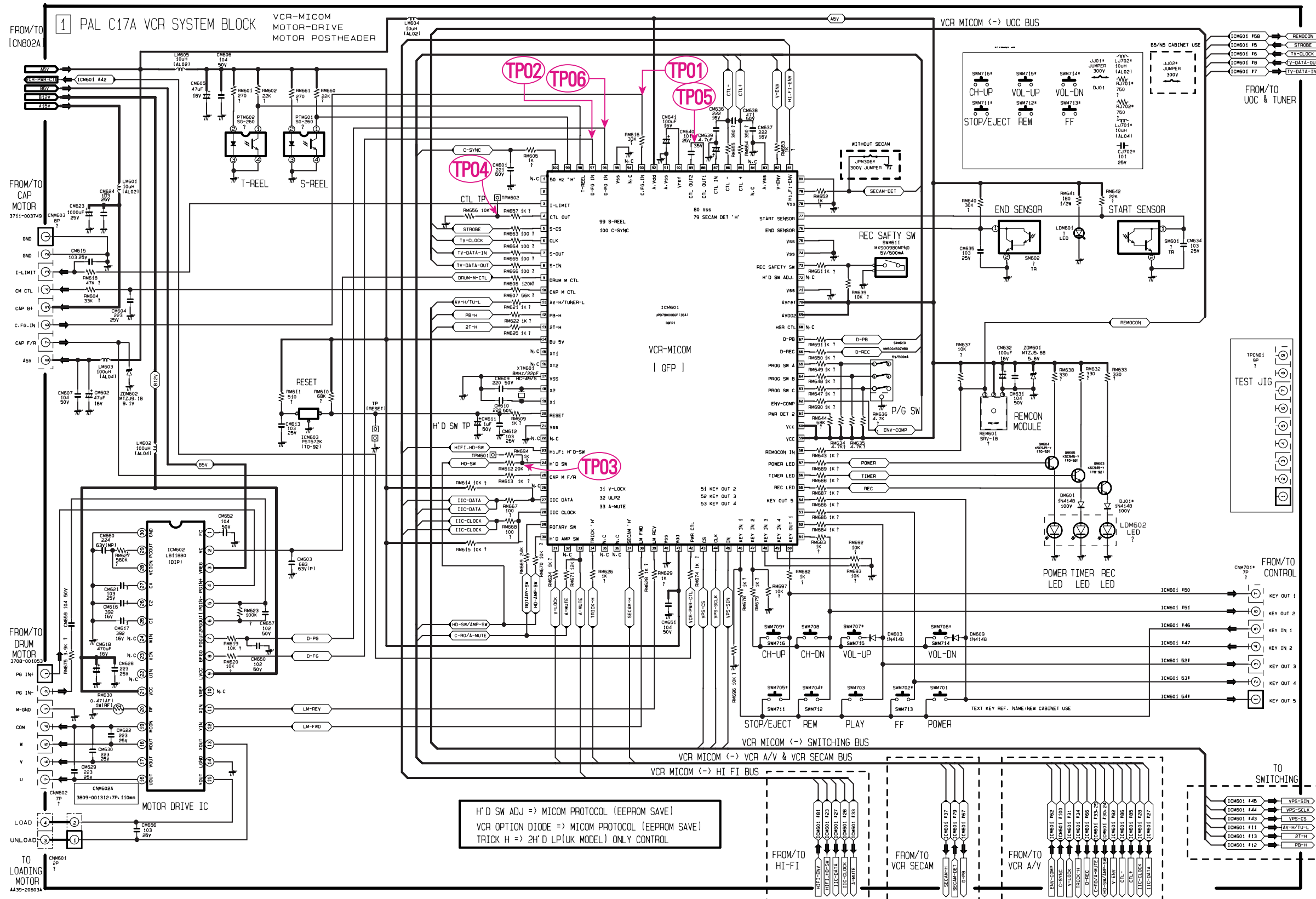
## 9. Wiring Diagram

### 9-1 C17A Wiring Diagram



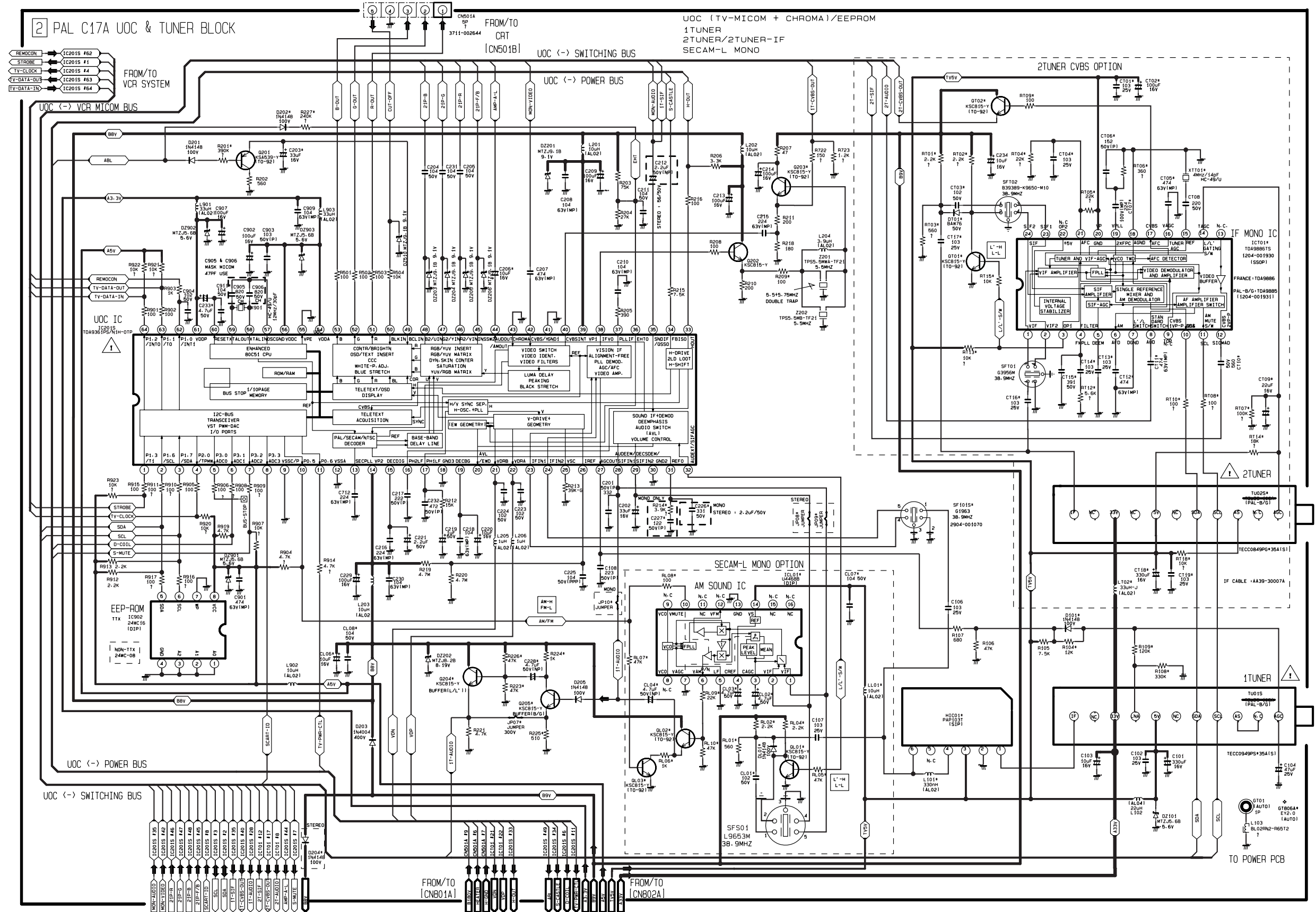
# 10. Schematic Diagrams

## 10-1 MAIN1 ( VCR SYSTEM BLOCK )



H'D SW ADJ => MICOM PROTOCOL (EEPROM SAVE)  
 VCR OPTION DIODE => MICOM PROTOCOL (EEPROM SAVE)  
 TRICK H => 2H'D LP(UK MODEL) ONLY CONTROL

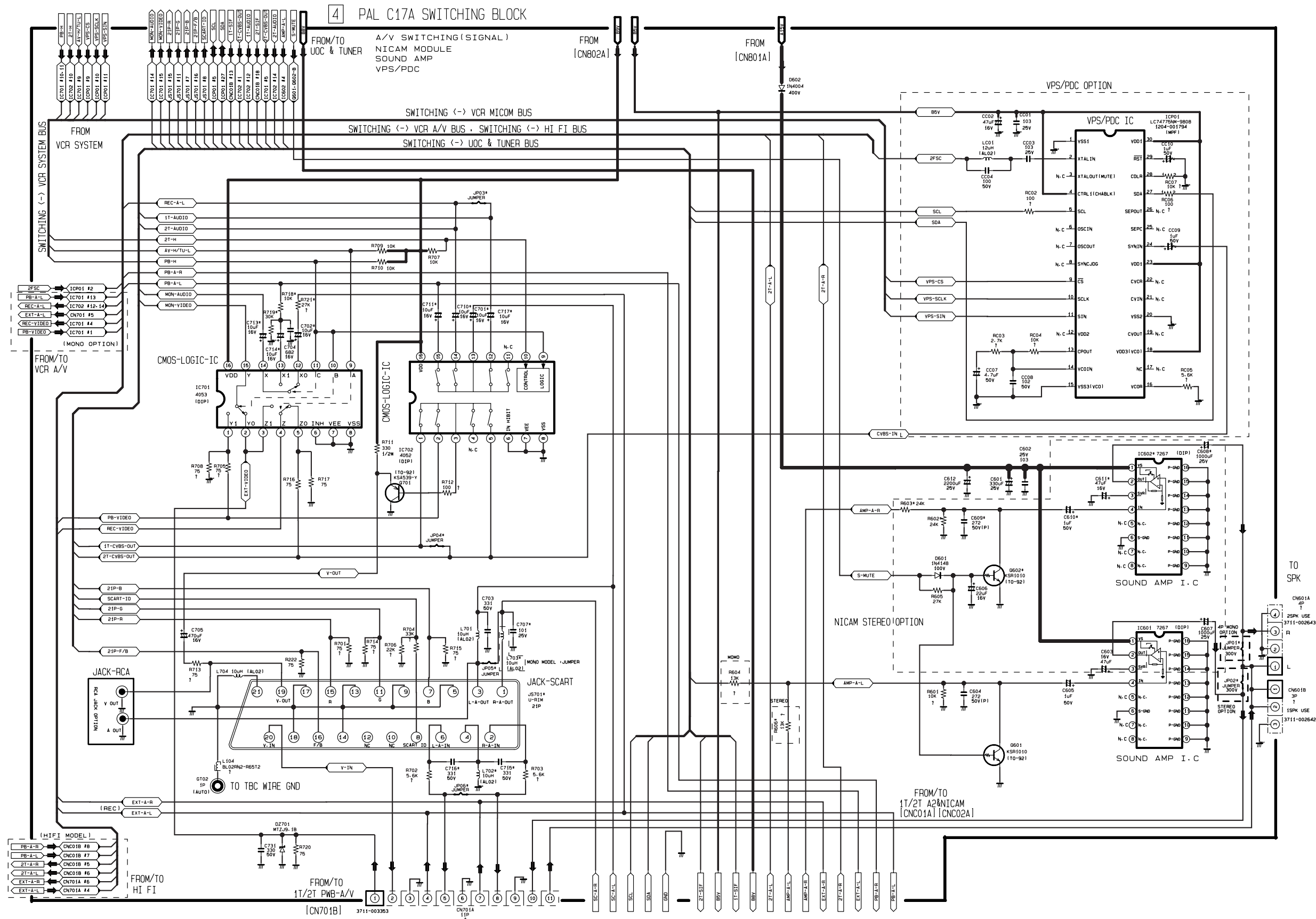
# 10-2 MAIN2 ( VOC & TUNER BOX)



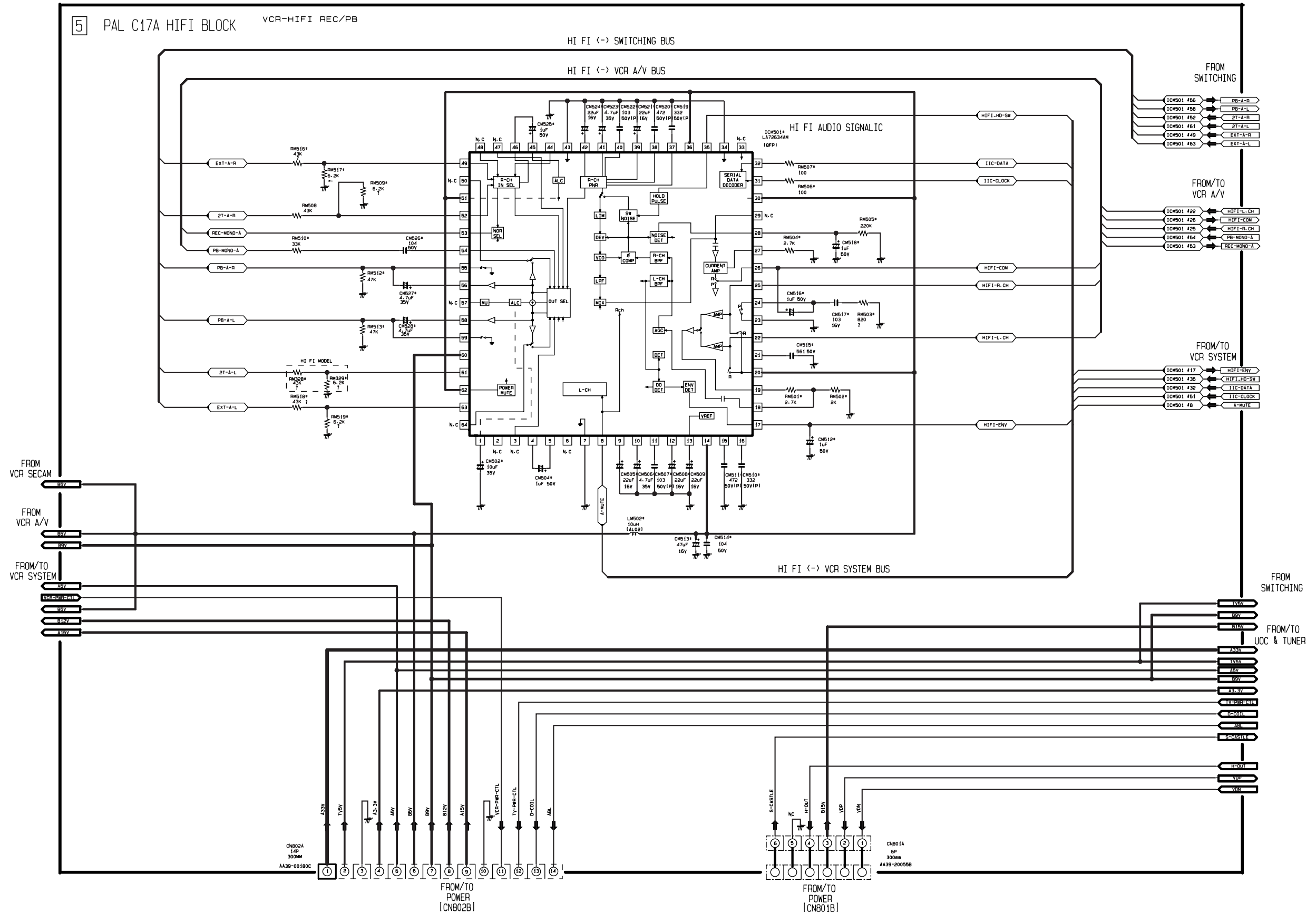




### 10-4 MAIN4 ( SWITCHING BLOCK)

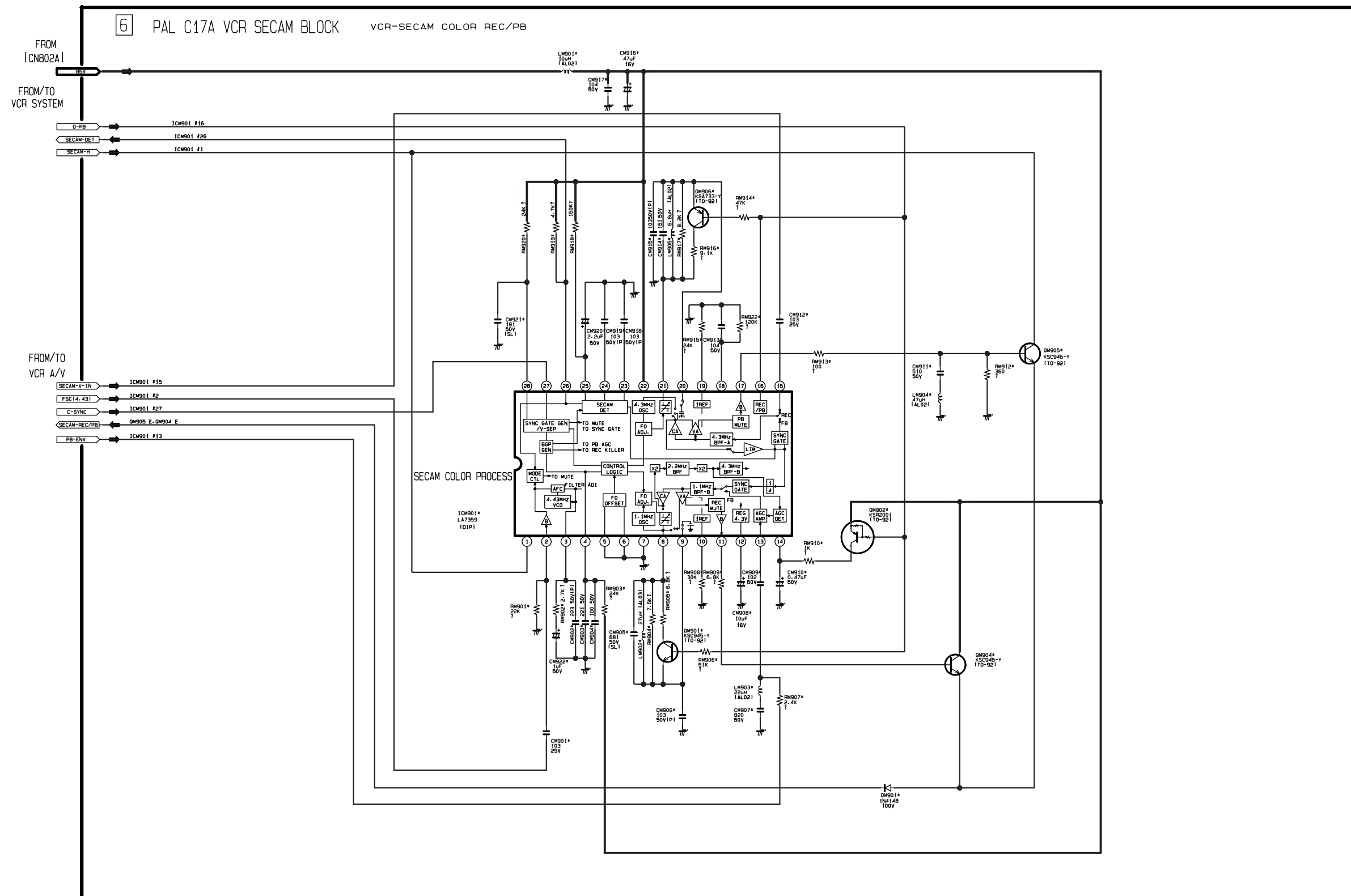


10-5 MAIN5( OPTION-PAL HIFI BLOCK )

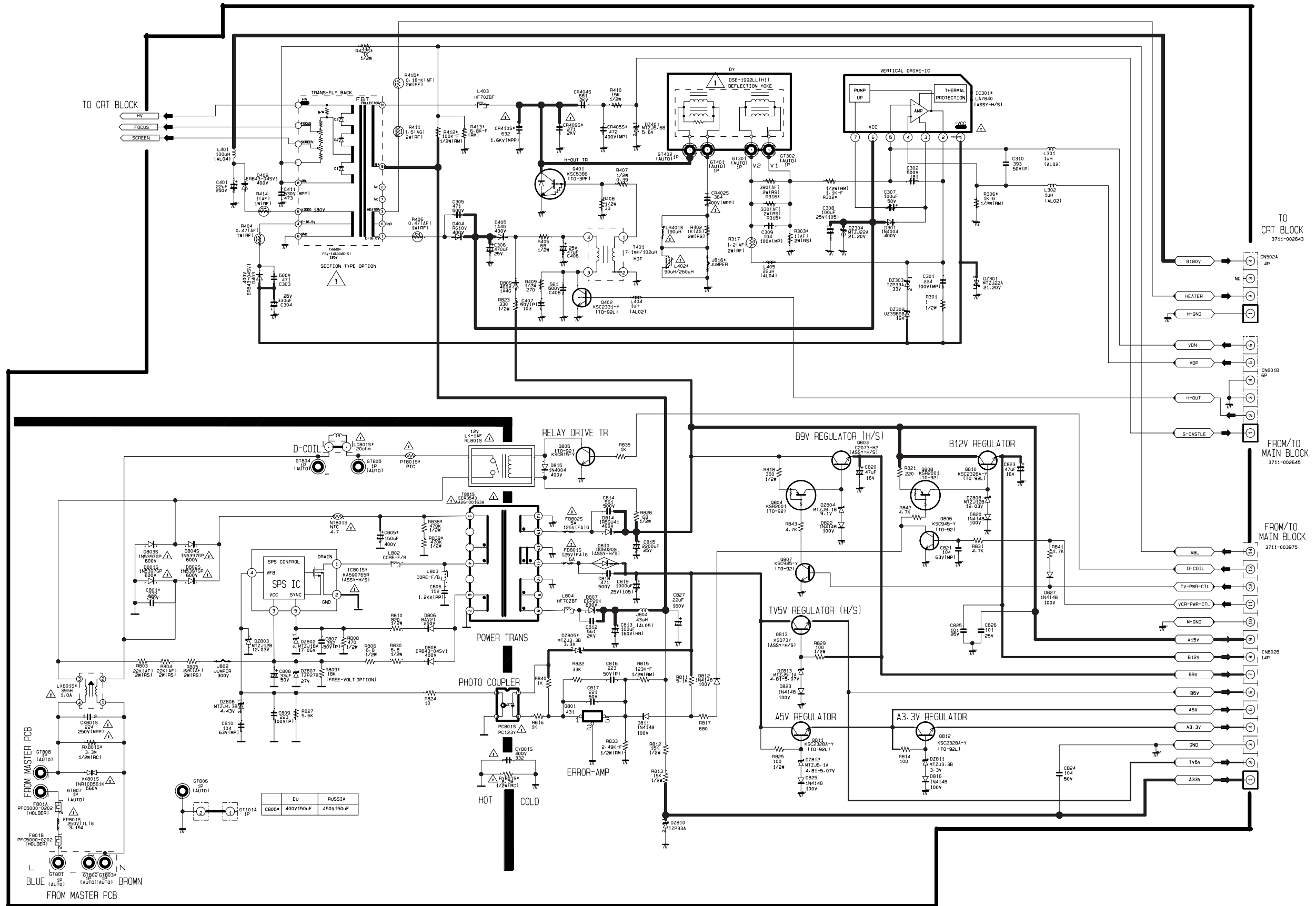




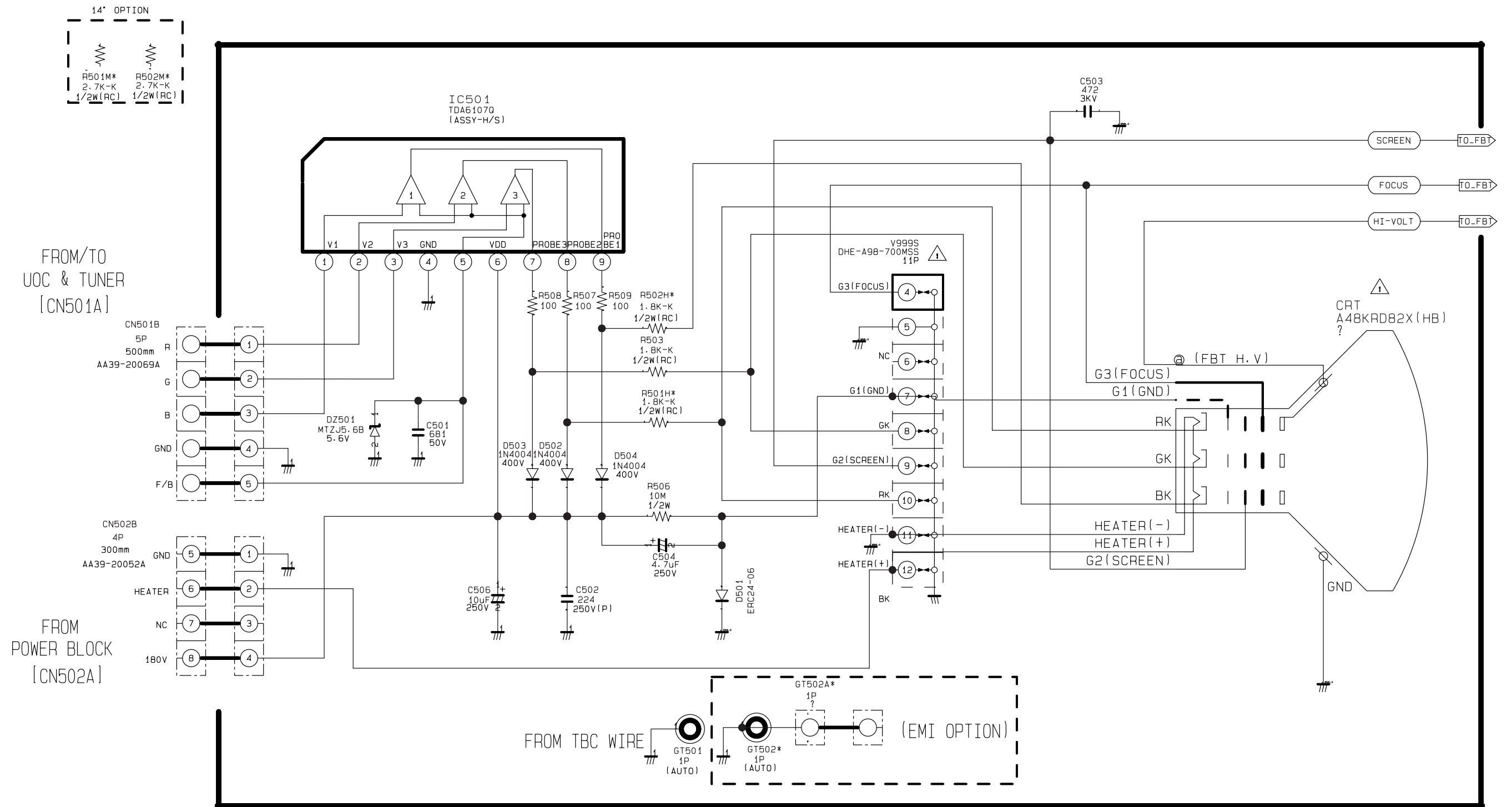
# 10-6 MAIN6 ( OPTION-VCR SECAM BLOCK )



10-7 POWER & FBT

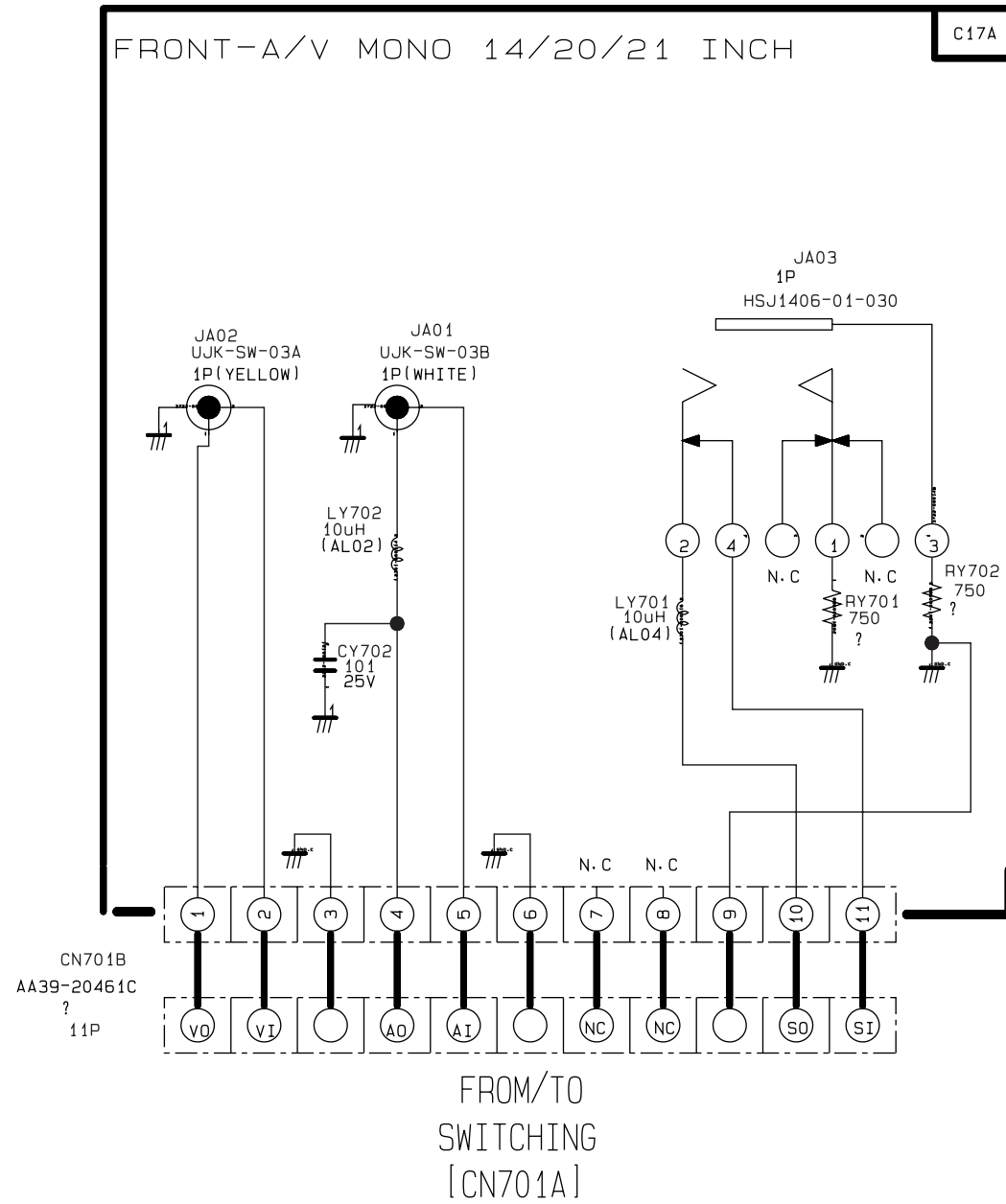


10-8 CRT



10-9 FRONT A/V, MASTER SW

FRONT A/V



MASTER SW

