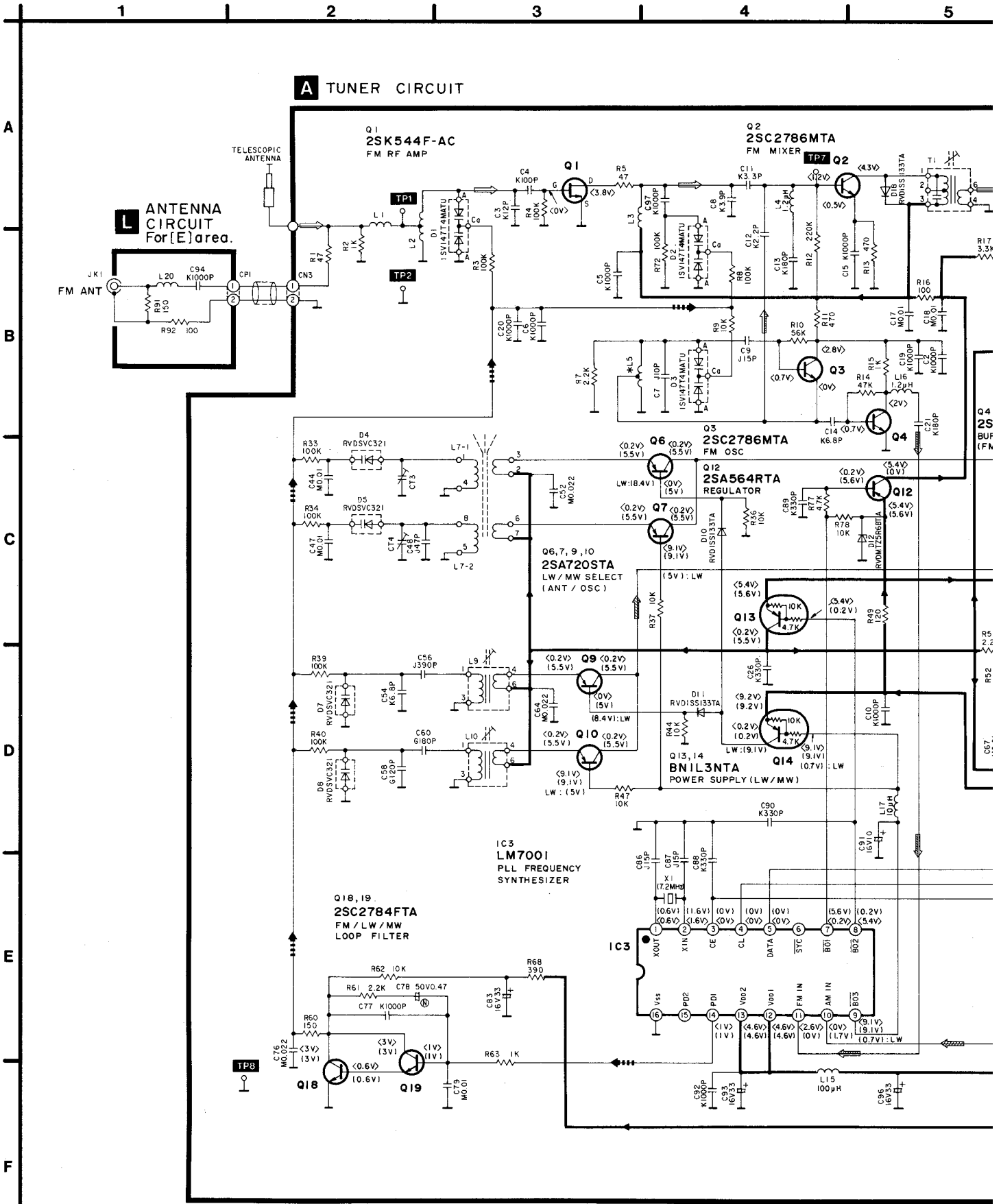


■ SCHEMATIC DIAGRAM • TUNER AND CD CIRCUIT (Parts list on pages 63~70.)



➡ : CD Signal Line

➡ : FM Signal Line

➡ : FM OSC Signal Line

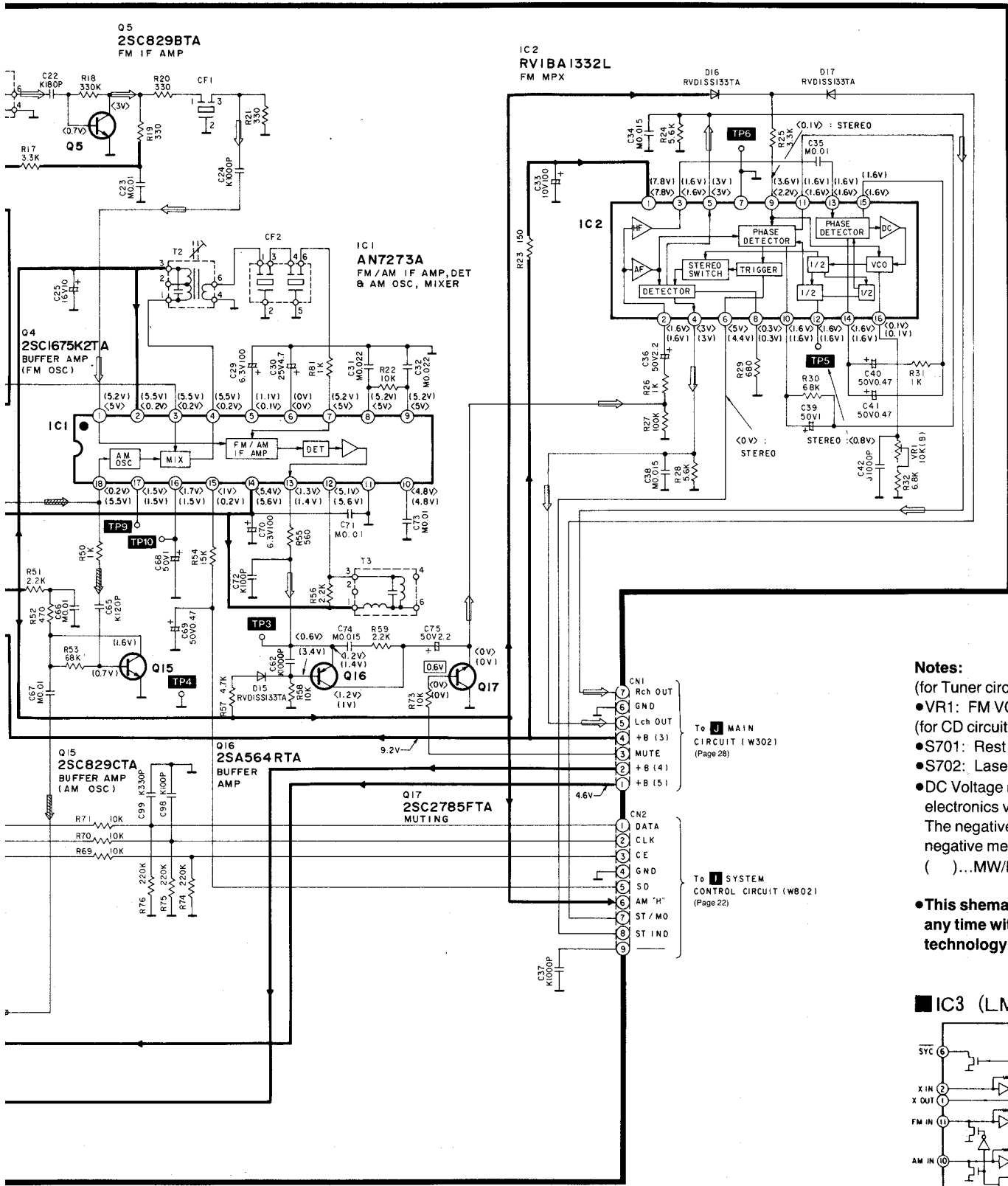
6

7

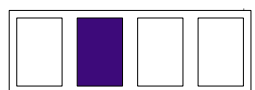
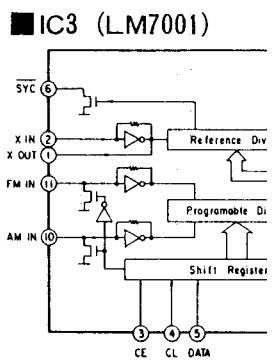
8

9

10



- Notes:**
 (for Tuner circuit)
 ●VR1: FM VCO adjustment (for CD circuit)
 ●S701: Rest switch.
 ●S702: Laser ON/OFF swit
 ●DC Voltage measurement: electronics voltmeter. The negative terminal of the negative meter connection ()...MW/LW <
- This schematic diagram n any time with the develop technology.



▬▬▬▬ : LW/MW OSC Signal Line

■ ■ ■ ■ : FM/LW/MW Vcap Control Signal Line

10

11

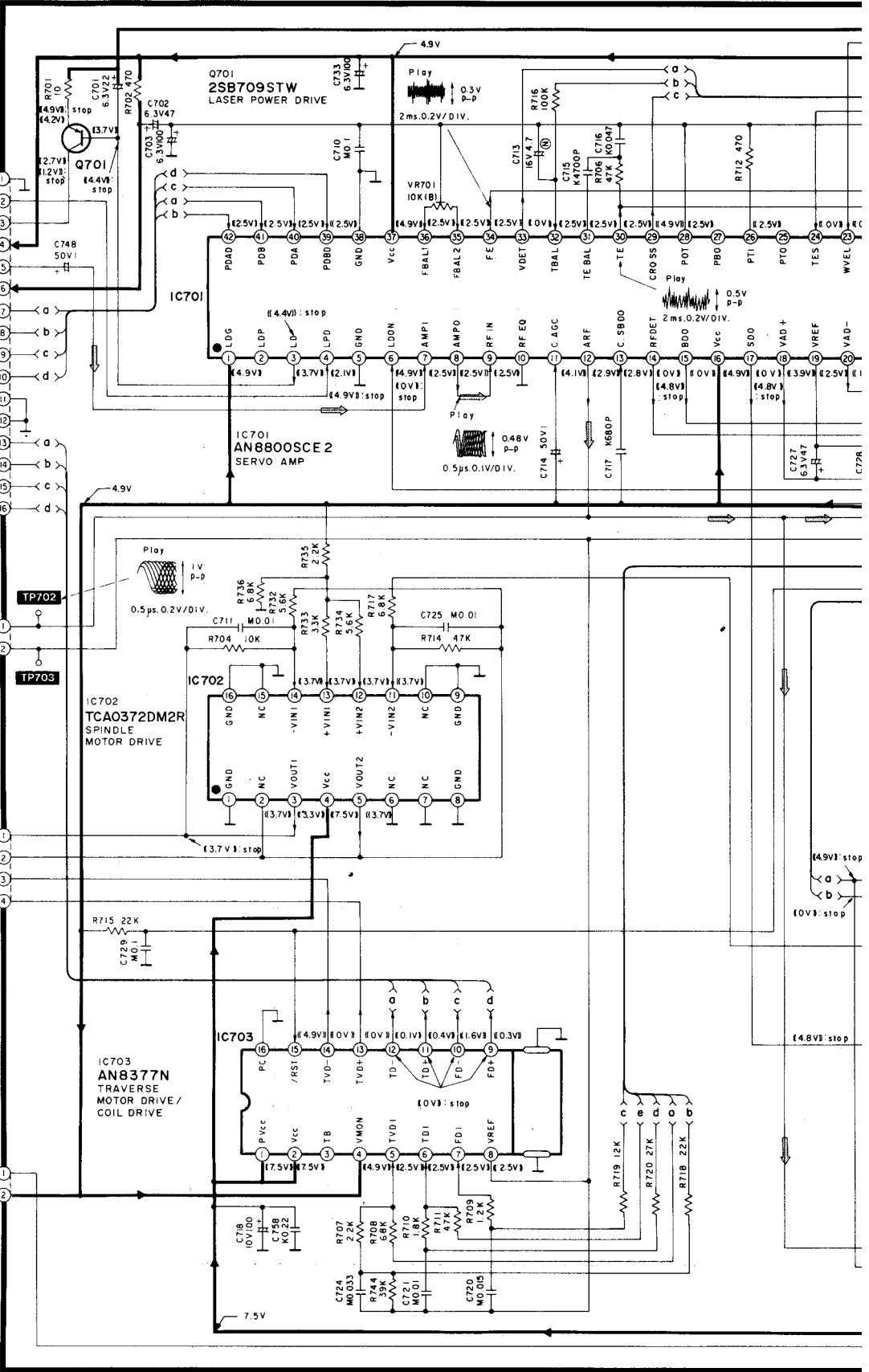
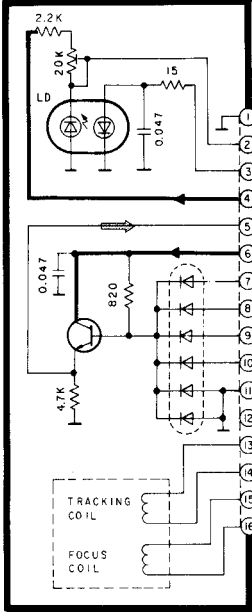
12

13

14

B CD CIRCUIT

OPTICAL PICKUP CIRCUIT



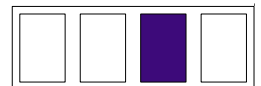
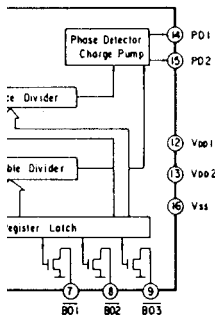
nent VR.

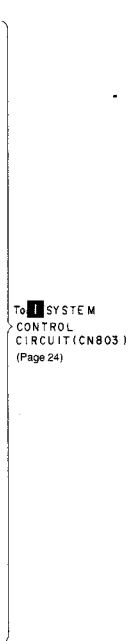
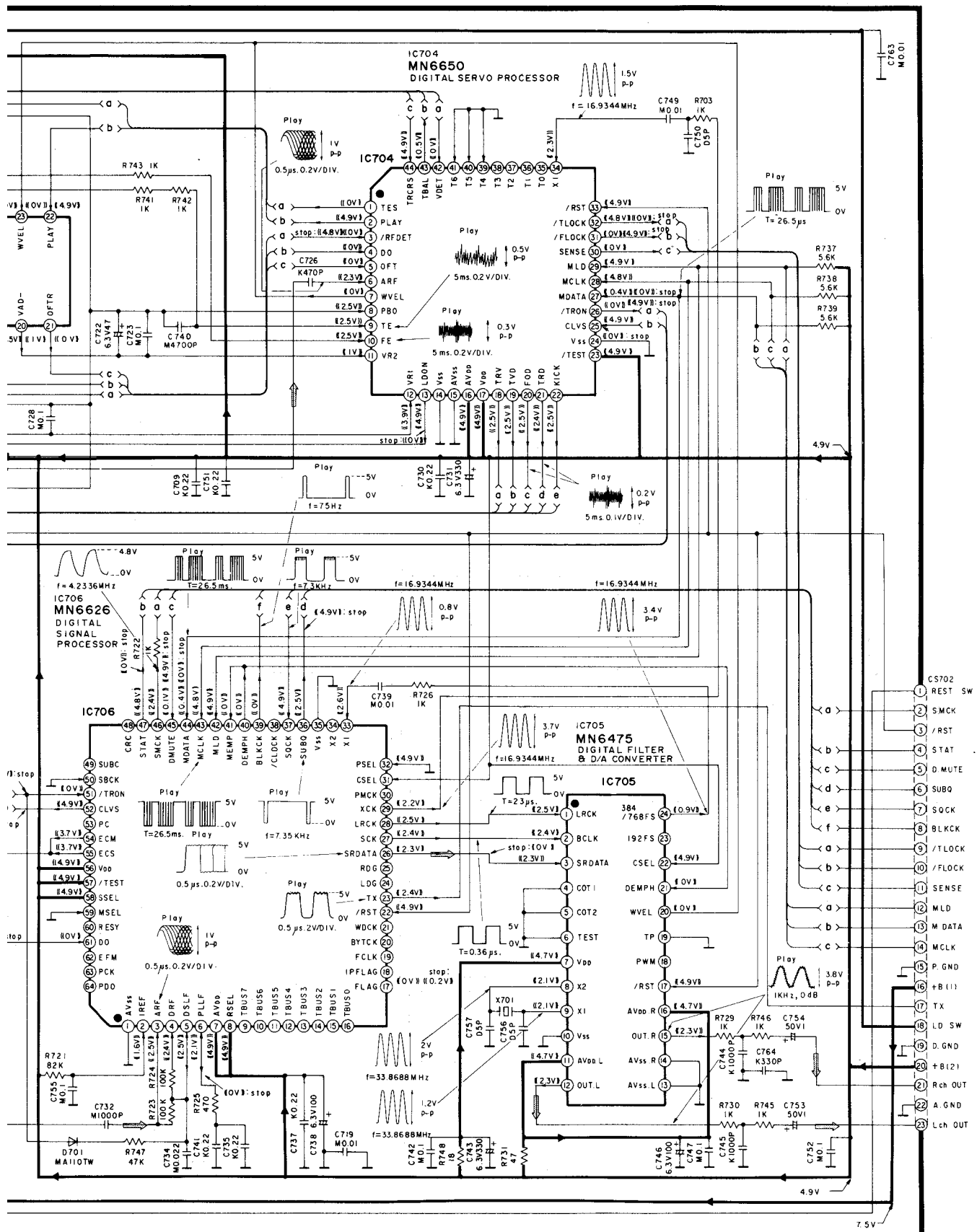
switch.
ents are taken with

of the battery provides
ation point.

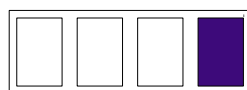
>...FM (())...CD

m may be modified at
elopement of new





7.5V

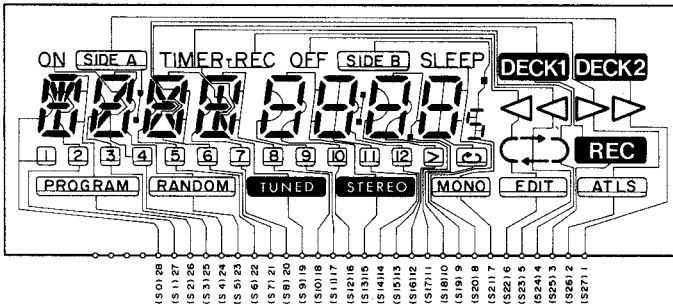


SCHEMATIC DIAGRAM • VOLUME, GRAPHIC EQUALIZER, DECK OPERATION AND SY

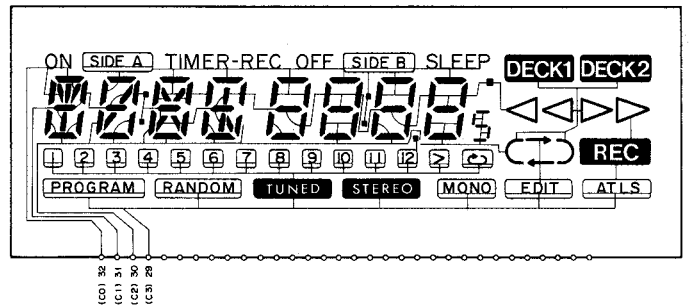
1 2 3 4 5

Z802 (RSL5041-L)

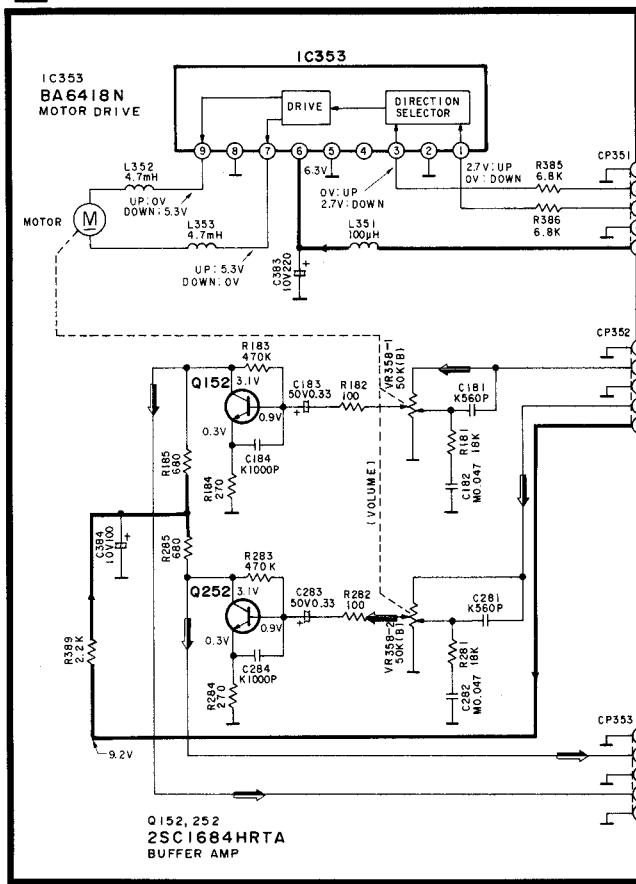
• SEGMENT



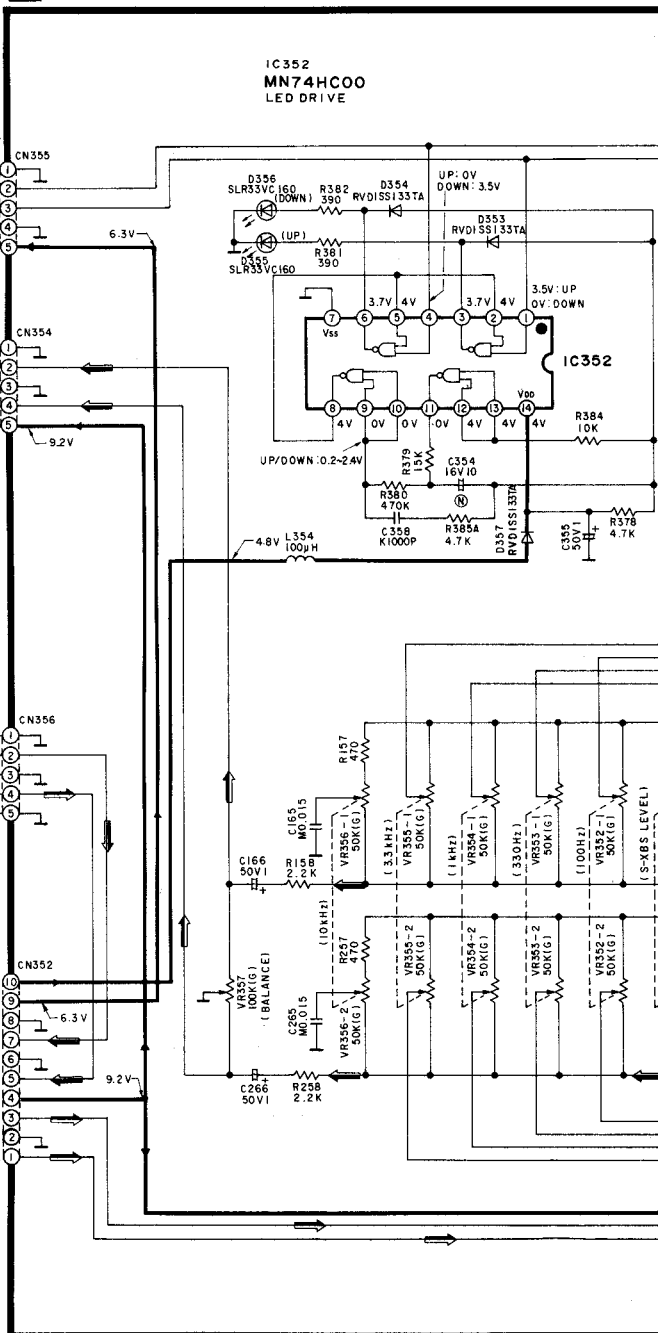
• COMMON



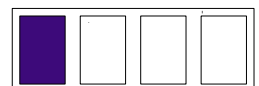
F VOLUME CIRCUIT



G G.EQUALIZER CIRCUIT



To MAIN CIRCUIT (CP301) (Page 28)



SYSTEM CONTROL CIRCUIT (Parts list on pages 63~70.)

6

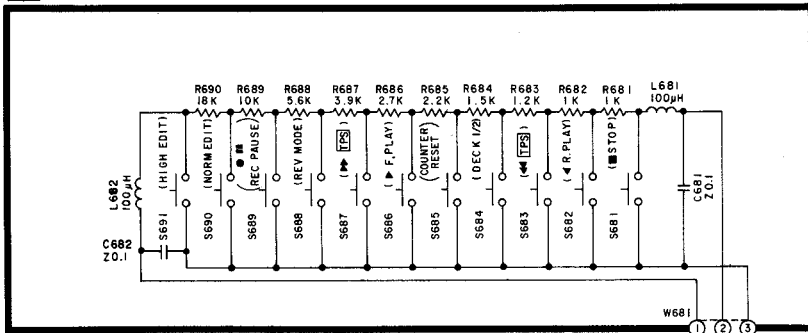
7

8

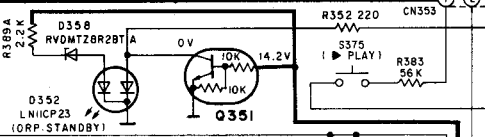
9

10

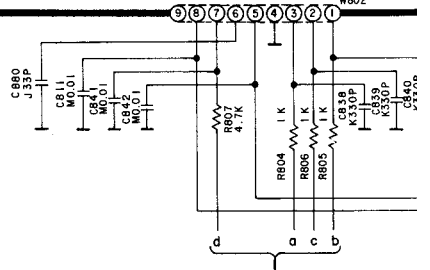
H DECK OPERATION CIRCUIT



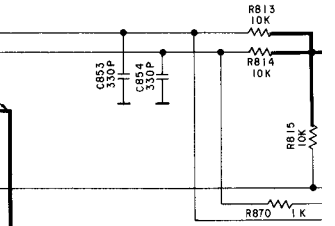
Q351 RVTDTCH4EST LED DRIVE



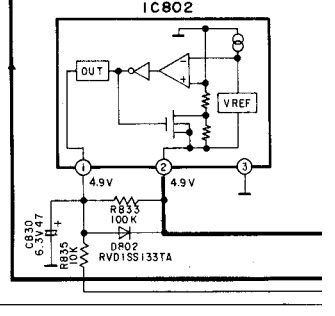
To A TUNER CIRCUIT (CN2) (Page 18)



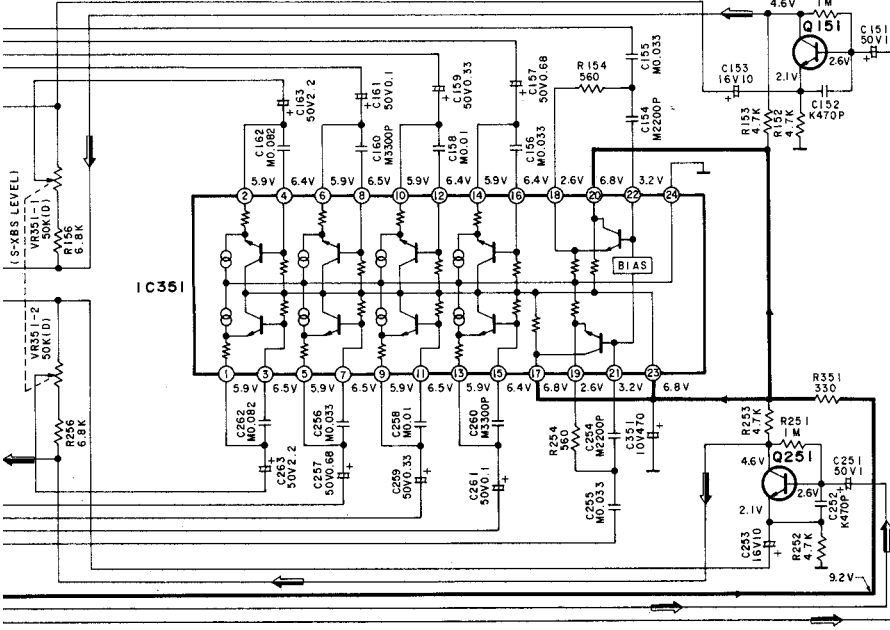
IC802 S8053HNB-T RESET SIGNAL GENERATOR



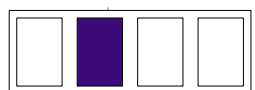
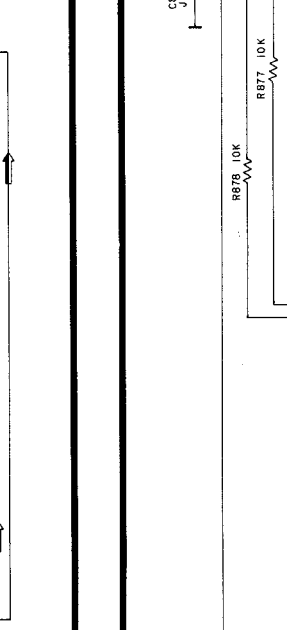
O802 2SC1740SSTA SIGNAL DET.



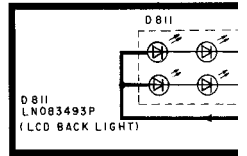
IC351 BA3822LS EQUALIZER AMP



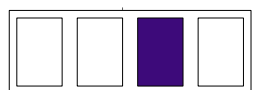
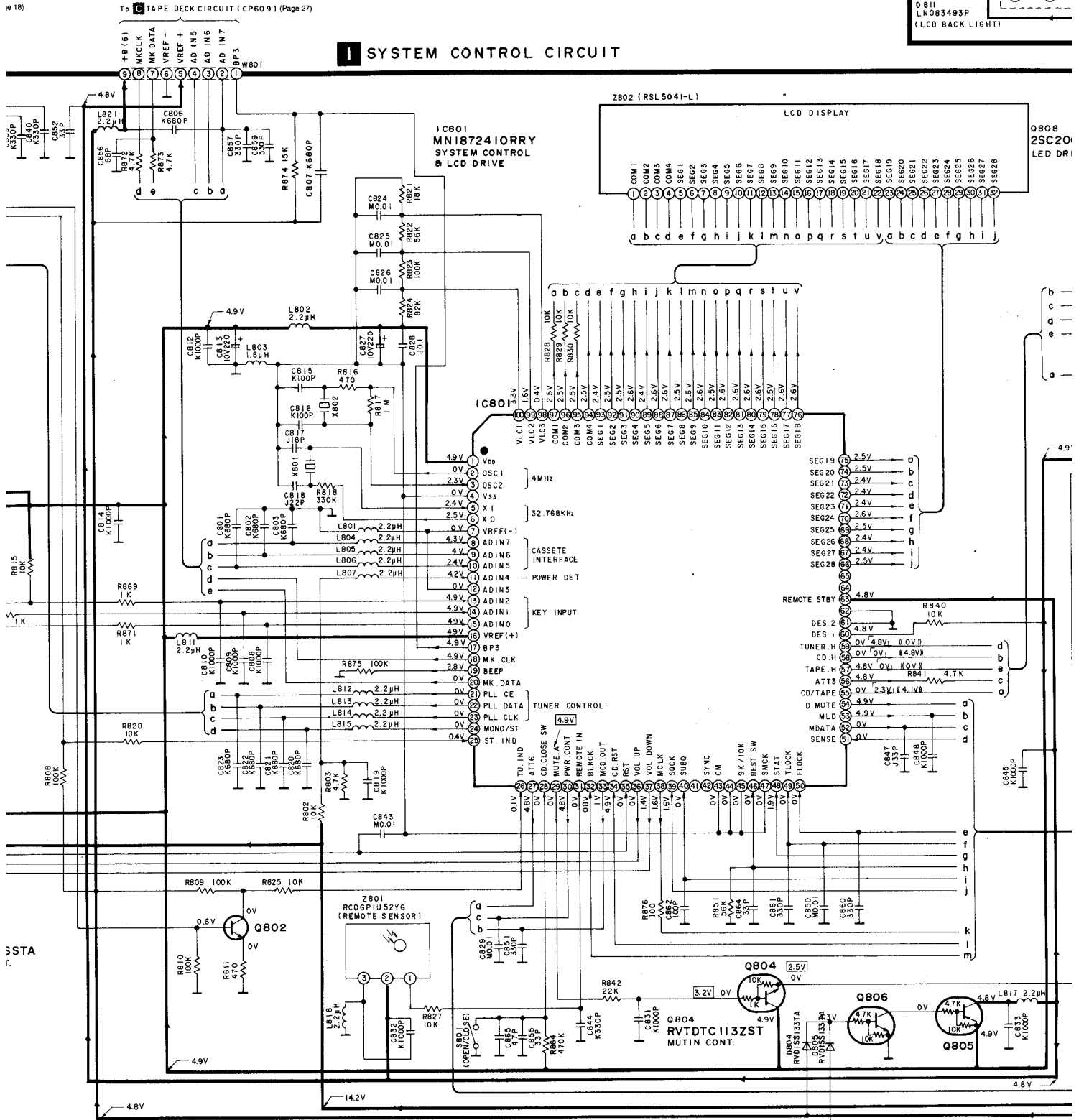
Q151, 251 2SC1684 HRTA BUFFER AMP

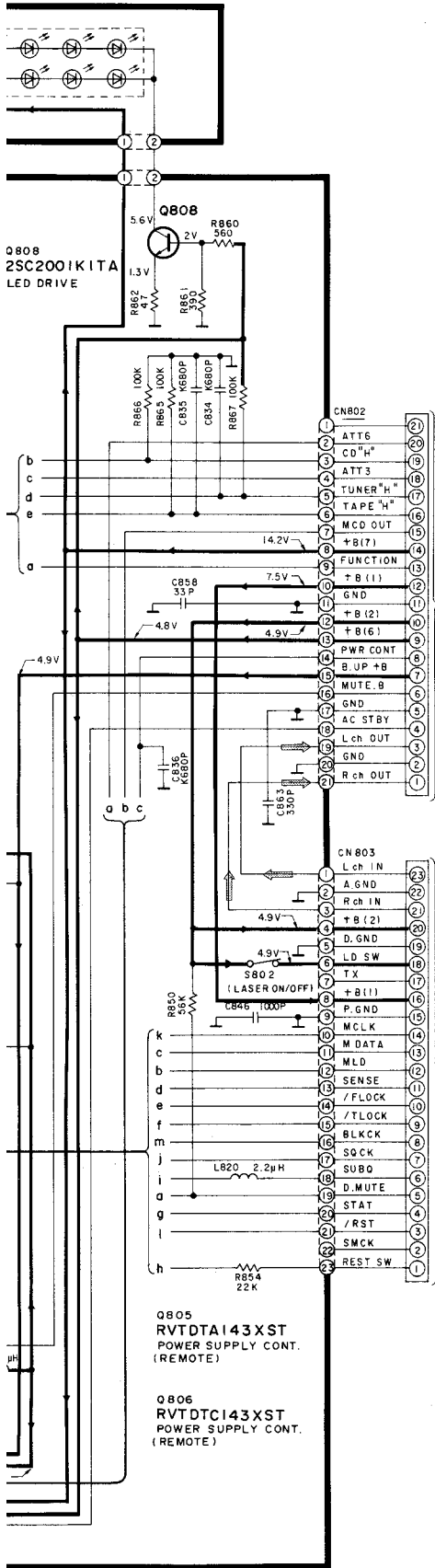


LED BLOCK



SYSTEM CONTROL CIRCUIT





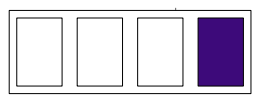
Notes:

- S351 : Power switch. (POWER)
- S352 : Function select switch. (TAPE)
- S353 : Function select switch. (TUNER)
- S354 : Function select switch. (CD)
- S356 : Time set and tuning switch. (TIME SET/TUNING +)
- S357 : Timer recording switch. (TIMER-REC)
- S358 : Sleep switch. (SLEEP)
- S359 : Timer play switch. (PLAY-TIMER)
- S360 : Time set and tuning switch. (TIME SET/TUNING -)
- S361 : Timer check switch. (TIMER CHECK)
- S362 : Time adjust switch. (TIME ADJUST)
- S363 : CD stop switch. (STOP)
- S364 : CD pause switch. (PAUSE)
- S365 : FM mode and beat proof switch. (FM MODE/B.P.)
- S366 : Edit recording select switch. (EDIT MODE)
- S367 : Skip/Search switch. (▶▶▶▶)
- S368 : Preset tuning switch. (▲)
- S369 : Tuning memory switch. (TUNING MEMORY)
- S370 : Skip/Search switch (◀◀/▶▶)
- S371 : Tape length switch. (TAPE LENGTH)
- S372 : Preset tuning switch. (▼)
- S373 : ATLS switch. (ATLS)
- S374 : Set switch. (SET)
- S375 : CD play switch. (PLAY)
- S681 : Deck stop switch. (STOP)
- S682 : Reverse side playback switch. (REV)
- S683 : Fast wind switch. (◀◀ [TPS])
- S684 : Deck select switch. (DECK 1/2)
- S685 : Counter reset switch. (COUNTER RESET)
- S686 : Forward side playback switch. (FWD)
- S687 : Fast wind switch. ([TPS] ▶▶)
- S688 : Reverse mode select switch. (REVERSE MODE)
- S689 : Rec pause switch. (REC PAUSE)
- S690 : One touch edit switch. (NORMAL)
- S691 : One touch edit switch. (HIGH)
- S801 : CD cover open/close detect switch.
- VR351-1, VR351-2 : S-XBS level control VR. (S-XBS LEVEL)
- VR352-1, VR352-2 : G.E.Q. level control VR. (100 Hz)
- VR353-1, VR353-2 : G.E.Q. level control VR. (330 Hz)
- VR354-1, VR354-2 : G.E.Q. level control VR. (1 kHz)
- VR355-1, VR355-2 : G.E.Q. level control VR. (3.3 kHz)
- VR356-1, VR356-2 : G.E.Q. level control VR. (10 kHz)
- VR357 : Balance control VR. (BALANCE)
- VR358-1, VR358-2 : Volume control VR. (VOLUME)

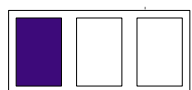
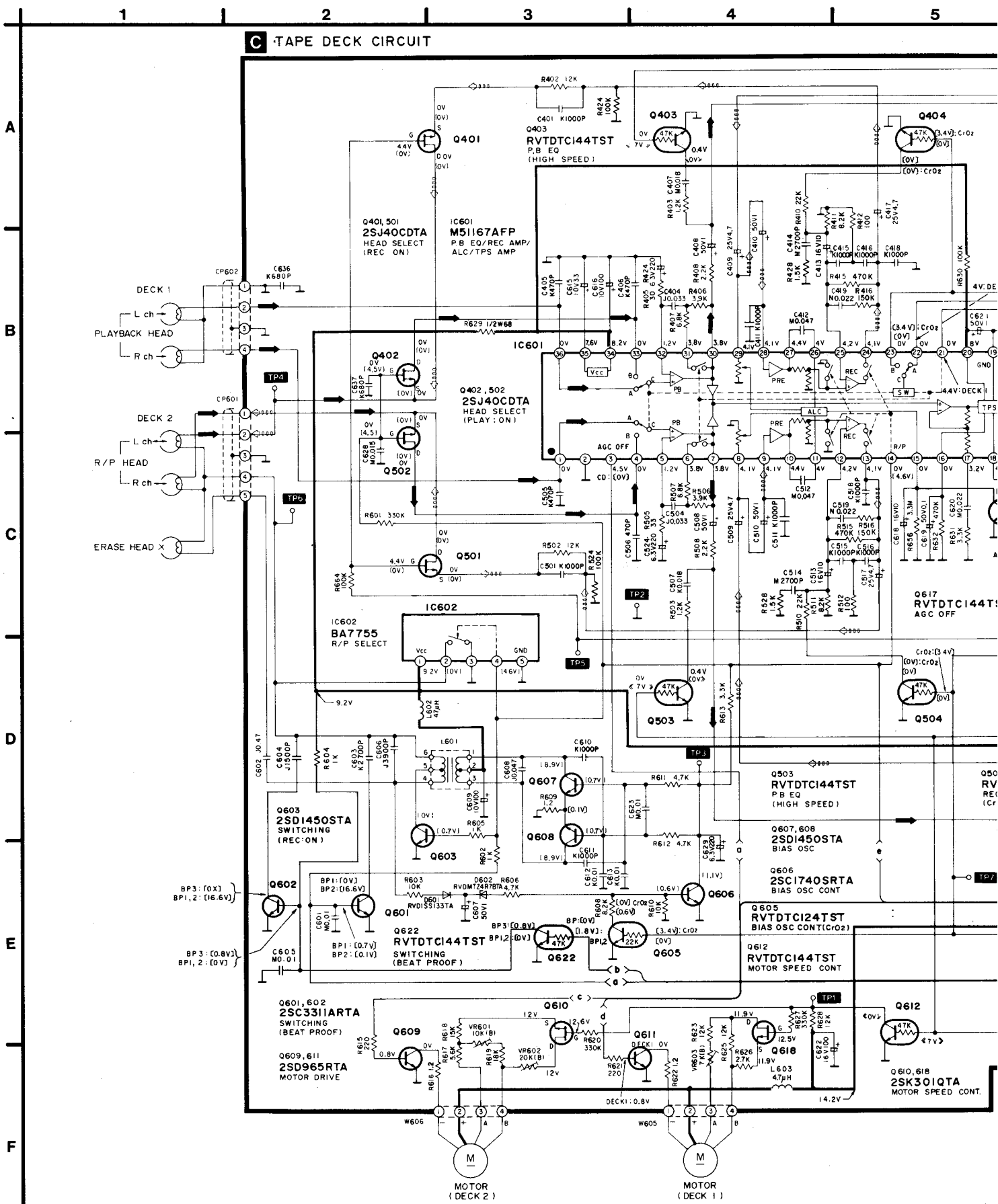
DC voltage measurements are taken with electronics voltmeter.
 The negative terminal of the battery provides negative meter connection point.
 No mark...TAPE PLAYBACK (DECK 2)
 ◻...MUTING

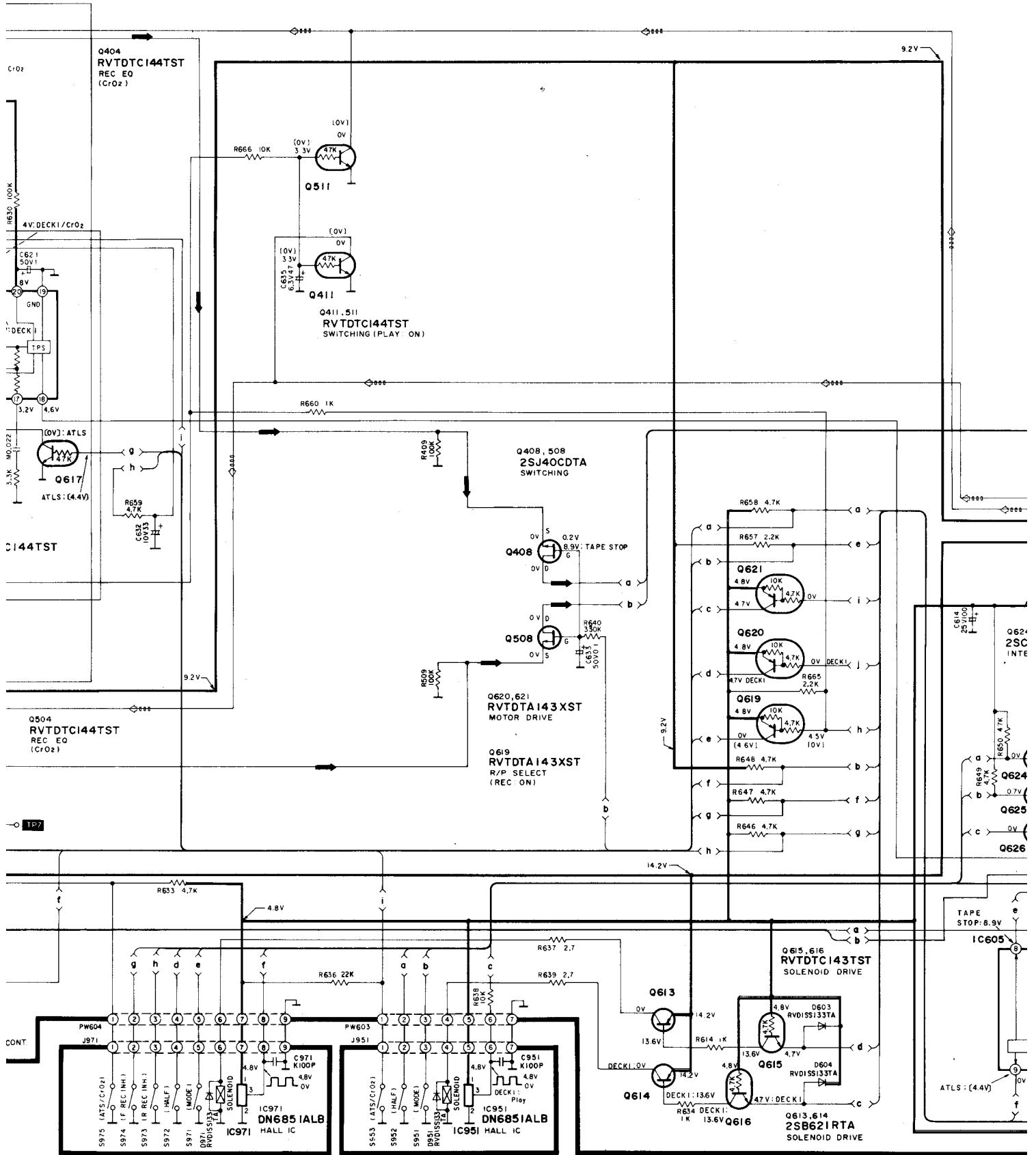
●This schematic diagram may be modified at any time with the development of new technology.

⇒ : AF Signal line → : +B Line



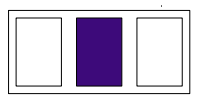
SCHEMATIC DIAGRAM • TAPE DECK AND MECHANISM CIRCUIT (Parts list pages 63~70.)





D MECHANISM (DECK2) CIRCUIT

E MECHANISM (DECK1) CIRCUIT



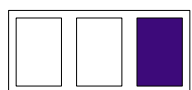
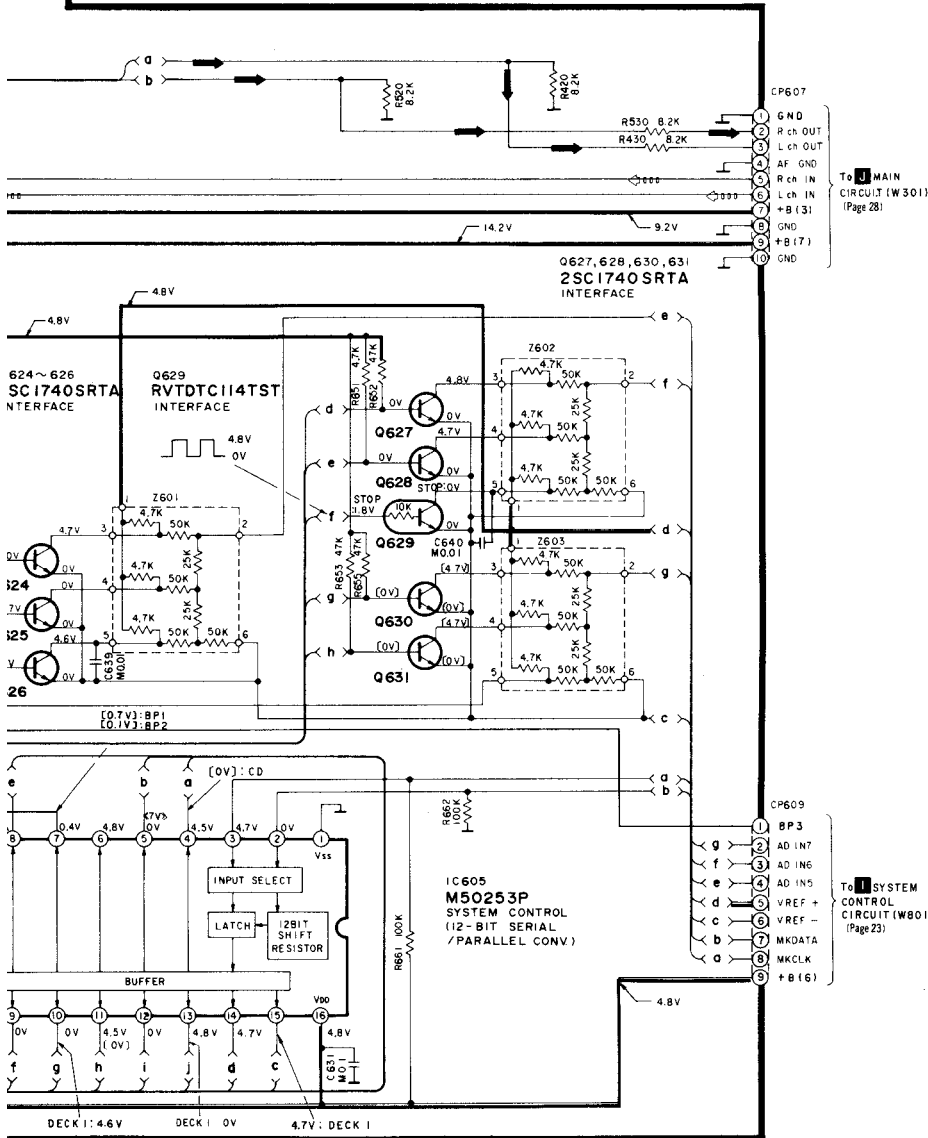
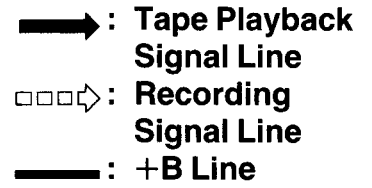
Notes:

- S951 : Deck 1 mode detect switch.
- S952 : Deck 1 cassette tape insertion detect switch.
- S953 : Deck 1 CrO₂ tape detect switch.
- S971 : Deck 2 mode detect switch.
- S972 : Deck 2 cassette tape insertion detect switch.
- S973 : Deck 2 record prevention tab detect switch. (REV)
- S974 : Deck 2 record prevention tab detect switch. (FWD)
- S975 : Deck 2 CrO₂ tape detect switch.
- VR601 : Deck 2 tape speed adjustment VR. (HIGH)
- VR602 : Deck 2 tape speed adjustment VR. (NORMAL)
- VR603 : Deck 1 tape speed adjustment VR.
- DC voltage measurements are taken with electronics voltmeter.

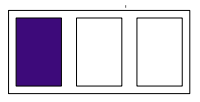
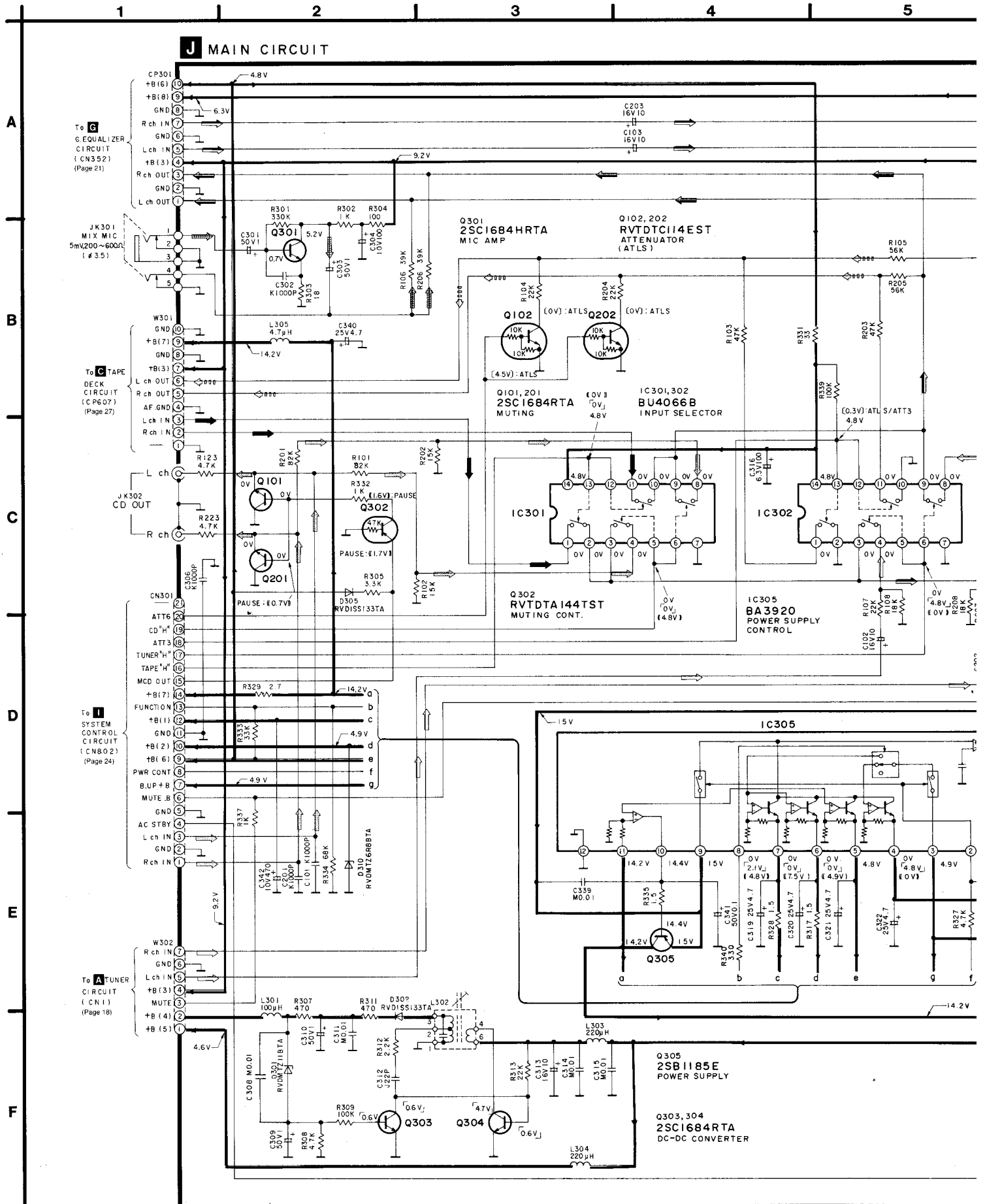
The negative terminal of the battery provides negative meter connection point.

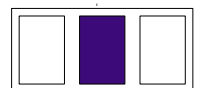
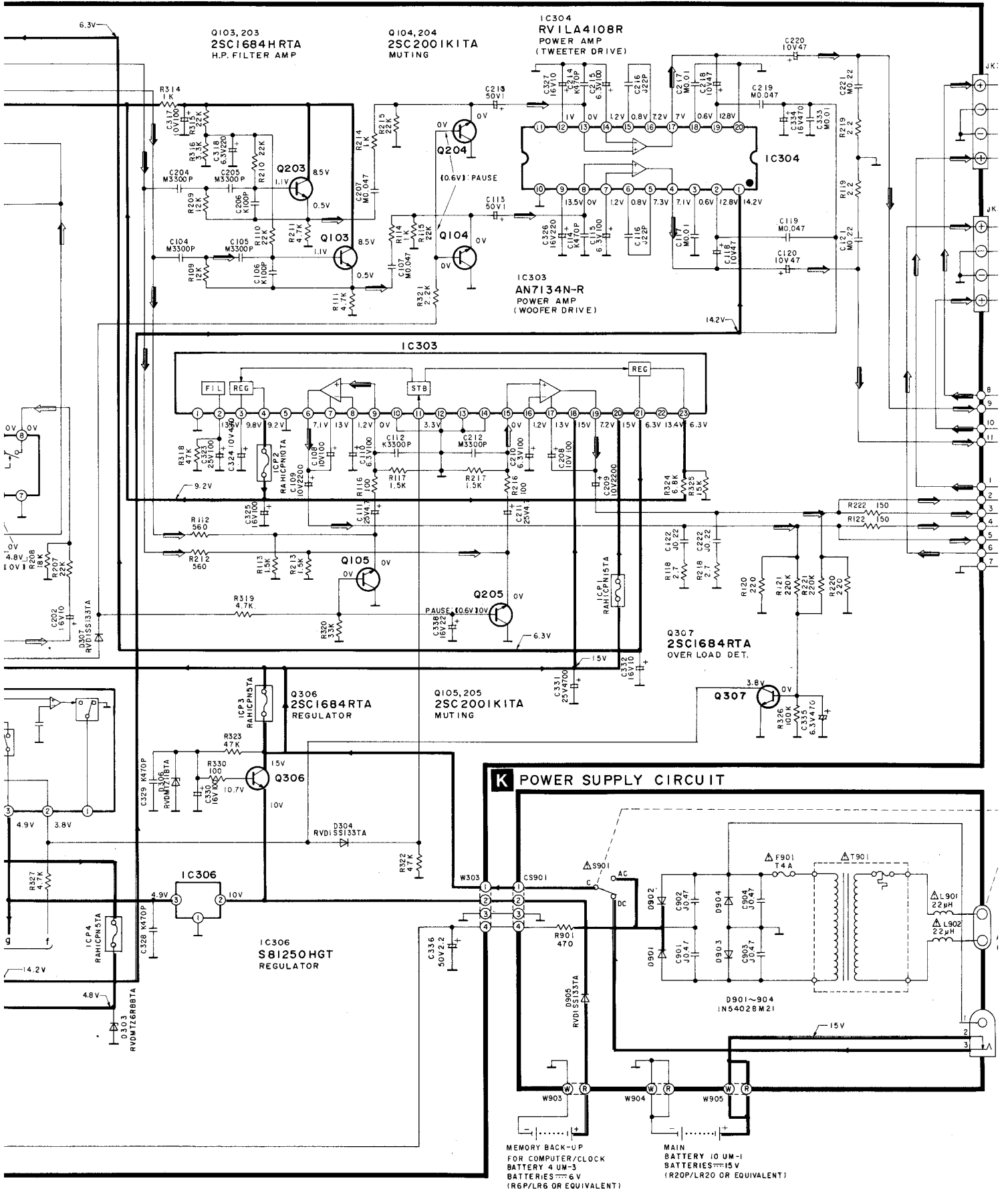
No mark...TAPE PLAYBACK (DECK 2) []...TAPE RECORDING
 << >>...HIGH SPEED EDITING

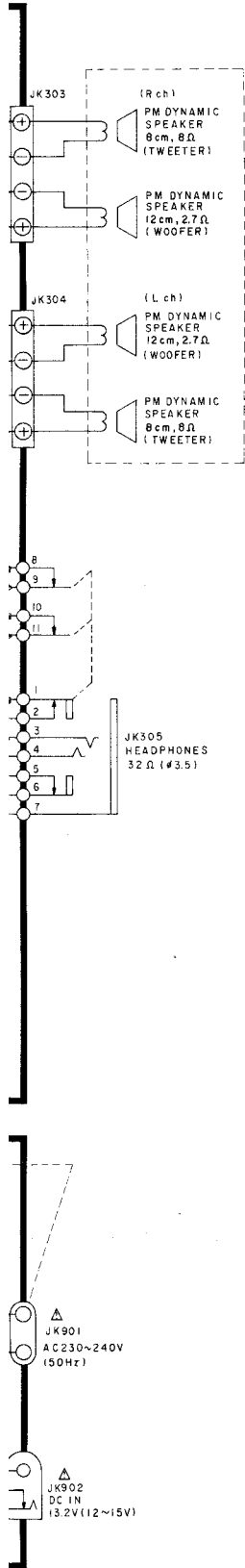
●This schematic diagram may be modified at any time with the development of new technology.



SCHEMATIC DIAGRAM • MAIN AND POWER SUPPLY CIRCUIT (Parts list on pages 63~70.)







Notes:

- S901 : AC/DC select switch in "AC" position.
- DC voltage measurements are taken with electronics voltmeter.
The negative terminal of the battery provides negative meter connection point.
No mark...TAPE PLAYBACK (DECK 2) 「 」...TUNER (())...CD
- Battery current:

Vol. min	249 mA (AM)	Vol. max	825 mA (AM)
	254 mA (FM)		820 mA (FM)
	330 mA (TAPE)		1120 mA (TAPE)
	490 mA (CD)		1470 mA (CD)

Measurement instruction
 (LW/MW: 74 dB/m, 30% Mod.)
 (FM: 60 dB, 30% Mod.)
 TAPE: 315 Hz, 0 dB
 CD: 1 kHz, 0 dB

- Important safety notice.
Components identified by Δ mark have special characteristics important for safety.
When replacing any of these components, use only manufacturer's specified parts.

●This schematic diagram may be modified at any time with the development of new technology.

- : Tuner Signal Line
- : CD Signal Line
- : Tape Playback Signal Line
- : Mic Signal Line
- : AF Signal Line
- : Recording Signal Line
- : +B Line

