

Service  
Service  
Service



150S6FB/00	170S6FB/00	190S6FB/00
150S6FB/27	170S6FB/27	190S6FB/27
150S6FG/00	170S6FG/00	190S6FG/00
150S6FG/27	170S6FG/27	190S6FG/93
150S6FS/00	170S6FS/00	190S6FS/00
		190S6FS/27
		190S6FS/96



# Service Manual

## TABLE OF CONTENTS

Description	Page	Description	Page
<u>Important Safety Notice</u>	<u>2</u>	<u>Scaler Schematic Diagram &amp; C.B.A.</u>	<u>21~26</u>
<u>Technical Data</u>	<u>3~5</u>	<u>Control Schematic Diagram &amp; C.B.A</u>	<u>27~28</u>
<u>Front Control &amp; Connections</u>	<u>6~7</u>	<u>Power Schematic Diagram &amp; C.B.A</u>	<u>29~42</u>
<u>OSD menu tree</u>	<u>8</u>	<u>General Product Specification</u>	<u>43~68</u>
<u>Lock/unlock, Burn in</u>	<u>9</u>	<u>Exploded View</u>	<u>69</u>
<u>Factory Mode</u>	<u>10</u>	<u>Spare Parts List</u>	<u>70~72</u>
<u>Pixel Defect Policy</u>	<u>11~12</u>	<u>Different Parts List</u>	<u>73~75</u>
<u>Mechanical Instructions</u>	<u>13~14</u>	<u>DDC Instruction &amp; Data</u>	<u>76~81</u>
<u>Display Adjustments</u>	<u>15</u>	<u>Firmware upgrade for CPU</u>	<u>82~83</u>
<u>Warning Message</u>	<u>16</u>	<u>Repair Tips</u>	<u>84~85</u>
<u>Trouble Shooting</u>	<u>17~18</u>	<u>Safety test requirements</u>	<u>86</u>
<u>Wiring Dirgram</u>	<u>19</u>	<u>Repair Flow Chart</u>	<u>87~89</u>
<u>Block Diagram</u>	<u>20</u>	<u>Smart Manage</u>	<u>90</u>

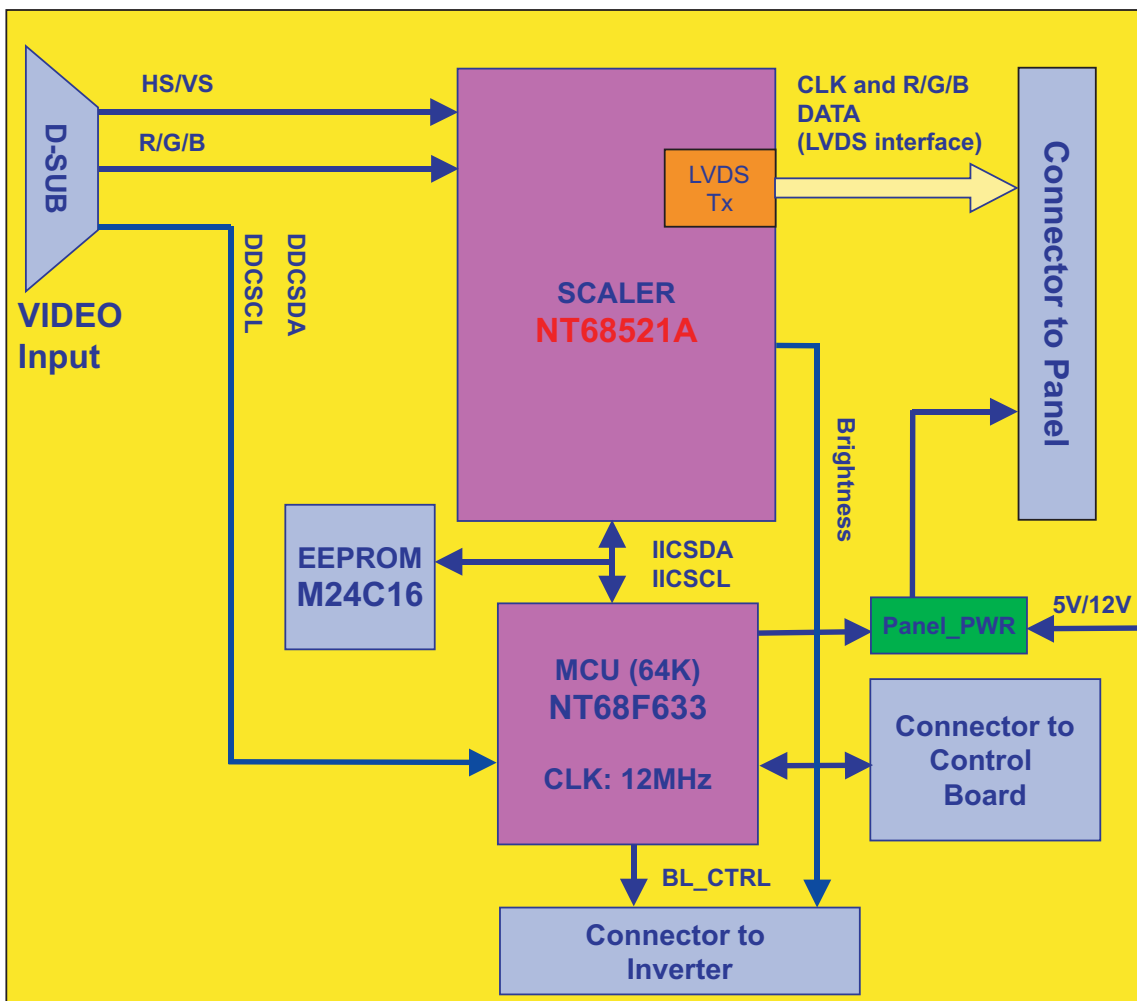
### SAFETY NOTICE

ANY PERSON ATTEMPTING TO SERVICE THIS CHASSIS MUST FAMILIARIZE HIMSELF WITH THE CHASSIS AND BE AWARE OF THE NECESSARY SAFETY PRECAUTIONS TO BE USED WHEN SERVICING ELECTRONIC EQUIPMENT CONTAINING HIGH VOLTAGES.

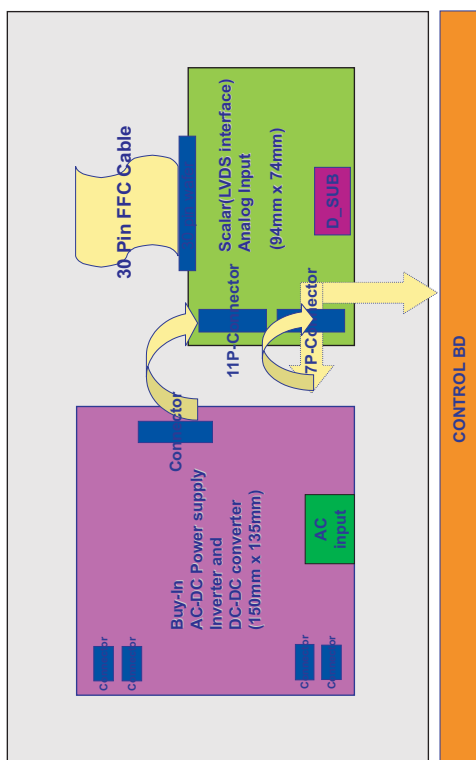
CAUTION: USE A SEPARATE ISOLATION TRANSFORMER FOR THIS UNIT WHEN SERVICING.

REFER TO BACK COVER FOR IMPORTANT SAFETY GUIDELINES

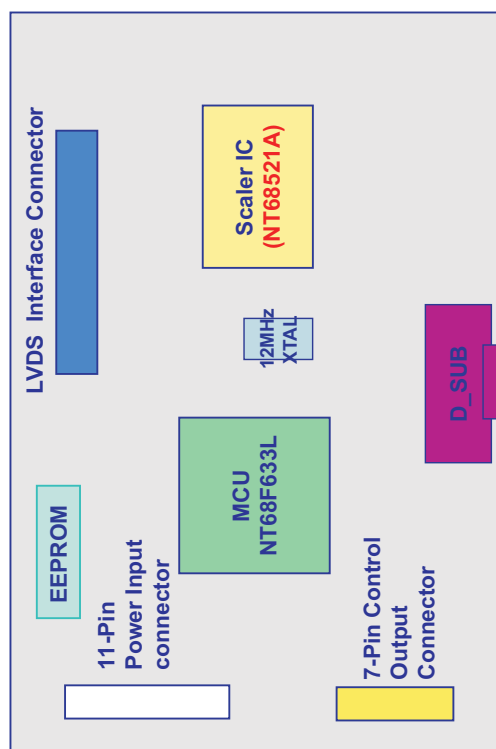
# Scaler Board Block Diagram



## System Block Diagram



## Scaler Board Layout



# Scaler Schematic Diagram - 1

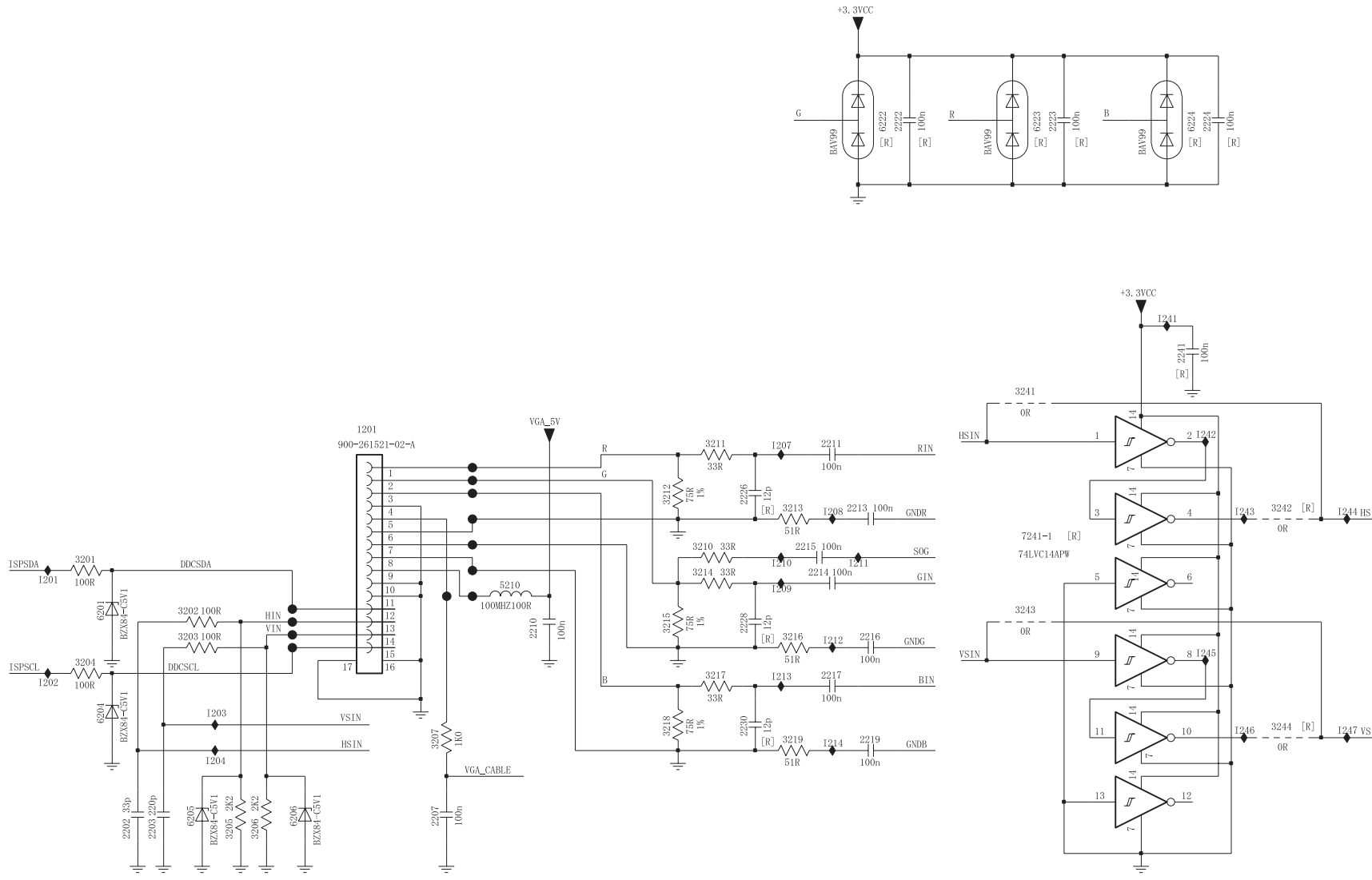
**PHILIPS**

All rights reserved. Reproduction in whole or in parts is prohibited without the written consent of the copyright owner.

Alle rechten voorbehouden. Verveelvuldiging, geheel of gedeeltelijk, is niet toegestaan dan met schriftelijke toestemming van de auteursrechtbehebende.

**A** SCALER BOARD  
 SB: 61611 x 6  
 PB: 61621

Ref Des	Reserved
2222	223878615649 100n
2223	223878615649 100n
2224	223878615649 100n
2226	223886715129 12p
2228	223886715129 12p
2230	223886715129 12p
2241	223878615649 100n
3242	232270296001
3244	232270296001
6222	933215370215 BAV99
6223	933215370215 BAV99
6224	933215370215 BAV99
7241-1	935260739118 74LVC14APW
7241-2	935260739118
7241-3	935260739118
7241-4	935260739118
7241-5	935260739118
7241-6	935260739118



EXCEPT 1201 WERE CHIP COMPONENTS.

- 1201 D4
- 2202 F2
- 2203 F3
- 2207 F4
- 2210 E5
- 2211 D6
- 2213 D6
- 2214 E6
- 2215 D6
- 2216 E7
- 2217 E6
- 2219 E7
- 2222 B7
- 2223 B8
- 2224 B8
- 2226 D6
- 2228 E6
- 2230 E6
- 2241 C8
- 3201 D2
- 3202 E3
- 3203 E3
- 3204 E2
- 3205 F3
- 3206 F3
- 3207 E4
- 3210 D6
- 3211 D6
- 3212 D5
- 3213 D6
- 3214 E6
- 3215 E5
- 3216 E6
- 3217 E6
- 3218 E5
- 3219 E6
- 3241 C7
- 3242 D9
- 3243 E7
- 3244 E9
- 5210 E5
- 6201 E2
- 6204 E2
- 6205 F3
- 6206 F3
- 6222 B7
- 6223 B7
- 6224 B8
- 7241-1 D9
- 1201 E2
- 1202 E2
- 1203 E3
- 1204 F3
- 1207 D6
- 1208 D6
- 1209 E6
- 1210 D6
- 1211 D6
- 1212 E6
- 1213 E6
- 1214 E6
- 1241 C8
- 1242 D8
- 1243 D9
- 1244 D9
- 1245 E8
- 1246 E9
- 1247 E9

CHN	ECO-	SETNAME	LCD SH6
CLASS_00	DSUB		
2004-12-15	3		
NAME	Peter V./Stella Fann	SUPERS.	4 10 130 - 1 *** A3
MGR	CHECK *****	DATE	2004-12-15
© KONINKLIJKE PHILIPS ELECTRONICS N.V. 2000			

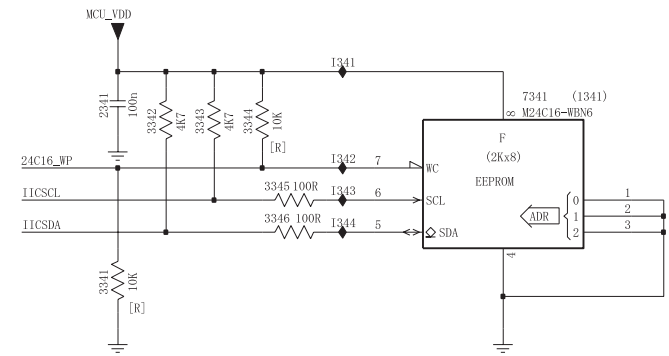
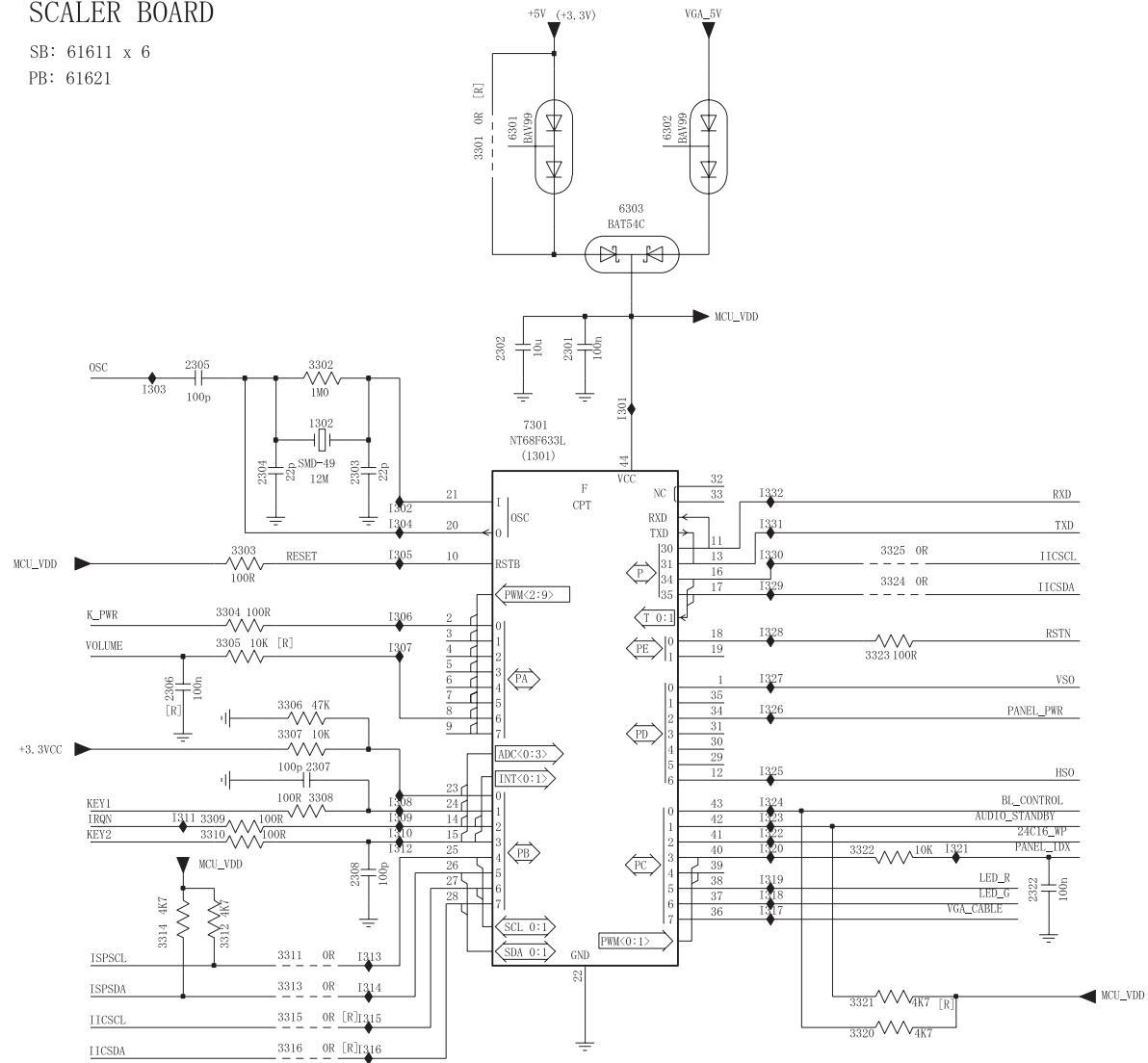
# Scaler Schematic Diagram - 2

**PHILIPS**



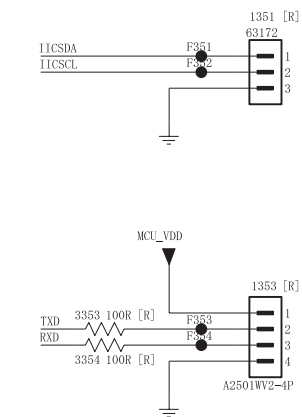
## SCALER BOARD

SB: 61611 x 6  
PB: 61621



Ref_Des	Reserved
1351	243803100116
	63172
1353	313816876941
	A2501WV2-4P
2306	223878615649
	100n
3301	232273091002
3305	212211805669
	10K
3315	232270296001
3316	232270296001
3321	232270260472
	4K7
3341	232270260103
	10K
3344	212211805669
	10K
3353	232270260101
	100R
3354	232270260101
	100R

ITEM	15"	17"/19"
3301	V	X
6301	X	



- 1302 C2
- 1351 C9
- 1353 D9
- 2301 B3
- 2302 B3
- 2303 C3
- 2304 C2
- 2305 B2
- 2306 D2
- 2307 D2
- 2308 E3
- 2322 E6
- 2341 A7
- 3301 A3
- 3302 B2
- 3303 C2
- 3304 D2
- 3305 D2
- 3306 D2
- 3307 D2
- 3308 D2
- 3309 D2
- 3310 E2
- 3311 E2
- 3312 E2
- 3313 E2
- 3314 E2
- 3315 E2
- 3316 F2
- 3320 E5
- 3321 E5
- 3322 E5
- 3323 D5
- 3324 C5
- 3325 C5
- 3341 B7
- 3342 A7
- 3343 A7
- 3344 A7
- 3345 B8
- 3346 B8
- 3353 D8
- 3354 D8
- 6301 A4
- 6302 A4
- 6303 B4
- 7301 C3
- 7341 A9
- F351 C9
- F352 C9
- F353 D9
- F354 D9
- I301 C4
- I302 C3
- I303 B2
- I304 C3
- I305 C3
- I306 D3
- I307 D3
- I308 D3
- I309 D3
- I310 E3
- I311 D2
- I312 E3
- I313 E3
- I314 E3
- I315 E3
- I316 F3
- I317 E4
- I318 E4
- I319 E4
- I320 E4
- I321 E5
- I322 E4
- I323 D4
- I324 D4
- I325 D4
- I326 D4
- I327 D4
- I328 D4
- I329 C4
- I330 C4
- I331 C4
- I332 A8
- I333 A8
- I334 B8
- I335 B8

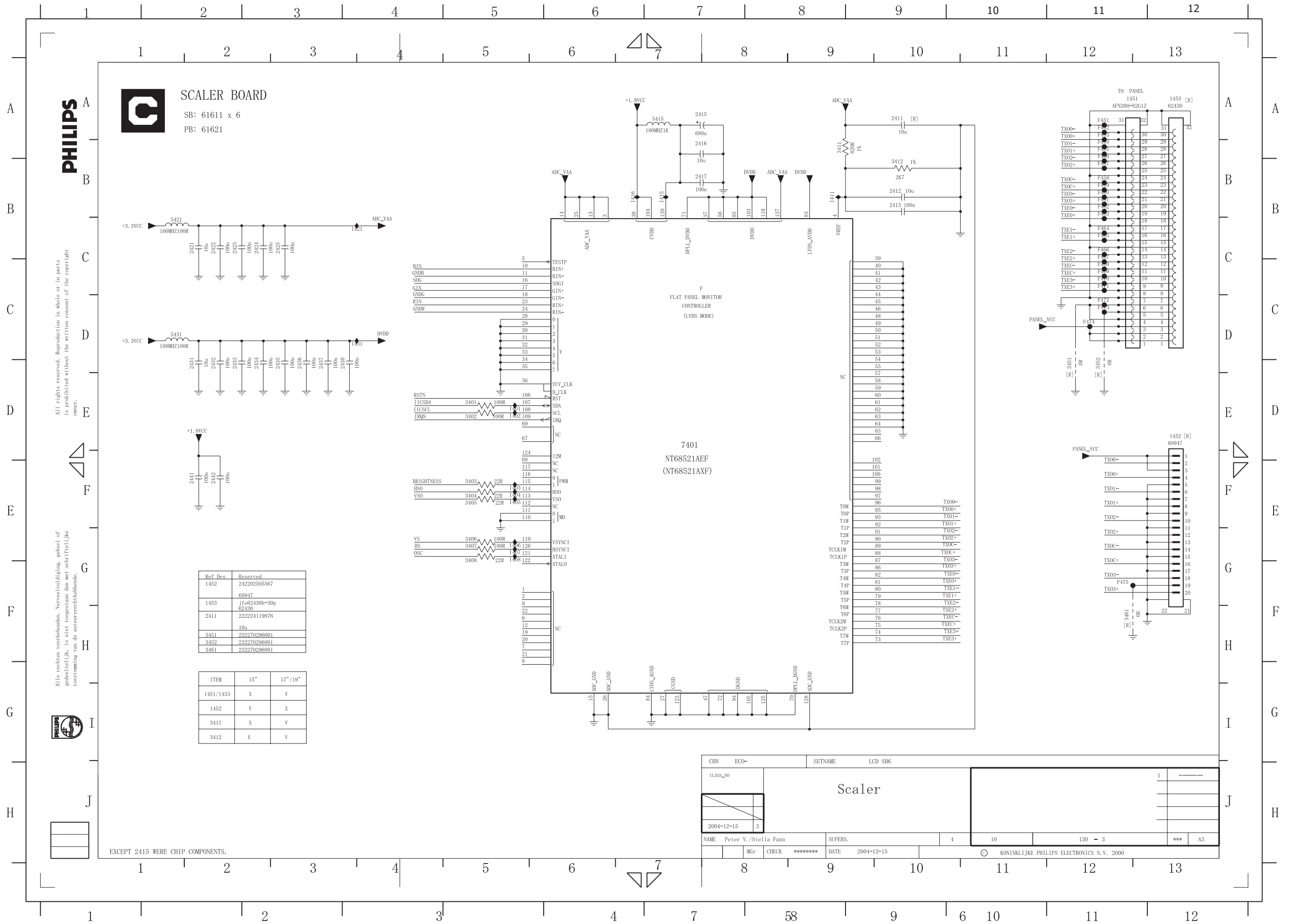
All rights reserved. Reproduction in whole or in parts is prohibited without the written consent of the copyright owner.

Alle rechten voorbehouden. Vervoltekening, geheel of gedeeltelijk, is niet toegestaan dan met schriftelijke toestemming van de auteursrechtbehouder.

EXCEPT 1351, 1353 WERE CHIP COMPONENTS.

CHN	ECO-	SETNAME	LCD SH6
CLASS_NO	MICRO		1
2004-12-15	3		
NAME	Peter V./Stella Fann	SUPERS.	4
Gr	CHECK	*****	DATE
			2004-12-15
		© KONINKLIJKE PHILIPS ELECTRONICS N.V. 2000	

# Scaler Schematic Diagram - 3



- 1451 A11
- 1452 D12
- 1453 A12
- 2411 A9
- 2412 B9
- 2413 B9
- 2415 A7
- 2416 A7
- 2417 B7
- 2421 B2
- 2422 B2
- 2423 B2
- 2424 B3
- 2425 B3
- 2431 D2
- 2432 D2
- 2433 D2
- 2434 D3
- 2435 D3
- 2436 D3
- 2437 D3
- 2438 D4
- 2441 E2
- 2442 E2
- 3401 D5
- 3402 D5
- 3403 E5
- 3404 E5
- 3405 E5
- 3406 E5
- 3407 E5
- 3408 F5
- 3411 A8
- 3412 B9
- 3451 D11
- 3452 D11
- 3461 F11
- 5415 A7
- 5421 B2
- 5431 C2
- 7401 D7
- F451 A11
- F452 A11
- F453 A11
- F454 A11
- F455 A11
- F456 B11
- F457 B11
- F458 B11
- F459 B11
- F460 B11
- F461 B11
- F462 B11
- F463 B11
- F464 B11
- F465 B11
- F466 B11
- F467 C11
- F468 C11
- F469 C11
- F470 C11
- F471 C11
- F472 C11
- F473 C11
- F474 C11
- F475 F11
- 1401 D5
- 1402 D5
- 1403 E5
- 1404 E5
- 1405 E5
- 1406 E5
- 1407 E5
- 1408 E5
- 1411 B8
- 1415 B7
- 1416 B6
- 1421 B4
- 1431 C4

Ref Des	Reserved
1452	242202505567
	60947
1453	1f662430h-30p
	62430
2411	222224119876
	10u
3451	232270296001
3452	232270296001
3461	232270296001

ITEM	15"	17"/19"
1451/1453	X	V
1452	V	X
3411	X	V
3412	X	V

CHN	ECO-	SETNAME	LCD SH6
CLASS_20		Scaler	
2004-12-15			
NAME	Peter V./Stella Fann	SUPERS.	4
Mgr	CHECK *****	DATE	2004-12-15
		KONINKLIJKE PHILIPS ELECTRONICS N.V. 2000	

All rights reserved. Reproduction in whole or in parts is prohibited without the written consent of the copyright owner.

Alle rechten voorbehouden. Vervielfoudiging, geheel of gedeeltelijk, is niet toegestaan dan met schriftelijke toestemming van de auteursrechtbehoudende.

EXCEPT 2415 WERE CHIP COMPONENTS.

# Scaler Schematic Diagram - 4

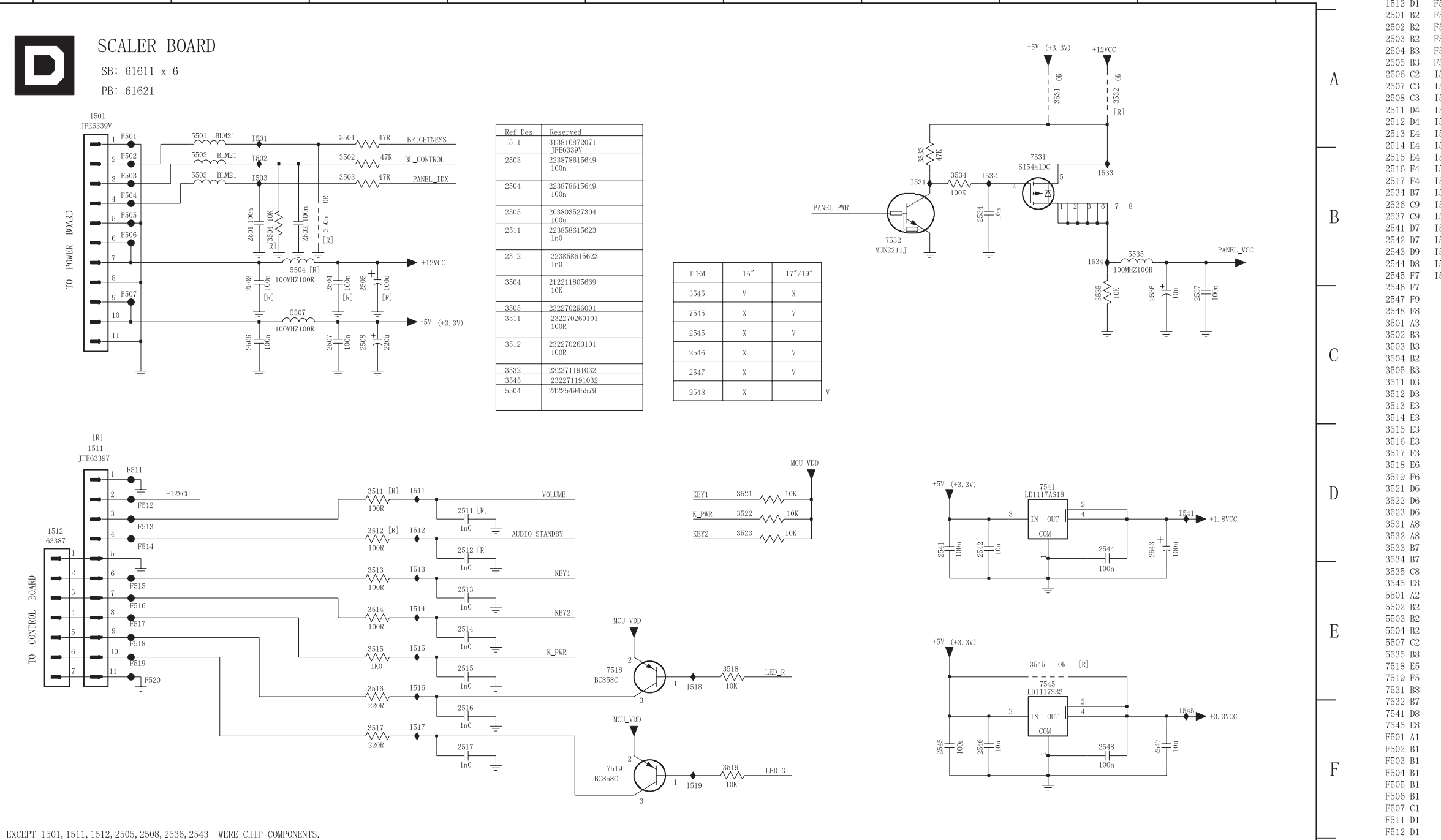
**PHILIPS**

All rights reserved. Reproduction in whole or in parts is prohibited without the written consent of the copyright owner.

Alle rechten voorbehouden. Verveelvuldiging, geheel of gedeeltelijk, is niet toegestaan dan met schriftelijke toestemming van de auteursrechtbehouder.

1 2 3 4 5 6 7 8 9 10 11 12 13

1 2 3 4 5 7 6 8



- 1501 D1 F513 D1
- 1511 D1 F514 D1
- 1512 D1 F515 E1
- 2501 B2 F516 E1
- 2502 B2 F517 E1
- 2503 B2 F518 E1
- 2504 B3 F519 E1
- 2505 B3 F520 E1
- 2506 C2 1501 A2
- 2507 C3 1502 B2
- 2508 C3 1503 B2
- 2511 D4 1511 D3
- 2512 D4 1512 D3
- 2513 E4 1513 E3
- 2514 E4 1514 E3
- 2515 E4 1515 E3
- 2516 F4 1516 E3
- 2517 F4 1517 F3
- 2534 B7 1518 E5
- 2536 C9 1519 F5
- 2537 C9 1531 B7
- 2541 D7 1532 B7
- 2542 D7 1533 B8
- 2543 D9 1534 B8
- 2544 D8 1541 D9
- 2545 F7 1545 F9
- 2546 F7
- 2547 F9
- 2548 F8
- 3501 A3
- 3502 B3
- 3503 B3
- 3504 B2
- 3505 B3
- 3511 D3
- 3512 D3
- 3513 E3
- 3514 E3
- 3515 E3
- 3516 E3
- 3517 F3
- 3518 E6
- 3519 F6
- 3521 D6
- 3522 D6
- 3523 D6
- 3531 A8
- 3532 A8
- 3533 B7
- 3534 B7
- 3535 C8
- 3545 E8
- 5501 A2
- 5502 B2
- 5503 B2
- 5504 B2
- 5507 C2
- 5535 B8
- 7518 E5
- 7519 F5
- 7531 B8
- 7532 B7
- 7541 D8
- 7545 E8
- F501 A1
- F502 B1
- F503 B1
- F504 B1
- F505 B1
- F506 B1
- F507 C1
- F511 D1
- F512 D1

CHN	ECO-	SETNAME	LCD SH6
CLASS_No	CONNECTOR		1
2004-12-15	3		
NAME	Peter V./Stella Fann	SUPERS.	4
CHECK	DATE	2004-12-15	130 - 4
© KONINKLIJKE PHILIPS ELECTRONICS N.V. 2000			

1 2 3 4 5 6

1 2 3 4 5 6 7 8 9 10 11 12 13

# Scaler Board C.B.A - 1

**PHILIPS**

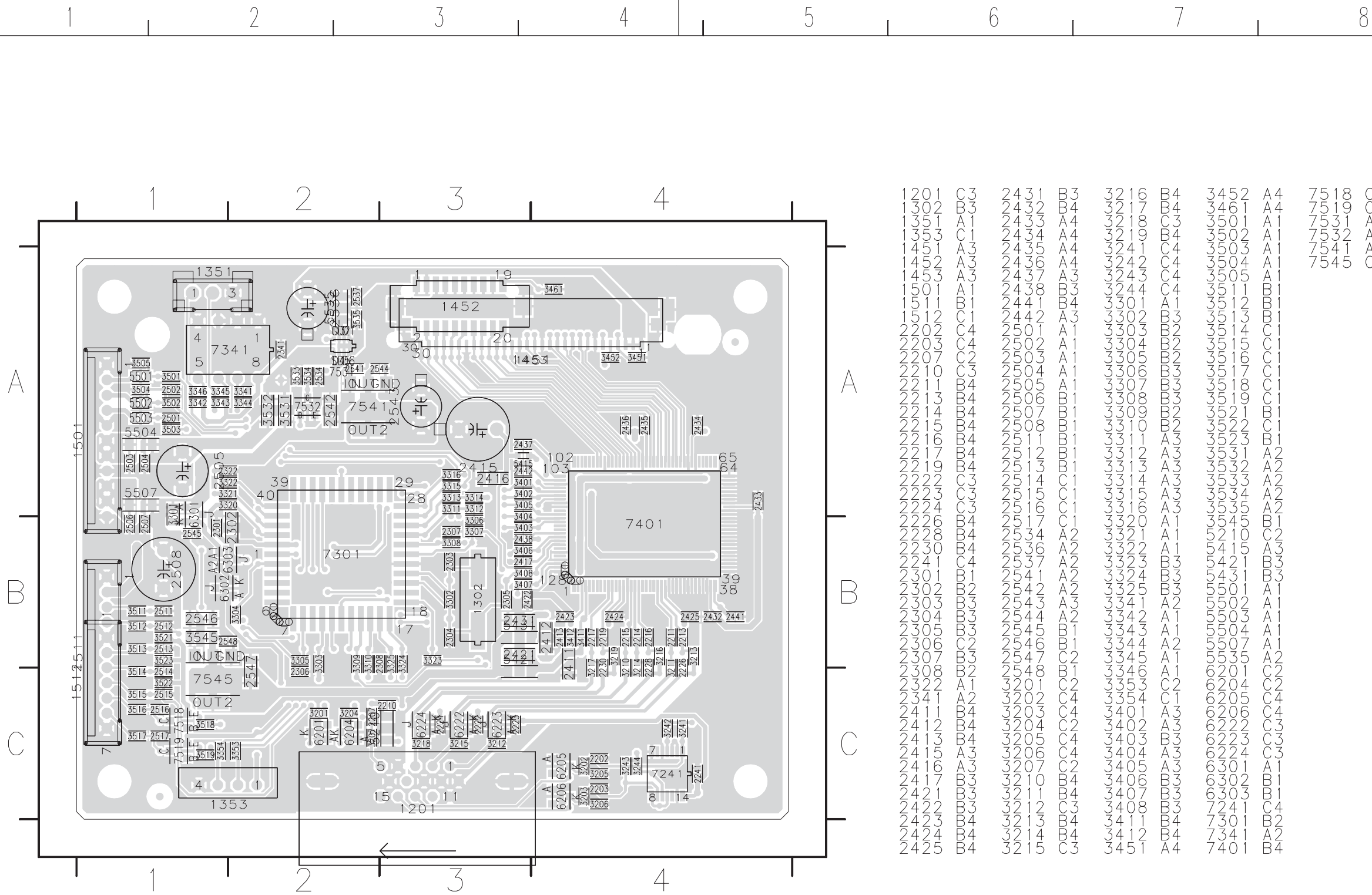


ALL RIGHTS ARE RESERVED. REPRODUCTION IN WHOLE OR IN PART IS PROHIBITED WITHOUT THE WRITTEN CONSENT OF THE COPYRIGHT OWNER.



e

f



120	1	C	B
130	2	B	B
135	1	A	C
135	3	A	C
145	1	A	A
145	2	A	A
145	3	A	A
150	1	A	A
151	1	B	B
151	12	B	B
220	2	C	C
220	3	C	C
220	7	C	C
221	10	A	A
221	13	A	A
221	14	A	A
221	15	A	A
221	17	A	A
221	19	A	A
222	1	B	B
222	3	B	B
222	4	B	B
222	8	B	B
222	10	A	A
222	11	A	A
222	14	A	A
222	15	A	A
222	17	A	A
222	19	A	A
222	23	C	C
222	24	C	C
222	28	C	C
222	30	C	C
222	31	C	C
222	33	C	C
222	34	A	A
222	37	A	A
222	41	A	A
222	42	A	A
222	43	A	A
223	0	B	B
223	1	B	B
223	2	B	B
223	3	B	B
223	4	B	B
223	5	B	B
223	7	B	B
223	8	B	B
223	11	B	B
223	12	B	B
223	13	B	B
223	14	B	B
223	15	B	B
223	17	B	B
223	19	B	B
223	20	B	B
223	21	B	B
223	22	B	B
223	23	B	B
223	24	B	B
223	25	B	B
223	27	B	B
223	28	B	B
223	29	B	B
223	30	B	B
223	31	B	B
223	32	B	B
223	33	B	B
223	34	B	B
223	35	B	B
223	36	B	B
223	37	B	B
223	38	B	B
223	39	B	B
223	40	B	B
223	41	B	B
223	42	B	B
223	43	B	B
223	44	B	B
223	45	B	B
223	47	B	B
223	48	B	B
223	50	B	B
223	51	B	B
223	52	B	B
223	53	B	B
223	54	B	B
223	55	B	B
223	56	B	B
223	57	B	B
223	58	B	B
223	59	B	B
223	60	B	B
223	61	B	B
223	62	B	B
223	63	B	B
223	64	B	B
223	65	B	B
223	66	B	B
223	67	B	B
223	68	B	B
223	69	B	B
223	70	B	B
223	71	B	B
223	72	B	B
223	73	B	B
223	74	B	B
223	75	B	B
223	76	B	B
223	77	B	B
223	78	B	B
223	79	B	B
223	80	B	B
223	81	B	B
223	82	B	B
223	83	B	B
223	84	B	B
223	85	B	B
223	86	B	B
223	87	B	B
223	88	B	B
223	89	B	B
223	90	B	B
223	91	B	B
223	92	B	B
223	93	B	B
223	94	B	B
223	95	B	B
223	96	B	B
223	97	B	B
223	98	B	B
223	99	B	B
223	100	B	B

CN:		SH6 170	
CLASS NO. 3XX000	Scaler Board	1 2004-12-14	
1	LCD SH6	3138 103	
2			
2004-12-14	3		
NAME Peter V./Stella	SUPERS	2	10 132 - 1 A3
CHECK	DATE 2004-12-14	©	Philips Electronics N.V.

# Scaler Board C.B.A - 2

# PHILIPS

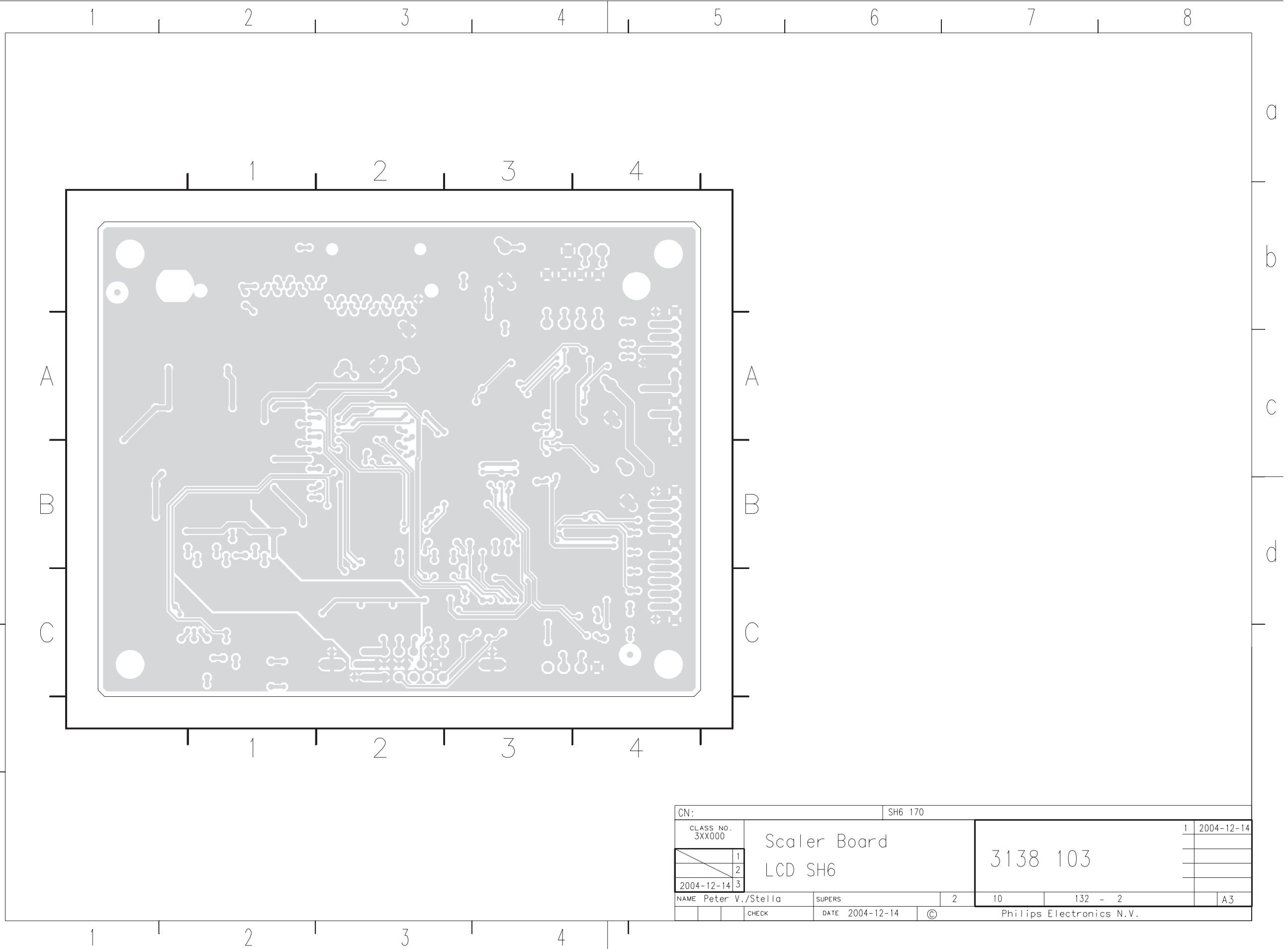


ALL RIGHTS ARE RESERVED. REPRODUCTION IN WHOLE OR IN PART IS PROHIBITED WITHOUT THE WRITTEN CONSENT OF THE COPYRIGHT OWNER.



e

f



CN:		SH6 170			
CLASS NO. 3XX000	Scaler Board			1	2004-12-14
	LCD SH6			3138	103
2004-12-14	3				
NAME Peter V./Stella	SUPERS	2	10	132 - 2	A3
CHECK	DATE 2004-12-14	©	Philips Electronics N.V.		

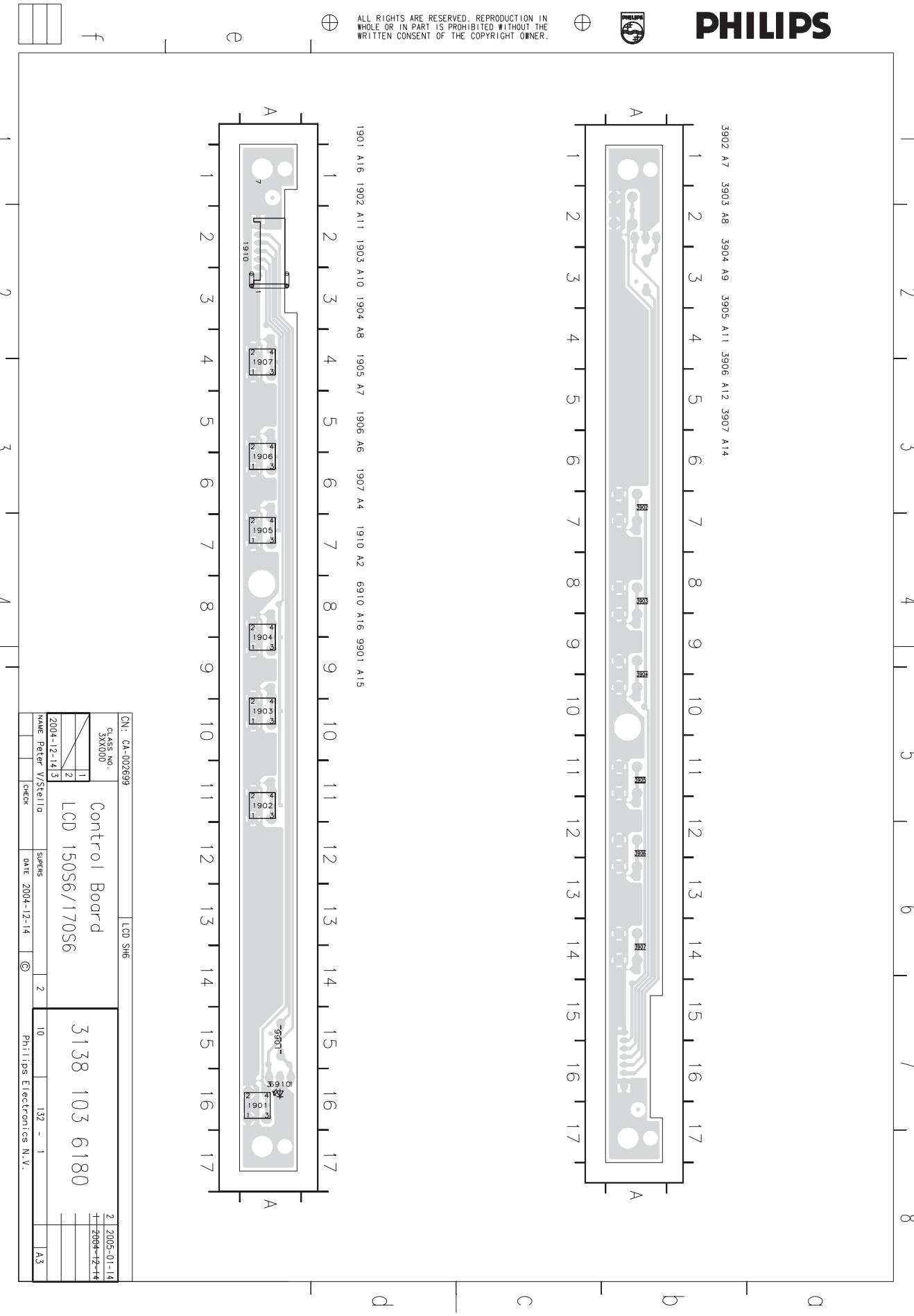
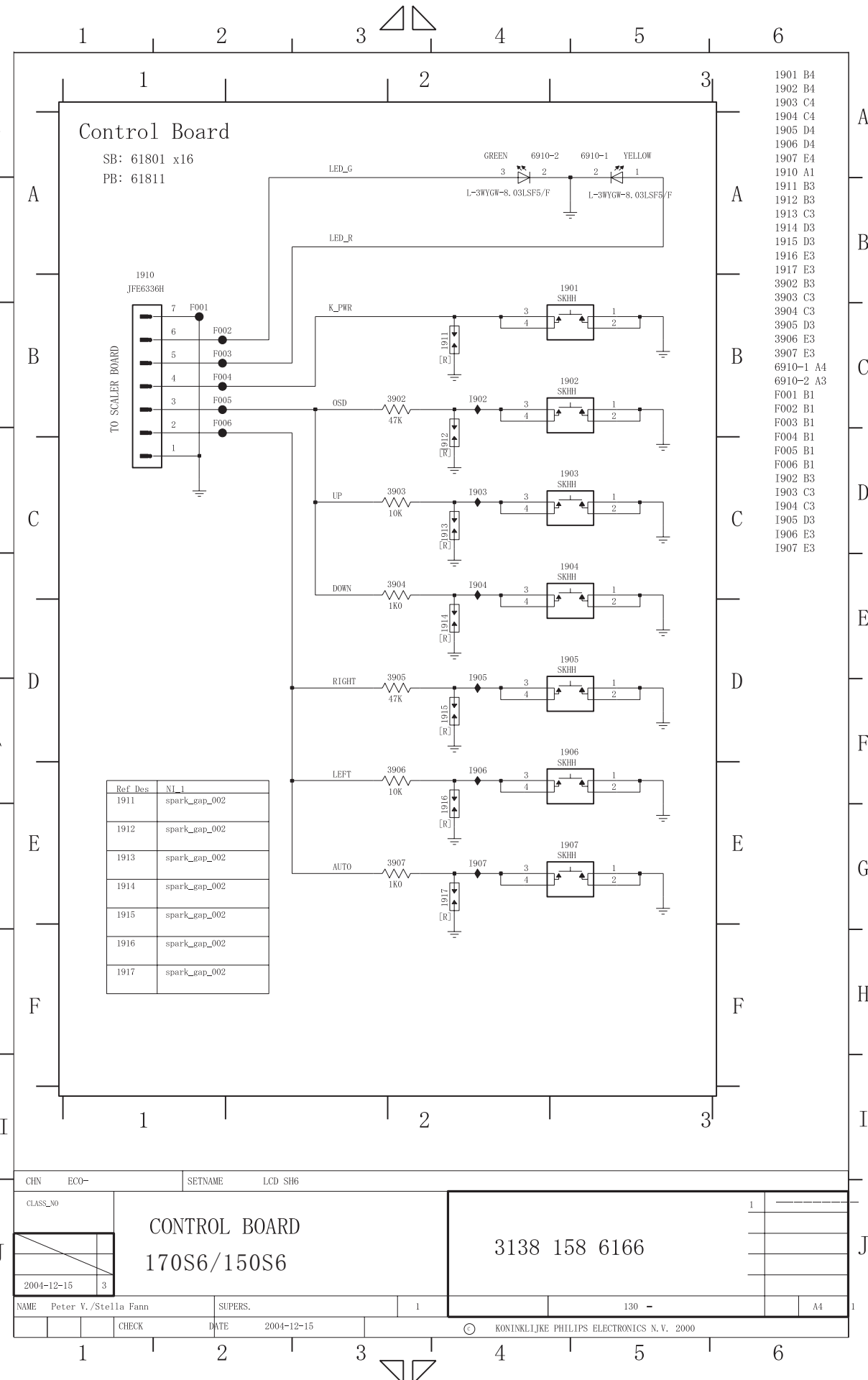


# Control Board Schematic Diagram and C.B.A - 150S6/170S6



All rights reserved. Reproduction in whole or in parts is prohibited without the written consent of the copyright owner.

Alle rechten voorbehouden. Vervolgvuldiging, geheel of gedeeltelijk, is niet toegestaan dan met schriftelijke toestemming van de auteursrechtbehouder.

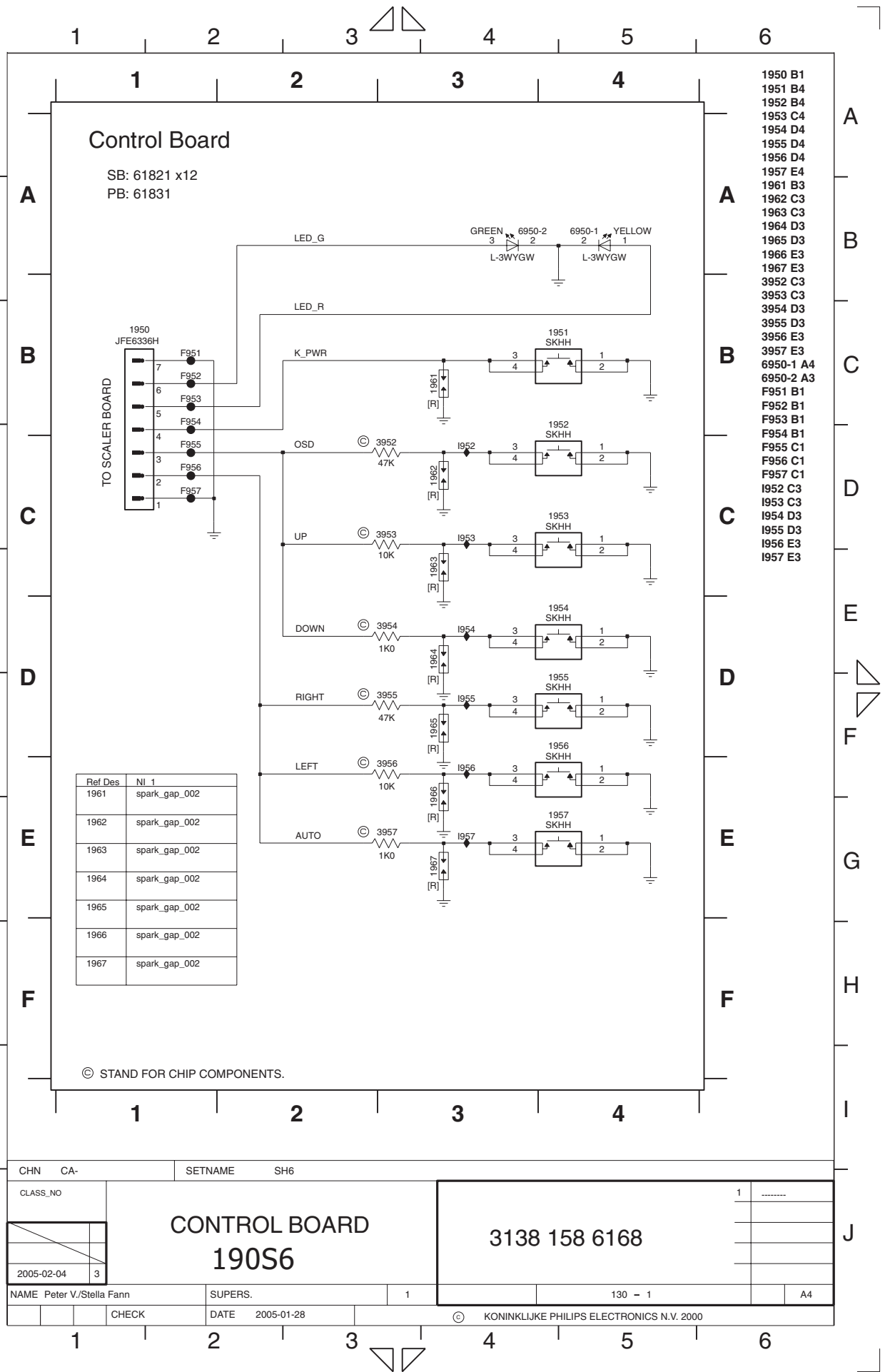


# Control Board Schematic Diagram and C.B.A - 190S6

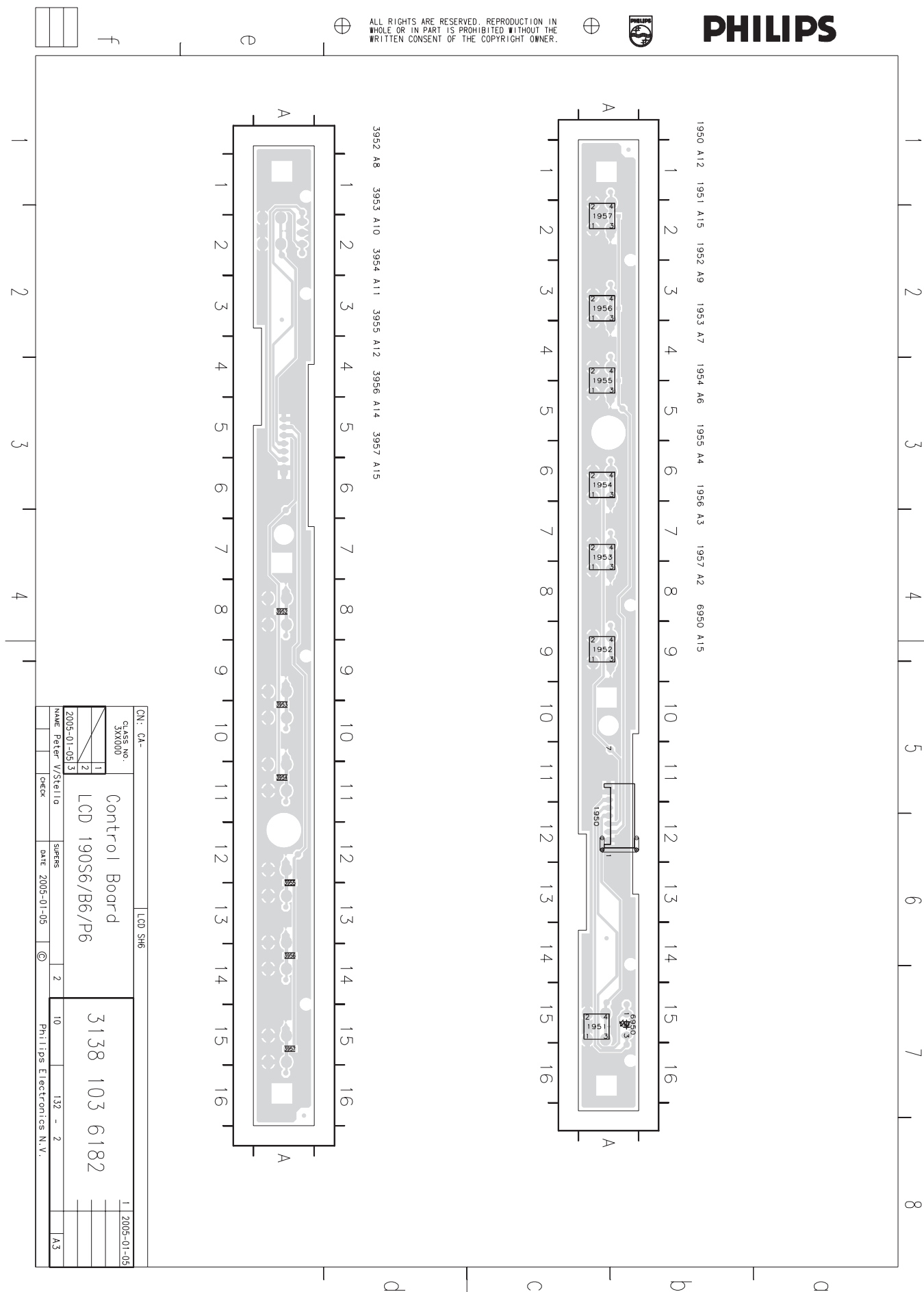
**PHILIPS**

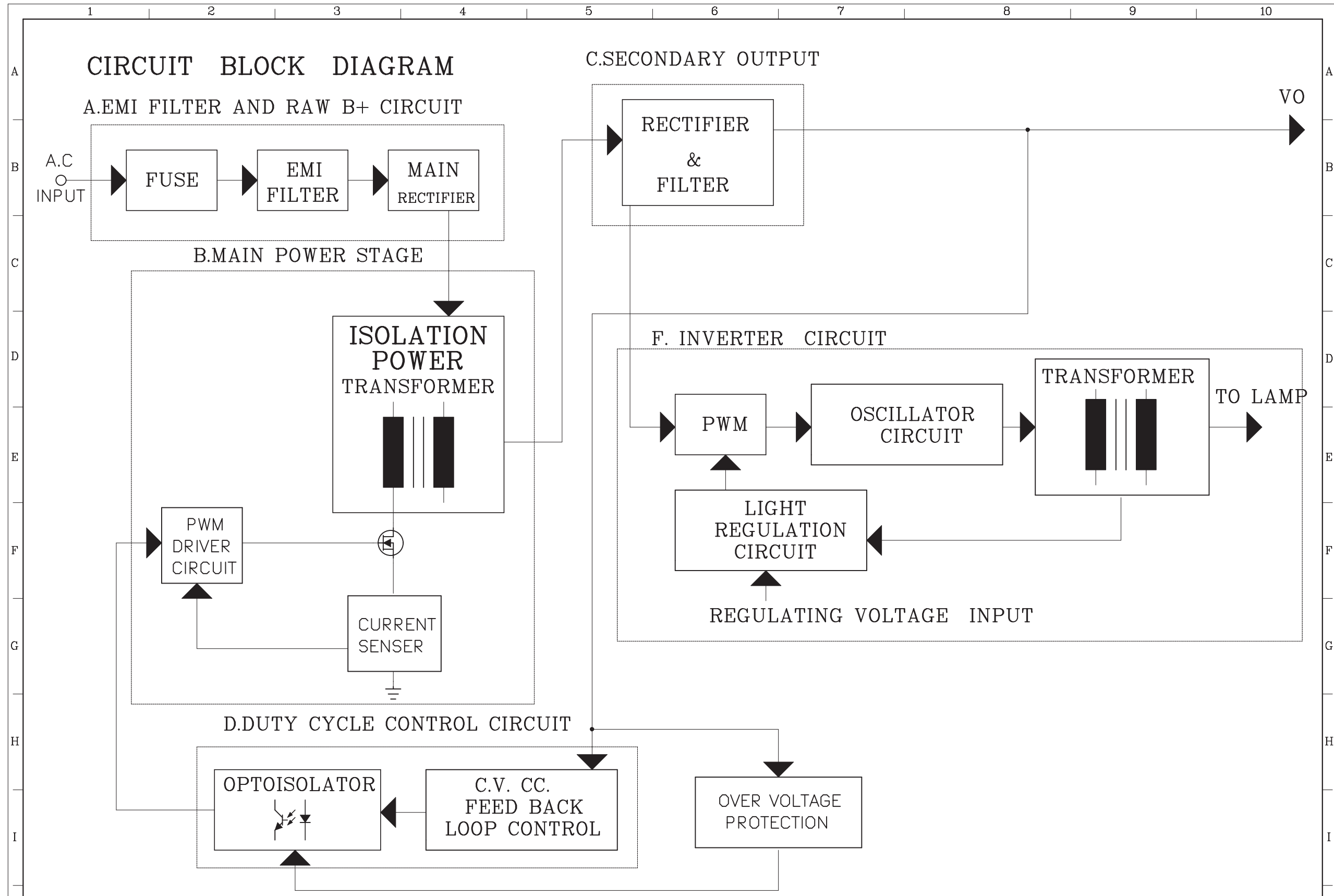
All rights reserved. Reproduction in whole or in parts is prohibited without the written consent of the copyright owner.

Alle rechten voorbehouden. Vervolmelding, geheel of gedeeltelijk, is niet toegestaan dan met schriftelijke toestemming van de auteursrechtbehebende.



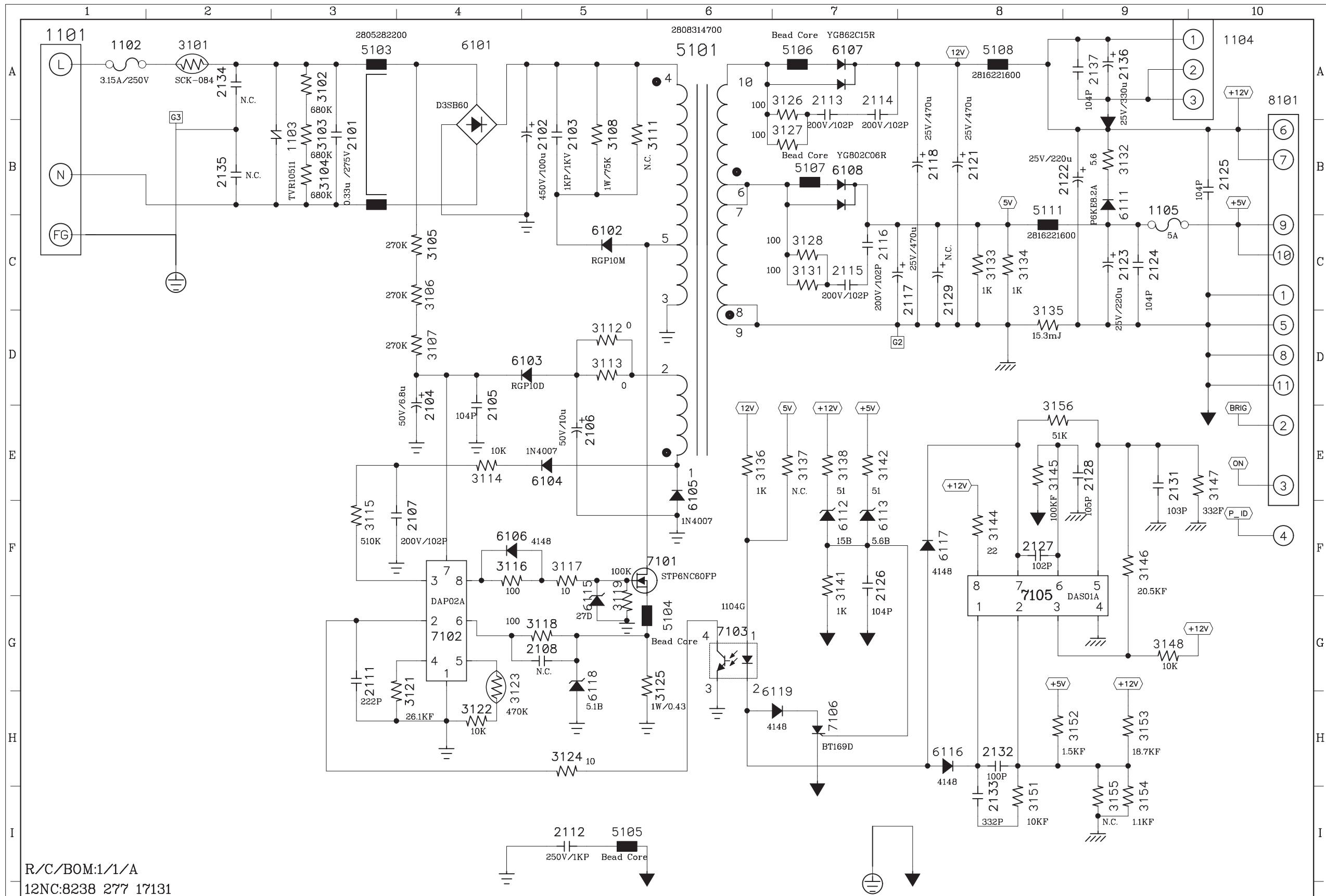
CHN CA-	SETNAME SH6
CLASS_NO	1
<b>CONTROL BOARD 190S6</b>	
<b>3138 158 6168</b>	
NAME Peter V./Stella Fann	SUPERS. 1
CHECK	DATE 2005-01-28
© KONINKLIJKE PHILIPS ELECTRONICS N.V. 2000	





<p>DELTA ELECTRONICS, INC.</p> <p>THESE DRAWINGS AND SPECIFICATIONS ARE THE PROPERTY OF DELTA ELECTRONICS, INC. AND SHALL NOT BE REPRODUCED OR USED AS THE BASIS FOR THE MANUFACTURE OR SELL OF APPARATUSES OR DEVICES WITHOUT PERMISSION.</p>	Date: 12/21/04	LY.REV.(R/C) 1/0	Drawn: MAY	Checked	Approved	PART NO.	REV.	SHEET
	PWB: EADP-43AF A 2941012401	FILE NAME: BD-43AF A		\$%&	!"#	EADP-43AF A		01 TO END
	DESCRIPTION: SCHEMATIC OF AC --> DC ADAPTOR			12/21/04	12/21/04			

# Power Board Schematic Diagram (170S6/190S6) - Delta



R/C/BOM:1/1/A  
 12NC:8238 277 17131

**DELTA** DELTA ELECTRONICS, INC.  
 THESE DRAWINGS AND SPECIFICATIONS ARE THE PROPERTY OF DELTA ELECTRONICS, INC AND SHALL NOT BE REPRODUCED OR USED AS THE BASIS FOR THE MANUFACTURE OR SELL OF APPARATUSES OR DEVICES WITHOUT PERMISSON.

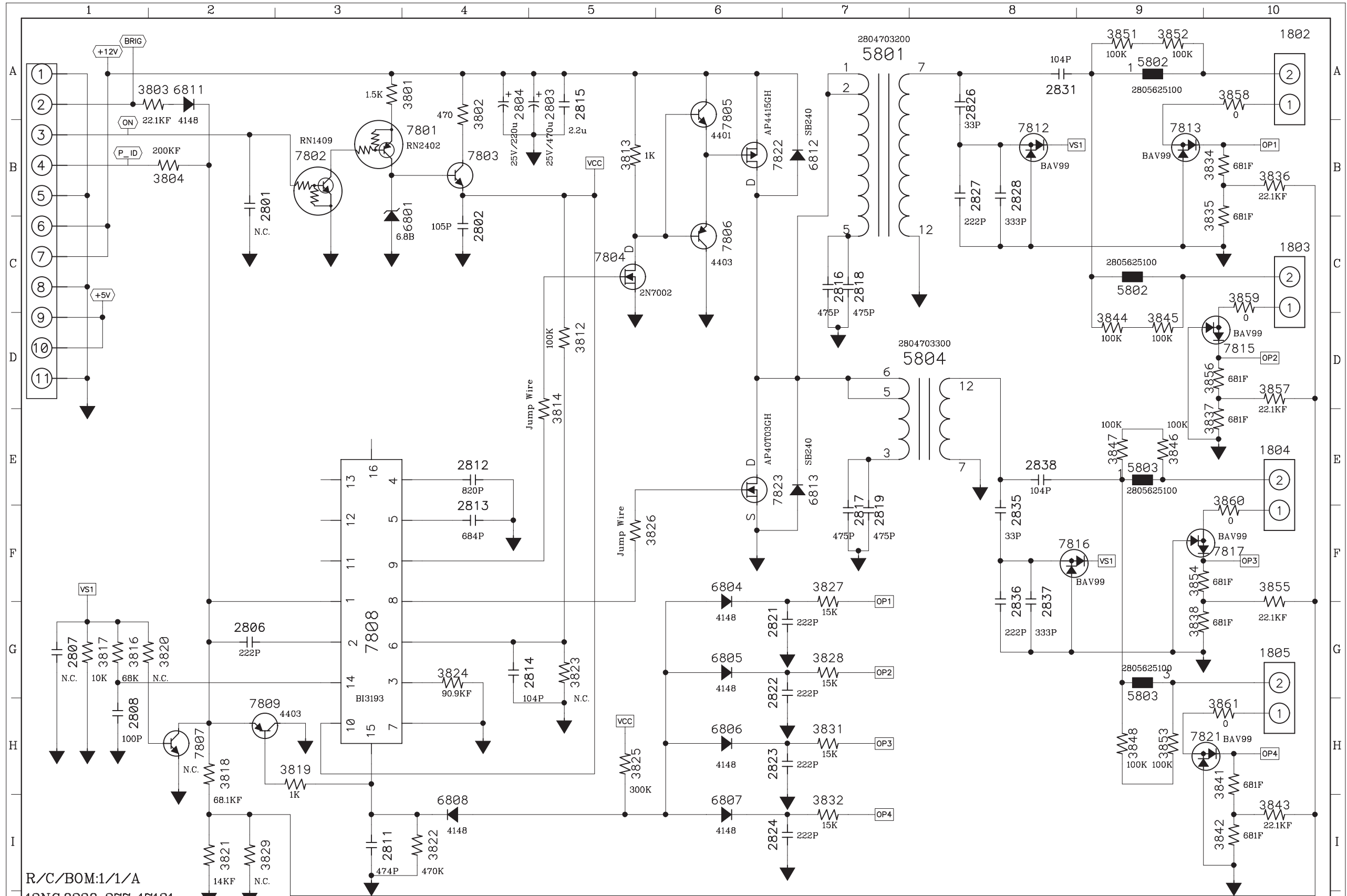
Date: 12/08/04  
 LY.REV.(R/C) 1/0 Drawn: MAY  
 PWB:EADP-43AF A  
 2941012401 FILE NAME: SC-E43AF A  
 DESCRIPTION:SCHEMATIC OF  
 AC --> DC ADAPTOR

Checked  
 鄭宇凱  
 12/08/04

Approved  
 江碩桓  
 12/08/04

PART NO. EADP-43AF A  
 REV. S00  
 SHEET 01 OF 02

# Power Board Schematic Diagram (170S6/190S6) - Delta



R/C/BOM:1/1/A  
12NC:8238 277 17131



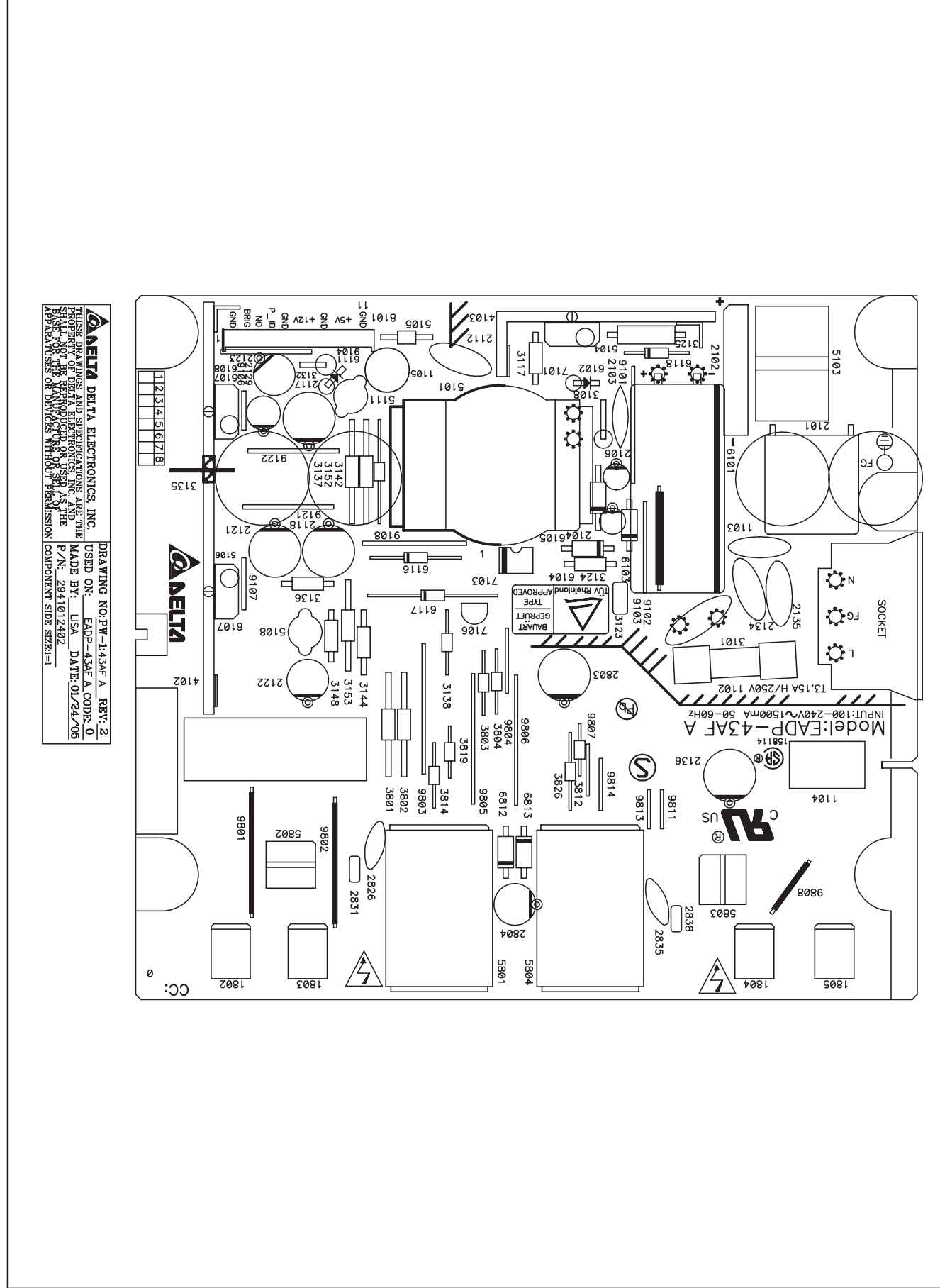
THESE DRAWINGS AND SPECIFICATIONS ARE THE PROPERTY OF DELTA ELECTRONICS, INC AND SHALL NOT BE REPRODUCED OR USED AS THE BASIS FOR THE MANUFACTURE OR SELL OF APPARATUSES OR DEVICES WITHOUT PERMISSON.

Date: 12/08/04  
LY.REV.(R/C) 1/0  
Drawn: MAY  
Checked  
Approved  
PART NO.  
REV.  
SHEET

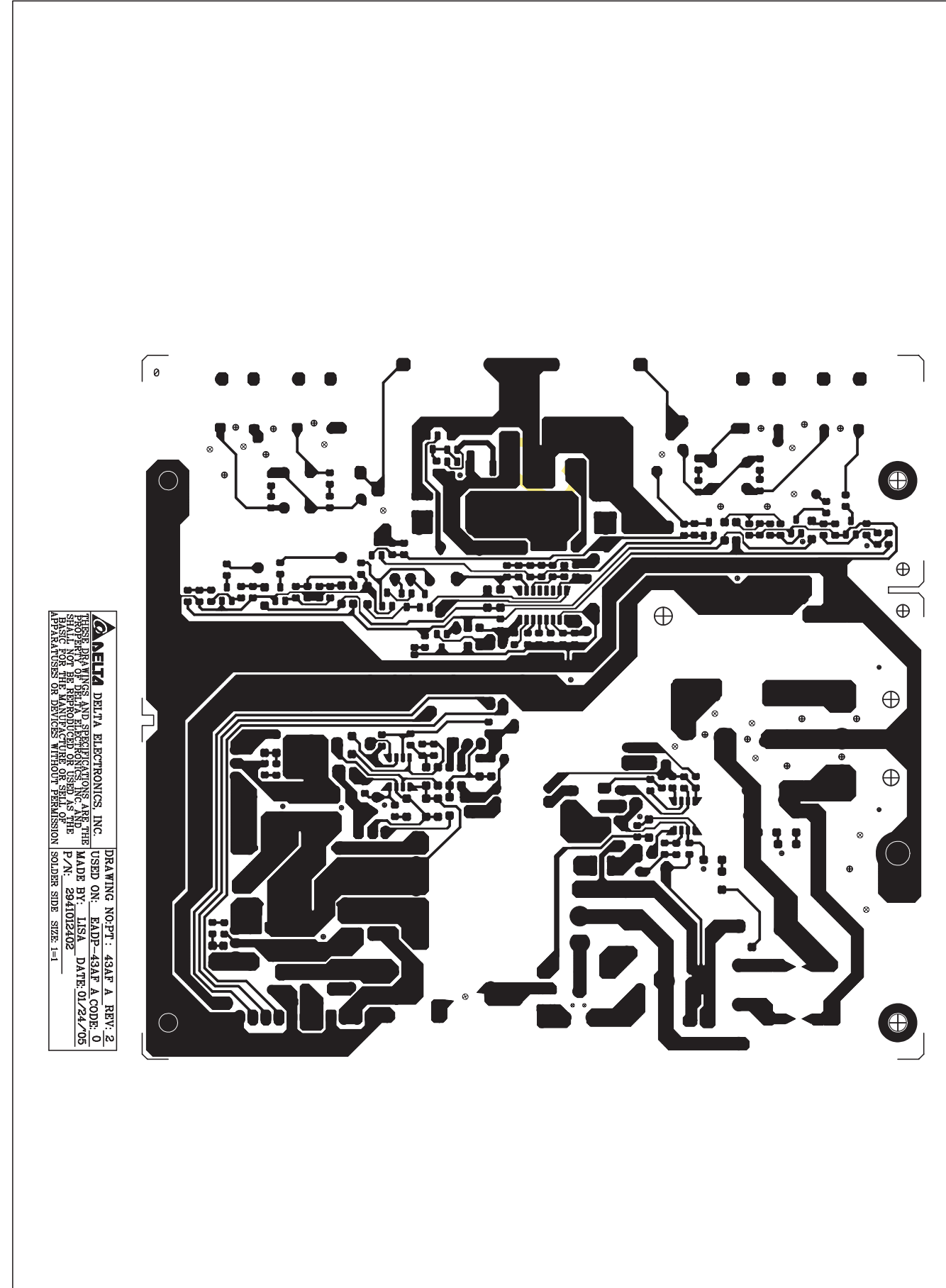
鄭宇凱  
江碩桓  
12/08/04  
12/08/04

DESCRIPTION:SCHEMATIC OF  
AC --> DC ADAPTOR  
EADP-43AF A  
S00  
02 OF 02

Power Board C.B.A (170S6/190S6) - Delta

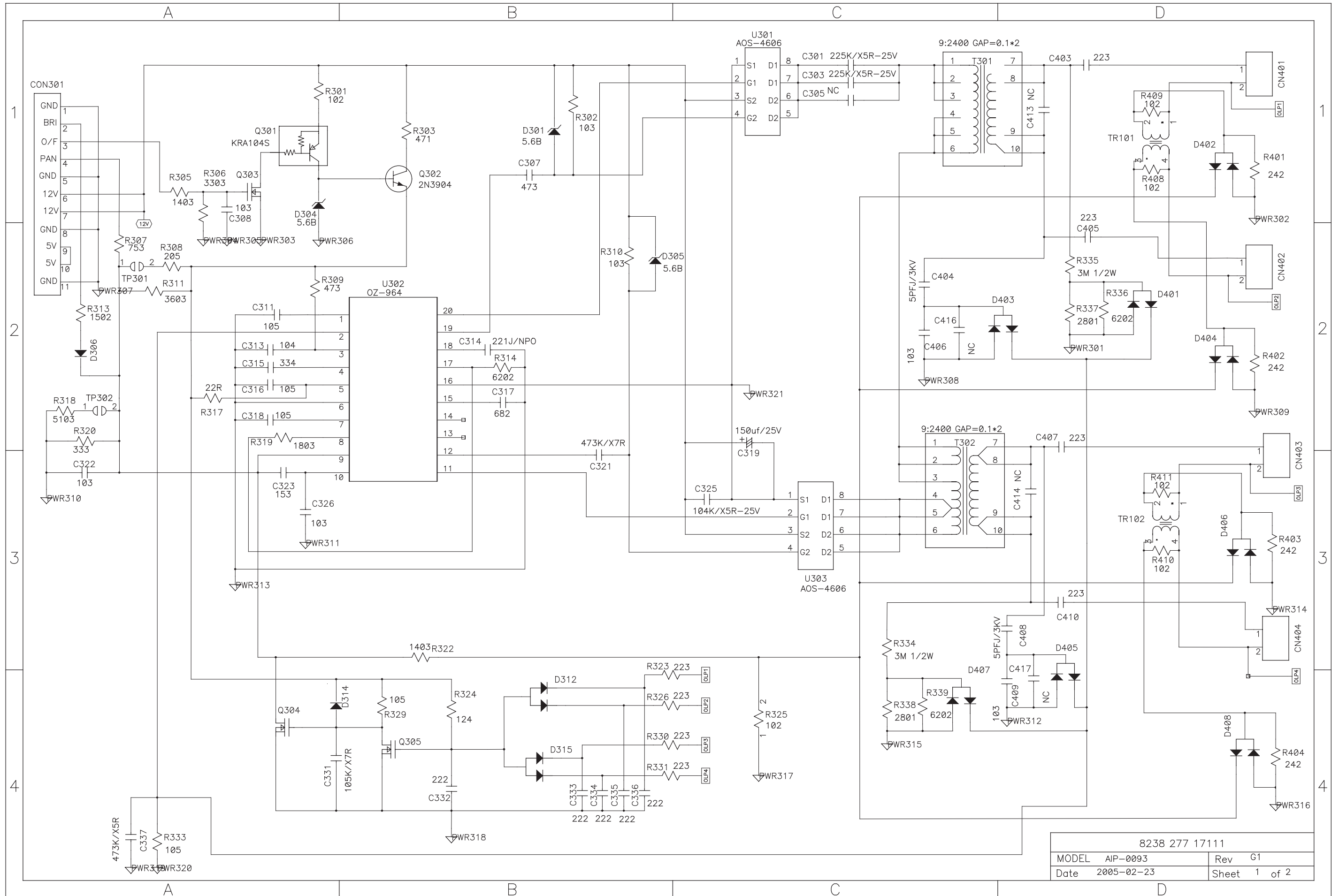


DELTA DELTA ELECTRONICS, INC.  
 THESE DRAWINGS AND SPECIFICATIONS ARE THE PROPERTY OF DELTA ELECTRONICS, INC. AND SHALL NOT BE REPRODUCED OR USED AS THE BASIS FOR THE MANUFACTURE OR SALE OF THE APPLIANCES OR DEVICES WITHOUT PERMISSION COMPONENT SIZE: 1-1

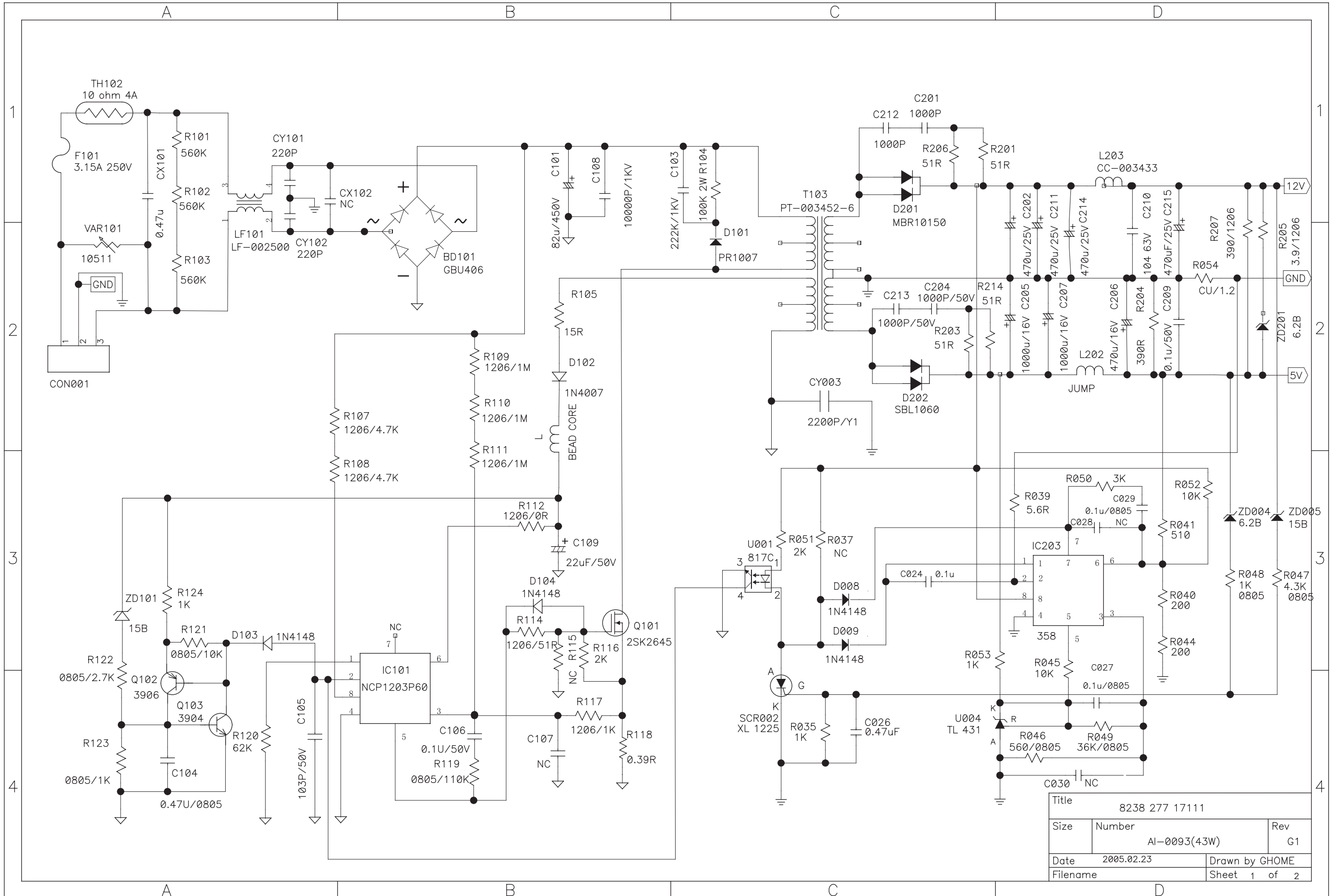


DELTA DELTA ELECTRONICS, INC.  
 THESE DRAWINGS AND SPECIFICATIONS ARE THE PROPERTY OF DELTA ELECTRONICS, INC. AND SHALL NOT BE REPRODUCED OR USED AS THE BASIS FOR THE MANUFACTURE OR SALE OF THE APPLIANCES OR DEVICES WITHOUT PERMISSION SOLDER SIDE SIZE: 1-1

# Power Schematic Diagram (170S6/190S6) - Lien Chang



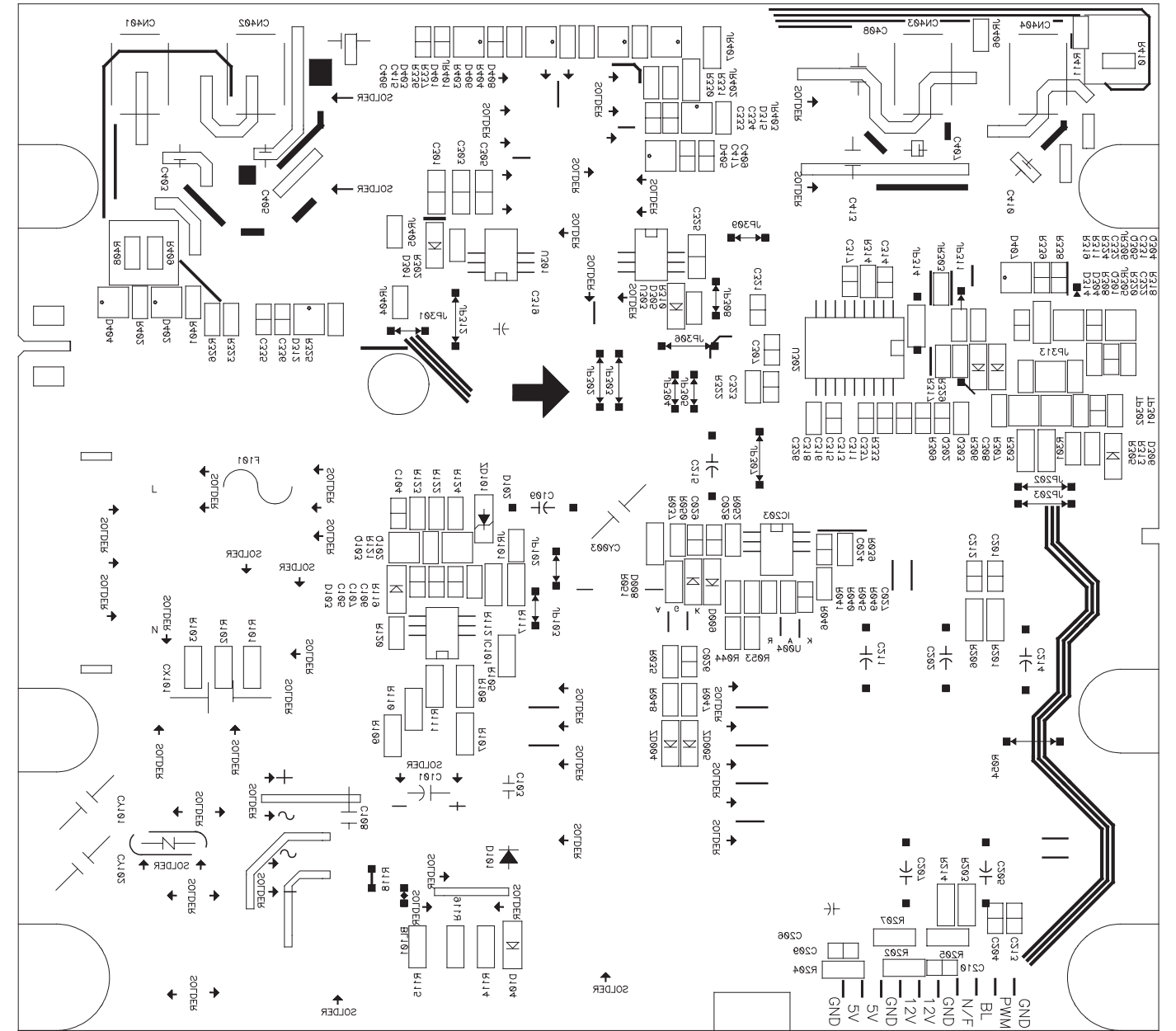
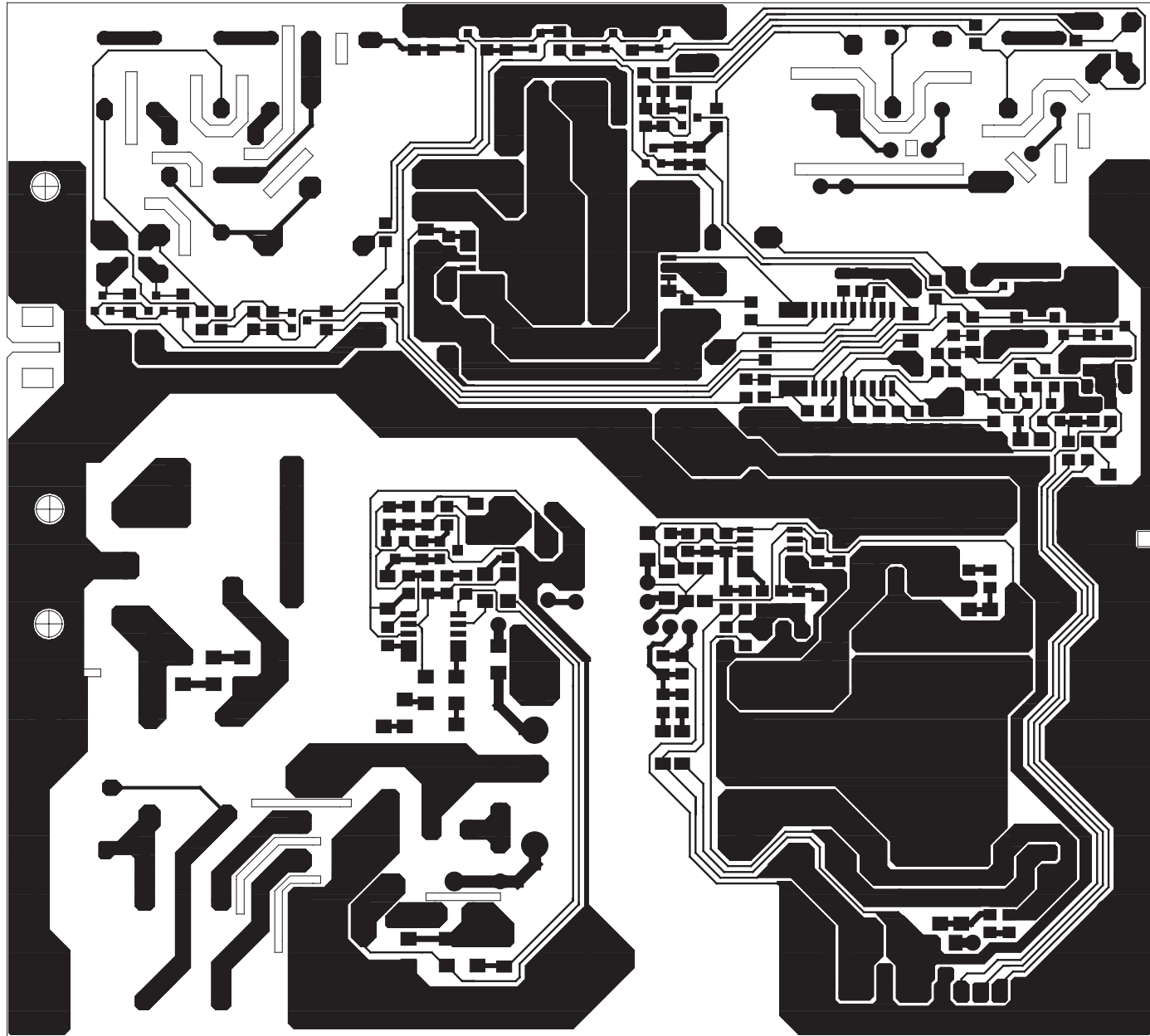
# Power Schematic Diagram (170S6/190S6) - Lien Chang



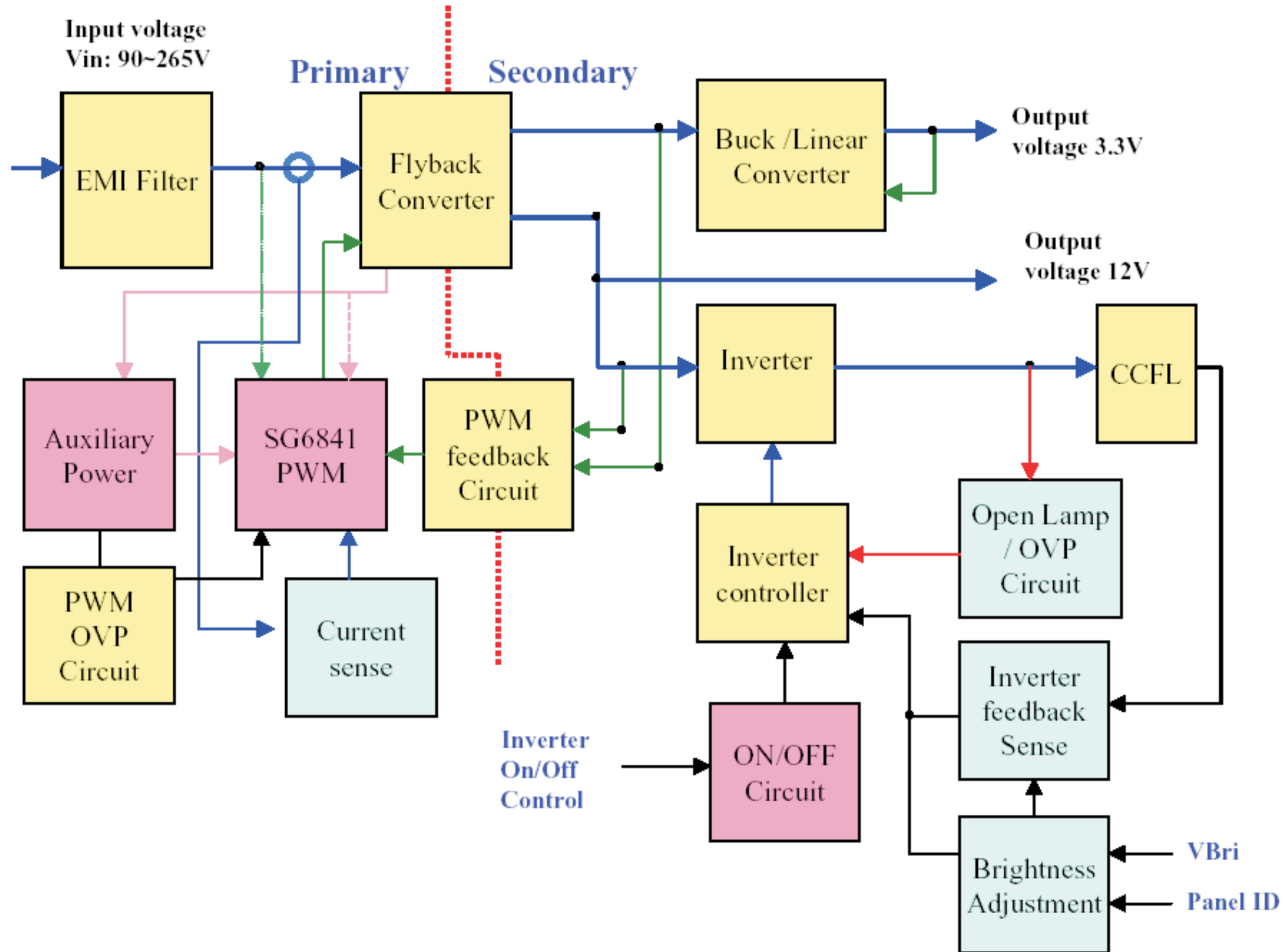
Title 8238 277 17111		
Size	Number AI-0093(43W)	Rev G1
Date 2005.02.23	Drawn by GHOME	
Filename	Sheet 1 of 2	



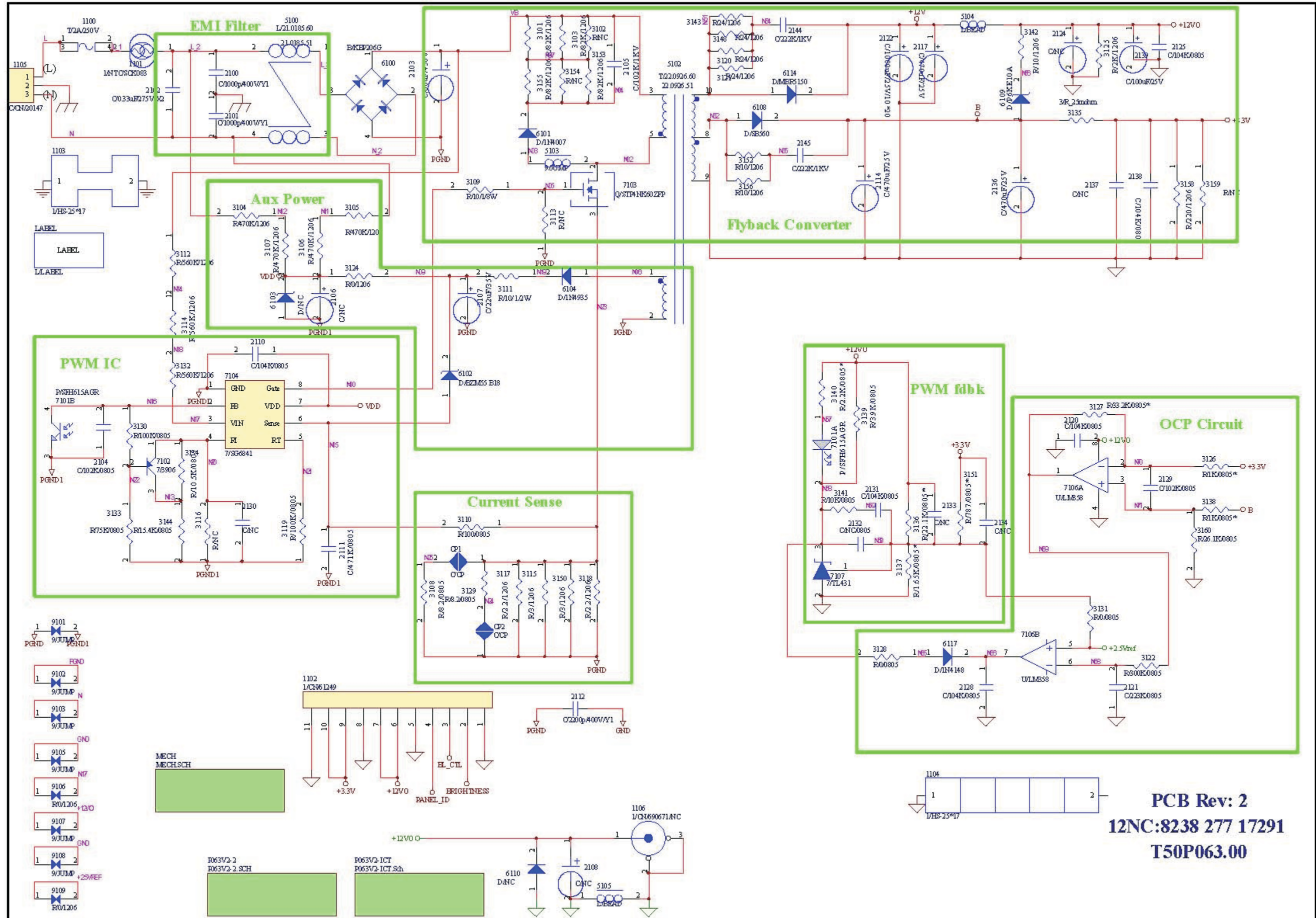
AIP-0093



# 150S6 LIPS Block Diagram\_Foxconn

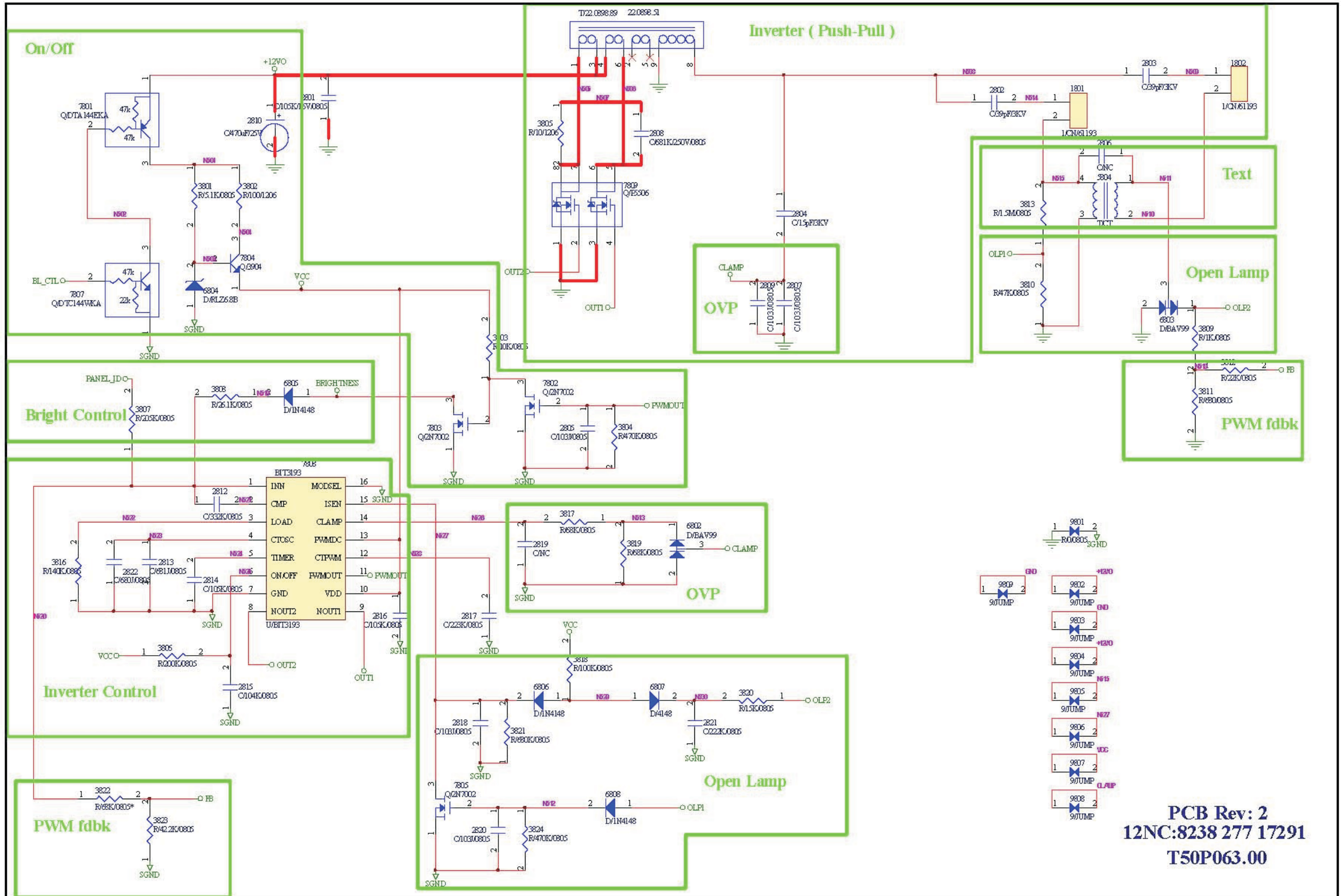


AC/DC Function Block Schematic(Foxconn)



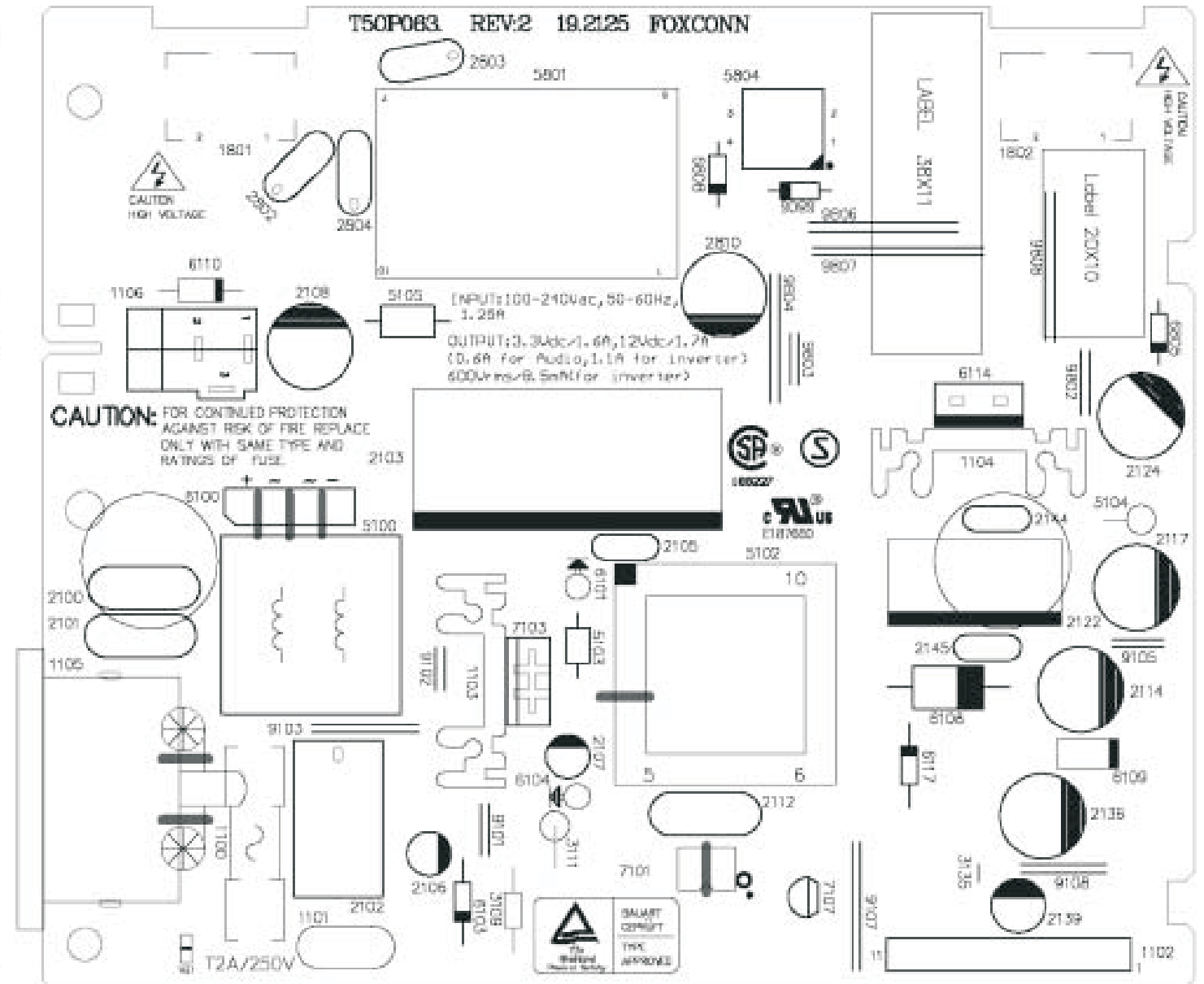
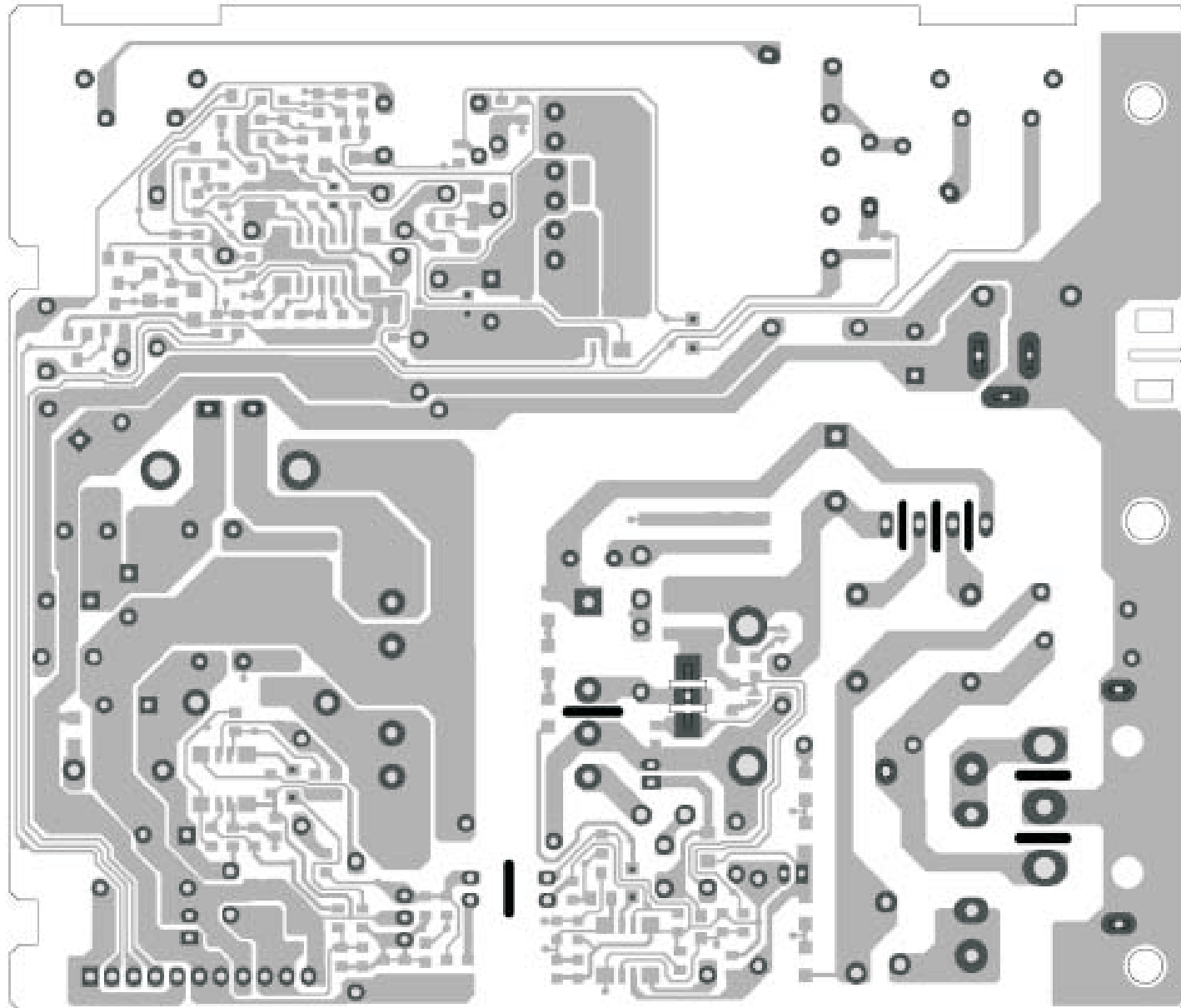
PCB Rev: 2  
12NC:8238 277 17291  
T50P063.00

Inverter Function Block Schematic

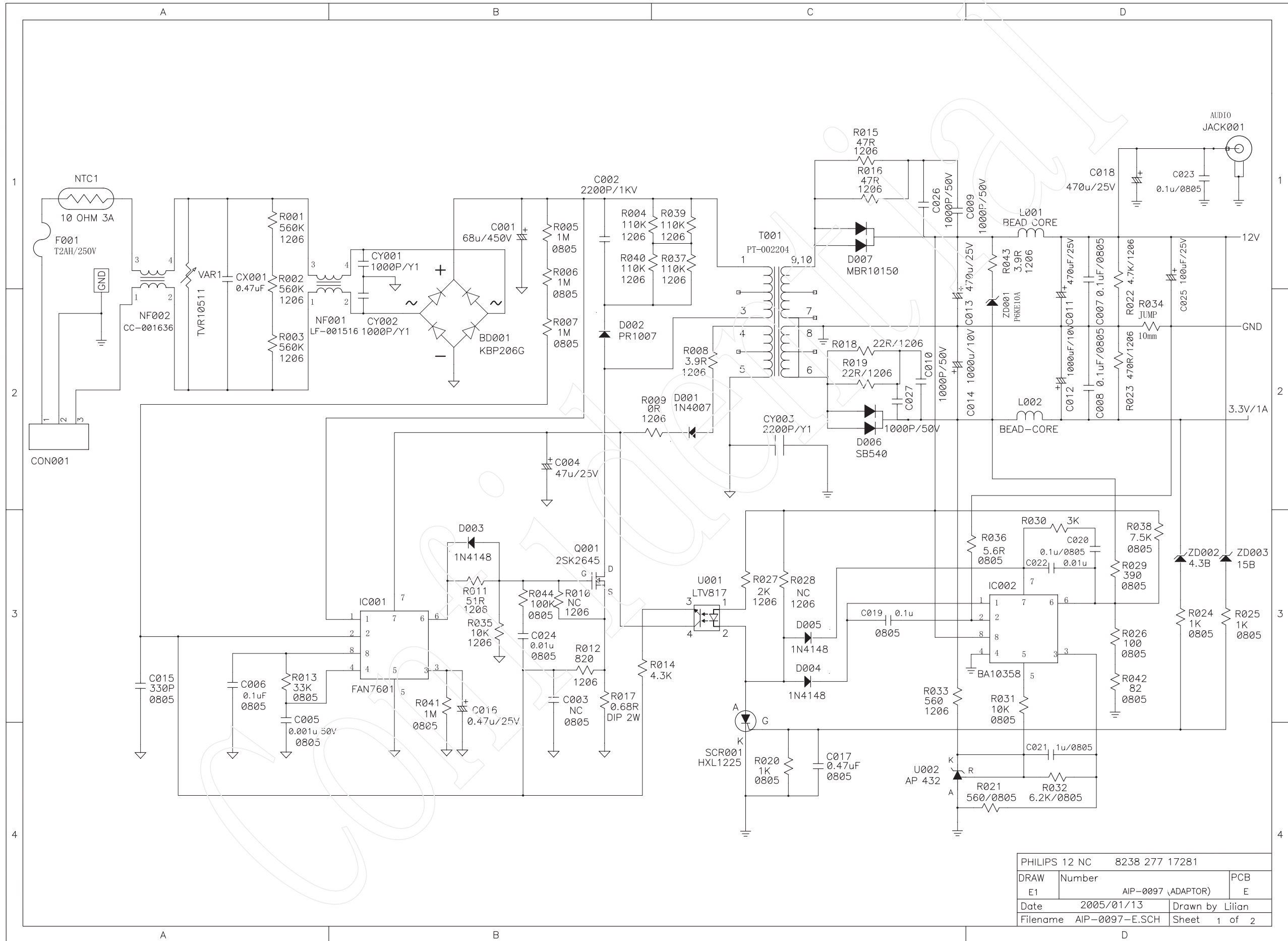


PCB Rev: 2  
12NC:8238 277 17291  
T50P063.00

# T50P063

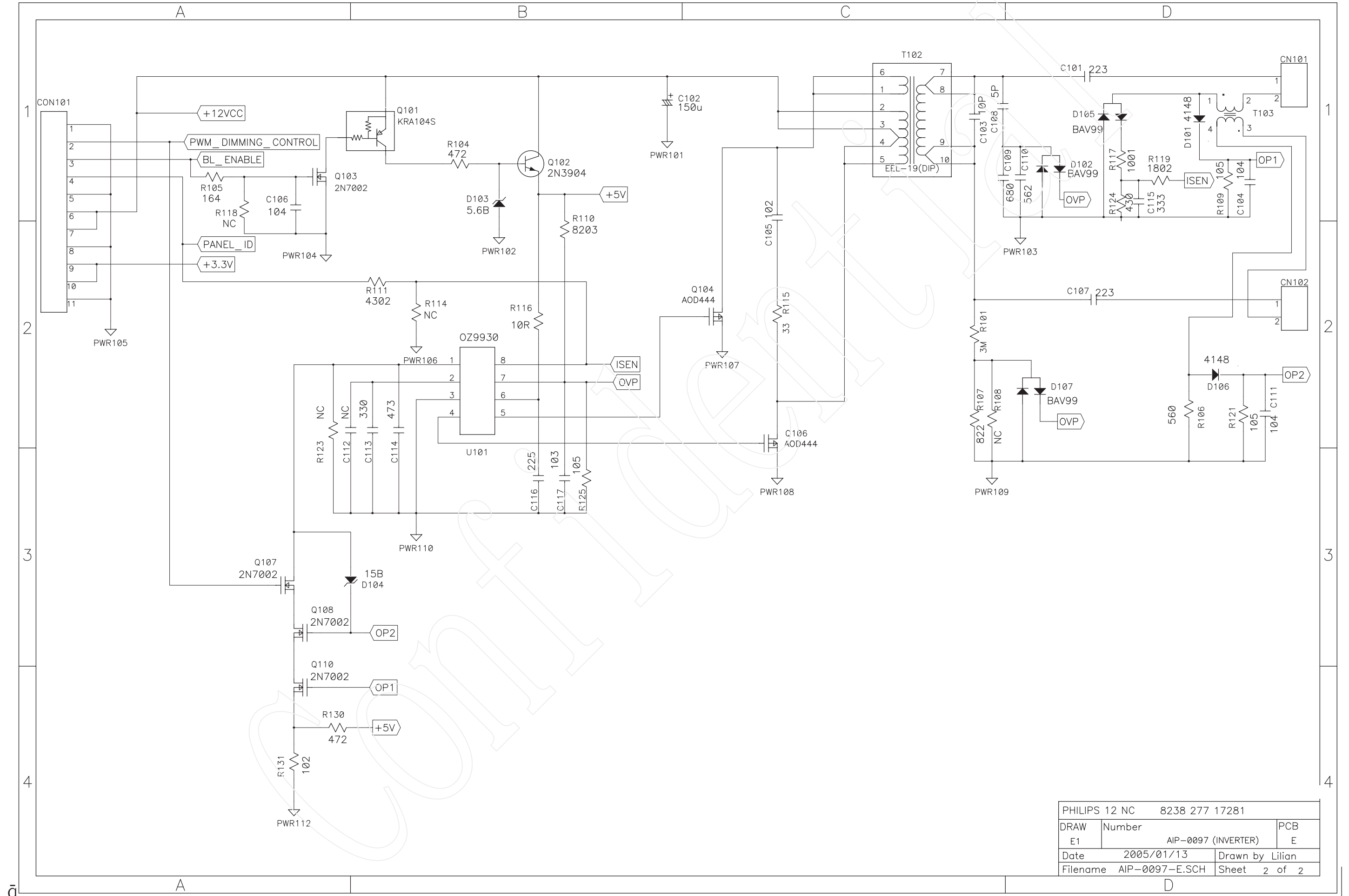


# Power Schematic Diagram (150S6) - Lien Chang



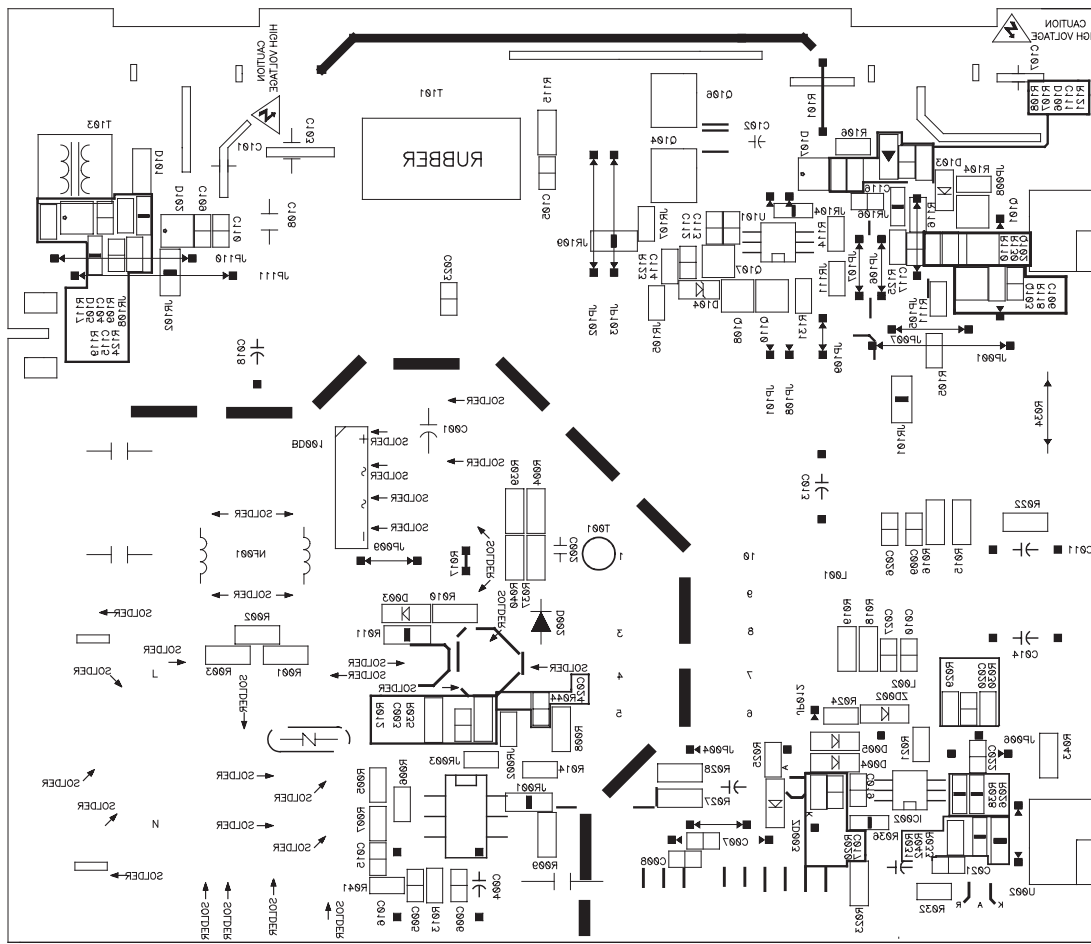
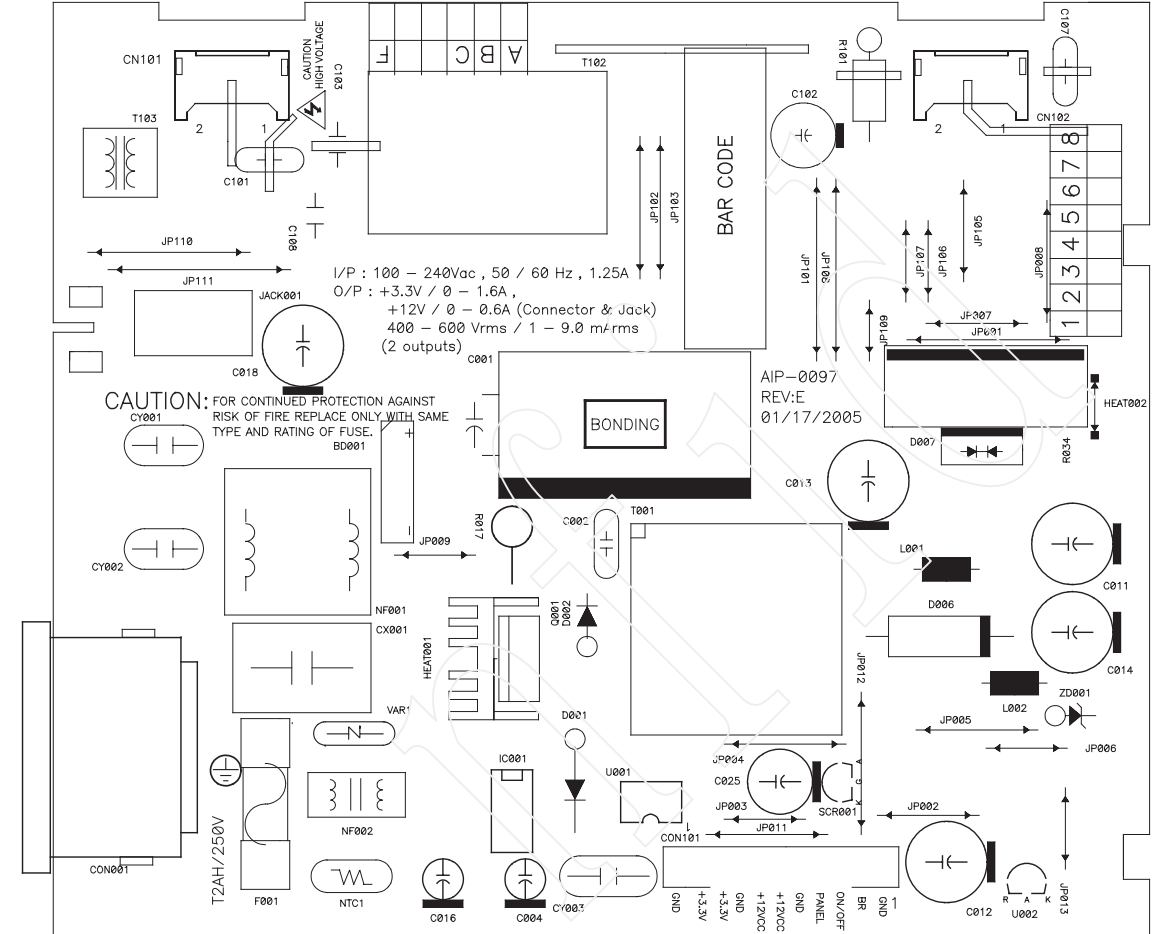
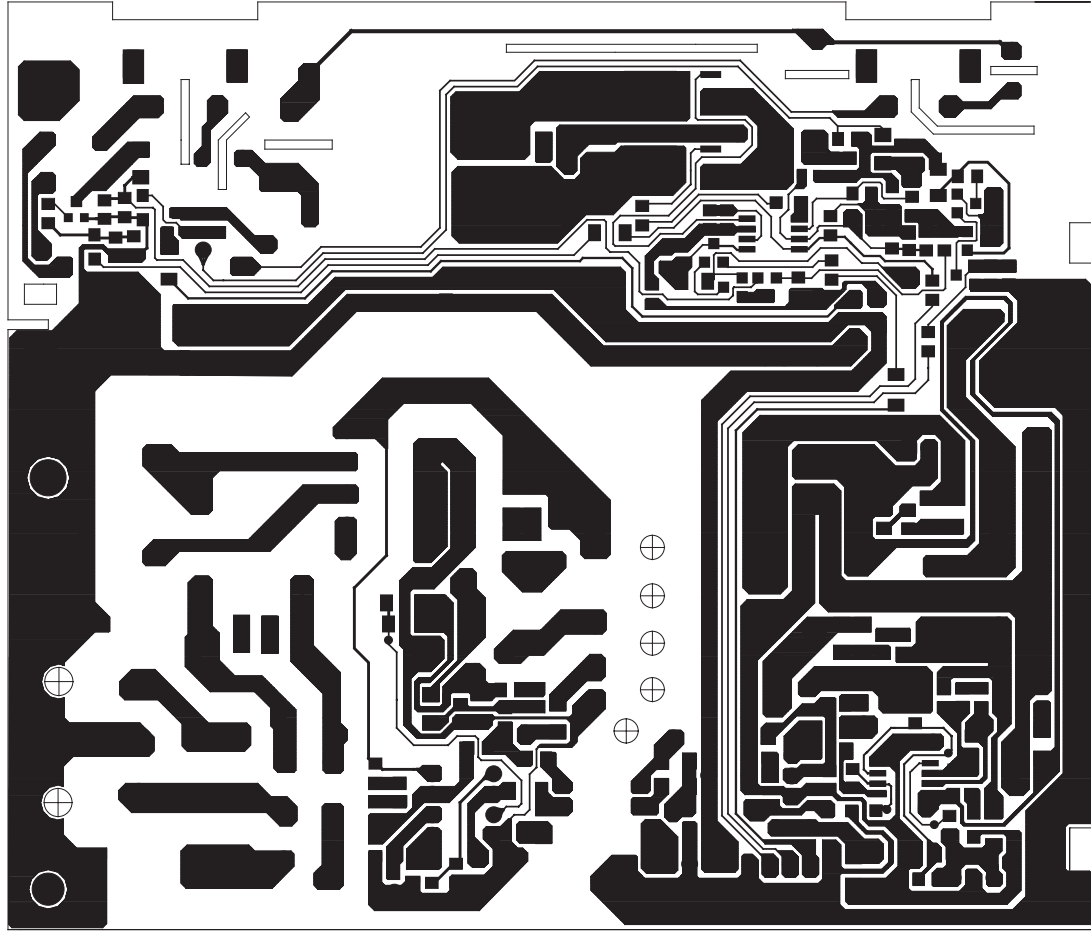
PHILIPS 12 NC 8238 277 17281		
DRAW	Number	PCB
E1	AIP-0097 (ADAPTOR)	E
Date	2005/01/13	Drawn by Lilian
Filename	AIP-0097-E.SCH	Sheet 1 of 2

# Power Schematic Diagram(150S6) - Lien Chang



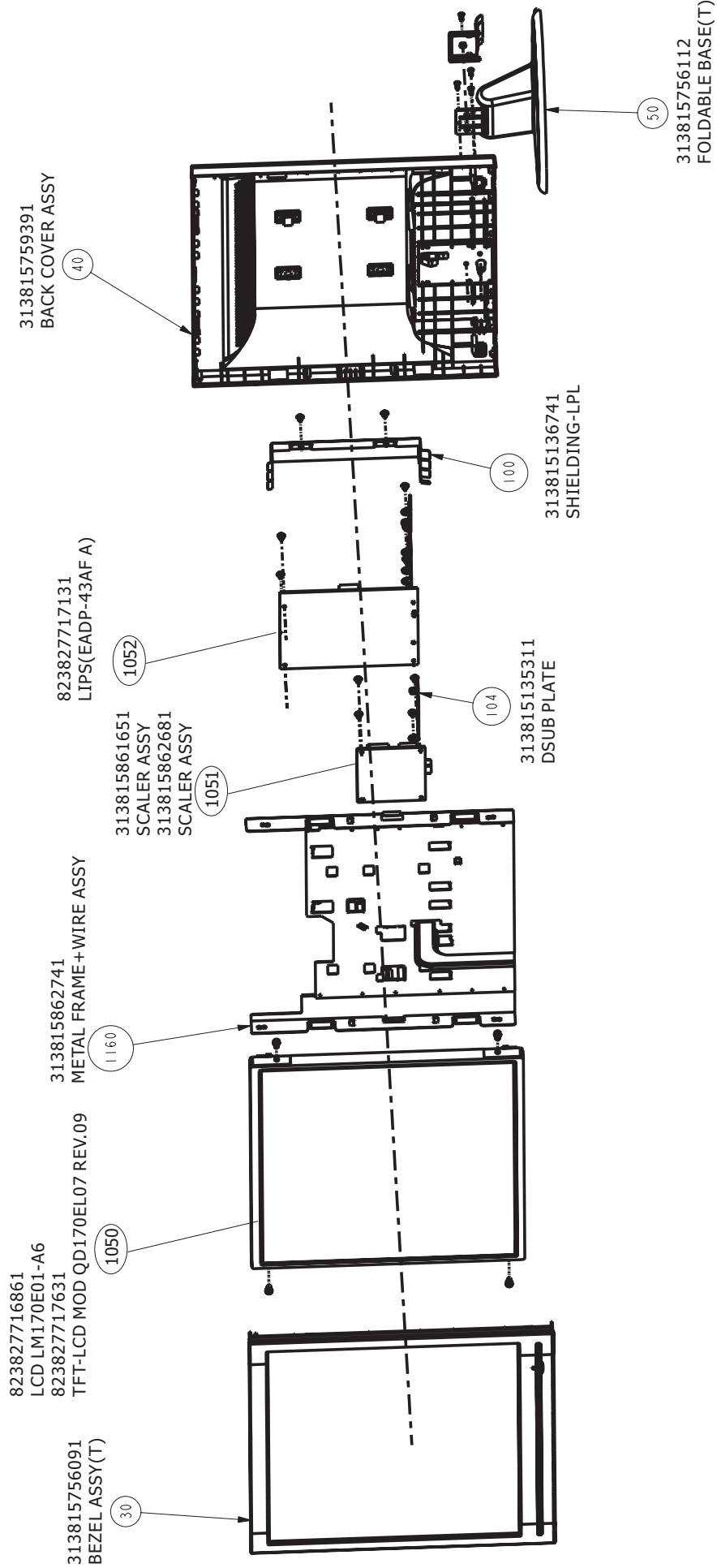
PHILIPS 12 NC 8238 277 17281	
DRAW E1	Number AIP-0097 (INVERTER) PCB E
Date 2005/01/13	Drawn by Lilian
Filename AIP-0097-E.SCH	Sheet 2 of 2

AIP-0097





# Exploded View - 170S6









Diversity of 170S6FB/00 compared with 170S6FG/00		
Item	12NC	Description
	863900016142	170S6FB/00
0030	313815756981	BEZEL ASSY(B)
0031	313815412762	BEZEL(B)
0040	313815759461	BACK COVER ASSY (B)
0041	313815412783	BACK COVER(B)
0043	313815410901	INSULATE PLATE
0044	313815133511	VESA PLATE
0050	313815756862	FOLDABLE BASE(B)
0101	313815412451	HINGE COVER(B)
1157	313817875311	MAINSKORD IEC 10A 1M5 DET BK
1158	313819871182	CORD SUB-D 15/1M8/SUB-D 15 BK
Diversity of 170S6FB/27 compared with 170S6FG/00		
Item	12NC	Description
	863900016144	170S6FB/27
0030	313815756981	BEZEL ASSY(B)
0031	313815412762	BEZEL(B)
0040	313815759461	BACK COVER ASSY (B)
0041	313815412783	BACK COVER(B)
0043	313815410901	INSULATE PLATE
0044	313815133511	VESA PLATE
0050	313815756862	FOLDABLE BASE(B)
0101	313815412451	HINGE COVER(B)
1157	313812874881	MAIN CORD
1158	313819871182	CORD SUB-D 15/1M8/SUB-D 15 BK

Diversity of 170S6FG/27 compared with 170S6FG/00		
Item	12NC	Description
	863900016152	170S6FG/27
1157	313811876421	MAINSKORD UL 10A 1M5 DET TDS
0043	313815410901	INSULATE PLATE
0044	313815133511	VESA PLATE
Diversity of 170S6FS/00 compared with 170S6FG/00		
Item	12NC	Description
	863900016146	170S6FS/00
0030	313815757001	BEZEL ASSY(S)
0031	313815412772	BEZEL (S)
0040	313815759461	BACK COVER ASSY (B)
0041	313815412783	BACK COVER(B)
0043	313815410901	INSULATE PLATE
0044	313815133511	VESA PLATE
0050	313815756872	FOLDABLE BASE(S)
0101	313815412881	HINGE COVER(S)
0103	313815137291	AC BRACKET
0104	313815135311	DSUB PLATE
0106	313815320891	AL EMI PLATE
0126	313815566341	RATING LABEL
1157	313817875311	MAINSKORD IEC 10A 1M5 DET BK
1158	313819871182	CORD SUB-D 15/1M8/SUB-D 15 BK

## Different Parts List - 150S6

Diversity of 150S6FB/00 compared with 150S6FG/00		
Item	12NC	Description
	863900016089	150S6FB/00
0030	313815756441	BEZEL ASSY(B)
0031	313815412421	BEZEL(B)
0040	313815759701	BACK COVER ASSY
0041	313815412442	BACK COVER(B)
0050	313815756432	FOLDABLE BASE(B)
0101	313815412451	HINGE COVER(B)
1157	242207000075	MAINSCORD IEC 10A 1M5 DET 3P B
1158	313819871182	CORD SUB-D 15/1M8/SUB-D 15 BK
Diversity of 150S6FB/27 compared with 150S6FG/00		
Item	12NC	Description
	863900016099	150S6FB/27
0030	313815756441	BEZEL ASSY(B)
0031	313815412421	BEZEL(B)
0040	313815759701	BACK COVER ASSY
0041	313815412442	BACK COVER(B)
0050	313815756432	FOLDABLE BASE(B)
0101	313815412451	HINGE COVER(B)
1157	242207000076	MAINSCORD UL 10A 1M5 DET 3P B
1158	313819871182	CORD SUB-D 15/1M8/SUB-D 15 BK

Diversity of 150S6FG/27 compared with 150S6FG/00		
Item	12NC	Description
0301	313815136751	MAIN FRAME
1157	313811876421	MAINSCORD UL 10A 1M5 DET TDS
Diversity of 150S6FS/00 compared with 150S6FG/00		
Item	12NC	Description
0030	313815756451	BEZEL ASSY(S)
0031	313815412431	BEZEL(S)
0040	313815759701	BACK COVER ASSY
0041	313815412442	BACK COVER(B)
0050	313815756802	FOLDABLE BASE(S)
0101	313815412881	HINGE COVER(S)

# Different Parts List - 190S6

Diversity of 190S6FB/00 compared with 190S6FG/00		
Item	12NC	Description
	863900016185	190S6FB/00
0030	313815759761	FRONT BEZEL ASSY(B)
0031	313815412912	BEZEL (B)
0032	313815413031	STRIP-DECORATION (B)
0033	313815411871	BUTTON-CONTROL
0040	313815759771	BACK COVER ASSY(B)
0041	313815416321	BACK COVER(B)
0042	313815411891	PLATE-VENT
0050	313815757851	FOLDABLE BASE(B)
0092	313815414271	HINGE COVER(B)
1157	313817875311	MAINSCORD IEC 10A 1M5 DET BK
1158	313819871182	CORD SUB-D 15/1M8/SUB-D 15 BK

Diversity of 190S6FB/27 compared with 190S6FG/00		
Item	12NC	Description
	863900016186	190S6FB/27
0030	313815759761	FRONT BEZEL ASSY(B)
0031	313815412912	BEZEL (B)
0032	313815413031	STRIP-DECORATION (B)
0033	313815411871	BUTTON-CONTROL
0040	313815759771	BACK COVER ASSY(B)
0041	313815416321	BACK COVER(B)
0042	313815411891	PLATE-VENT
0050	313815757851	FOLDABLE BASE(B)
0092	313815414271	HINGE COVER(B)
1157	242207000076	MAINSCORD UL 10A 1M5 DET 3P B
1158	313819871182	CORD SUB-D 15/1M8/SUB-D 15 BK

Diversity of 190S6FG/93 compared with 190S6FG/00		
Item	12NC	Description
	863900016177	190S6FG/93
0030	313815760001	FRONT BEZEL ASSY(T)
0031	313815416651	BEZEL(T)
0450	313815640321	CARTON
1157	242207000024	MAINSCORD CHN 10A 1M53 DET 3P
8161	313819875072	CBLE-267A 7/230/7-267A AWG28

Diversity of 190S6FS/00 compared with 190S6FG/00		
Item	12NC	Description
	863900016181	190S6FS/00
0030	313815759741	FRONT BEZEL ASSY(S)
0031	313815412922	BEZEL (S)
0033	313815411931	BUTTON-CONTROL
0040	313815759751	BACK COVER ASSY(S)
0041	313815416311	BACK COVER(S)
0042	313815411951	PLATE-VENT
0050	313815757861	FOLDABLE BASE(S)
0092	313815414281	HINGE COVER(S)
1157	313817875311	MAINSCORD IEC 10A 1M5 DET BK
1158	313819871182	CORD SUB-D 15/1M8/SUB-D 15 BK

Diversity of 190S6FS/27 compared with 190S6FG/00		
Item	12NC	Description
	863900016184	190S6FS/27
0030	313815759741	FRONT BEZEL ASSY(S)
0031	313815412922	BEZEL (S)
0033	313815411931	BUTTON-CONTROL
0040	313815759751	BACK COVER ASSY(S)
0041	313815416311	BACK COVER(S)
0042	313815411951	PLATE-VENT
0050	313815757861	FOLDABLE BASE(S)
0092	313815414281	HINGE COVER(S)
1157	242207000076	MAINSCORD UL 10A 1M5 DET 3P B
1158	313819871182	CORD SUB-D 15/1M8/SUB-D 15 BK

Diversity of 190S6FS/96 compared with 190S6FG/00		
Item	12NC	Description
	863900016261	190S6FS/96
0030	313815759741	FRONT BEZEL ASSY(S)
0031	313815412922	BEZEL (S)
0033	313815411931	BUTTON-CONTROL
0040	313815759751	BACK COVER ASSY(S)
0041	313815416311	BACK COVER(S)
0042	313815411951	PLATE-VENT
0050	313815757861	FOLDABLE BASE(S)
0092	313815414281	HINGE COVER(S)
1157	242207000076	MAINSCORD UL 10A 1M5 DET 3P B
1158	313819871182	CORD SUB-D 15/1M8/SUB-D 15 BK
8161	313819875072	CBLE-267A 7/230/7-267A AWG28