

Service Manual

DVD Stereo System



Remote Control Transmitter

SB-VK61

SA-VK61D

SA-VK61DGS

Colour

(S)... Silver Type

Specifications

■ AMPLIFIER SECTION

RMS Output Power both channel driven: 10 % Total Harmonic Distortion

1 kHz Front CH 100 W per channel (6 Ω)

Total RMS Dolby Digital Mode Power 200 W

PMPO Output Power 2200 W

■ FM/AM TUNER, TERMINALS SECTION

Preset station FM 15 stations
AM 15 stations

FM Frequency range 87.50 - 108.00 MHz (50 kHz step)

Sensitivity 2.5 μ V (IHF)

S/N 26dB 2.2 μ V

Antenna terminals 75 Ω (unbalanced)

AM Frequency range 522 - 1629 kHz (9 kHz step)
520 - 1630 kHz (10 kHz step)

AM Sensitivity S/N 20dB at 999 kHz 560 μ V/m

Audio performance (Amplifier)

Input sensitivity/Input impedance

Aux 250 mV, 13.3 k Ω

Digital audio output

Optical digital output Optical terminal

Phone jack

Terminal Stereo, 3.5 mm jack

Mic jack

Sensitivity 0.7 mV, 680 Ω

■ CASSETTE DECK SECTION

Track system 4 Track, 2 Channel

Heads

Record/playback Solid permalloy head

Erasure Double gap ferrite head

Motor DC servo motor

Recording system AC bias 100 kHz

Erasing system AC erase 100 kHz

Tape speed 4.8 cm/s

Overall frequency response (+3, -6 dB) at DECK OUT

Normal (TYPE I) 35 Hz - 14 kHz

S/N ratio 50 dB (A weighted)

Wow and flutter 0.18% (WRMS)

Fast forward and rewind time Approx. 120 seconds with

C-60 cassette tape

■ DISC SECTION

Disc played [8 cm or 12 cm]

(1) DVD-RAM (DVD- VR compatible, JPEG formatted discs)

(2) DVD-Audio

(3) DVD-Video

(4) DVD-R (DVD-Video compatible)

(5) CD-Audio (CD-DA)

Panasonic

© 2004 Panasonic AVC Networks Singapore Pte. Ltd. (RCB Registration Number: 197701580H) All rights reserved. Unauthorized copying and distribution is a violation of law.

(6) Video CD	
(7) SVCD (Conforming to IEC62107)	
(8) CD-R/CD-RW (CD-DA, Video CD, SVCD, MP3, WMA, JPEG formatted disc)	
(9) MP3/ WMA	
• Compatible compression rate:	
MP3: between 32 kbps and 320 kbps	
WMA: between 48 kbps and 192 kbps	
(10) JPEG	
• Exif Ver 2.1 JPEG Baseline files	
(11) HighMAT Level 2 (Audio and Image)	
Sampling frequency	
CD	44.1 kHz
MP3	32 kHz, 44.1 kHz, 48 kHz
DVD-Video	48 kHz, 96 kHz
DVD-Audio	44.1 kHz - 192 kHz
Decoding	16/20/24 bit linear
Wow and flutter	Less than possible measurement data
Digital filter	8 fs
D/A converter	Delta sigma DAC
Pick up	
Wavelength	
CD	780 nm
DVD	658 nm
Beam Source	Semiconductor Laser
Audio output (Disc)	
Number of channels	2 ch (stereo)
Audio performance (measured at LINE OUT terminal)	
Frequency response	
CD-Audio	20 Hz - 20 kHz (+1, -2dB)

▮ VIDEO SECTION

Video system	PAL625/50, PAL525/60, NTSC
Composite video output	
Output level	1 Vp-p (75 Ω)
Terminal	Pin jack (1 system)
S-video output	
Y output level	1 Vp-p (75 Ω)
C output level	0.3 Vp-p (75 Ω) (PAL) 0.286 Vp-p (75 Ω) (NTSC)
Terminal	S terminal (1 system)
Component video output	
Y output level	1 Vp-p (75 Ω)
P _B output level	0.7 Vp-p (75 Ω)
P _R output level	0.7 Vp-p (75 Ω)
Terminal	Pin jack (Y: green, P _B : blue, P _R : red) (1 system)

▮ GENERAL

Power supply	AC 110V/127V/220-230V/240V, 50/60Hz
Power consumption	146 W
Power consumption in standby mode:	0.9 W
Dimensions (WxHxD)	250 x 330 x 358 mm
Mass	9.1 kg

▮ SYSTEM

SC-VK61D(GS)	Music Center: SA-VK61D (GS) Speaker: SB-VK61 (GC)
--------------	--

Notes:

1. Specifications are subject to change without notice. Mass and dimensions are approximate.
2. Total harmonic distortion is measured by the digital spectrum analyzer.

 **WARNING**

This service information is designed for experienced repair technicians only and is not designed for use by the general public. It does not contain warnings or cautions to advise non-technical individuals of potential dangers in attempting to service a product. Products powered by electricity should be serviced or repaired only by experienced professional technicians. Any attempt to service or repair the product or products dealt with in this service information by anyone else could result in serious injury or death.

CONTENTS

	Page		Page
1 Safety precautions	4	8 Precaution of Laser Diode	8
2 Before Repair and Adjustment	4	9 Accessories	9
3 Protection Circuitry	4	10 Operation Procedures	10
4 Safety Precautions	5	11 Disc information	12
4.1. General Guidelines	5	12 About HighMAT	14
5 Prevention of Electro Static Discharge (ESD) to Electrostatically Sensitive (ES) Devices	5	12.1. What is HighMAT?	14
6 Handling the Lead-free Solder	6	12.2. Why use HighMAT?	14
6.1. About lead free solder (PbF)	6	12.3. The advantages of using HighMAT	14
7 Cautions to be taken when handling Optical Pickup	7	12.4. Outline of the HighMAT standard	15
7.1. Handling Optical Pickup	7	13 Procedure for repairing the set	17
7.2. Replacing Precautions for Optical Pickup Unit	7	13.1. Distinguish the trouble cause	18
7.3. Grounding for Preventing Electrostatic Destruction	7	13.2. Diagnosis of Optical Pick-up Unit	20
		14 Optical Pickup Self-Diagnosis and Replacement Procedure	22

14.1. Self-diagnosis	22	20.2. (B) DVD Module (2) Circuit	71
14.2. Cautions to Be Taken During Replacement of Optical Pickup and Spindle Motor	23	20.3. (C) Main Circuit & (D) Tuner Extent Circuit	82
15 Self-Diagnosis Function	24	20.4. (E) Panel Circuit, (F) LED Circuit & (G) Tact Switch Circuit	94
15.1. Automatic Displayed Error Codes	24	20.5. (H) Tuner Circuit	98
15.2. Memorized Error Codes	24	20.6. (J) Deck Circuit & (K) Deck Mechanism Circuit	100
15.3. Mode Table 1	24	20.7. (L) Power Supply Circuit	102
15.4. DVD/CD Self-Diagnosis Error Code Description	25	20.8. (M) Power Circuit	104
15.5. Error Codes Stored During No Play	25	20.9. (N) Transformer Circuit, (O) AC Inlet Circuit, (P) Voltage Selector Circuit, (Q) CD Loading Circuit, (R) CD Detect Circuit & (S) Spindle Position Circuit	106
15.6. Mode Table 2	25	21 Printed Circuit Board	107
15.7. Tray Lock Function	28	21.1. (A) DVD Module (1) P.C.B. (Component & Foil Side) ...	107
15.8. Things to Do After Repair	28	21.2. (B) DVD Module (2) P.C.B. (Side A & B)	108
16 Cautions To Be Taken During Servicing	29	21.3. (C) Main P.C.B.	112
16.1. Recovery after the dvd player is repaired	29	21.4. (D) Tuner Extent P.C.B., (F) LED P.C.B. & (G) Tact P.C.B.	114
16.2. DVD Player Firmware Version Upgrade Process	29	21.5. (E) Panel P.C.B.	115
16.3. Firmware Version Upgrade Process by Using Disc and Recovery Process	29	21.6. (H) Tuner P.C.B. & (I) Tuner Pack P.C.B.	117
16.4. Using Recovery Disc	29	21.7. (J) Deck P.C.B. & (K) Deck Mechanism P.C.B.	118
16.5. Total Usage Time Display	30	21.8. (L) Power Supply P.C.B.	119
17 Disassembly and Assembly of Main Component	31	21.9. (M) Power P.C.B.	121
17.1. Disassembly flow chart	31	21.10. (N) Transformer P.C.B.	123
17.2. Disassembly of Top Cabinet	32	21.11. (O) AC Inlet P.C.B. & (P) Voltage Selector P.C.B.	124
17.3. Disassembly of DVD Module (2) P.C.B.	32	21.12. (Q) CD Loading P.C.B., (R) CD Detect P.C.B. & (S) Spindle Position P.C.B.	125
17.4. Disassembly for the Top Ornament Unit	32	22 Wiring Connection Diagram	126
17.5. Disassembly for DVD changer unit	34	23 Illustration of ICs, Transistors and Diodes	128
17.6. Disassembly for Panel P.C.B., LED P.C.B. & Tact Switch P.C.B.	34	24 Terminal Function of IC	129
17.7. Disassembly of Main P.C.B., Power P.C.B., Transformer P.C.B. & Voltage Selector P.C.B.	35	24.1. IC600 (C2BBHF000076
17.8. DVD Changer Unit Main Component Replacement Procedures	37
17.9. Disassembly of Deck Mechanism Unit	50
17.10. Replacement for the cassette lid ass 馳	53) System Microprocessor	129
17.11. Counter-measure for tape trouble	54	25 Parts Location and Replacement Parts List	130
18 Measurements and Adjustments	55	25.1. Deck Mechanism (RAA3412-S)	131
18.1. Cassette Deck Section	55	25.2. CD Loading Mechanism (RD-DAC036-S)	134
18.2. Tuner Section	56	25.3. Cabinet	138
18.3. Alignment Points	57	25.4. Electrical Parts List	141
19 Block Diagram	58	25.5. Packing Materials & Accessories Parts List	154
20 Schematic Diagram	68	25.6. Packaging	155
20.1. (A) DVD Module (1) Circuit	69		

1 Safety precautions

Note on AC power supply cord (For Saudi Arabia and Kuwait only)

Before use

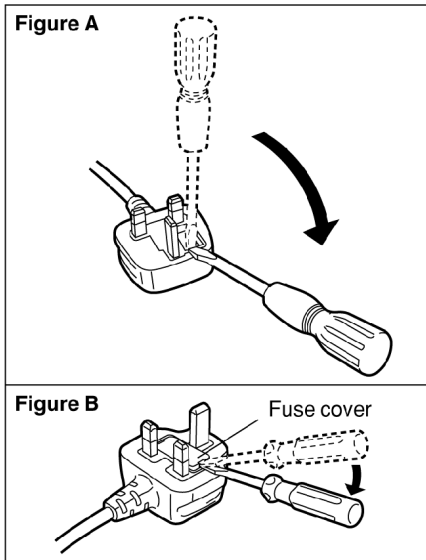
Remove the connector cover.

How to replace the fuse

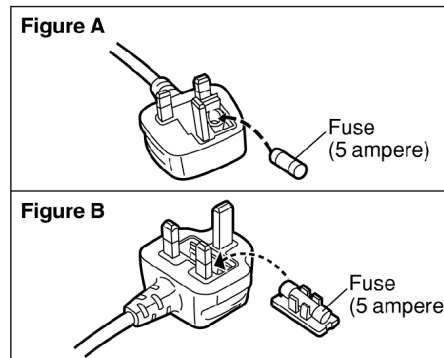
The location of the fuse differ according to the type of AC mains plug (figures A and B). Confirm the AC mains plug fitted and follow the instructions below.

Illustrations may differ from actual AC mains plug.

1. Open the fuse cover with a screwdriver.



2. Replace the fuse and close or attach the fuse cover.



2 Before Repair and Adjustment

Disconnect AC power, discharge Power Supply Capacitors C531~C534, C588~C589, C598~C599 and C954 through a 10Ω, 5W resistor to ground.

DO NOT SHORT-CIRCUIT DIRECTLY (with a screwdriver blade, for instance), as this may destroy solid state devices.

After repairs are completed, restore power gradually using a variac, to avoid overcurrent.

Current consumption at AC 110/127/220~230V, 50/60 Hz in NO SIGNAL (vol. min, at CD mode) & AC 240 V, 50 Hz should be ~770mA .

3 Protection Circuitry

The protection circuitry may have operated if either of the following conditions are noticed:

- No sound is heard when the power is turned on.
- Sound stops during a performance.

The function of this circuitry is to prevent circuitry damage if, for example, the positive and negative speaker connection wires are "shorted", or if speaker systems with an impedance less than the indicated rated impedance of the amplifier are used.

If this occurs, follow the procedure outlines below:

1. Turn off the power.
2. Determine the cause of the problem and correct it.
3. Turn on the power once again after one minute.

Note :

When the protection circuitry functions, the unit will not operate unless the power is first turned off and then on again.

4 Safety Precautions

4.1. General Guidelines

1. When servicing, observe the original lead dress. If a short circuit is found, replace all parts which have been overheated or damaged by the short circuit.
2. After servicing, see to it that all the protective devices such as insulation barriers, insulation papers shields are properly installed.
3. After servicing, make the following leakage current checks to prevent the customer from being exposed to shock hazards.

4.1.1. Leakage Current Cold Check

1. Unplug the AC cord and connect a jumper between the two prongs on the plug.
2. Measure the resistance value, with an ohmmeter, between the jumpered AC plug and each exposed metallic cabinet part on the equipment such as screwheads, connectors, control shafts, etc. When the exposed metallic part has a return path to the chassis, the reading should be between $1M\Omega$ and $5.2M\Omega$.

When the exposed metal does not have a return path to the chassis, the reading must be ∞ .

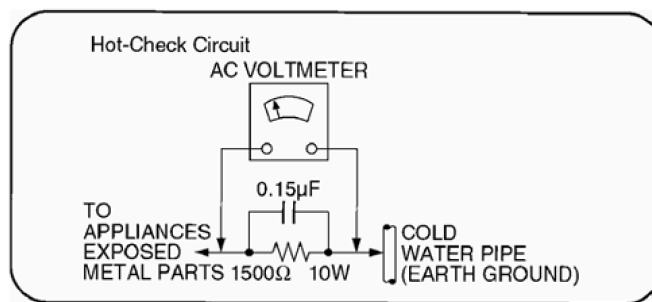


Figure 1

4.1.2. Leakage Current Hot Check (See Figure 1)

1. Plug the AC cord directly into the AC outlet. Do not use an isolation transformer for this check.
2. Connect a $1.5k\Omega$, 10 watts resistor, in parallel with a $0.15\mu\text{F}$ capacitor, between each exposed metallic part on the set and a good earth ground such as a water pipe, as shown in Figure 1.
3. Use an AC voltmeter, with 1000 ohms/volt or more sensitivity, to measure the potential across the resistor.
4. Check each exposed metallic part, and measure the voltage at each point.
5. Reverse the AC plug in the AC outlet and repeat each of the above measurements.
6. The potential at any point should not exceed 0.75 volts RMS. A leakage current tester (Simpson Model 229 or equivalent) may be used to make the hot checks, leakage current must not exceed 1/2 milliamp. In case a measurement is out of the limits specified, there is a possibility of a shock hazard, and the equipment should be repaired and rechecked before it is returned to the customer.

5 Prevention of Electro Static Discharge (ESD) to Electrostatically Sensitive (ES) Devices

Some semiconductor (solid state) devices can be damaged easily by electricity. Such components commonly are called Electrostatically Sensitive (ES) Devices. Examples of typical ES devices are integrated circuits and some field-effect transistors and semiconductor "chip" components. The following techniques should be used to help reduce the incidence of component damage caused by electro static discharge (ESD).

1. Immediately before handling any semiconductor component or semiconductor-equipped assembly, drain off any ESD on your body by touching a known earth ground. Alternatively, obtain and wear a commercially available discharging ESD wrist strap, which should be removed for potential shock reasons prior to applying power to the unit under test.
2. After removing an electrical assembly equipped with ES devices, place the assembly on a conductive surface such as aluminium foil, to prevent electrostatic charge build up or exposure of the assembly.
3. Use only a grounded-tip soldering iron to solder or unsolder ES devices.
4. Use only an anti-static solder remover device. Some solder removal devices not classified as "anti-static (ESD protected)" can generate electrical charge to damage ES devices.

5. Do not use freon-propelled chemicals. These can generate electrical charges sufficient to damage ES devices.
6. Do not remove a replacement ES device from its protective package until immediately before you are ready to install it. (Most replacement ES devices are packaged with leads electrically shorted together by conductive foam, aluminium foil or comparable conductive material).
7. Immediately before removing the protective material from the leads of a replacement ES device, touch the protective material to the chassis or circuit assembly into which the device will be installed.

Caution

Be sure no power is applied to the chassis or circuit, and observe all other safety precautions.

8. Minimize body motions when handling unpackaged replacement ES devices. (Otherwise harmless motion such as the brushing together of your clothes fabric or the lifting of your foot from a carpeted floor can generate static electricity (ESD) sufficient to damage an ES device).

IMPORTANT SAFETY NOTICE

There are special components used in this equipment which are important for safety. These parts are marked by Δ in the schematic diagrams, Exploded Views and replacement parts list. It is essential that these critical parts should be replaced with manufacturer's specified parts to prevent shock, fire, or other hazards. Do not modify the original design without permission of manufacturer.

6 Handling the Lead-free Solder

6.1. About lead free solder (PbF)

Distinction of PbF P.C.B.:

P.C.B.s (manufactured) using lead free solder will have a PbF stamp on the P.C.B.

Caution:

- Pb free solder has a higher melting point than standard solder; Typically the melting point is 50 - 70°F (30 - 40°C) higher. Please use a high temperature soldering iron. In case of soldering iron with temperature control, please set it to 700 ± 20°F (370 ± 10°C).
- Pb free solder will tend to splash when heated too high (about 1100°F/600°C).
- When soldering or unsoldering, please completely remove all of the solder on the pins or solder area, and be sure to heat the soldering points with the Pb free solder until it melts enough.

7 Cautions to be taken when handling Optical Pickup

The laser diode used inside optical pickup could be destroyed due to static electricity as a potential difference is caused by electrostatic load discharged from clothes or human body. Handling the parts carefully to avoid electrostatic destruction during repair.

7.1. Handling Optical Pickup

1. Do not impact on optical pickup as the unit structurally uses an extremely precise technology.
2. Short-circuit the flexible cable of optical pickup remove from the circuit board using a short-circuit pin or clip in order to prevent laser diode from electrostatic destruction (Refer to Fig. 7.1 and Fig. 7.2)
3. Do not handle flexible cables forcibly as this may cause snapping. Handle the parts carefully (Refer to Fig. 7.1)
4. A new optical pickup is equipped with an anti-static flexible cable. After replacing and connecting to the flexible board, cut the anti-static flexible cable. (Refer to Fig. 7.1)

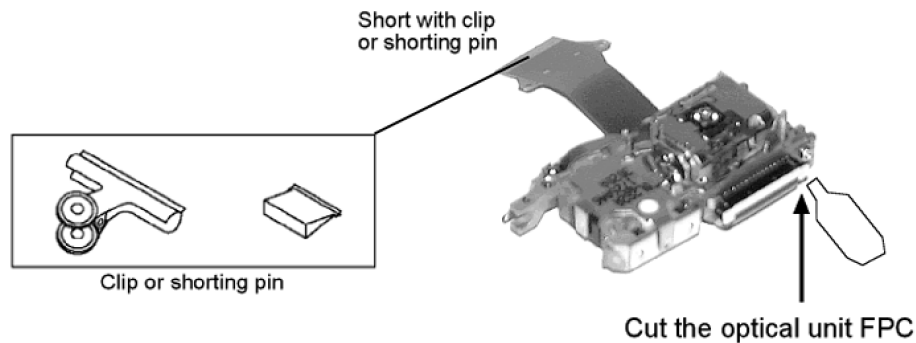


Fig. 7.1

7.2. Replacing Precautions for Optical Pickup Unit

DVD/CD Optical Pickup

The optical pickup by which part supply was carried out attaches the short clip to the flexible board for laser diode electrostatic discharge damage prevention. Please remove the short clip and be sure to check that the short land is open, before connecting. (Please remove solder, when the short land short-circuits.)

7.3. Grounding for Preventing Electrostatic Destruction

1. Human body grounding
Use the anti-static wrist strap to discharge the static electricity accumulated in your body. (Refer to Fig. 7.2)
2. Work place grounding
Place a conductive material (conductive sheet) or ironboard where optical pickup is placed. (Refer to Fig. 7.2)

Note :

Keep your clothes away from optical pickup as wrist strap does not release the static electricity charged in clothes.

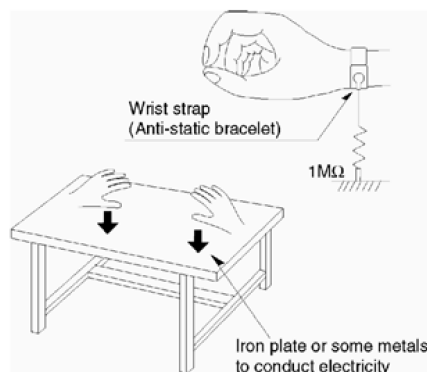


Fig. 7.2

8 Precaution of Laser Diode

Caution :

This product utilizes a laser diode with the unit turned "ON", invisible laser radiation is emitted from the pick up lens.

Wavelength : 780 nm(CD)/658 nm(DVD)

Maximum output radiation power from pick up : 100 μ W/VDE

Laser radiation from pick up unit is safety level, but be sure the followings:

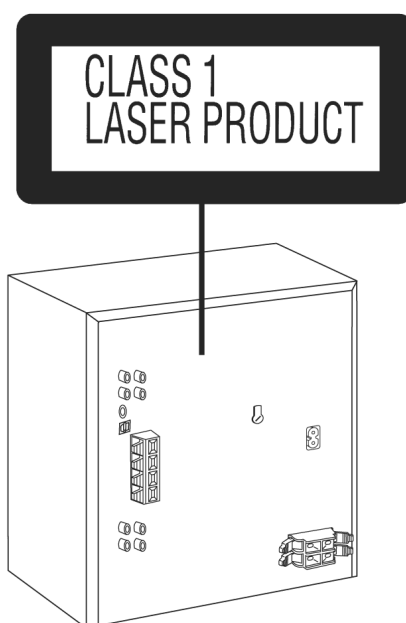
1. Do not disassemble the optical pick up unit, since radiation from exposed laser diode is dangerous.
2. Do not adjust the variable resistor on the pick up unit. It was already adjusted.
3. Do not look at the focus lens using optical instruments.
4. Recommend not to look at pick up lens for a long time.

CAUTION!

THIS PRODUCT UTILIZES A LASER.

USE OF CONTROLS OR ADJUSTMENTS OR PERFORMANCE OF PROCEDURES OTHER THAN THOSE SPECIFIED HEREIN MAY RESULT IN HAZARDOUS RADIATION EXPOSURE.

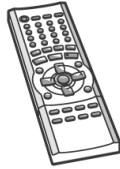
n Use of Caution Labels



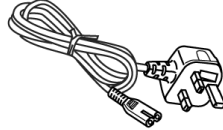
CAUTION	- LASER RADIATION WHEN OPEN. DO NOT STARE INTO BEAM.	FDA 21 CFR / Class II
CAUTION	- VISIBLE AND INVISIBLE LASER RADIATION WHEN OPEN. AVOID EXPOSURE TO BEAM.	IEC60825-1 / Class 3b
VARNING	- SYNLIIG OCH OSYNLIIG LASERSTRÅLNING NÄR DENNA DEL ÄR ÖPPNAD. BETRÄKTA EJ STRÅLEN.	
ADVARSEL	- SYNLIIG OG USYNLIIG LASERSTRÅLING VED ÅBNING. UNNGÅ UDSÆTTELSE FOR STRÅLING.	
ADVARSEL	- SYNLIIG OG USYNLIIG LASERSTRÅLING NÄR DEKSEL ÄPNES. UNNGÅ EKSPOSERING FÖR STRÅLEN.	
VARO!	- AVATTAESSA OLET ALLT IIN NÄKYVÄÄ JA NÄKYMÄTÖN LASERSÄTEILYLLE. ÄLÄ KATSO SÄTEESEEN.	
VORSICHT	- SICHTBARE UND UNSICHTBARE LASERSTRAHLUNG, WENN ABDECKUNG GEÖFFNET. NICHT DEM STRAHL AUSSETZEN.	
ATTENTION	- RAYONNEMENT LASER VISIBLE ET INVISIBLE EN CAS D'OUVERTURE. EXPOSITION DANGEREUSE AU FASCEAU.	
注意	- 打开时有可见及不可见激光辐射。避免激光辐射。	
注意	- ここを開くと可視及び不可視レーザー光が出ます。ビームを見たり、触れたりしないで下さい。	

(Inside of product)

9 Accessories



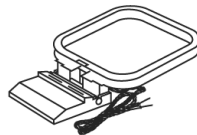
Remote control



AC power supply cord



FM indoor antenna



AM indoor antenna

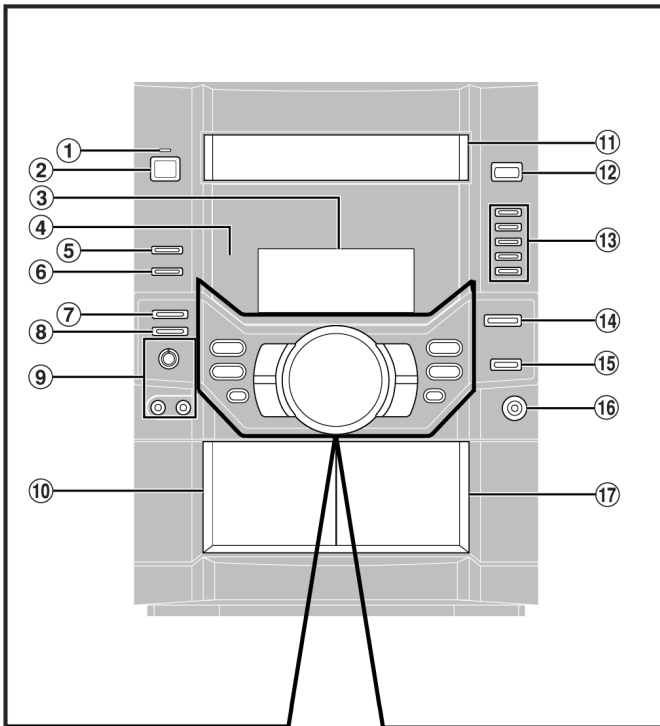


Video cable

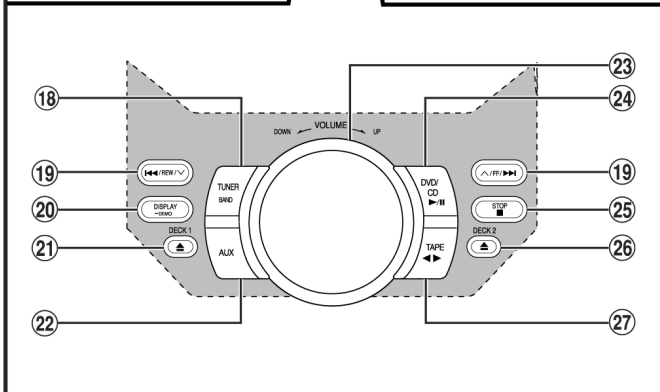
10 Operation Procedures

Control reference guide

Main unit



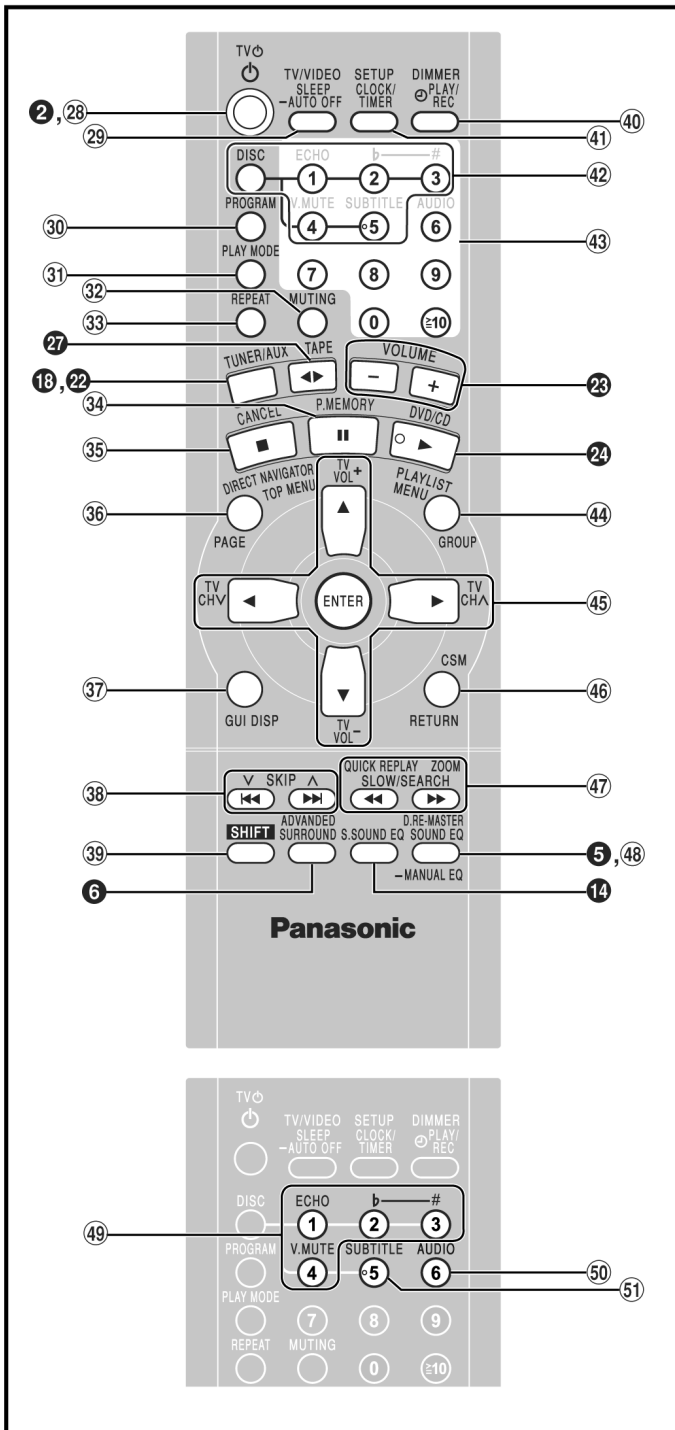
- ① **AC supply indicator [AC IN]**
This indicator lights when the unit is connected to the AC mains supply.
- ② **Standby/on switch [⏻/⏻]**
Press to switch the unit from on to standby mode or vice versa. In standby mode, the unit is still consuming a small amount of power.
- ③ **Display**
- ④ **Remote control signal sensor**
- ⑤ **Double re-master button [DOUBLE RE-MASTER]**
- ⑥ **Advanced surround button [ADVANCED SURROUND]**
- ⑦ **Deck 1/2 selection button [DECK 1/2]**
- ⑧ **Record button [● REC]**
- ⑨ **Microphone volume control [MIC VOL MIN, MAX]
Microphone jacks [MIC 1, 2]**
- ⑩ **Deck 1 cassette holder**
- ⑪ **Disc tray**
- ⑫ **Disc tray open/close button [▲ OPEN/CLOSE]**
- ⑬ **Disc direct play buttons [1]–[5]**
- ⑭ **Super sound EQ button [SUPER SOUND EQ]**
- ⑮ **Sound EQ button [SOUND EQ]**
- ⑯ **Headphones jack [PHONES]**
- ⑰ **Deck 2 cassette holder**



Center console

- ⑱ **Tuner/band select button [TUNER, BAND]**
- ⑲ **Disc skip/search/slow-motion play, tape fast-forward/rewind, tune/preset channel select, time adjust buttons [◀◀/REW/∨, ∧/FF/▶▶]**
- ⑳ **Display, demonstration button [DISPLAY, -DEMO]**
- ㉑ **Deck 1 open button [▲ DECK 1]**
- ㉒ **AUX button [AUX]**
- ㉓ **Volume control [VOLUME DOWN, UP]**
- ㉔ **DVD/CD play/pause button [▶/|| DVD/CD]**
- ㉕ **Stop button [■ STOP]**
- ㉖ **Deck 2 open button [▲ DECK 2]**
- ㉗ **Tape play/direction button [◀▶ TAPE]**

Remote control











Buttons such as 2 function in exactly the same way as the buttons on the main unit.

- 28 Standby/on, TV standby/on switch [TV ⏻, TV ⏻]
- 29 Sleep timer, Auto off, TV/Video input mode select button [SLEEP, -AUTO OFF, TV/VIDEO]
- 30 Program button [PROGRAM]
- 31 Play mode select button [PLAY MODE]
- 32 Muting button [MUTING]
- 33 Repeat button [REPEAT]
- 34 Pause, Position memory button [II, P. MEMORY]
- 35 Stop, Cancel button [■, CANCEL]
- 36 Top menu, Direct navigator, Page button [TOP MENU, DIRECT NAVIGATOR, PAGE]
- 37 GUI display button [GUI DISP]
- 38 Disc skip, tape fast-forward/rewind, preset channel select, time adjust buttons [◀◀, ▶▶, √ SKIP ^]
- 39 Shift button [SHIFT]
To use functions labeled in orange:
While pressing [SHIFT], press the corresponding button.
- 40 Play timer/record timer, Dimmer button [⌚PLAY/REC, DIMMER]
- 41 Clock/timer, Setup button [CLOCK/TIMER, SETUP]
- 42 Disc select button [DISC], Disc button [1] – [5]
- 43 Numbered buttons [0 – 9, ≥10]
- 44 Menu, Playlist, Group button [MENU, PLAYLIST, GROUP]
- 45 Cursor buttons [▲, ▼, ◀, ▶], Enter button [ENTER]
These buttons have the following functions.
[▲, ▼] : TV volume buttons [TV VOL +, -]
[◀, ▶] : TV channel select buttons [TV CH √, ^]
- 46 Return, Custom sound memory button [RETURN, CSM]
- 47 Slow/search, Tuning buttons [◀◀, ▶▶ SLOW/SEARCH]
These buttons have the following functions.
[◀◀] : Quick replay button [QUICK REPLAY]
[▶▶] : Zoom button [ZOOM]
- 48 Sound EQ, Manual EQ button [SOUND EQ, -MANUAL EQ]
- 49 Echo button [ECHO]
Key control buttons [b, #]
Vocal mute button [V. MUTE]
- 50 Audio button [AUDIO]
- 51 Subtitle button [SUBTITLE]

11 Disc information

Discs that can be played

DVD-RAM	DVD-Audio	DVD-Video	DVD-R	SVCD	Video CD	CD	CD-R/RW
 Shown as "DVD-VR" on the display				 Conforming to IEC62107		 	—
RAM	DVD-A	DVD-V		VCD		CD	WMA MP3 JPEG

Use discs with the above logos and that conform to specifications. The unit cannot play other discs correctly. Do not use irregularly shaped discs (e.g. heart-shaped), as these can damage the unit.










It may not be possible to play CD-R, CD-RW, DVD-R and DVD-RAM in all cases due to the type of disc or condition of the recording.

Discs that cannot be played

DVD-ROM, CD-ROM, CDV, CD-G, +RW, DVD-RW, CVD, SACD, Divx Video Discs, Photo CD, DVD-RAM that cannot be removed from their cartridge, 2.6-GB and 5.2-GB DVD-RAM, and "Chaoji VCD" available on the market including CVD, DVCD and SVCD that do not conform to IEC62107.

Region number

The player plays DVD-Video marked with labels containing the region number or "ALL".

Region	Number	Example
U.S.A. and Canada	1	  
Asia	3	  
Australia and N.Z.	4	  

Built-in decoders

This unit has Dolby Digital and DTS decoders so you can enjoy these systems in stereo without connecting a separate decoder.



Video systems

Units for Asia, Australia and N.Z.:

- This unit can play PAL and NTSC, but your television must match the system used on the disc.
- PAL discs cannot be correctly viewed on an NTSC television.
- This unit can convert NTSC signals to PAL 60 for viewing on a PAL television (→ page 18, Video—NTSC Disc Output).
- Output is interlace (576i) when playing PAL discs.

Units for the U.S.A. and Canada:

NTSC is used. This unit converts still pictures on PAL system DVD-Audio discs for play on NTSC video systems. The picture is compressed to show it in its entirety, but this may cause it to be stretched vertically.

Playing DVDs and Video CDs

The producer of these discs can control how they are played so you may not always be able to control play as described in these operating instructions (for example if the play time is not displayed or if a Video CD has menus). Read the disc's instructions carefully.

DVD-RAM discs

The DVD-RAM you can play on this unit are those recorded with DVD video recorders, DVD video cameras, personal computers, etc. using Version 1.1 of the Video Recording Format (a unified video recording standard).

- Remove discs from their cartridges before use and return them when you are finished, making sure that the labels of the disc and cartridge face the same way.
- Some parts of the disc, for example where one program ends and another begins, may not play smoothly.

DVD-R discs

Panasonic DVD-R recorded and finalized on a Panasonic DVD video recorder or DVD video camera are played as DVD-Video on this unit.

CD-R and CD-RW discs

This unit can play CD-R/RW (audio recording disc) recorded with CD-DA, video CD, SVCD (conforming to IEC62107), WMA, MP3, or JPEG. Close the session or finalize after recording.

See page 11 for more information about WMA, MP3, and JPEG.

HighMAT discs

This unit is compatible with HighMAT discs containing WMA, MP3, and/or JPEG files.

Disc structure

Disc structure and the labels given to the items on discs depend on the disc type.

- Track:** the smallest division on DVD-Audio, CDs, and Video CDs, or a single WMA/MP3 file.
- Chapter:** the smallest division on DVD-Video.
- Group:** collections of tracks on DVD-Audio and equivalent to folders or albums on data discs.
- Title:** the largest division on DVD-Video, usually an entire movie.
- Program:** the division on DVD-RAM equivalent to a single recording.
- Picture:** a single JPEG file.
- Play list:** the largest grouping on a HighMAT disc, or a group of scenes on DVD-RAM.
- Scene:** DVD-RAM program sections specified and grouped into play lists on a DVD video recorder.
- Content:** covers tracks and pictures on HighMAT discs.

To clean discs

DVD-Audio, DVD-Video, Video CD, CD
Wipe with a damp cloth and then wipe dry.

DVD-RAM, DVD-R

- Clean only with an optional DVD-RAM/PD disc cleaner (LF-K200DCA1, where available).
- Never use cloths or cleaners for CDs etc.



Handling precautions

- Do not write on the label side with a ball-point pen or other writing instrument.
- Do not use record cleaning sprays, benzene, thinner, static electricity prevention liquids or any other solvent.
- Do not attach labels or stickers to discs. (Do not use discs with exposed adhesive from tape or left over peeled-off stickers.)
- Do not use scratch-proof protectors or covers.
- Do not use discs printed with label printers available on the market.

Decoder

A decoder restores the coded audio signals on DVDs to normal. This is called decoding.

Dolby Digital

This is a method of coding digital signals developed by Dolby Laboratories. Apart from stereo (2-channel) audio, these signals can also be multi-channel audio. A large amount of audio information can be recorded on one disc using this method.

DTS (Digital Theater Systems)

This surround system is used in many movie theaters around the world. There is good separation between the channels, so realistic sound effects are possible.

Dynamic range

Dynamic range is the difference between the lowest level of sound that can be heard above the noise of the equipment and the highest level of sound before distortion occurs.

Film and video

DVD-Videos are recorded using either film or video. Usually, film is recorded at 24 frames per second, the rate movies are filmed at, while video is recorded at 30 frames per second.

Frame still and field still

Frames are the still pictures that go together to make a moving picture. There are about 30 frames shown each second. One frame is made up of two fields. A regular television shows these fields one after the other to create frames.

A still is shown when you pause a moving picture. A frame still is made up of two alternating fields, so the picture may appear blurred, but overall quality is high.

A field still is not blurred, but it has only half the information of a frame still so picture quality is lower.

Interlace and progressive output

NTSC, the video signal standard, has 480 interlaced (I) scan lines, whereas progressive scanning uses twice the number of scan lines. This is called 480P. The video signals output from this unit's COMPONENT VIDEO OUT terminals (Y, P_B, P_R) allow you to enjoy higher quality pictures than if the signals were output from the VIDEO OUT terminal or S-VIDEO OUT terminal.

I/P/B

MPEG 2, the video compression standard adopted for use with DVD-Video, codes frames using these 3 picture types.

I: Intra coded picture

This picture has the best quality and is the best to use when adjusting the picture.

P: Predictive coded picture

This picture is calculated based on past I or P-pictures.

B: Bidirectionally-predictive coded picture

This picture is calculated by comparing past and future I and P-pictures so it has the lowest volume of information.

Linear PCM (pulse code modulation)

These are uncompressed digital signals, similar to those found on CDs.

Playback control (PBC)

If a Video CD has playback control, you can select scenes and information with menus.

WMA, MP3, CD text and JPEG information

- Discs must conform to ISO9660 level 1 or 2 (except for extended formats).
- This unit is compatible with multi-session but if there are a lot of sessions it takes more time for play to start. Keep the number of sessions to a minimum to avoid this.
- The order tracks appear in the menus may differ to the order shown on your computer.

WMA

- Noise may occur when playing WMA files.
- You cannot play WMA files that are copy protected.

MP3

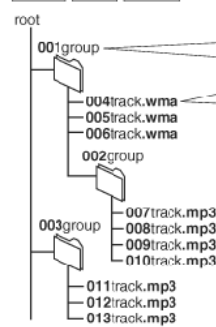
- This unit is not compatible with ID3 tags.
- If you play an MP3 track that includes still picture data, it will take some time before the music itself starts playing and the elapsed time will not be displayed during this time. Even after the track starts, the correct play time will not be displayed.

JPEG

- To view JPEG files on this unit:
 - Take them on a digital camera that meets the DCF (Design rule for Camera File System) standard. Some digital cameras have functions that are not supported by the DCF standard like automatic picture rotation which may render a picture unviewable.
 - Do not alter the files in any way or save them under a different name.
- This unit cannot display moving pictures, Motion JPEG and other such formats, still pictures other than JPEG (i.e. TIFF) or play associated sound.

Order of play

WMA MP3 JPEG



Naming folders and files

Prefix folder and file names with 3-digit numbers in the order you want to play them.

Extension
004track.wma (or .WMA)

The extension for MP3 is ".mp3" or ".MP3".

The extension for JPEG is ".JPG", ".jpg", ".JPEG" or ".jpeg".

CD (CD text only)

When making your own CD text discs

The unit plays the tracks in the order you record them so you do not have to prefix the titles with numbers.

Windows Media, and the Windows logo are trademarks, or registered trademarks of Microsoft Corporation in the United States and/or other countries.

WMA is a compression format developed by Microsoft Corporation. It achieves the same sound quality as MP3 with a file size that is smaller than that of MP3.



MPEG Layer-3 audio decoding technology licensed from Fraunhofer IIS and Thomson multimedia.

12 About HighMAT

12.1. What is HighMAT?

This word combines the abbreviations of Matsushita Electric Industrial Co. Ltd. and High Performance Media Access Technology, and is a trademark of Microsoft Corporation. The products with the HighMAT logo shown below are made according to the HighMAT standard.

HighMAT is a format that allows users to save digital contents such as photographs, audio, and images on a CD. This gives consistency in the way of reading data when general consumer products (such as DVD players) and PCs are used, and thus, it is easy to operate for the user.

12.2. Why use HighMAT?

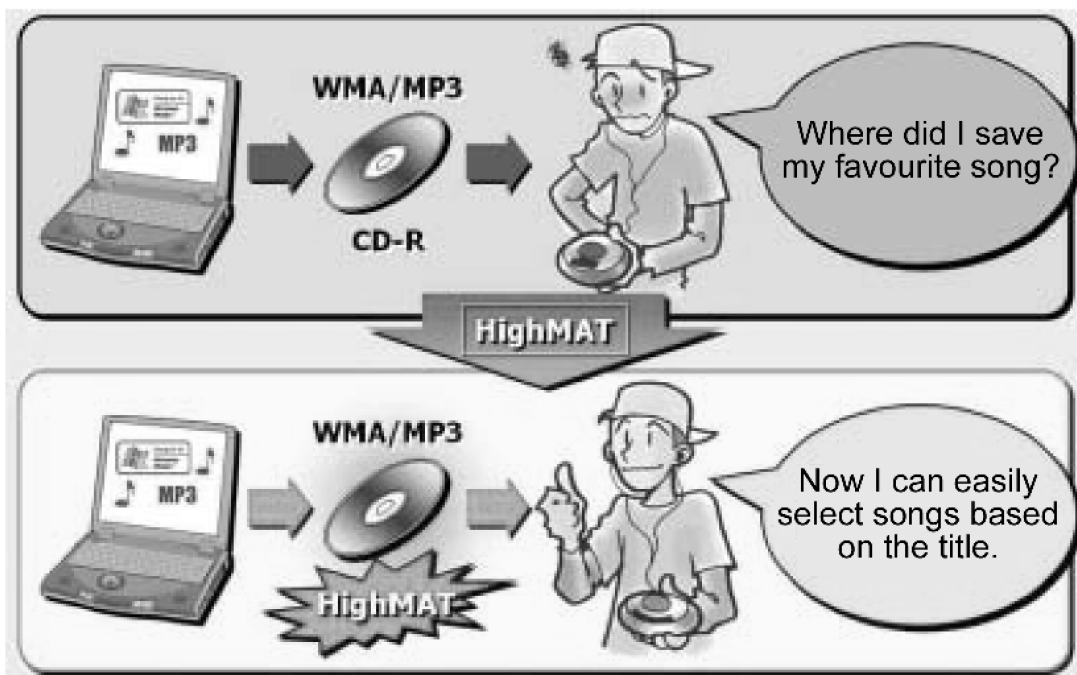
Up to now, there was no harmonized standard from playing digital content stored in CD-ROM formats (including CD-R) on consumer products like DVD players. Therefore, we used to have problems such as follow:

- There was no common play list or attached information on contents, which is called metadata.
- The data compression method differed according to the equipment.
- As the number of CD-ROMs recorded increased retrieved the contents became more difficult.
- Because display and operation methods were different depending on the equipment, the play order of the content on the same disc could change.

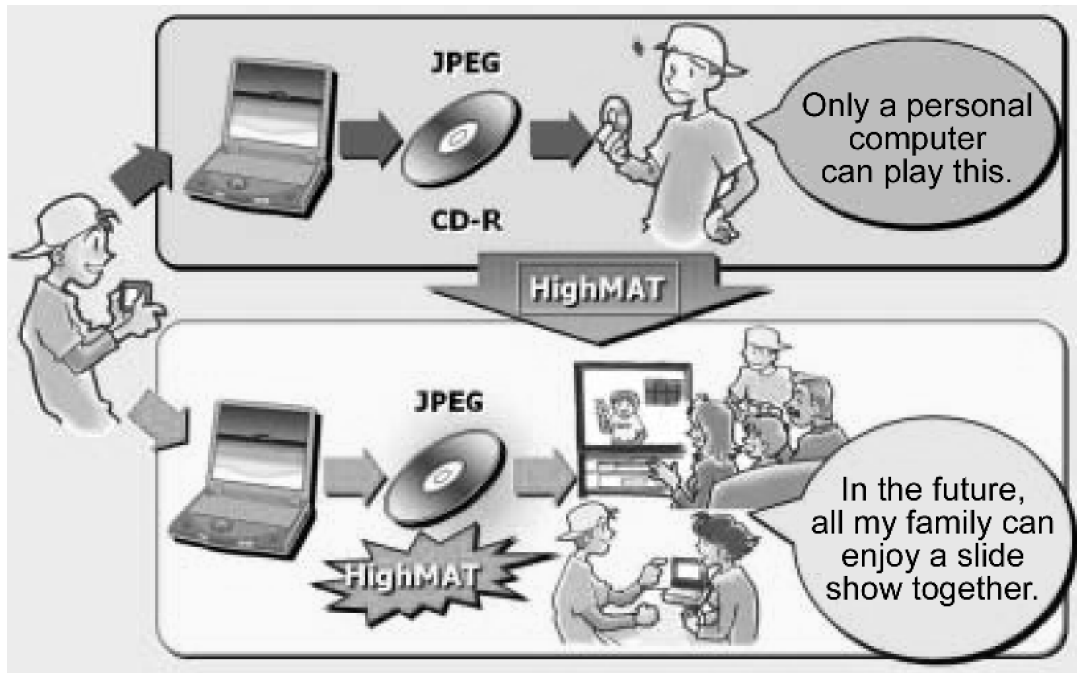
12.3. The advantages of using HighMAT

Applying the HighMAT standard will solve the following problems and will improve usability.

- It will create a common user interface for both PC and consumer products.



- Regardless of the types of consumer products, such as DVD players, portable CD players, car stereos, and micro computers, a consistent way to pay for digital content will be created and it will make it easier to retrieve data.

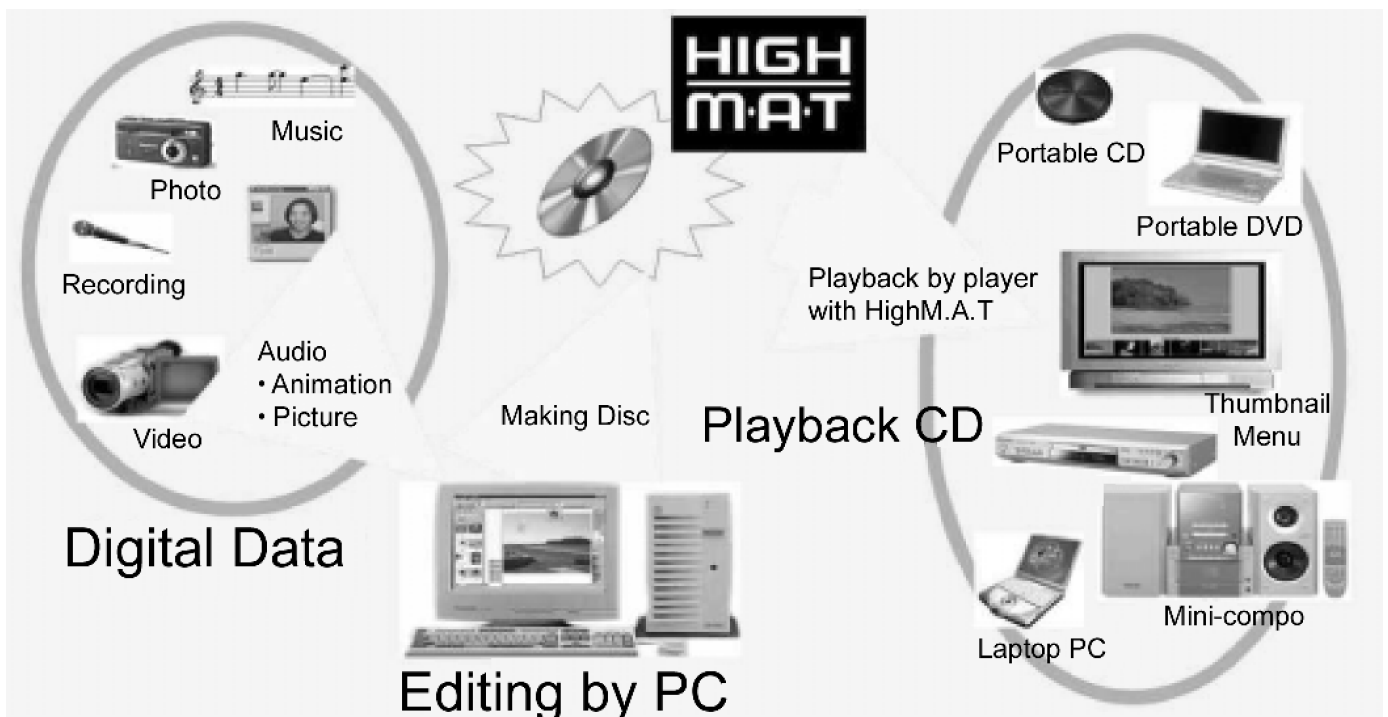


- You can also play digital content on the disc, which was created in accordance with the HighMAT format with a conventional CD-ROM player.

12.4. Outline of the HighMAT standard

1. Recording medium

- CD-R/CD-RW
- Supports ISO 9660 Level Expanded Joliet
- For multiple session



2. Support data format

- Level 1 player: WMA, MP3 (MPEG-1 Audio Layer 3)
- Level 2 player: WMA, MP3 (MPEG-1 Audio Layer 3), JPEG
- Level 3 player: WMA, MP3 (MPEG-1 Audio Layer 3), JPEG, WMV, MPEG4 (optional)

3. Limitation of data format

- WMA, MP3 (MPEG-1 Audio Layer 3) 64 kbps - 160.999 kbps, 44.1 KHz, stereo, fixed bit rate/ variable bit rate.
- WMA, V2 and above, excluding Lossless/Voice/Pro
- JPEG: Max 6M pixel, Maximum file size: 3 MB

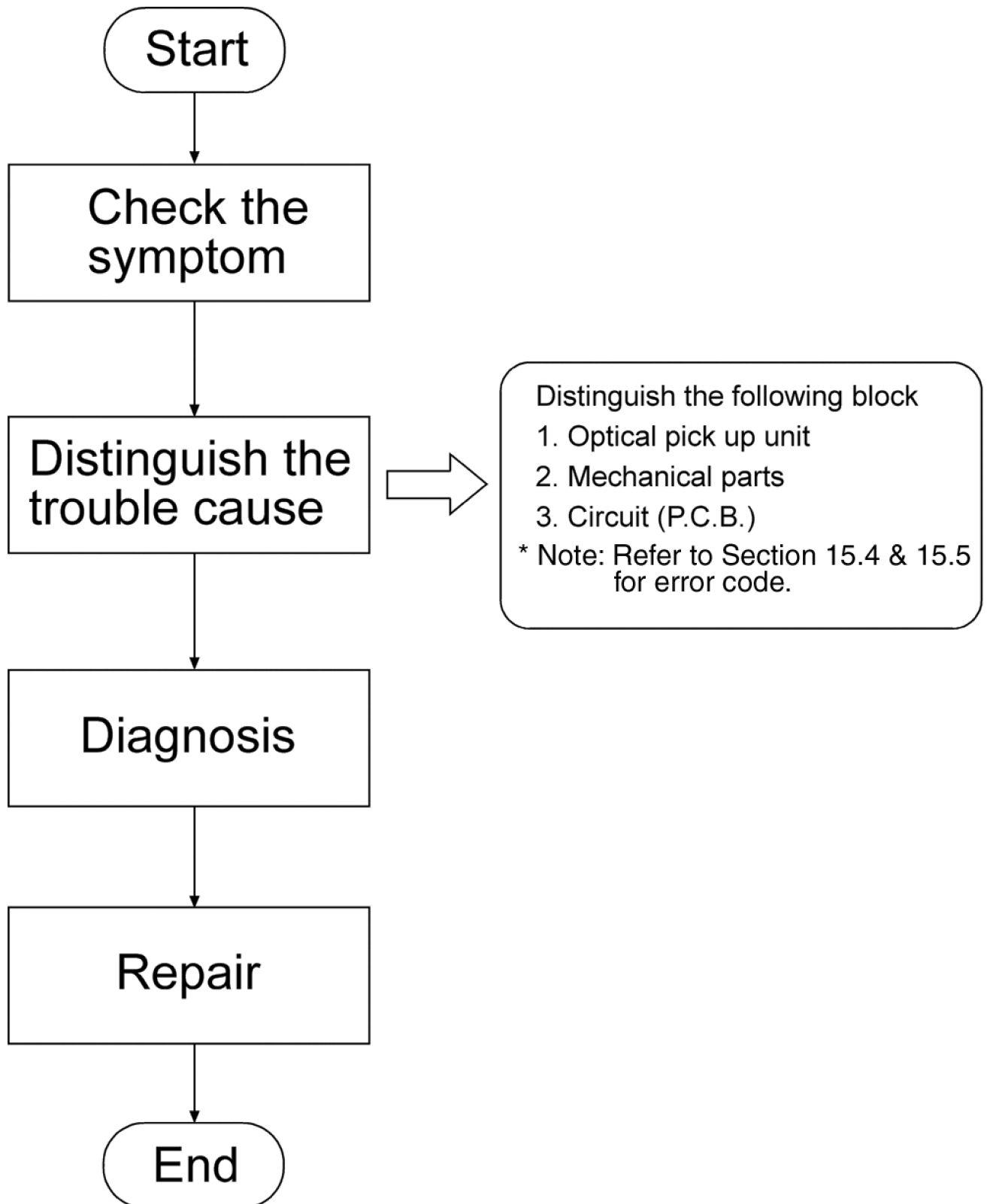
4. Limitations regarding the number of files on the media, etc.

- Total number of audio files: Maximum 450
- Total number of still picture files: Maximum 999
- Total number of animation files: Maximum 200
- Total number of directories: Maximum 400
- Length of a file name: Maximum 108 characters (Unicode)
- Total number of play lists: Maximum 200
- Number of contents in the playlist: Maximum 900

5. Composition of HighMAT disc

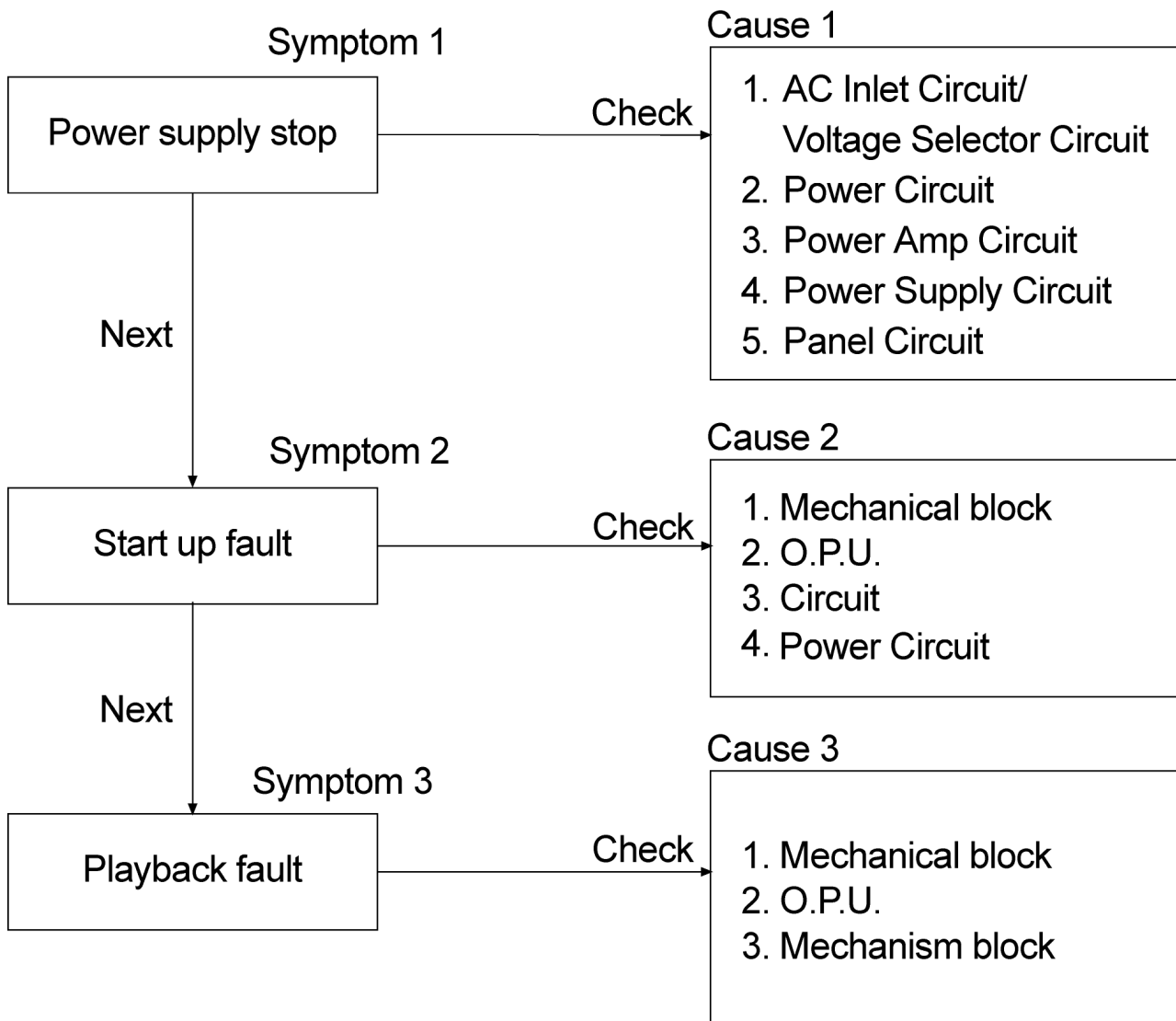
- Menu: Classified for the navigation of the HighMAT digital contents. When menu selected, its submenu or the play list will be displayed.
- Play list: A list in which one or more digital contents are arranged in order
- Group: Sub-divided group of a play list.
- Digital Contents: Audio, still picture, and animation data.

13 Procedure for repairing the set



13.1. Distinguish the trouble cause

- Check flow



How to distinguish the trouble

1. View mechanical part if visual damage occurred.

Confirm the movement of mechanical parts assembly (tray ass'y, loading mechanism ass'y, etc.).

2. Diagnose if Optical Pickup Unit is faulty (refer to diagnosis of Optical Pickup Unit).

3. If mechanism and OPU are OK, it is P.C.B.

Cause 1	Possible fault
1. AC Inlet Circuit/Voltage Selector Circuit	Fuse Blow (F1,F2), Power Transformer Problem(T501, T502), Wrong Selection of Selector (S501)
2. Power Circuit	Fuse Blow (F3, F4) FP951, FP950 open
3. Power Amp Circuit	IC502 faulty
4. Power Supply Circuit	IC500, IC501 faulty
5. Panel Circuit	FL Display Problem (-VP → Q950 faulty/ FP951 open/ D961 faulty) SVS6V to Micro-P (Q951/ D965 faulty) Problem

Cause 2	Possible fault
1. Mechanical block	Tray and loading mechanical block, traverse unit, deck unit
2. O.P.U.	Refer to the diagnosis of OPU
3. Circuit	IC307 faulty (check for pin 31, 32) IC701 faulty (check for pin 2, 23)
4. Power circuit	Refer to Cause 1

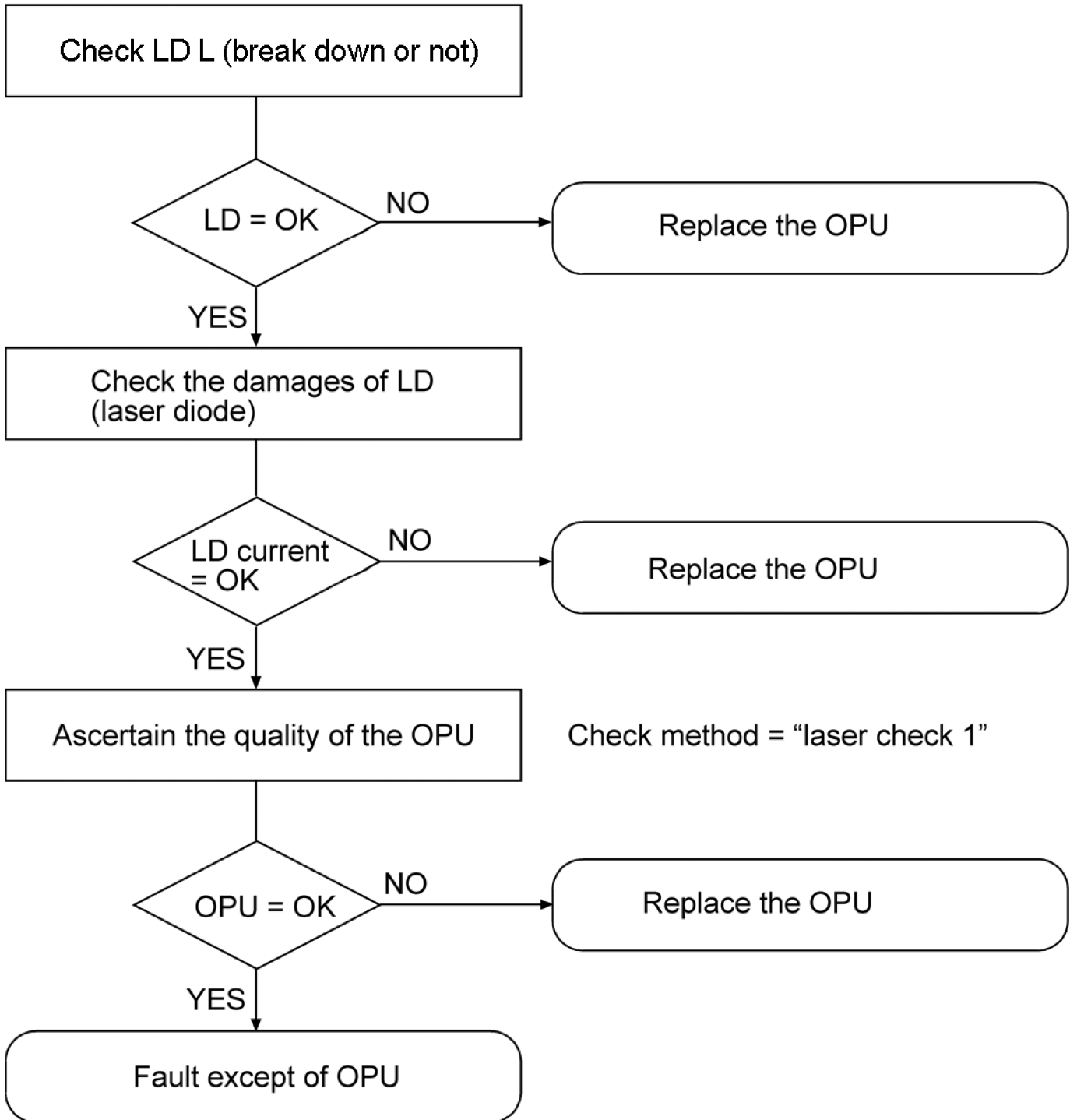
Cause 3	Possible fault
1. Mechanical block	Traverse block (Tilt adjustment)
2. O.P.U.	Refer to the diagnosis of OPU

Cause 3	Possible fault
3. DVD Module (1) Circuit	IC2501 (Tracking - pin 11 & 12) IC2501 (Focus - pin 13 & 14) IC2501 (spindle motor - pin 17, 18) IC2501 (Traverse motor - pin 15, 16) FG unit (pin 1, 2 at FP5102) IC3001, Video Problem (pin 158 (Y/PY/G), pin 160 (CB/PB/B), pin 161 (CR/PR/R), pin 163 (Y) and pin 164 (C))
4. Main Circuit	IC50 faulty (pin 17, 19, 21, 22, 24, 25 & 32 to JK302/JK301) JK301 & JK302 faulty IC700 (DSP IC) faulty (ckeck for pin 65, 69, 11, 14)

13.2. Diagnosis of Optical Pick-up Unit

Diagnosis Method

Diagnose the OPU by the following procedure



Note : When LD does not emit light after replacing the OPU, check the LD drive circuit in the module P.C.B.

How to distinguish Laser destruction/damage

Confirmation 1

Remove cover of mechanism block so that you will see the lens of optical pickup.

Confirm emission of laser at the moment when power switch is turned on.

If there is no laser emission, laser diode is faulty.

Confirmation 2

While pressing & hold "STOP" button on main unit, press "Display" button on the remote controller. Unit display laser current on FL.

From the reading of display, you can judge if laser diode is damaged or not.

Reading on the right side should be less than 70. If reading is more than 70, laser is damaged.

How to confirm if Optical Pickup is OK

Confirmation 1

1. Confirmation of jitter value with test disc. (Refer below for how to check jitter)
2. Lens cleaning.
3. Reconfirm jitter value.
4. Perform tilt adjustment. (Refer to tilt adjustment)
5. Reconfirm jitter value. (To confirm jitter value, while pressing & holding "STOP" button on main unit, press numeric "5" on remote controller.)

Unit display jitter value on FL.

Confirmation 2

If servo is very unstable due to optical error and you cannot confirm jitter value, clean the lens and check appearance of pickup unit (cutting coil of actuator, etc), then check circuitry.

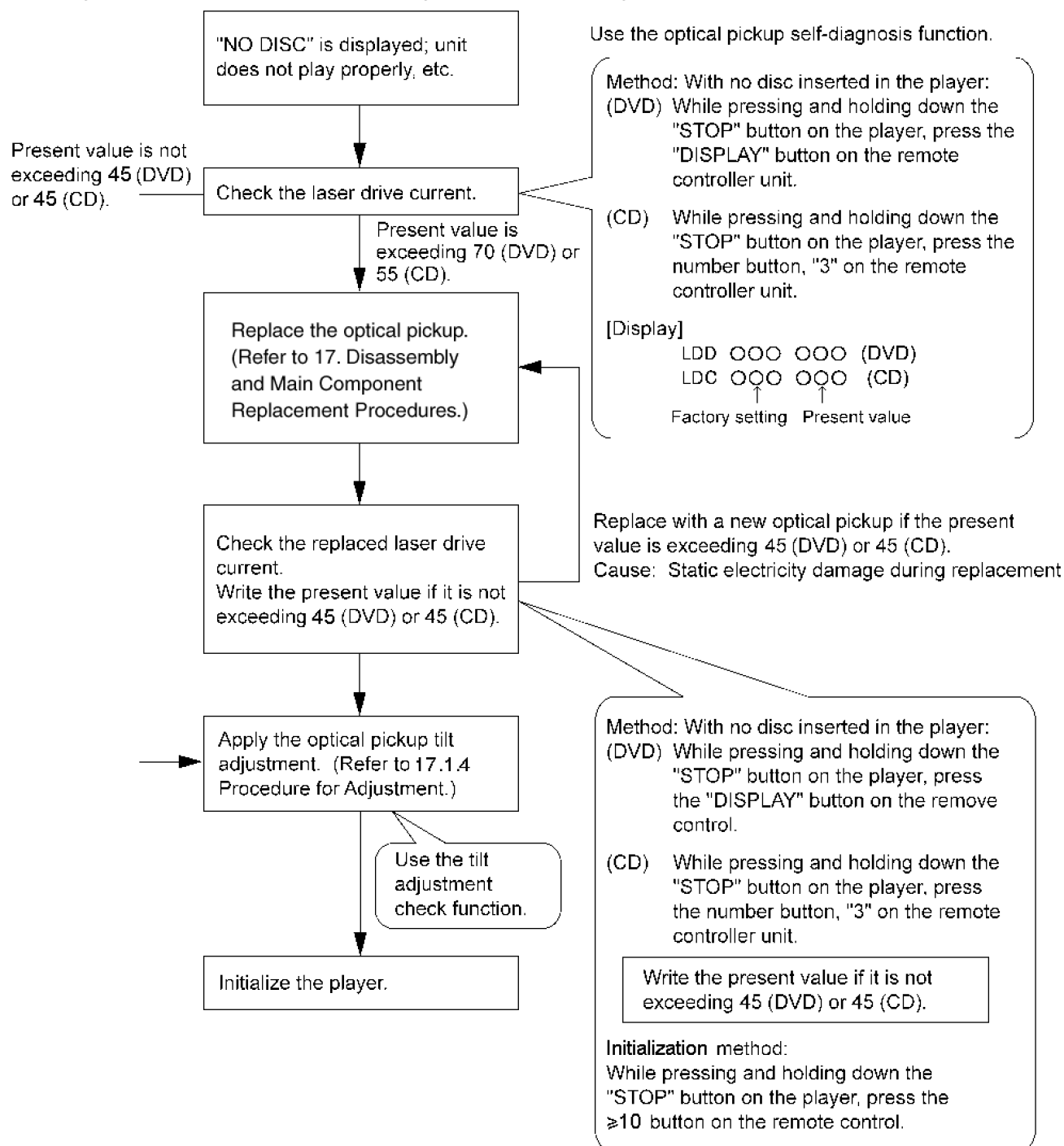
14 Optical Pickup Self-Diagnosis and Replacement Procedure

14.1. Self-diagnosis

This unit is equipped with the optical pickup self-diagnosis function and the tilt adjustment check function. Follow the procedure described below during repair in order to perform self-diagnosis and tilt adjustment effectively. Especially when "NO DISC" is displayed, be sure to apply the self-diagnosis function before replacing with an optical pickup. Replacement of optical pickup generally requires when the present value of laser drive exceeds 45 (DVD) or 45 (CD).

Note:

Start diagnosis within three minutes after turning on the power (as diagnosis fails when the unit becomes warm).



14.2. Cautions to Be Taken During Replacement of Optical Pickup and Spindle Motor

Before replacing the optical pickup and spindle motor, check a total usage time respectively. Follow the checking method described below.

Item	Status and Key Function	Display
Checking DVD, CD laser usage time	With the unit stopped and no disc inserted, press the ■ button on the player and the ▲ button on the remote controller unit.	T1_xxxx_yyyy xxxx(DVD), yyyy(CD): total time is displayed with a four-digit number by the ten hours.
Checking spindle motor usage time	With the unit stopped and no disc inserted, press the ■ button on the player and the ▶ button on the remote controller unit.	T2_xxxxx xxxxx: total time is displayed with a four-digit number by the ten hours.
Resetting DVD, CD laser usage time	While the DVD and CD laser usage times are displayed, press the ■ button on the player and the ▼ button on the remote controller unit.	T1_0000_0000
Resetting spindle motor usage time	While the spindle motor usage time is displayed, press the ■ button on the player and the ◀ button on the remote controller unit.	T2_0000

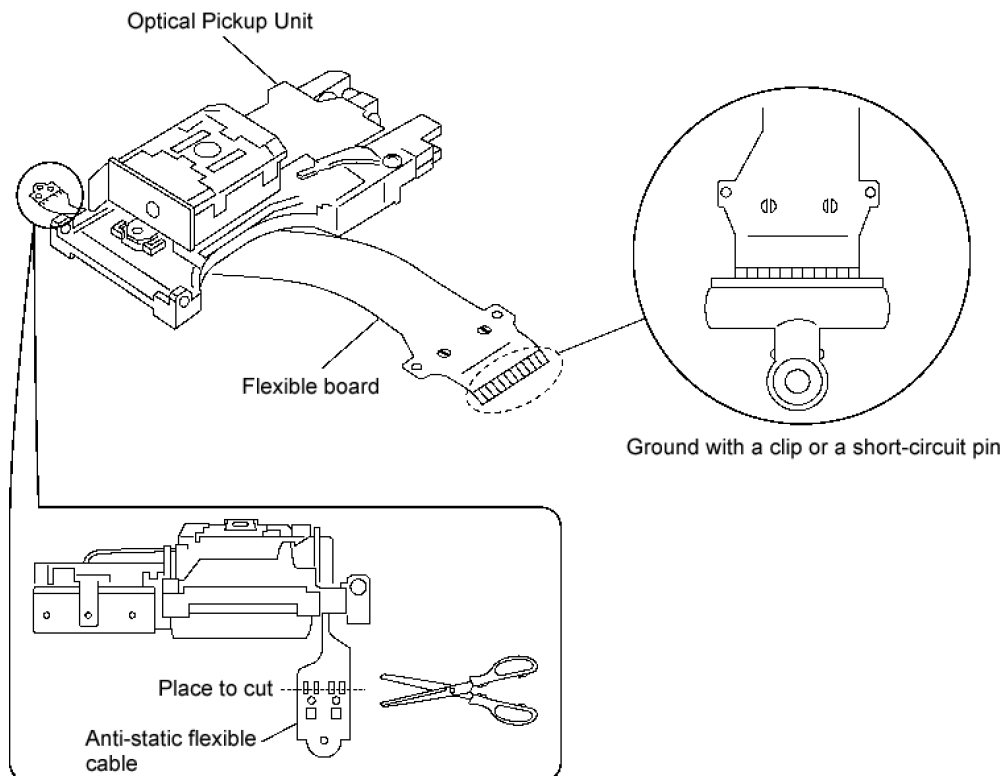
14.2.1. Cautions to be taken during replacement of optical pickup

Optical pickup could be damaged due to the static electricity discharged from human body. Wear proper protection gear against static electricity during optical pickup and its peripheral repair. (Refer to "Cautions to Be Taken When Handling Optical Pickup".)

- Do not touch laser diode, actuator and their peripherals.
- Do not check laser diode with a tester and such. (The tester will be destroyed.)
- For short-circuiting or removing laser diode, the use of an anti-static soldering iron is recommended. (Recommended model: HAKKO ESD product)
- Solder the land of the flexible cable in the optical pickup.

Note:

If an anti-static soldering iron is not available, short-circuit the terminal surface of the flexible cable and then the land using a clip or equivalent device.



15 Self-Diagnosis Function

This unit is equipped with the self-diagnosis function, which displays an error when it occurs, for use during servicing.

15.1. Automatic Displayed Error Codes

15.1.1. Automatic Display Function

For a power unit error, the code is automatically displayed.

F61: Automatically displayed on the LCD of the player.

15.1.2. Re-Display

• For F61 Display

- When the code, F61 is displayed, the power is automatically turned off.
- The code, F61 is displayed for three seconds, and then the current time appears.
- To retrieve the code, turn on the power button so that the code F61 appears, however, is switched to time display after three seconds, and the power is automatically turned off.

• For F76 Display

- The abnormalities is an output or the abnormalities in a power supply of POWER AMP.

15.1.3. Description of Error Code

15.1.3.1. F61

• State, Condition

When the power is turned on, the unit is automatically turned off. The power does not turn on.

• Cause, Troubleshooting

Power circuit system failure and/or direct current flown to speaker terminal

Identify the cause and replace with new parts.

15.2. Memorized Error Codes

15.2.1. Activating Self-Diagnosis Function and Displaying Method

1. Turn on the power.
2. Select DVD/CD function. With no DVD/CD inserted in the player, press and hold down the **■** button for at least two seconds, and press the “0” button on the remote control for at least two seconds in order to display “DVD_F_ _ _”.
3. Press the **■** button. If a memorized error is detected, the result of self diagnosis is displayed. (Ex.: T H15)
If several errors are detected, press the **■** button to display each.

15.2.2. Re-Display

- Press the power button to turn off the power, and then turn on the power.
- The details of self diagnosis are stored in the unit memory.
To retrieve them, follow the procedure described the above, “Activating Self-Diagnosis Function and Displaying Method”.

15.3. Mode Table 1

Following modes are available with combinations of the pressed buttons on the player and on the remote controller unit.

Player	Remote Controller Unit	Usage
■ button	0	Error code display (Refer to the Item 15.4. DVD Error Code Description)
	5	Tilt adjustment (Jitter)
	6	Region number and broadcasting system check
	8	Built-in program version check (Micro-P)
	DISPLAY	DVD laser drive current check
	3	CD laser drive current check
	PAUSE	Writing of laser drive current value after replacement of optical pickup (Do use this function only when optical pickup is replaced.)
≧10	Initialization of the player (factory setting is restored.) Used after replacement of micro-computer and its peripherals and printed circuit board.	

15.4. DVD/CD Self-Diagnosis Error Code Description

Error Code	State, Conditon	Cause, Troubleshooting
H15	The disc tray cannot be opened: it closes spontaneously.	Disc tray open/close detection switch (S1001) failure. (Check and replace)
H16	The disc tray cannot be closed: it opens spontaneously.	

Error Code	Meaning	Details
U. H. Error		
U11	Focus servo failure	
H01	Tray loading failure	
H02	Spindle servo failure	(Spindle servo, DSC, SP motor, CLV servo failure)
H03	Traverse motor failure	
H04	Tracking servo error	
H05	Seek timeout failure	
DSC system		
F500	DSC failure	DSC stops due to servo failure. (Startup, focus failure, etc.)
F501	DSC not Ready failure	Communication failure between DSC and system computer (No communication because DSC does not move)
F502	DSC Time out failure	See F500.
F503	DSC communication failure	Communication failure (Result failure occurs after communication command is transmitted.)
F505	DSC Attention Error	See F500.
F506	Invalid media	Disc is placed upside down; TOC is unreadable or invalid disc is inserted.
Disc Code		
F103	Illegal highlight position	Disc standard is possibly illegal when highlight is displayed.
IIC Error		
F4FF	Forced initialization failure (Time out)	
F880	Unsuitable task number	When a message arrives from not existing task
F890	A message is sent during AV task transmission	During transmission of a message to AV task
F891	Unable to transmit a message to AV task	When transmission of a message to AV task starts
F893	FROM altered	
F894	EEPROM failure	
F895	Firmware version compatibility problem	
F897	Incomplete initialization	
F8A0	Unsuitable message command	When transmission of a message to AV task starts

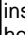



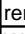
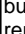

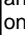
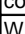
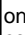

15.5. Error Codes Stored During No Play

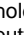
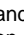
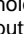
Error Code	Meaning	System Computer Item	Setting Task	Internal error in system computer
F0BF	6) Unable to replay due to physical layer identification failure	PCND_NOPLAY_PHYSICAL 0x50	DriveManager	0xD0BF
F0C0	8) DVD: Unable to replay due to no DVD Video/Audio/VR	PCND_NOPLAY_VIDEO 0x70	DiscManager	0xD0C0
F0C1	9) DVD: Prohibited due to illegal regional code	PCND_NOPLAY_RCD 0x80	DiscManager	0xD0C1
F0C2	A) DVD: No replay due to PAL system	PCND_NOPLAY_PAL 0x90	DiscManager	0xD0C2
F0C3	B) DVD: All title replay prohibited in parental setting	PCND_NOPLAY_PTL 0xA0	DiscManager	0xD0C3
F0C4	C) VCD: Prohibited due to PHOTO CD format	PCND_NOPLAY_PHOTOCD 0xB0	DiscManager	0xD0C4
F0C5	D) VCD/CD: Prohibited due to CD-ROM without CD-DA	PCND_NOPLAY_CDROM 0xC0	DiscManager	0xD0C5

15.6. Mode Table 2

Following modes are available with combinations of the pressed buttons on the player and on the remote controller unit.

Item	Operational Condition and Key Function	Details	Display	TO Exit Mode
Jitter display	While the player is stopped and no disc is inserted, press and hold down the ■ button on the player and the number button, "5" on the remote controller unit.	Jitter display Measures and displays jitter. Measurement is repeated every second. Read error counter starts at 0 at the mode setting, and increased by one as data read fails at target block. A small defect is allowed to correct by retry. Any possibility is counted as one increment. Repetitive errors after retry increase by two levels or more.	J ^{*1} xxx ^{*2} _yyy ^{*3} _zz ^{*4} ^{*1} : Jitter display mode ^{*2} : Jitter measurement value ^{*3} : Read error counter ^{*4} : Focus driving value Values are shown to one decimal place in the decimal digit. Focus driving value is displayed in the hexadecimal digit.	Press the STOP or OPEN button.
Error code display	While the player is stopped and no disc is inserted, press and hold down the ■ button on the player and the number button, "0" on the remote controller unit.	Error code display Displays the latest error code stored in EEPROM.	DVDnn_F--- ^{*nn} : Error history ^{*--} : Error number DVD 01 FOBF	Press the OPEN button.
Measurement of laser current electricity initialization value	While the player is stopped and no disc is inserted, press and hold down the ■ button on the player and the ■ button on the remote controller unit.	Measurement of laser current electricity initialization value Memorizes each initialization value of DVD and CD in EEPROM.	LDO ^{*1} _013 ^{*2} _032 ^{*3} ^{*1} : Laser current electricity measurement mode ^{*2} : DVD current electricity value ^{*3} : CD current electricity value Values are shown in the decimal digit. The above example indicates that the current electricity initialization value is 13mA at DVD laser and 32mA at CD laser when laser is turned on.	Automatically exits the mode after five seconds.
Measurement of DVD laser current electricity	While the player is stopped and no disc is inserted, press and hold down the ■ button on the player and the DISPLAY button on the remote controller unit.	Measurement of DVD laser current electricity Measures DVD laser current electricity and displays the result together with the initialization value stored in EEPROM. After measurement, DVD laser is lit till the power is turned off (or goes off when the primary power is turned off).	LDD ^{*1} _012 ^{*2} _014 ^{*3} ^{*1} : DVD laser current electricity measurement mode ^{*2} : Current electricity initialization value stored in EEPROM ^{*3} : Present value of current electricity Values are shown in the decimal digit. The above example indicates that the current electricity initialization value is 12mA and its present value is 14mA.	Automatically exits the mode after five seconds.
ADSC internal RAM display	While the player is stopped and no disc is inserted, press and hold down the ■ button on the player and the number button "1" or "2" on the remote controller unit.	ADSC internal RAM display Reads and displays the RAM value inside ADSC. The address is renewed when the CLEAR key is pressed so that the values at eleven points appear.	A ^{*1} _FB0 ^{*2} _0000 ^{*3} ^{*1} :ADSC internal RAM display mode ^{*2} : Address ^{*3} : RAM value at displayed address Values are shown in the hexadecimal digit. The above example indicates that ADSC value at the address, FB0h is 0000h.	Press the STOP or OPEN button.


Item	Operational Condition and Key Function	Details	Display	TO Exit Mode
Measurement of CD laser current electricity	While the player is stopped and no disc is inserted, press and hold down the  button on the player and the number button "3" on the remote controller unit.	Measurement of CD laser current electricity Measures CD laser current electricity and displays the result together with the initialization value stored in EEPROM. After measurement, CD laser is lit till the power is turned off (or goes off when the primary power is turned off).	LDC ^{*1} _032 ^{*2} _032 ^{*3} ^{*1} : CD laser current electricity measurement mode ^{*2} : Current electricity initialization value stored in EEPROM ^{*3} : Present value of current electricity Values are shown in the decimal digit. The above example indicates the current electricity initialization value is 28mA and its present value is 26mA when laser is turned on.	Automatically exits the mode after five seconds.
User initialization	While the player is stopped and no disc is inserted, press and hold down the  button on the player and the number button "10" on the remote controller unit.	User initialization The user setting recovers the factory setting.	"INITIALIZE"	-
Region display	While the player is stopped and no disc is inserted, press and hold down the  button on the player and the number button, "6" on the remote controller unit.	Region display	[srrrxyzzzz] s : Panecon model type rrr : Panecon release number x : Syscon generation (45) y : Syscon model type zzz : Syscon release number	Automatically exits the mode after five seconds.
Firmware version display	While the player is stopped and no disc is inserted, press and hold down the  button on the player and the number button, "7" on the remote controller unit.	Firmware version display	rrr ^{*1} _xx ^{*2} y ^{*3} zzz ^{*4} ^{*1} : Panel computer release number ^{*2} : System computer generation ^{*3} : System computer model type ^{*4} : System computer release number	Automatically exits the mode after five seconds.
Region and firmware display	While the player is stopped and no disc is inserted, press and hold down the  button on the player and the number button, "8" on the remote controller unit.	Region and firmware version display	_r ^{*1} _xx ^{*2} y ^{*3} zzz ^{*4} ^{*1} : Region number ^{*2} : System computer generation ^{*3} : System computer model type ^{*4} : System computer release number	Automatically exits the mode after five seconds.
Laser use time	While the player is stopped and no disc is inserted, press and hold down the  button on the player and the  button on the remote controller unit.	Laser usage time Measures each for DVD and CD respectively.	T1_1234_5678 The numbers in the left show usage time for DVD laser and those in the right for CD laser. The four-digit number is shown by the ten hours in the decimal digit. The number after 0000 is 9999.	Automatically exits the mode after five seconds.
Reset laser use time	While the usage time 1 is displayed, press and hold down the  button on the player and the  button on the remote controller unit.	Laser usage time reset Resets both for DVD and CD at once.	T1_0000_0000	Automatically exits the mode after five seconds.
Spindle use time	While the player is stopped and no disc is inserted, press and hold down the  button on the player and the  button on the remote controller unit.	Spindle motor usage time	T2_12345 The four-digit number is shown by the ten hours in the decimal digit. The number after 00000 is 99999.	Automatically exits the mode after five seconds.

Item	Operational Condition and Key Function	Details	Display	TO Exit Mode
Reset spindle use time	While the usage time 2 is displayed, press and hold down the  button on the player and the  button on the remote controller unit.	Usage time 2 reset Spindle motor usage time	T2_00000	Automatically exits the mode after five seconds.
Communication error display	While the player is stopped and no disc is inserted, press and hold down the  button on the player and the MENU button on the remote controller unit.	Displays frequency of communication errors between system computer firm IC and mechanical computer IC during DVD module.	ERR_00/30	Automatically exits the mode after five seconds.

15.7. Tray Lock Function

15.7.1. Setting

• Disc Lock Function

1. With the SELECTOR on DVD/CD and POWER ON, hold down the [ STOP] KEY on the main unit, and then press the [POWER] KEY on the remote control for 3 seconds to enter to Lock mode A. [_ _ _ LOCKED _] will be displayed for 3 seconds, and then current disc will begin playing.
2. In Lock mode A, the following key is disabled.
[OPEN/CLOSE]


• Operation Lock Function

1. With the SELECTOR on DVD/CD and POWER ON, hold down the [CD PLAY] KEY on the main unit, and then press the [POWER] KEY on the remote control for 3 seconds to enter Lock mode B.
[_ _ _ LOCKED _] will be displayed for 3 seconds, and the current disc will begin playing.
2. Lock mode B primarily controls the selector and disc operations, and disenables for the following keys.

Note:

OPEN/CLOSE  button are invalid and the player displays “___LOCKED_” while the lock function mode is entered.







• Prohibiting operation of selector and disk

1. Select the DVD/CD function.
2. Press and hold down the  button on the player and the power button on the remote controller unit for at least three seconds. (The message, “___LOCKED_” appears when the function is activated.)

Note:


The following buttons are invalid and the player displays “___LOCKED_” while the lock function mode is entered.

Main unit:  ,  ,  ,  ,  ,
 ,  , 

Remote control:  ,  ,  ,  ,
 , 

15.8. Things to Do After Repair

Follow the procedure described below after repair.

1. While the power is on, press the  button to close the tray.
2. Press the power button to turn off the power.
3. Unplug the power cable.

Note:

It is prohibited to unplug the power cable while the tray is opened and to close the tray manually.

16 Cautions To Be Taken During Servicing

16.1. Recovery after the dvd player is repaired

- When Flash ROM or module(2) P.C.B. is replaced, carry out the recovery processing to optimize the drive. Playback the recovery disc to process the recovery automatically.
- Recovery disc (Product number=RFKZD03R004)
- Performing recovery
 1. Load the recovery disc (Product number: RFKZD03R004) to the player and run it.
 2. Recovery is performed automatically. When it is finished, a message appears on the screen.
 3. Remove the recovery disc.
 4. Turn off the power.

Note:

This unit requires no initialization process carried out after the traditional DVD players were repaired. When the recovery measures are taken, the customer setting will return to the factory setting as same as the procedure described in item "Initialization" in 9.6 is carried out. Write down the contents of the setting before recovery processing, and reset the player.

16.2. DVD Player Firmware Version Upgrade Process

Firmware of DVD player may upgrade to conform to improvement of its performance and quality including operational range, playability of non-standardized discs, etc. The version upgrade disc contains the recovery function, and the recovery disc is not necessary.

Note:

Version upgrade process cannot be complete if the AC power is cut off due to power failure and other occasions during the process. If this occurs, replace FLASH ROM and restart version upgrade. Version upgrade disc number is informed when ordered.

16.3. Firmware Version Upgrade Process by Using Disc and Recovery Process

- Recovery process
- Firmware version upgrade process

Both of the above procedures automatically start when the recovery disc is replayed. General CD-R disc allows version upgrade process and recovery process, making version upgrade through disc simple.

Recovery process: Optimization process of player after replacement of FLASH ROM, EEPROM, or module circuit board

Version upgrade process: Renewal of firmware for improvement of operational range and performance

16.3.1. Self-Diagnosis Function

- Total usage time display (spindle motor, DVD/CD laser)
- ADSC internal RAM display
- Others: Last error count.....20 items

Efficiency of failure diagnosis is expected to improve by using the above functions together with the repair process.

[Purpose of Use]

Total usage time display: used for estimating a failure due to exhausted spindle motor, laser, or other parts.

ADSC internal RAM display: used for deciding servo system failure according to servo learning values.

16.4. Using Recovery Disc

16.4.1. Recovery Process

1. Insert the recovery disc (RFKZD03R004) to the player to replay.
2. The recovery process automatically starts, and a message of completion prompts on the screen.
3. Remove the disc.
4. Turn off the power.

16.4.2. Version Upgrade Process

1. Insert the recovery disc to the player to replay.



2. The version of player is automatically checked and prompts if necessary.
3. Select version upgrade process using the cursor keys on the remote controller unit. (Select YES or NO)
4. a. If YES is selected, the process starts.
b. If NO is selected, only the recovery process is applied.
5. a. When the version upgrade process is complete, a message of completion appears on the screen. Remove the disc.
b. Follow the instruction appearing on the screen, and remove the disc.
6. Turn off the power.


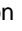
16.5. Total Usage Time Display

1. Details of Operation/Display



1 2 3 4 5 6 7 8	Total usage time of DVD/CD lasers Time is shown by the ten hours in the decimal digit.
____ T 2 _ 1 2 3 4	Total usage time of spindle motor Time is shown by the ten hours in the decimal digit.


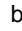
Keys for Operation:

Laser usage time: While the player is stopped and no disc is inserted, press both the  button on the player and the  button on the remote controller unit.

Spindle motor usage time: While the player is stopped and no disc is inserted, press both the  button on the player and the  button on the remote controller unit.

To reset the usage time, **while the usage time is displayed:**

Laser usage time: press both the  button on the player and the  button on the remote controller unit.

Spindle motor usage time: press both the  button on the player and the  button on the remote controller unit.

2. Purpose of Use

To obtain reference data of laser and spindle motor systems during failure diagnosis.

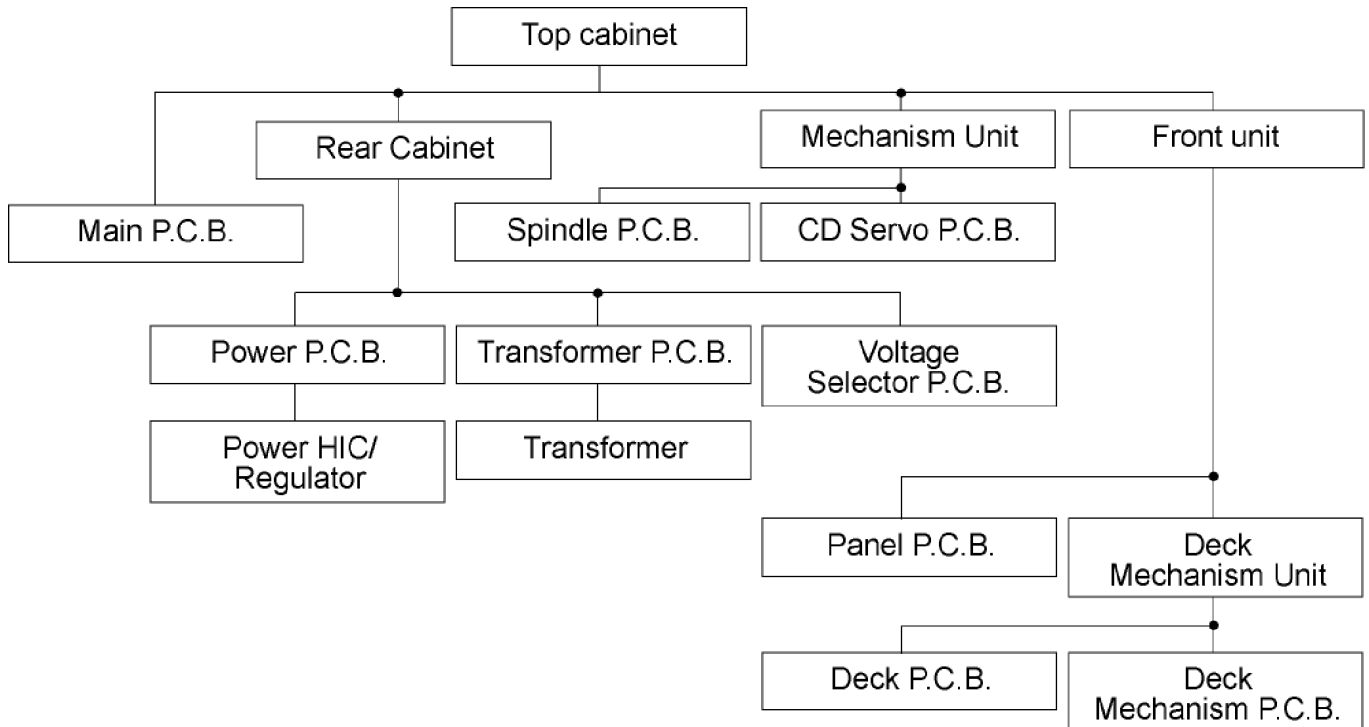
To check faulty parts during re-repair.

17 Disassembly and Assembly of Main Component

17.1. Disassembly flow chart

The following chart is the procedure for disassembling the casing and inside parts for internal inspection when carrying out the servicing.

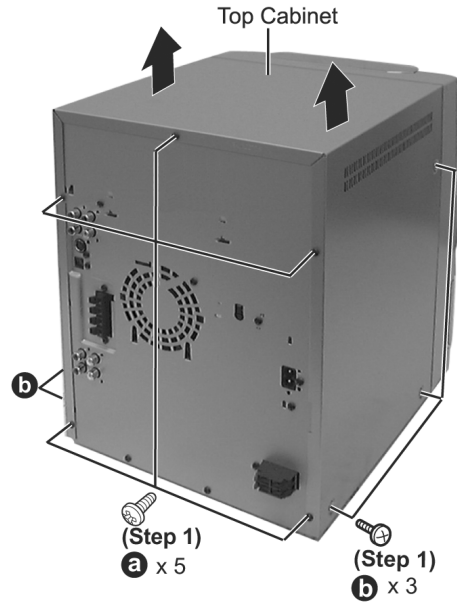
To assemble the unit, reverse the steps shown in the chart as below.



17.2. Disassembly of Top Cabinet

Step 1 Remove 3 screws each side and 5 screws at rear panel.

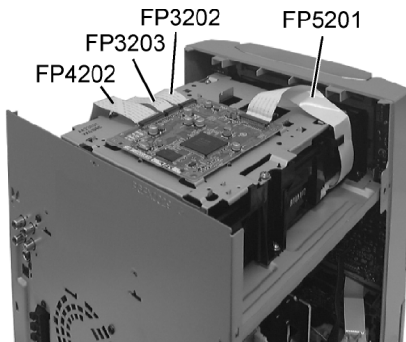
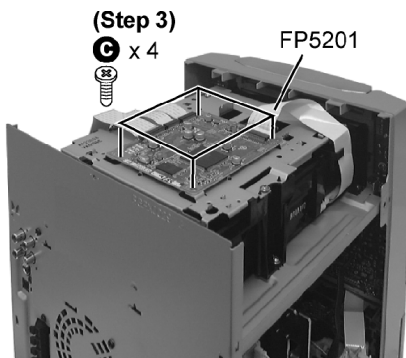
Step 2 Lift up both sides of cabinet ass'y, push the cabinet ass'y toward the rear and remove the top cabinet.



17.3. Disassembly of DVD Module (2) P.C.B.

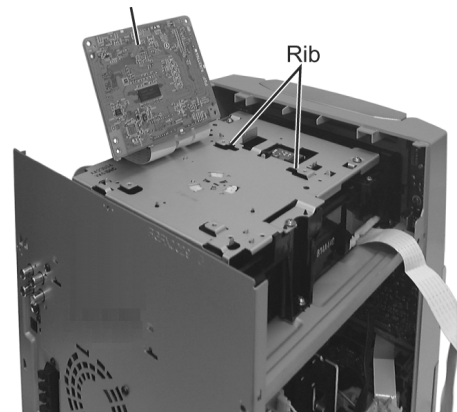
· Follow the (Step 1) - (Step 2) of Item 17.2.

Step 1 Remove 4 screws.



Step 2 Detach FFC boards (FP5201, FP3202, FP3203 & FP4202).

DVD Module (2) P.C.B.



Step 3 Lift up DVD Module (2) P.C.B. as shown to remove it.

17.4. Disassembly for the Top Ornament Unit

(The DVD changer unit can be removed after the Top Ornament Unit is removed)

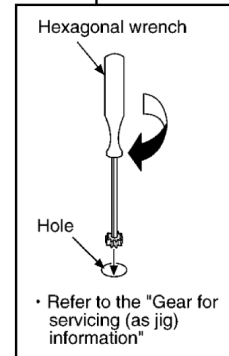
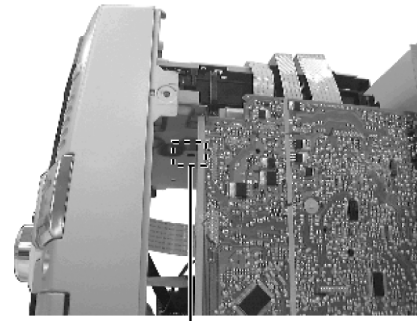
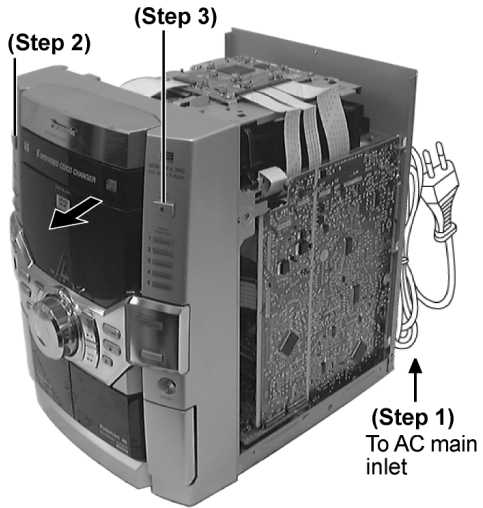
· Follow the (Step 1) - (Step 2) of Item 17.2.

When opening the disc tray automatically (Using Power Supply)

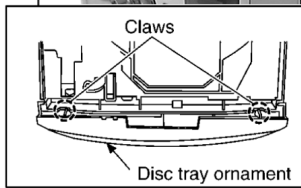
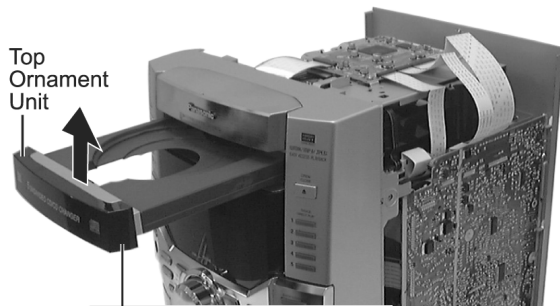
Step 1 Connect the AC power cord.

Step 2 Press the power button to power up the main unit.

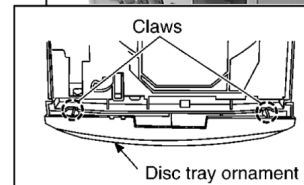
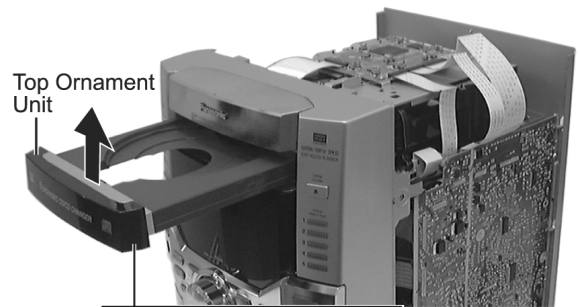
Step 3 Press the OPEN/CLOSE button, the disc tray will be open automatically.



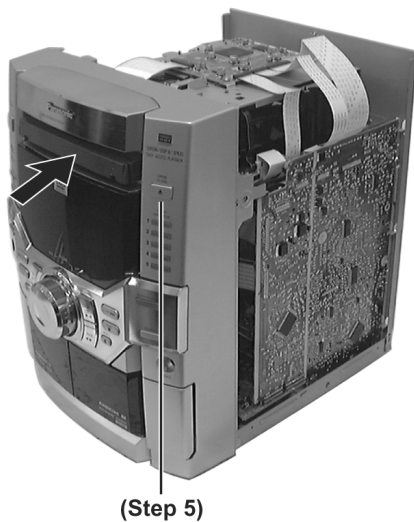
Step 1 Insert the gear tool into the hole on the underside of changer chassis and then rotate in the direction of arrow. The disc tray will be open.



Step 4 Release the 2 claws, and then remove the Top Ornament Unit.

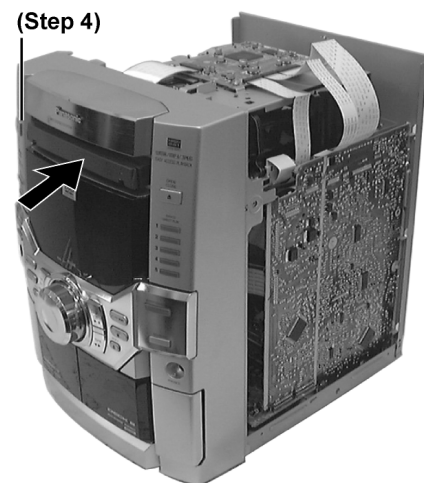


Step 2 Release the 2 claws, and then remove the CD lid cover.



Step 5 Press the OPEN/CLOSE button, the disc tray will be close.

[Open the disc tray manually (Using service tools)]



Step 3 Repeat Step 1 but rotate in anti-clockwise direction.

17.5. Disassembly for DVD changer unit

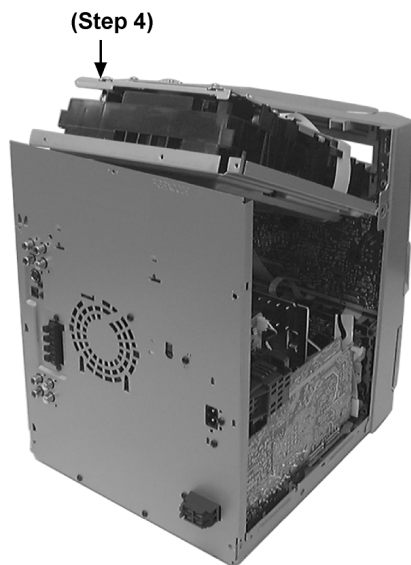
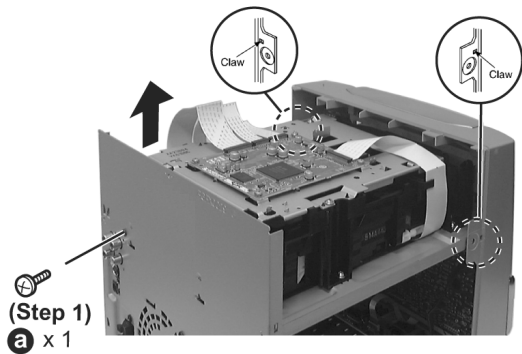
- Follow the (Step 1) - (Step 2) of Item 17.2.
- Follow the Disassembly for the Top Ornament Unit of Item 17.4.

Step 1 Detach FFC Boards (FP5201, FP3202, FP3203 & FP4202).

Step 2 Remove 1 screw at rear cabinet as show below.

Step 3 Lift up the mechanism unit cover, and then push in the mechanism unit cover.

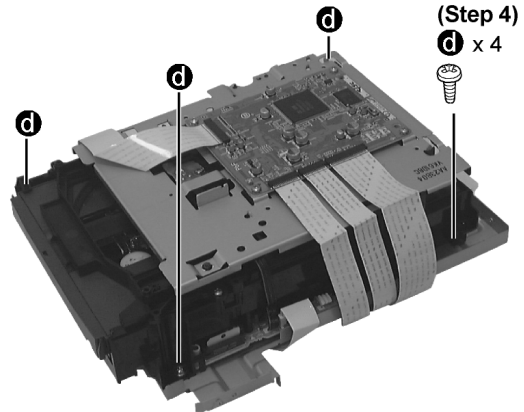
Step 4 Release the claws of both ends, and then lift up the DVD changer unit.



17.5.1. Disassembly of the DVD Module (1) P.C.B.

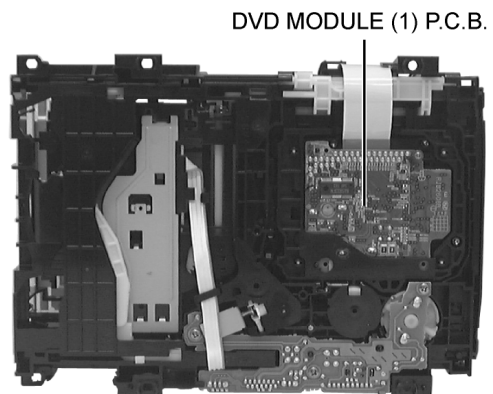
- Follow the (Step 1) - (Step 2) of Item 17.2.
- Follow the Disassembly for the Top Ornament Unit of Item 17.4.
- Follow the (Step 1) - (Step 4) of Item 17.5.

Step 1 Remove 4 screws.



Step 2 Remove the mechanism unit cover.

Step 3 Lay the unit.

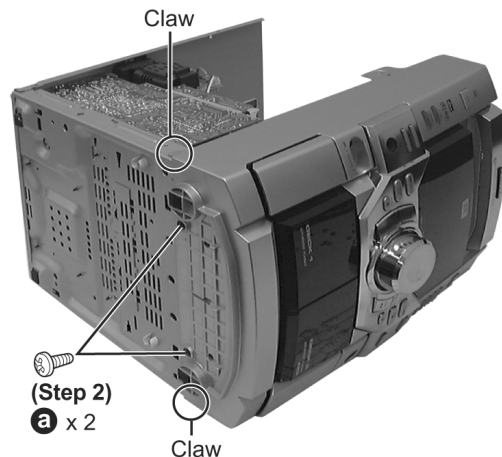


Step 4 Connect the FFCs board from DVD Module (1) P.C.B..

17.6. Disassembly for Panel P.C.B., LED P.C.B. & Tact Switch P.C.B.

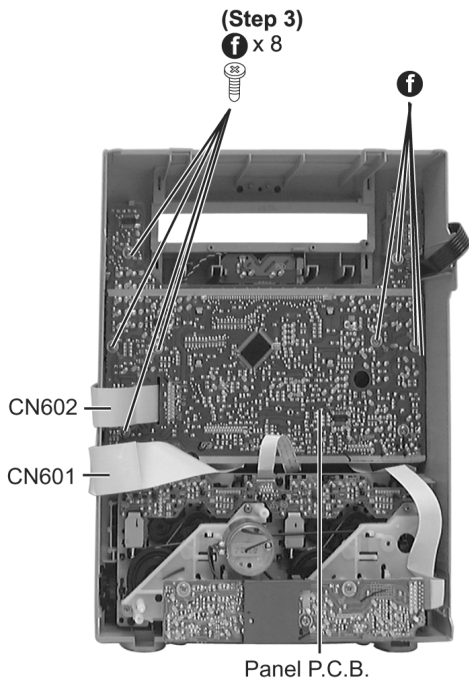
- Follow the (Step 1) - (Step 2) of Item 17.2.
- Follow the Disassembly for the Top Ornament Unit of Item 17.4.

Step 1 Lay the unit as shown below.



Step 2 Remove 2 screws at bottom chassis.

Step 3 Release the 2 claws, and then draw the front panel ass'y forward.



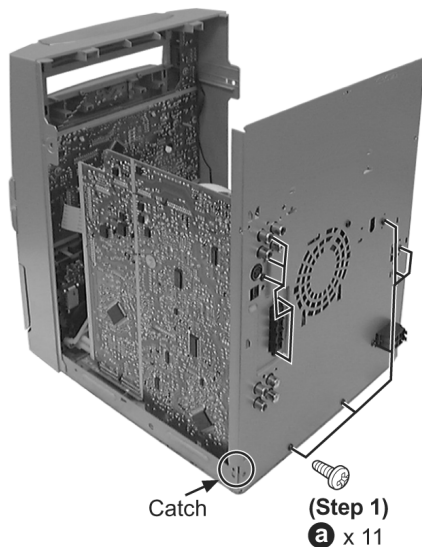
• Disassembly of Panel P.C.B.

17.7. Disassembly of Main P.C.B., Power P.C.B., Transformer P.C.B. & Voltage Selector P.C.B.

- Follow the (Step 1) - (Step 2) of Item 17.2.
- Follow the Disassembly for the Top Ornament Unit of Item 17.4.

Step 1 Remove the 11 screws.

Step 2 Push the catch outwards & draw the rear panel backwards to remove it.



Step 3 Detach connectors CN601, CN602 and CN302.

Step 4 Lift up the Main P.C.B. to remove it.

Caution Note:

Avoid using/ exerted strong force when removing the Main P.C.B.

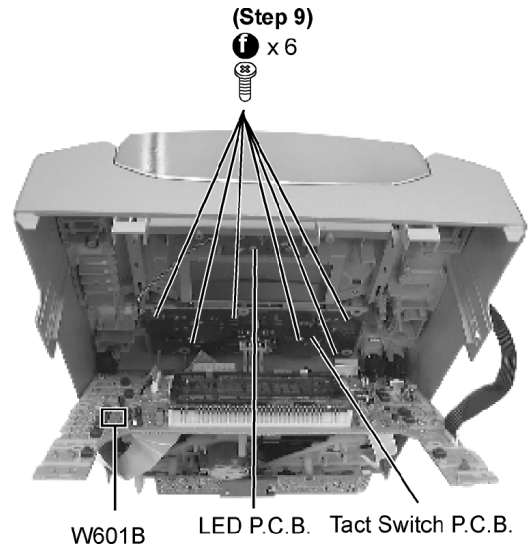
Step 4 Remove the 8 screws.

Step 5 Disconnect FFC board (CN601 & CN602).

Step 6 Draw the Panel P.C.B. forward to remove it.

• Disassembly of Tact Switch P.C.B. & LED P.C.B.

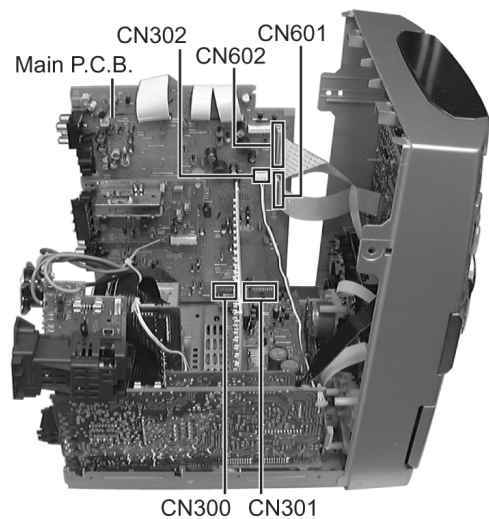
Step 7 Remove the volume knob.



Step 8 Disconnect connector W601B.

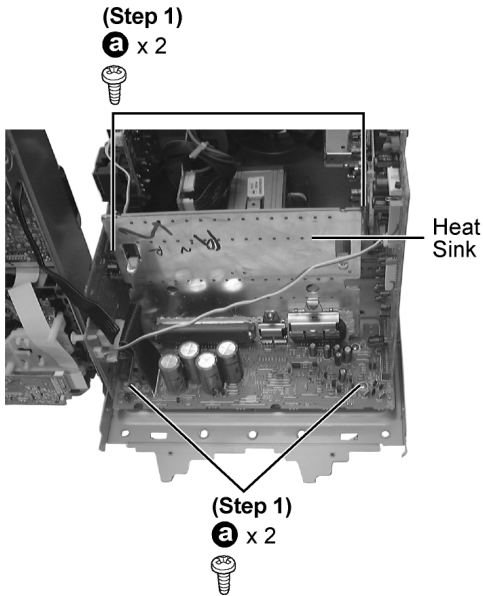
Step 9 Remove 6 screws.

Step 10 Draw Tact Switch P.C.B. forward.

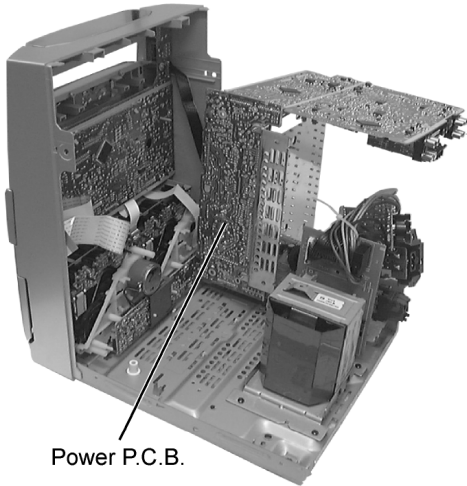


• Disassembly of Power P.C.B.

- Follow the (Step 1) - (Step 2) of Item 17.2.
- Follow the Disassembly for the Top Ornament Unit of Item 17.4.
- Follow the (Step 1) - (Step 4) of Item 17.5.
- Follow the (Step 1) - (Step 4) of Item 17.6.



Step 1 Remove the 4 screws.



Step 2 Detach wire.

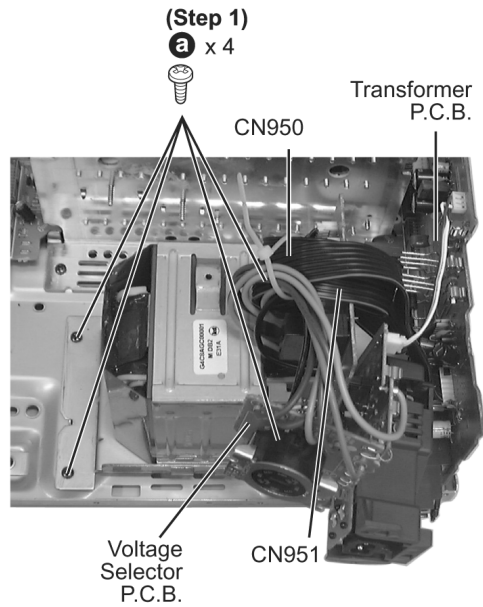
NOTE:

Insulate Power P.C.B. with insulation material to avoid short circuit.

· Disassembly of the Transformer P.C.B. & Voltage Selector P.C.B.

- Follow the (Step 1) - (Step 2) of Item 17.2.
- Follow the Disassembly for the Top Ornament Unit of Item 17.4.
- Follow the (Step 1) - (Step 4) of Item 17.5.

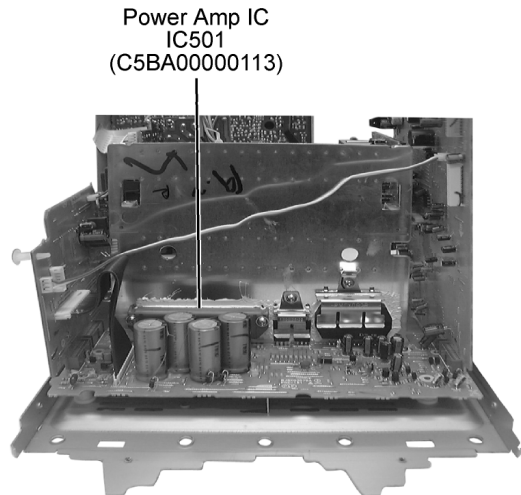
Step 1 Remove 4 screws.



Step 2 Disconnect connector CN950 & CN951.

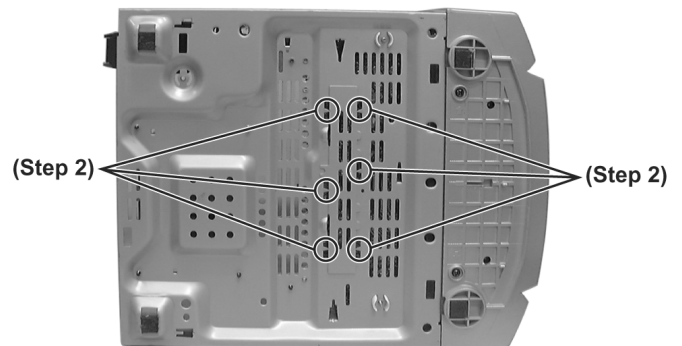
· Replacement of Power Amp IC

Step 1 Remove the 2 screws fixed to the Power Amplifier IC.

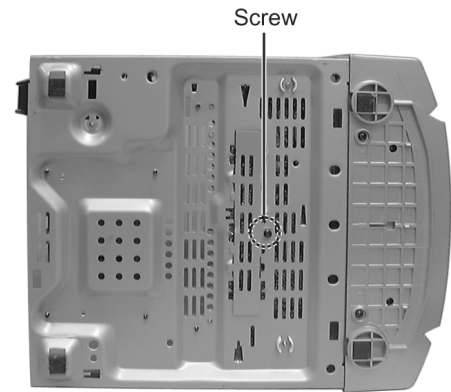
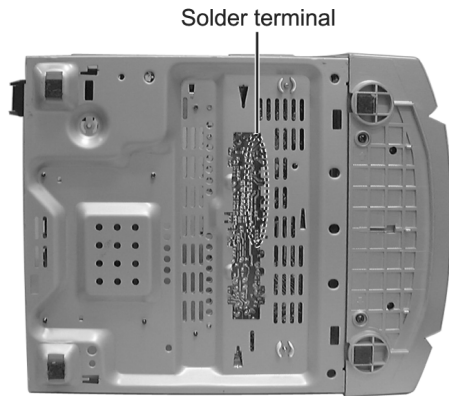


Step 2 Remove 2 screws fixed to the Power Amplifier IC and Transistor Holders.

Step 3 Break the joint with a metal cutter as shown below.



Step 4 Unsolder the terminals of Power Amp IC, replace the component.

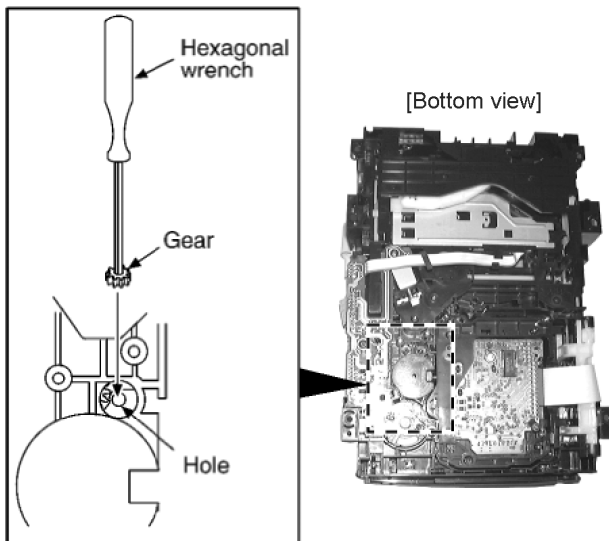


Step 5 Fix back the bottom chassis with a screw as shown.

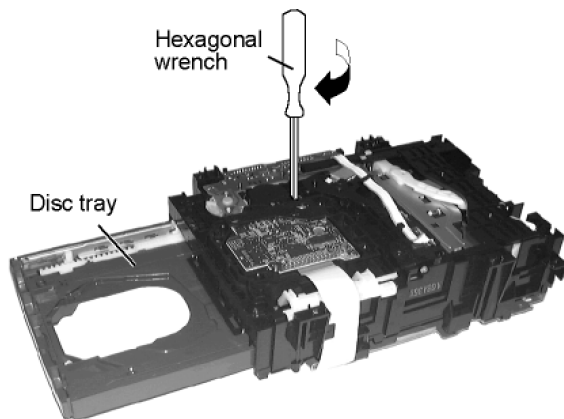
17.8. DVD Changer Unit Main Component Replacement Procedures

17.8.1. Replacement of the Traverse Deck

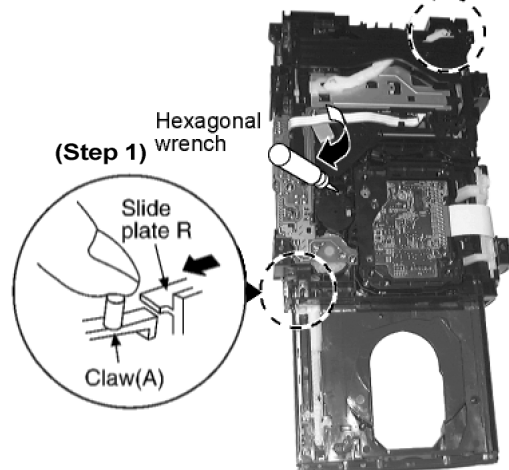
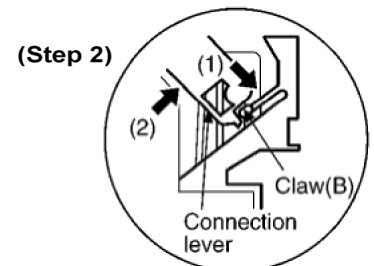
- Follow the (Step 1) - (Step 2) of Item 17.2.
- Follow the Disassembly for the Top Ornament Unit of Item 17.4.
- Follow the (Step 1) - (Step 4) of Item 17.5.
- Follow the (Step 1) - (Step 2) of Item 17.5.1.



Step 1 Insert the gear with hexagonal wrench into the hole.

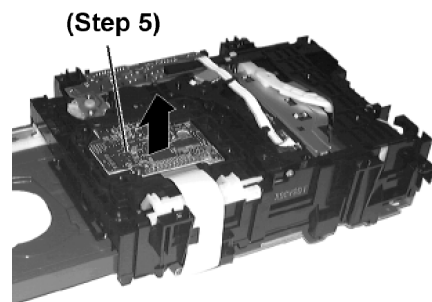


Step 2 Rotate the hexagonal wrench in the direction of arrow (clockwise), and then open the disc tray fully.

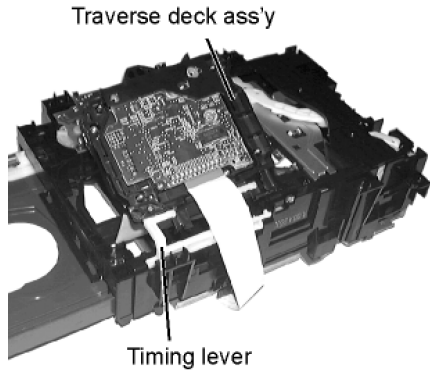


Step 3 With pressing the claw (A), rotate the hexagonal wrench clockwise. (The slide plate R moves for a little amount.)

Step 4 Pressing the claw (B) in the direction of arrow (1), the connection lever moves in the direction of arrow (2).



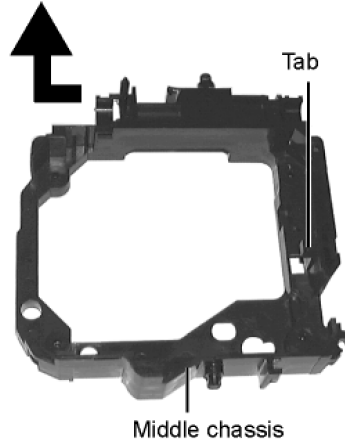
Step 5 Lift up the traverse deck ass'y.



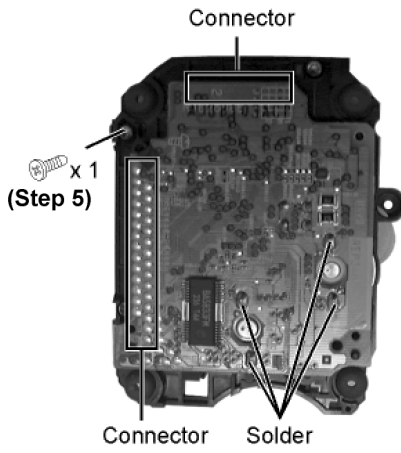
Step 6 Remove the traverse deck ass'y from the timing lever.

Caution:

When removing or inserting the traverse deck avoid touching the OPU lens and pressing onto the turntable.



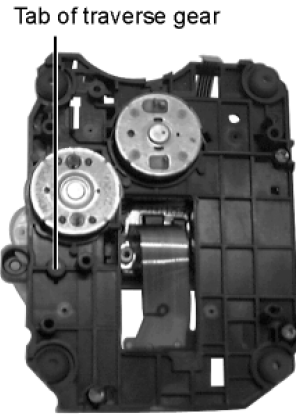
Step 11 Disengage the tabs from the traverse gear.



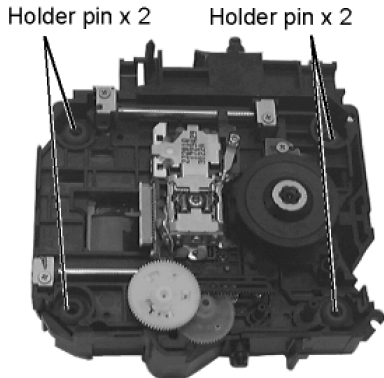
Step 7 Remove 3 screws.

Step 8 Unsolder the motor terminals (4 points).

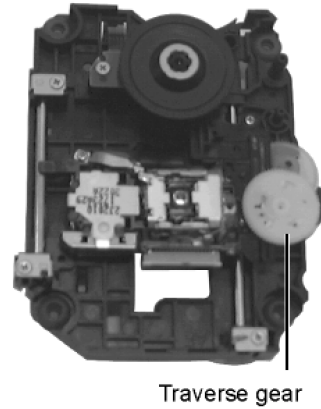
Step 9 Remove the holder pins.



Step 12 Remove the traverse gear.



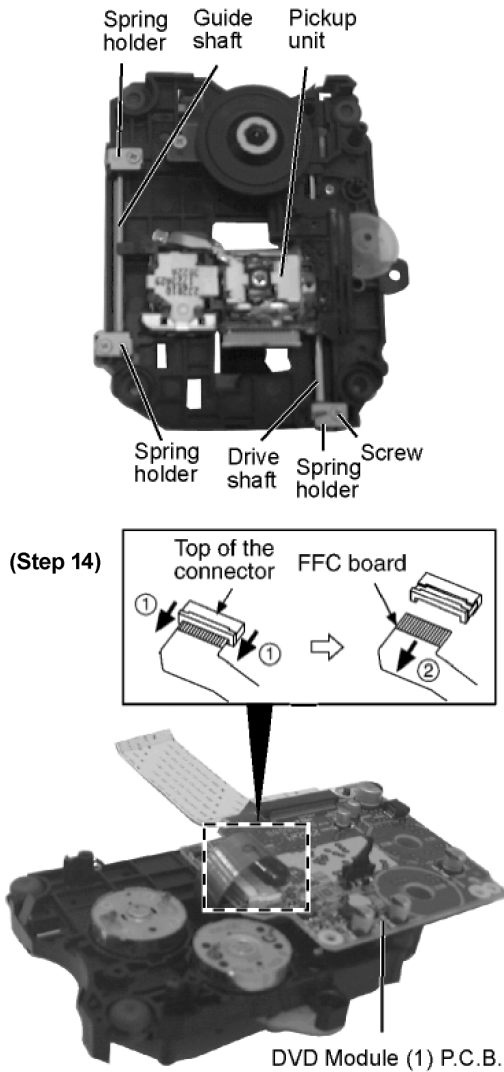
Step 10 Remove the tab.



Step 13 Unscrew the screws.

Step 14 Remove the spring holders and the springs.

Step 15 Pull out the drive shaft and guide shaft.



Step 16 Remove the FFC board from the connector, and then remove the DVD Module (1) P.C.B.

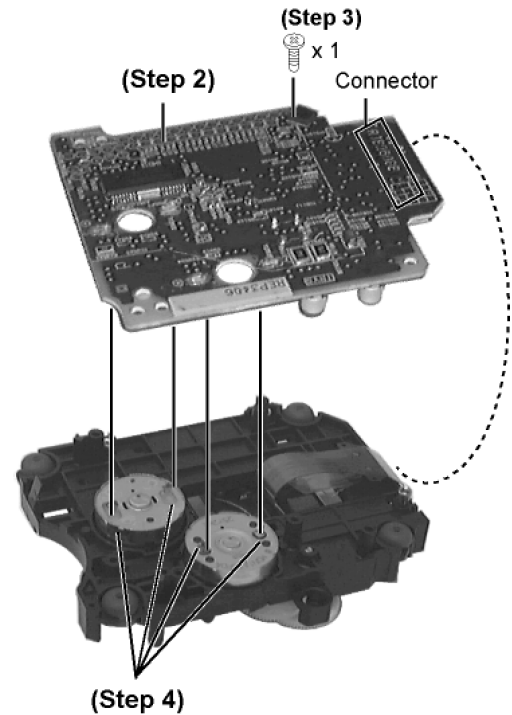
· **Installation of the DVD Module (1) P.C.B. after replacement**

Step 1 Connect the FFC board.

Step 2 Install the DVD Module (1) P.C.B. in the traverse deck ass'y.

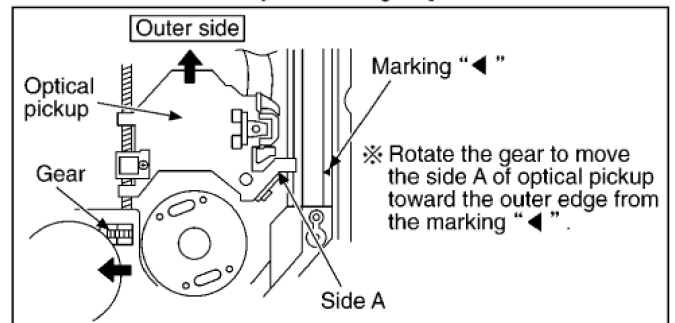
Step 3 Remove 3 screws.

Step 4 Solder.

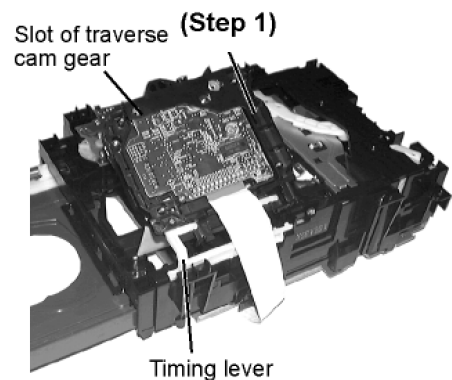


· **Note for installation of the DVD Module (1) P.C.B.**

Before installing the CD servo P.C.B., move the optical pickup toward the outer edge from the mark "◀".
 [Otherwise, the rest detect switch (S701) mounted on the CD servo P.C.B. may be damaged.]

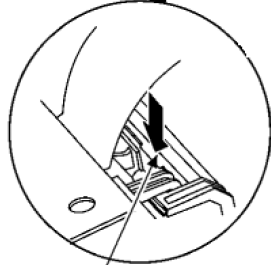
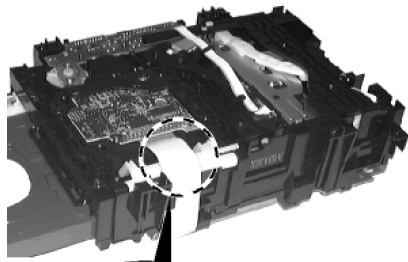


· **Installation for traverse deck ass'y**



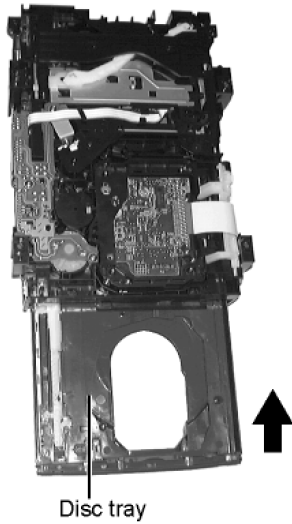
Step 1 Install the traverse deck ass'y to the timing lever.

Step 2 Align the boss of traverse deck ass'y with the slot of traverse cam gear.



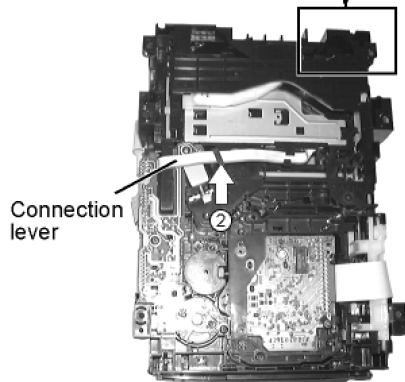
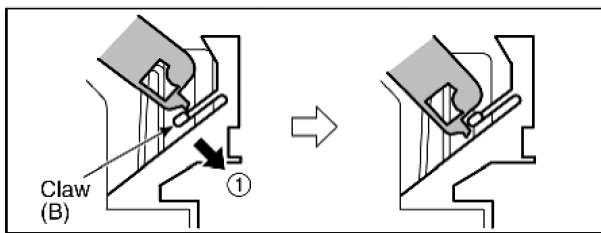
Claw of timing lever

Step 3 Force the claw of timing lever.



Disc tray

Step 4 Force the disc tray fully.

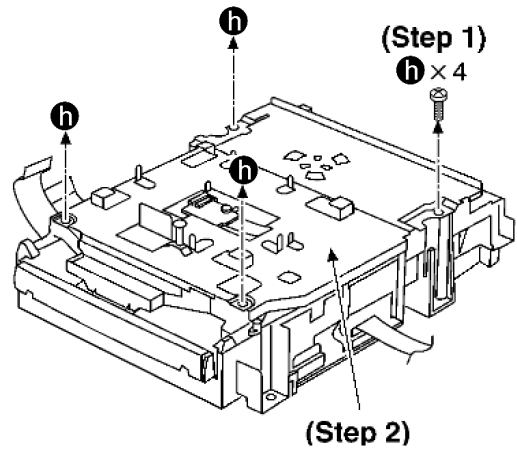


Connection lever

Step 5 With pressing the claw (B) in the direction of arrow (1), force the connection lever in the direction of arrow (2).

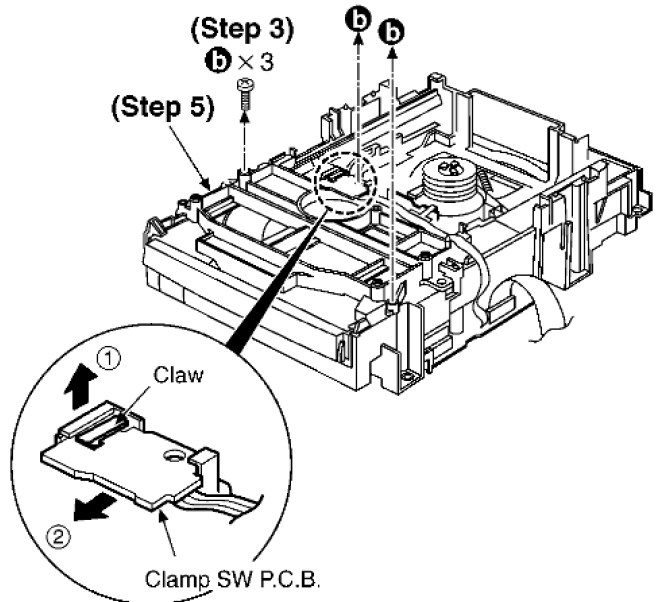
17.8.2. Replacement for the disc tray

Step 1 Remove 4 screws.



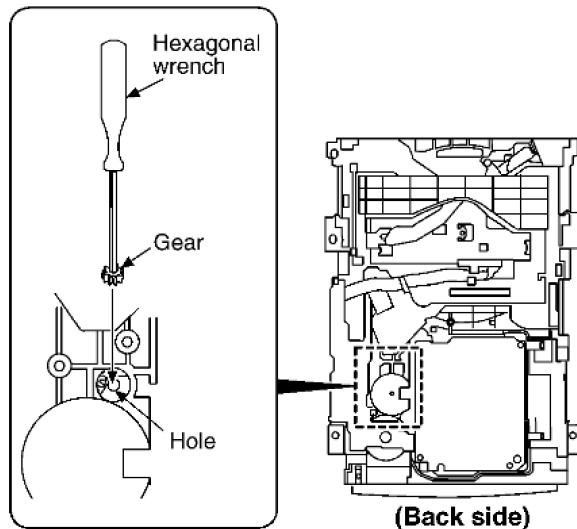
Step 2 Remove the upper plate.

Step 3 Remove 3 screws.



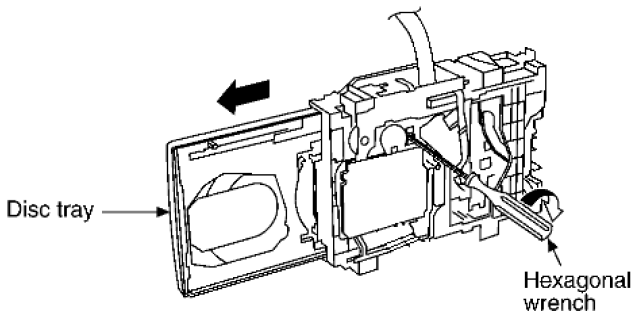
Step 4 With lifting the claw in the direction of (1), draw the clamp SW P.C.B. in the direction of arrow (2).

Step 5 Remove the mechanism cover.

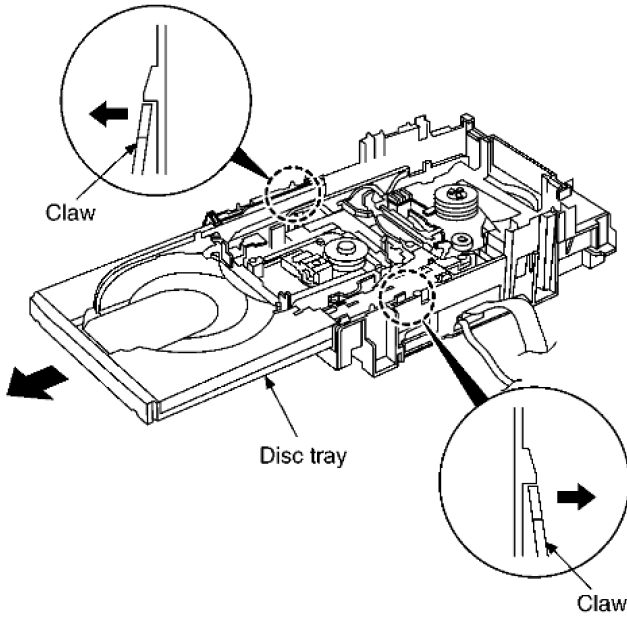


(Back side)

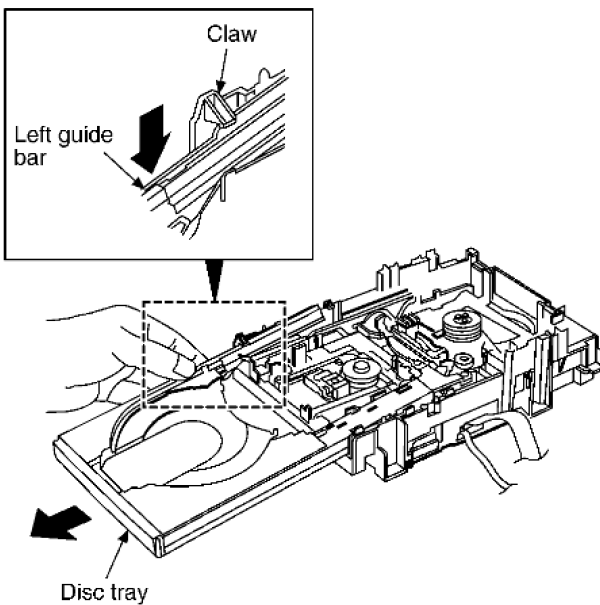
Step 6 Insert the gear with hexagonal wrench into the hole.



Step 7 Rotate the hexagonal wrench in the direction of arrow, and then open the disc tray fully.



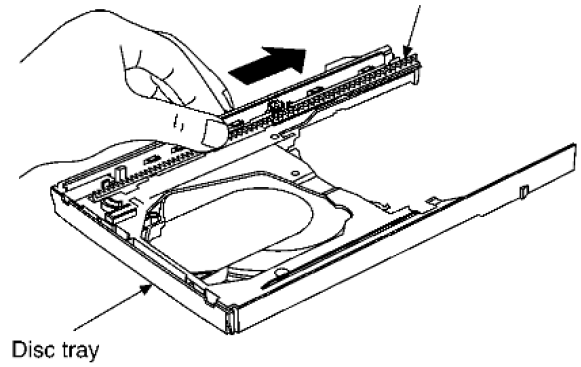
Step 8 Release the both claws, and then draw the disc tray.



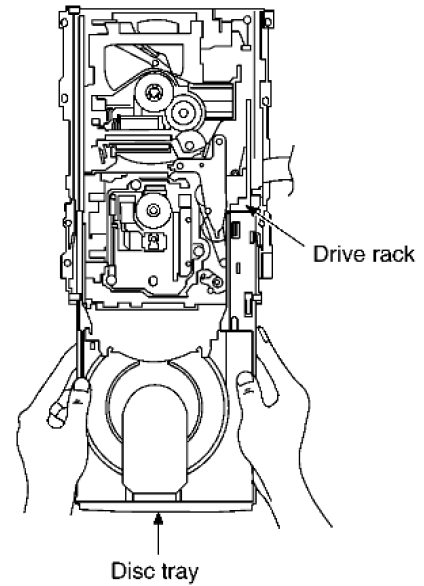
Step 9 With forcing the left guide bar manually because the left guide bar interferes with claw, draw the disc tray.

[Installation of the disc tray after replacement]

(Step 1)

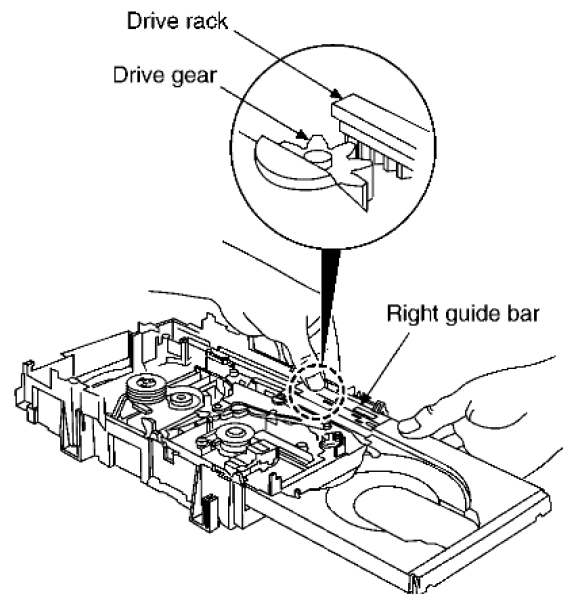


Step 1 Slide the drive rack fully in the direction of arrow.



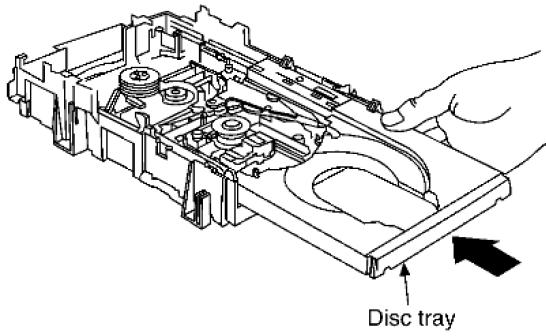
Step 2 Holding the drive rack not to move, install the disc tray.

Step 3 Align the drive rack with the drive gear.



NOTE:

Force the right guide bar of tray base manually not to move upwards.

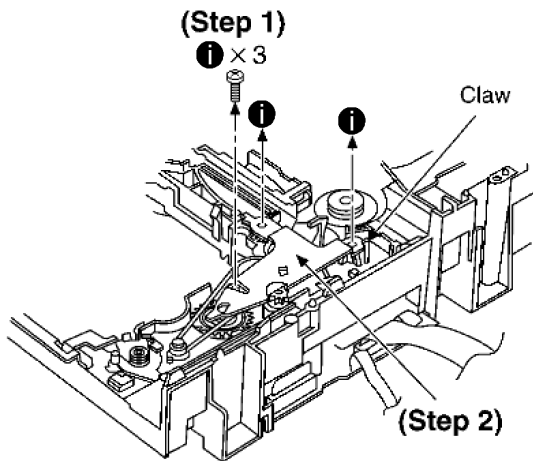


Step 4 Holding the disc tray manually, push the disc tray in the direction of the arrow.

17.8.3. Disassembly and reassembly for mechanism base drive unit

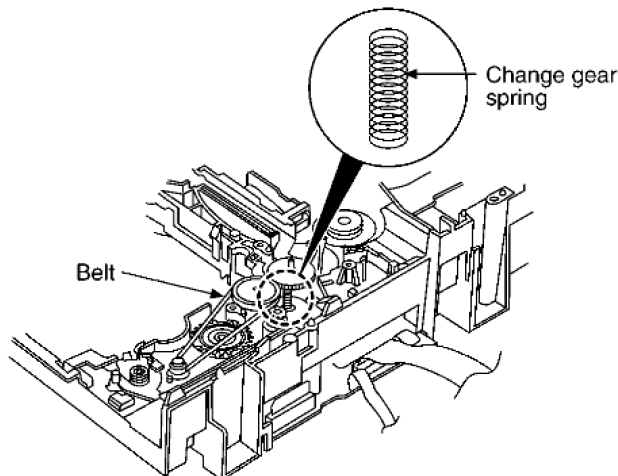
· Follow the (Step 1) - (Step 9) of Item 17.8.2.

Step 1 Remove 3 screws.



Step 2 Release the claw, and then remove the gear holder.

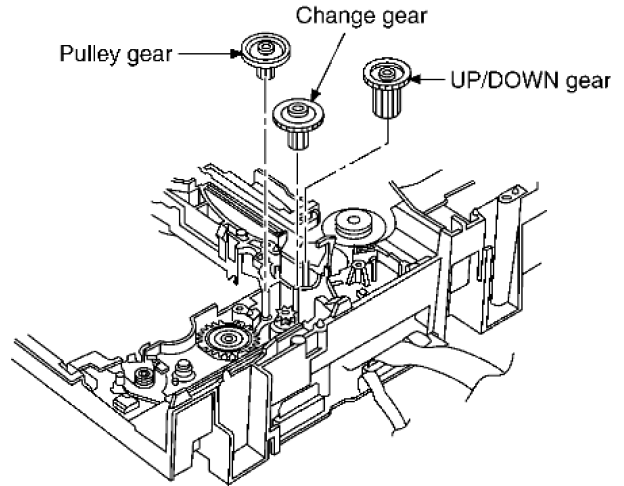
Step 3 Remove the belt and change gear spring.



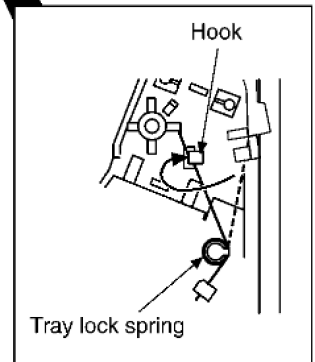
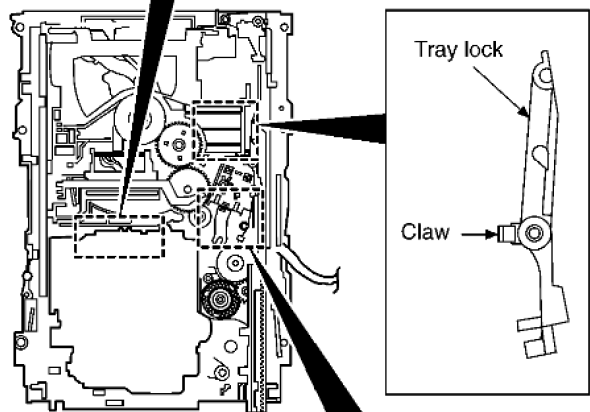
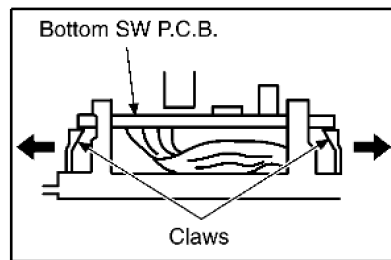
NOTE:

Take care not to lose the change gear spring.

Step 4 Remove the pulley gear, change gear and UP/DOWN gear.



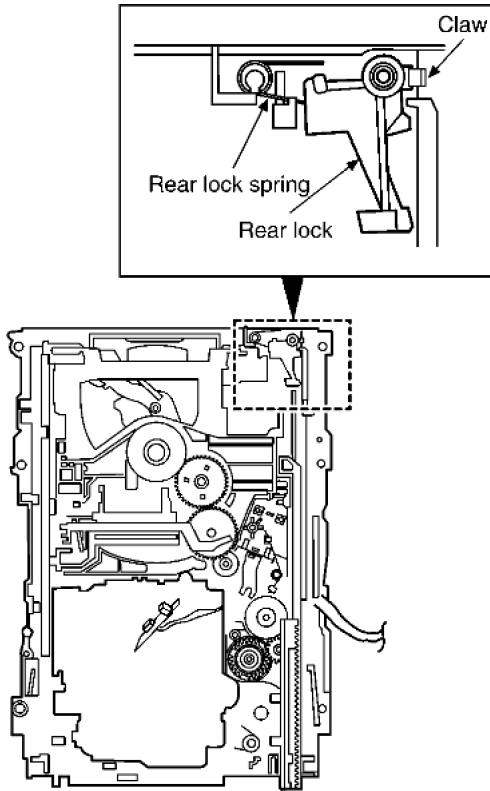
Step 5 Release the 2 claws, and then remove the bottom SW P.C.B..



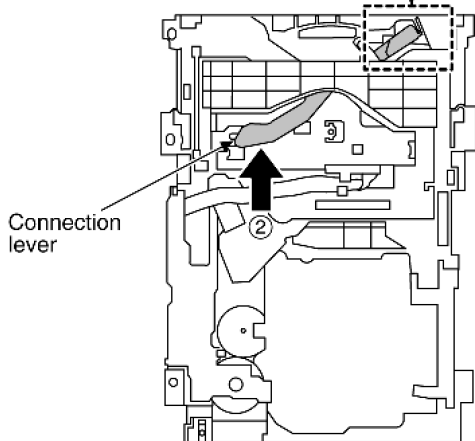
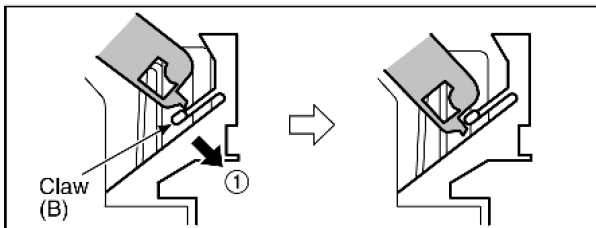
Step 6 Install the tray lock spring to hook temporary.

Step 7 Release the claw, and then remove the tray lock.

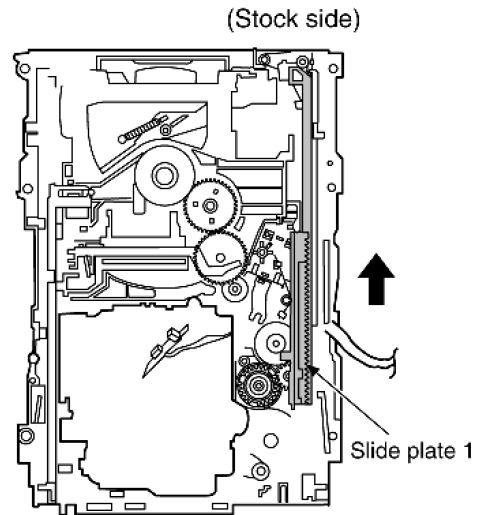
Step 8 Release the claw, and then remove the rear lock.



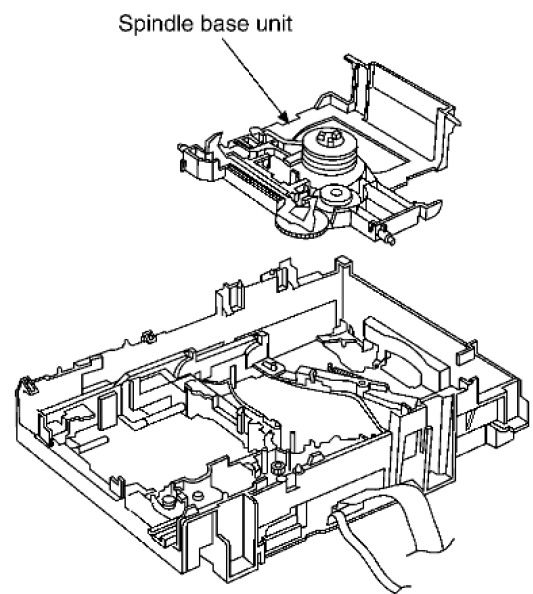
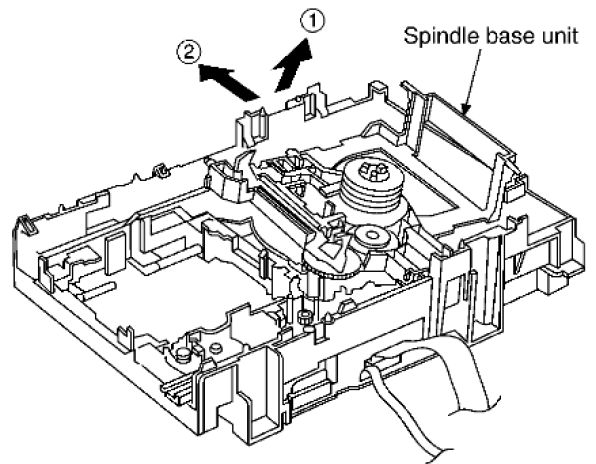
Step 9 Pressing the claw (B) in the direction of arrow (1), force the connection lever in the direction of arrow (2).



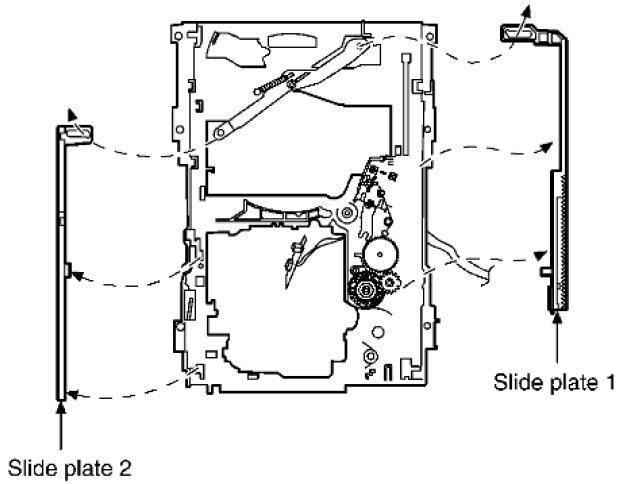
Step 10 Move the slide plate 1 to the end of stock side.



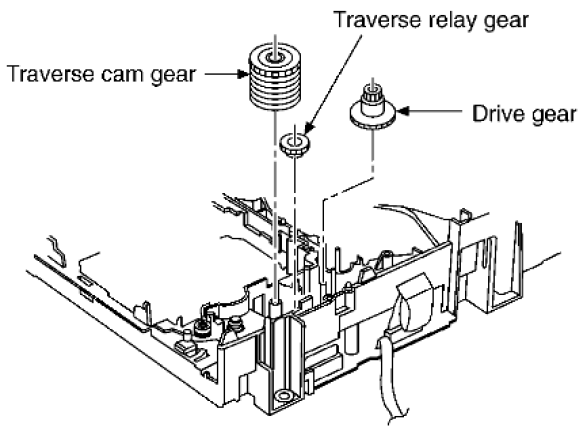
Step 11 Lift up the left end of spindle base unit in the direction of arrow (1), and then remove the unit in the direction of arrow (2).



Step 12 Remove slide plate 1 and slide plate 2.

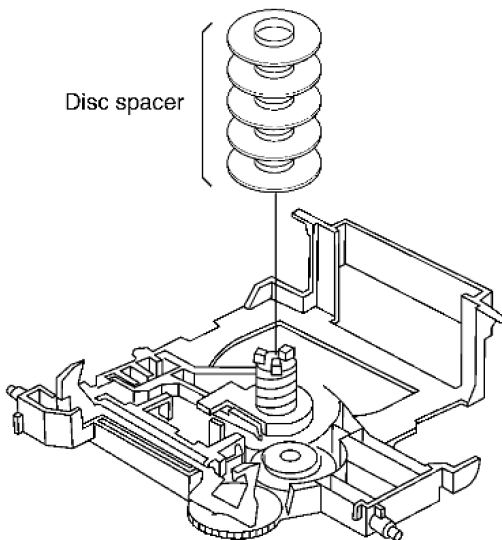


Step 13 Remove the traverse relay gear, traverse cam gear and drive gear.

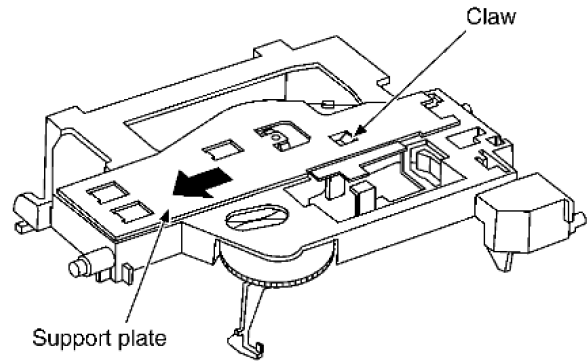


[Disassembly/reassembly for the spindle base unit]

Step 1 Draw the 5 disc spacers.

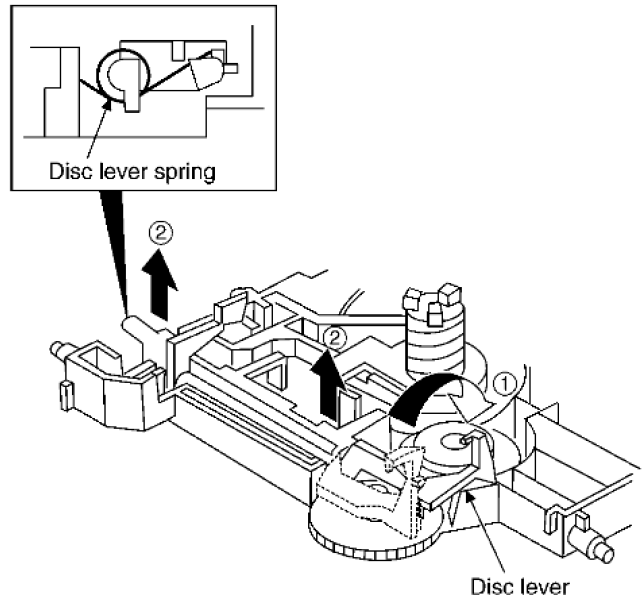


Step 2 Pushing the claw, slide the support plate in the direction of arrow, and then remove it.



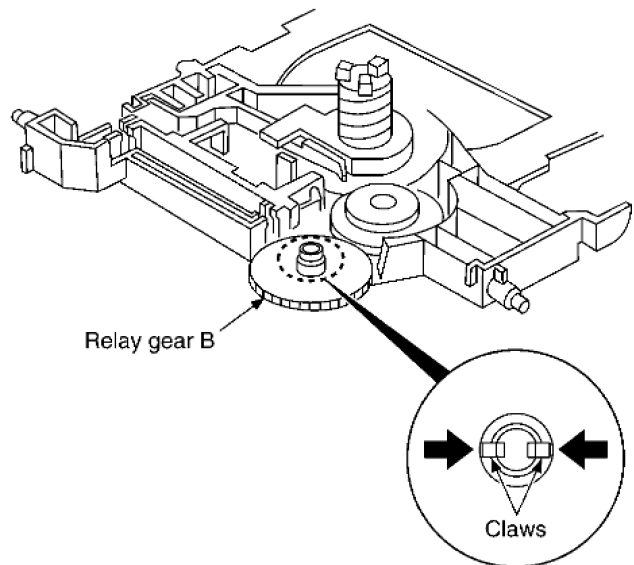
Step 3 Rotate the disc lever in the direction of arrow (1), draw the disc lever.

(Installation for disc lever spring)



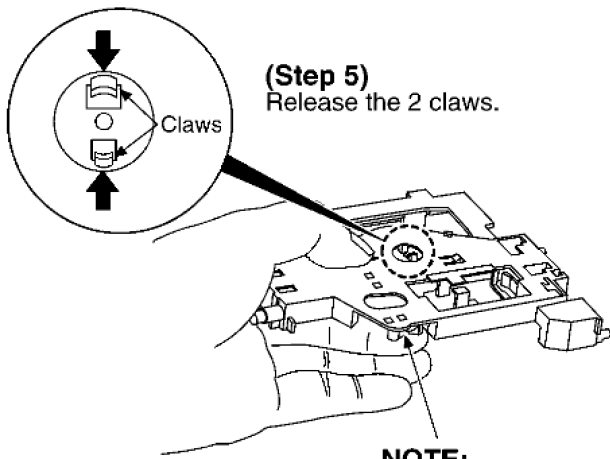
NOTE:

Take care not to lose the disc lever spring.



Step 4 Release the 2 claws, and then draw the relay gear B.

Step 5 Release the 2 claws as shown below.

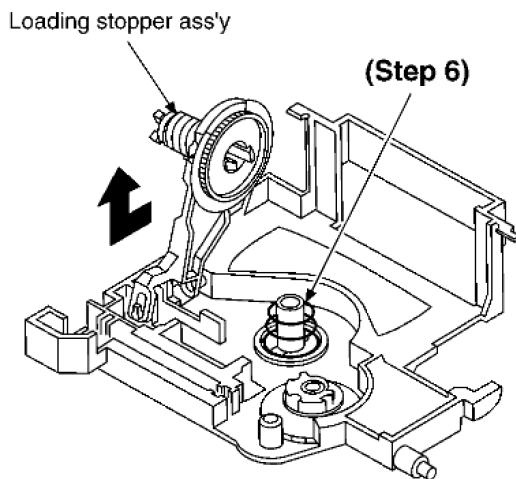


(Step 5)
Release the 2 claws.

NOTE:
Hold the loading stopper ass'y manually because it is flipped by spring.

NOTE:

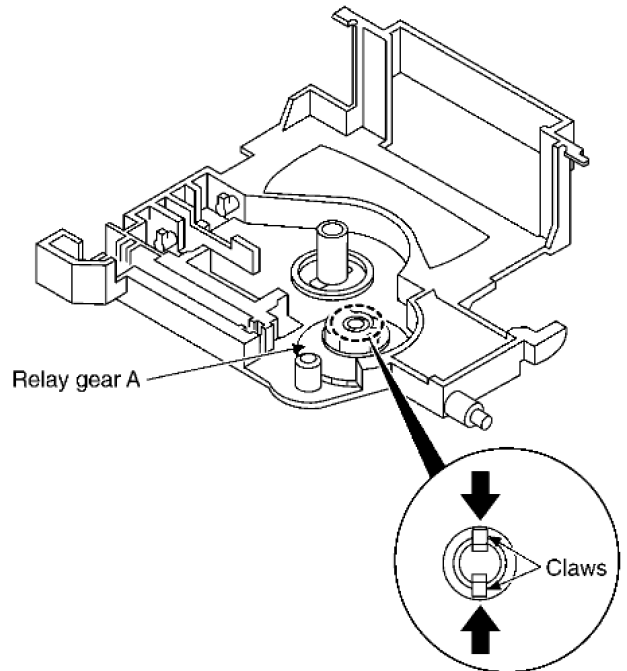
Hold the loading stopper ass'y manually because it is flipped by spring.



(Step 6)

Step 6 Remove the cushion spring.

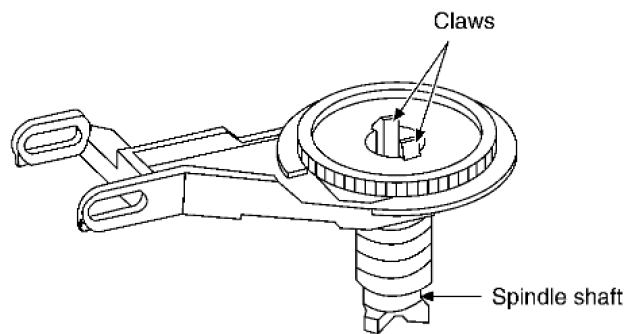
Step 7 Remove the loading stopper ass'y in the direction of arrow.



Relay gear A

Step 8 Release the 2 claws, and then remove the relay gear A.

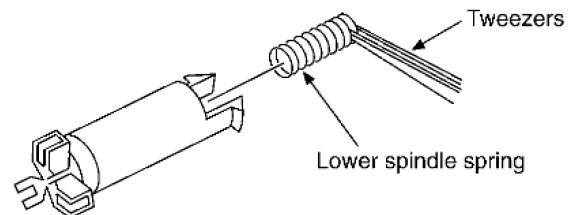
Step 9 Release the 2 claws, and then remove the spindle shaft.



Claws

Spindle shaft

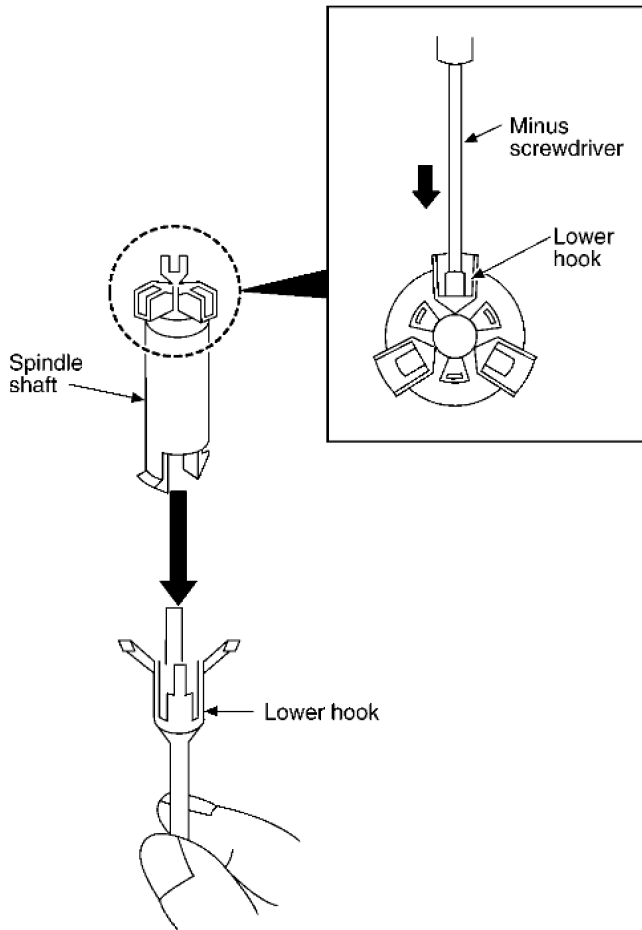
Step 10 Remove the lower spindle spring with tweezers.



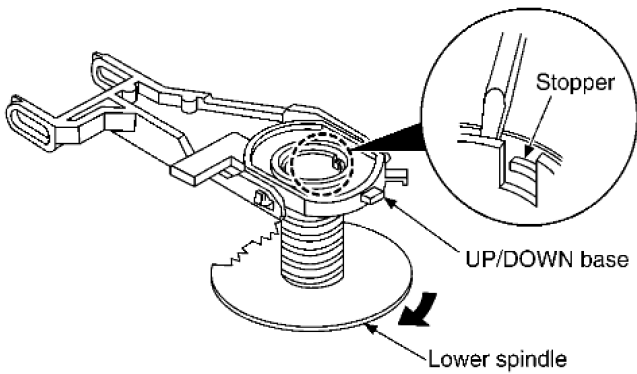
Tweezers

Lower spindle spring

Step 11 Force the lower hook with thin tip of minus screwdriver.

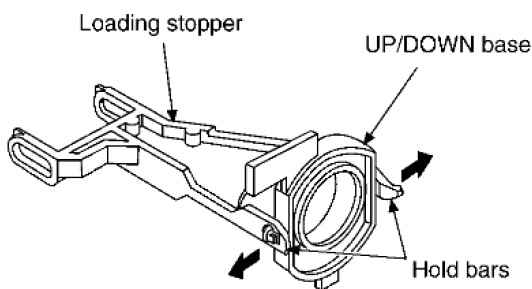


Step 12 Squeeze the shaft of lower hook, and then draw it.



Step 13 Rotate the lower spindle in the direction of arrow until the lower spindle interferes with stopper.

Step 14 Insert the thin tip of minus screwdriver between the lower spindle and UP/DOWN base, and then slacken the lower spindle to release the stopper. Then, rotate the lower spindle and remove it.

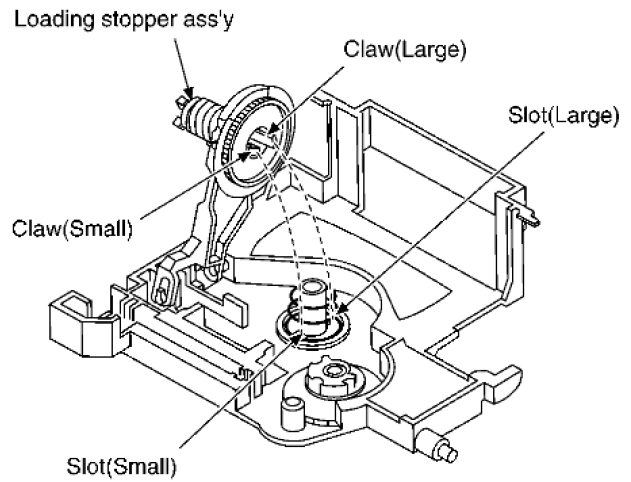


Step 15 Rotate the UP/DOWN base at a 90° angle. Then,

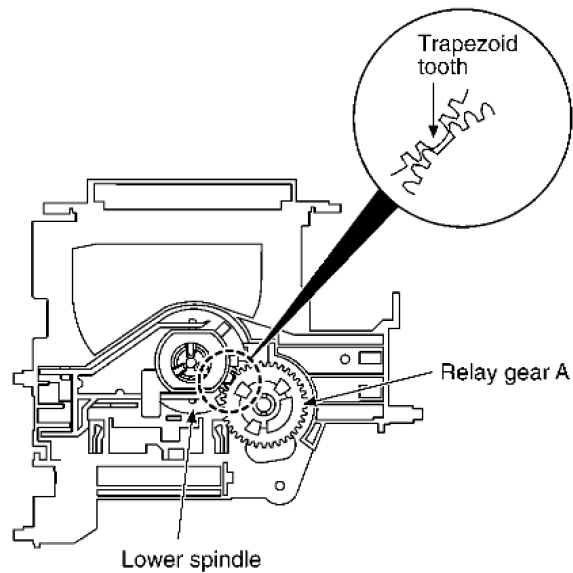
spread the hold bars of loading stopper and remove the UP/DOWN base.

[Installation for loading stopper ass'y]

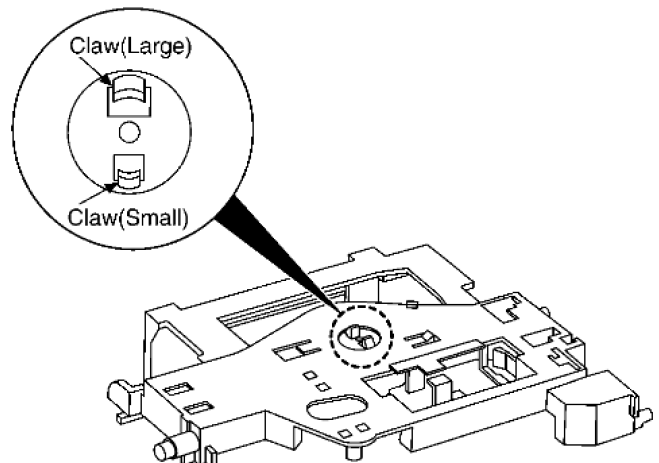
Step 1 Align the claw of loading stoppers ass'y with the slot of spindle base. (Caution should be exercised when alignment of claw due to the size of claws.)



Step 2 Lower the loading stopper ass'y, and then align the lower spindle with the trapezoid tooth of relay gear A.



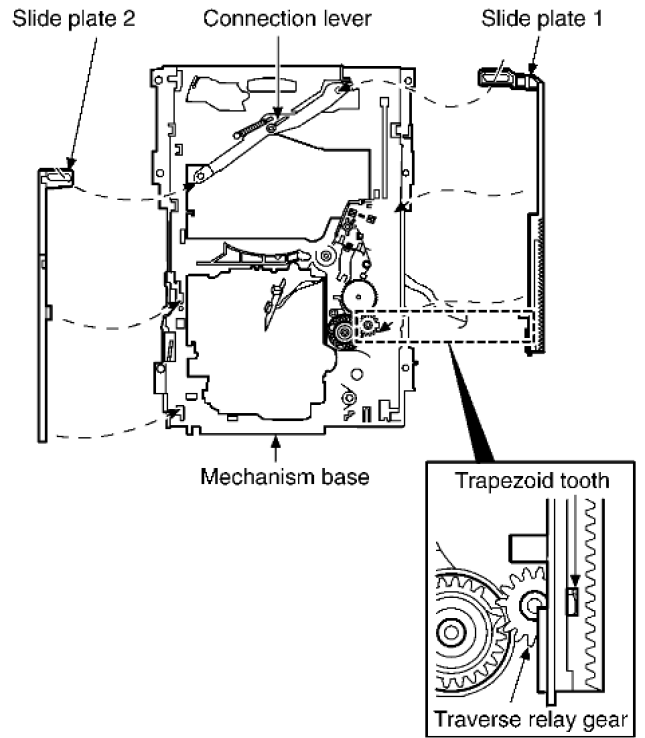
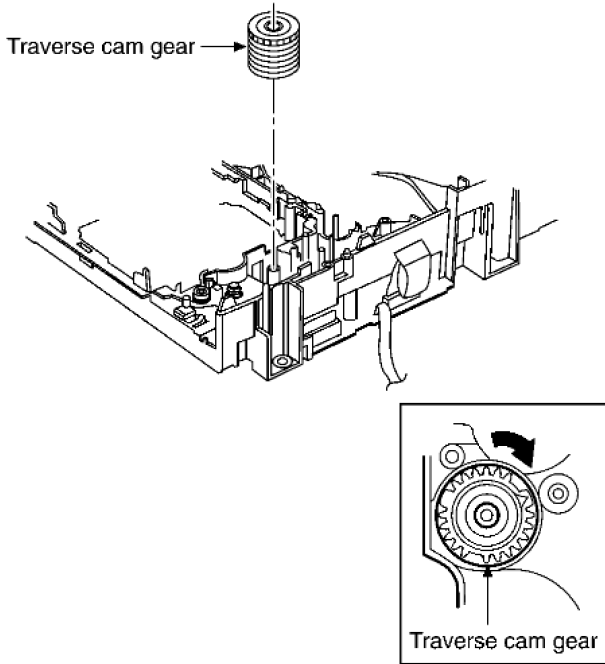
Step 3 Force the loading stopper ass'y, latch the claw firmly.



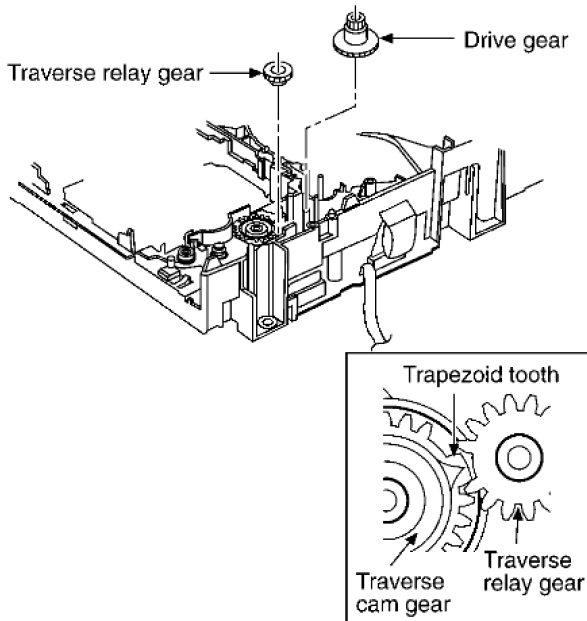
[Reassembly for mechanism base drive unit]

Step 1 Install the traverse cam gear.

Step 2 Rotate the traverse cam gear to the direction of arrow.

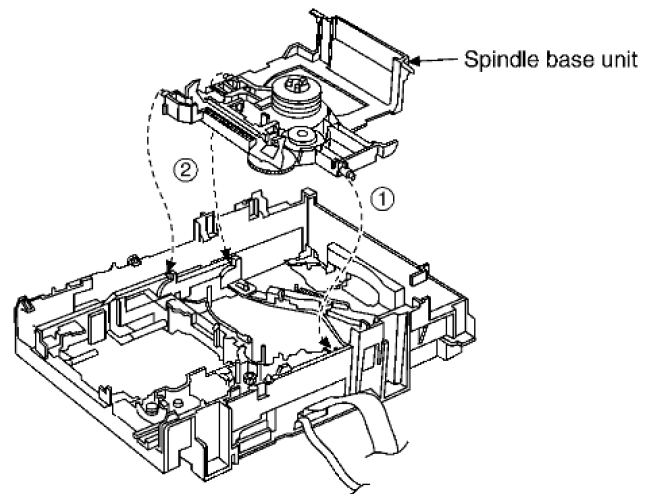


Step 3 Install the drive gear and traverse relay gear.



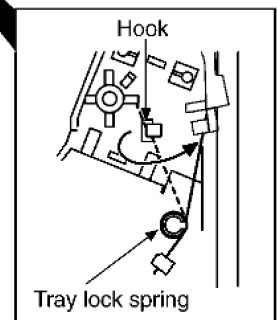
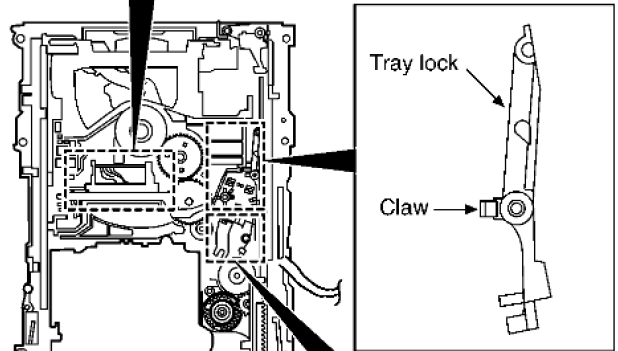
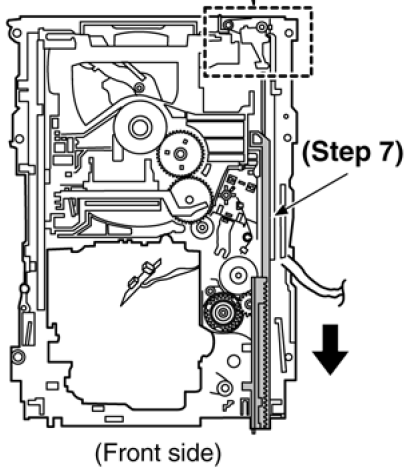
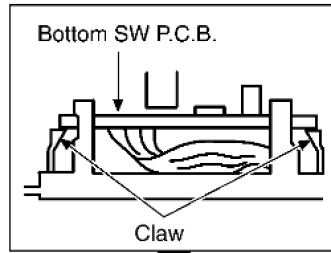
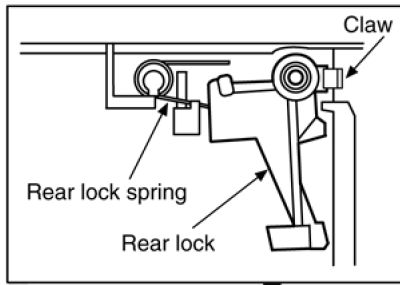
Step 4 Install the slide plate 2 to the mechanism base, and then match to the connection lever.

Step 5 Install the slide plate 1 to the mechanism base, and then match to the connection lever and align the trapezoid tooth of traverse relay gear with the slide plate 1.



*When installing the traverse relay gear, align the trapezoid tooth of gear with tooth of traverse cam gear.

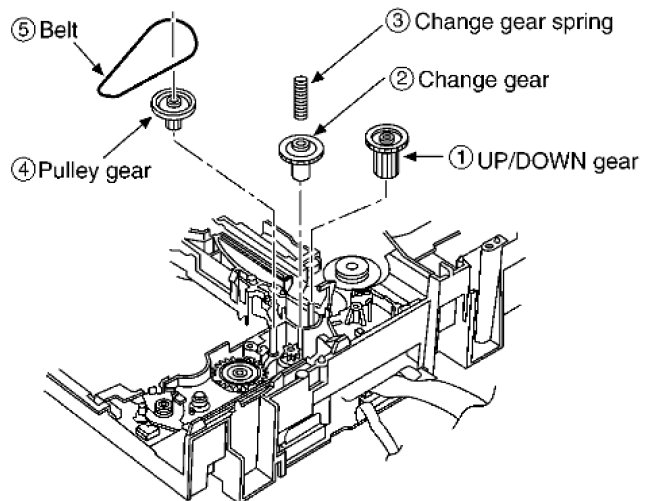
Step 6 Install the spindle base unit. (First, slide plate 1.)



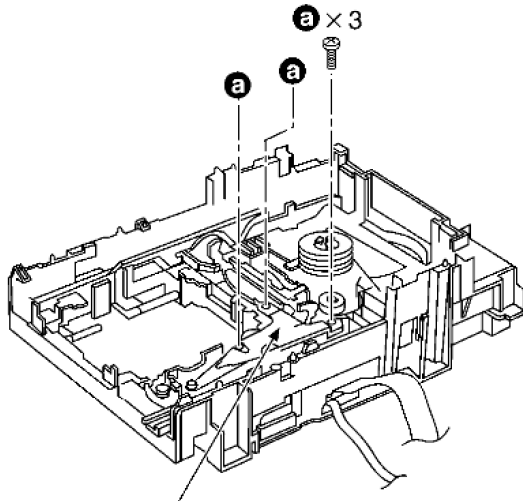
- Step 7** Move the slide plate 1 to forward fully.
- Step 8** Install the rear lock. (The claw should be latched.)
- Step 9** Install the bottom SW P.C.B.. (The claw should be latched.)
- Step 10** Install the tray lock. (The claw should be latched.)

Step 11 Remove the tray lock spring from hook, and then latch to the tray lock.

Step 12 Install the UP/DOWN gear, change gear, change gear spring, pulley gear and belt in the order of (1) - (5).



Step 13 Install the gear holder, and then tighten the screw (a).



Gear holder

Step 14 Install the tray base, traverse ass'y, mechanism cover and upper plate.

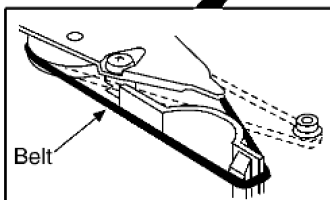
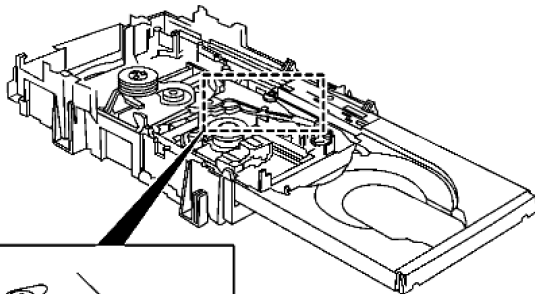
[Operation check after servicing]

Check the proper operation of following items with gear and hexagonal screwdriver.

1. Open/close of tray base.
2. Moving the tray base to the stock side.
3. UP/DOWN operation of spindle base unit.
4. UP/DOWN operation of traverse ass'y.

17.8.4. Replacement for the motor ass'y

- Follow the (Step 1) - (Step 7) of Item 17.8.2.



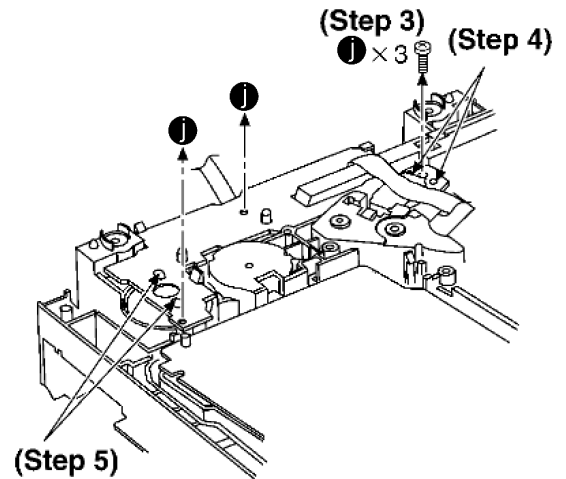
Step 1 Install the belt temporarily.

NOTE:

Take care not apply the grease to the belt.

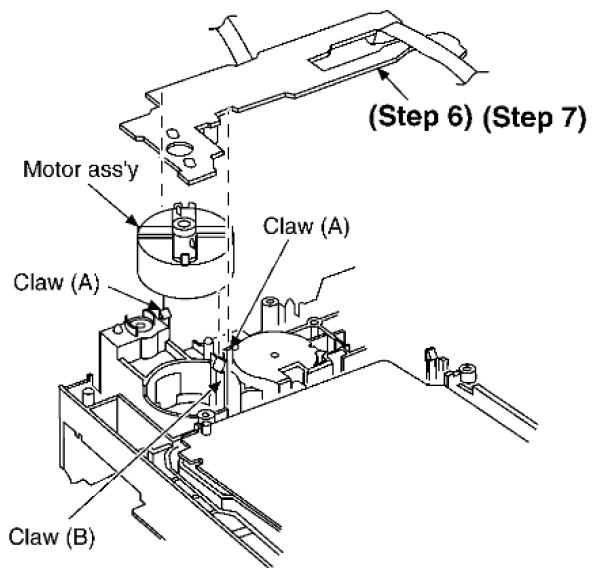
Step 2 Upset the CD loading unit.

Step 3 Remove 3 screws.



Step 4 Unsolder the plunger terminals (2 points).

Step 5 Unsolder the motor terminals (2 points).

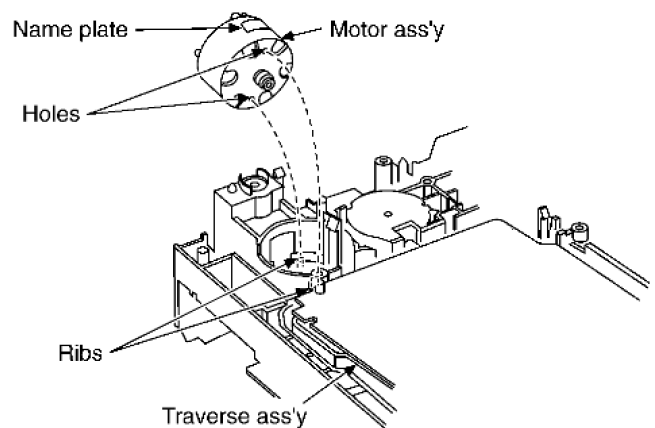


Step 6 Release the 2 claws (A), and then remove the Motor P.C.B.

Step 7 Release the claw (B), and then remove the motor ass'y.

[Notice for motor ass'y installation]

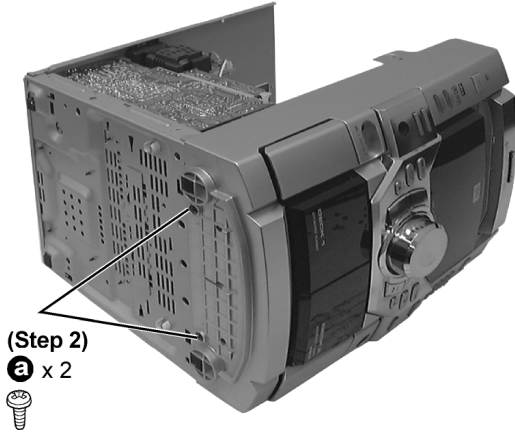
1. Locate the name plate of motor to the traverse ass'y.
2. Align the hole of motor with the ribs.



17.9. Disassembly of Deck Mechanism Unit

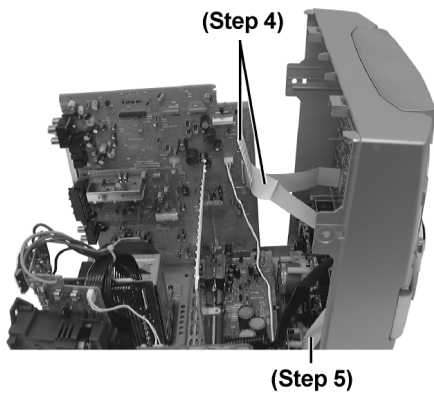
- Follow the (Step 1) - (Step 2) of Item 17.2.
- Follow the Disassembly for the Top Ornament Unit of Item 17.4.
- Follow the Disassembly for the DVD changer unit of Item 17.5.

Step 1 Lay the unit as shown.



Step 2 Remove 2 screws.

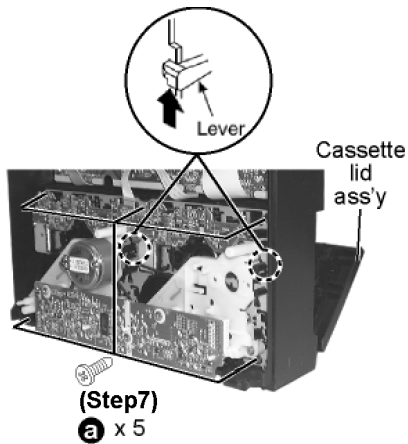
Step 3 Release the 2 claws, and then draw the front panel ass'y forward.



Step 4 Detach FFC Board (CN601 & CN602).

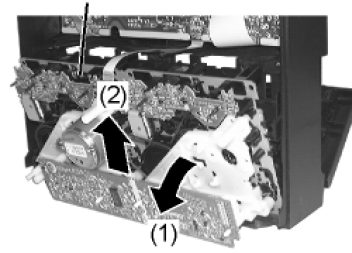
Step 5 Detach flat cable wire (CN1001).

Step 6 Push the lever upward, and then open the cassette lid ass'y (For DECK1 and DECK2).

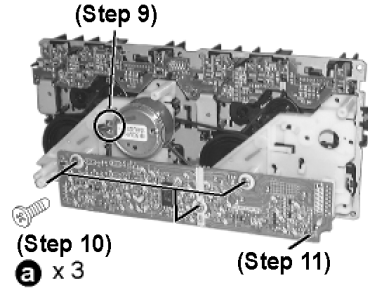


Step 7 Remove the 5 screw.

Cassette mechanism



Step 8 Tilt the cassette mechanism in the direction of arrow (1), and then remove it in the direction of arrow (2).



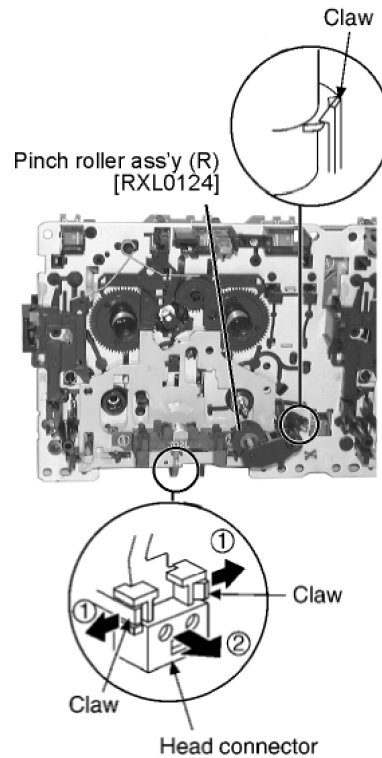
• Disassembly of Deck P.C.B.

Step 9 Unsolder the motor terminals.

Step 10 Remove 4 screws.

Step 11 Remove Deck P.C.B.

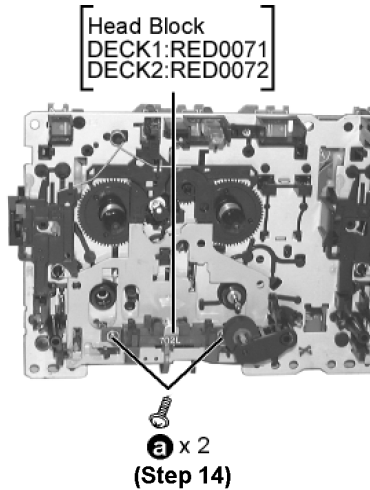
* The mechanism as shown below is for DECK1. For the one of DECK 2, perform the same procedures.



• Disassembly of pinch roller ass'y & head block

Step 12 Release the 2 claws, and then remove the pinch roller (R), (F).

Step 13 Release the 2 claws, and then remove the head connector.



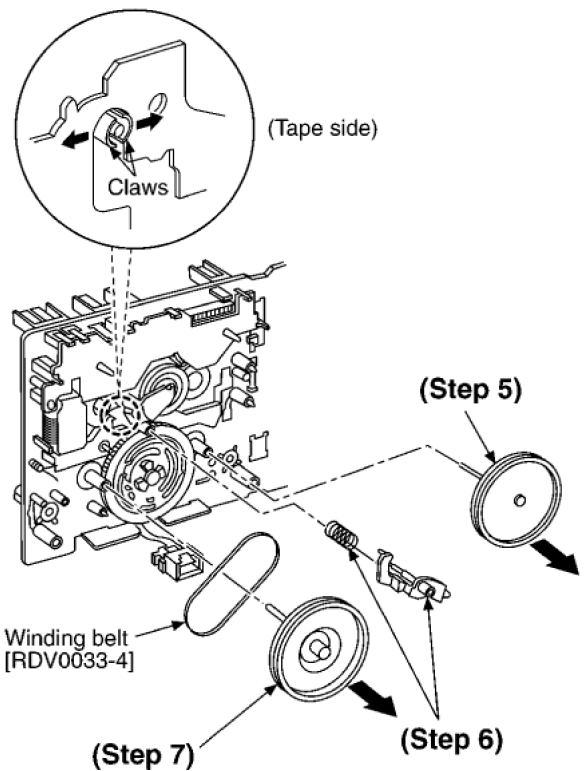
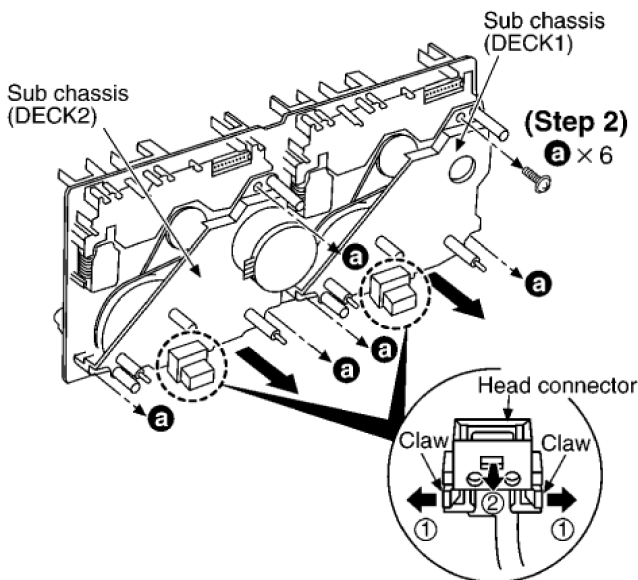
Step 14 Remove 2 screws.

17.9.1. Replacement for the CD motor ass'y, capstan belt A, capstan belt B and winding belt

Step 1 Release the 2 claws, and then remove the head connector.

Step 2 Remove 6 screws.

Step 3 Remove the sub chassis.



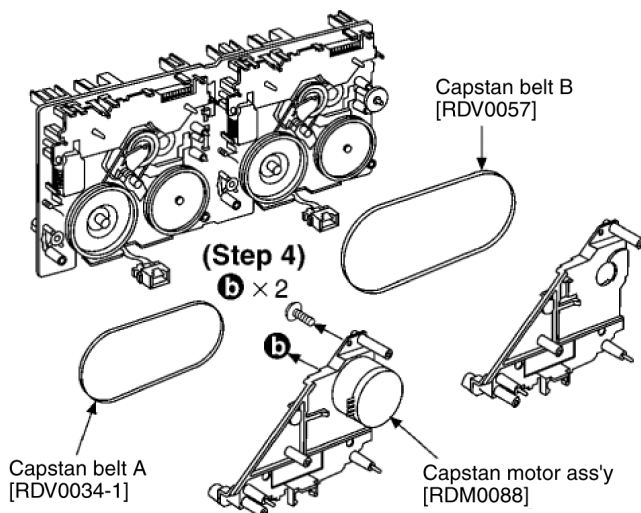
Step 5 Remove the flywheel R.

Step 6 Release the claw of tape side, and then remove the winding lever and spring.

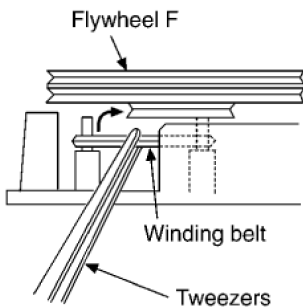
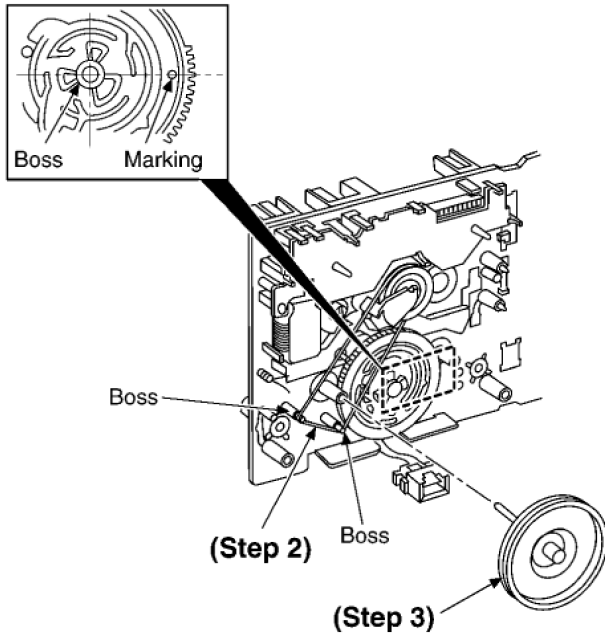
Step 7 Remove the flywheel F.

[Installation of the belt]

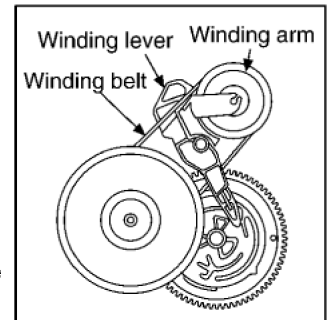
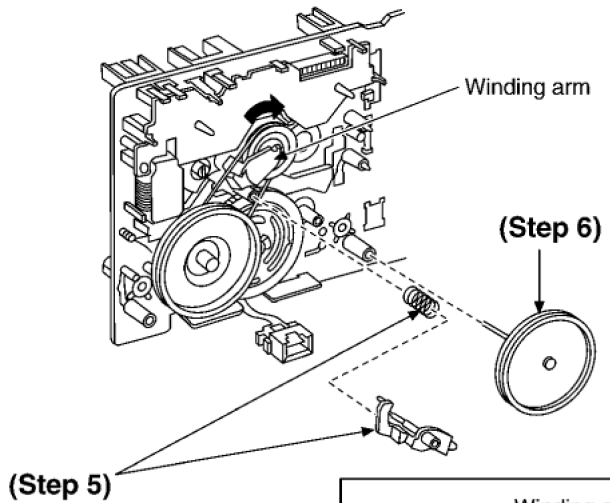
Step 1 The boss and marking should be positioned horizontally.



Step 4 Remove 2 screws.

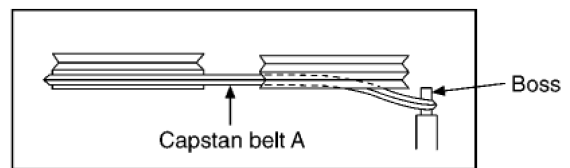
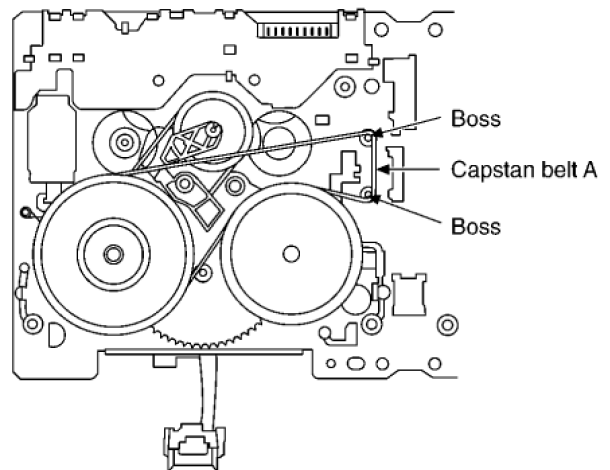


- Step 2** Put the winding belt on the pulley temporarily.
- Step 3** Install the flywheel F.
- Step 4** Put the winding belt on the flywheel F.
- Step 5** Install the winding lever and spring while pressing the winding arm in the direction of arrow.
- Step 6** Install the flywheel R.



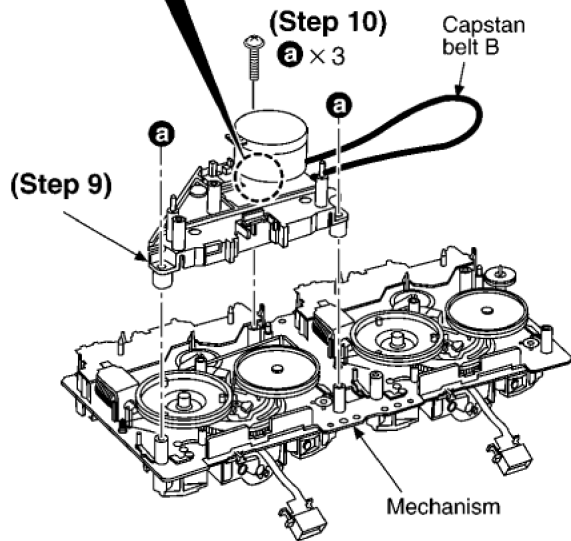
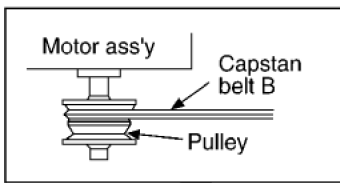
NOTE:
The winding lever should be positioned as shown below.

Step 7 Put the capstan belt A temporarily as shown below.



(Side view)

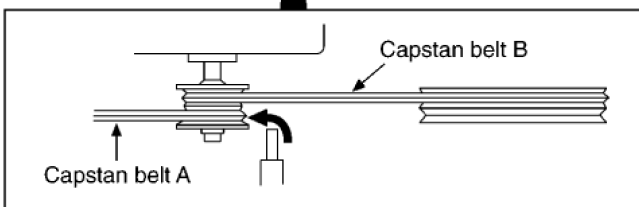
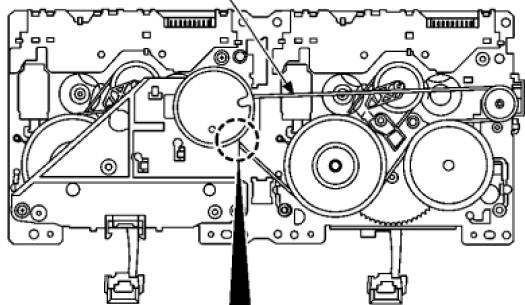
- Step 8** Put the capstan belt B on the motor ass'y pulley.
- Step 9** Install the sub chassis to the mechanism, and then tighten screws.



Step 10 Remove 3 screws.

Step 11 Put the capstan belt B as shown below.

(Step 11)

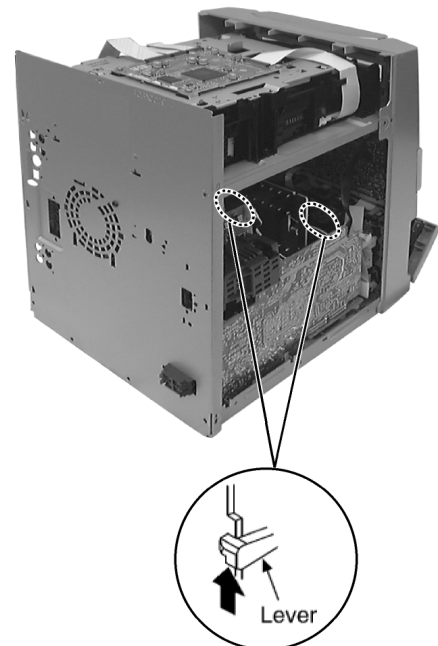


Step 12 Put the capstan belt A on the motor ass'y pulley.

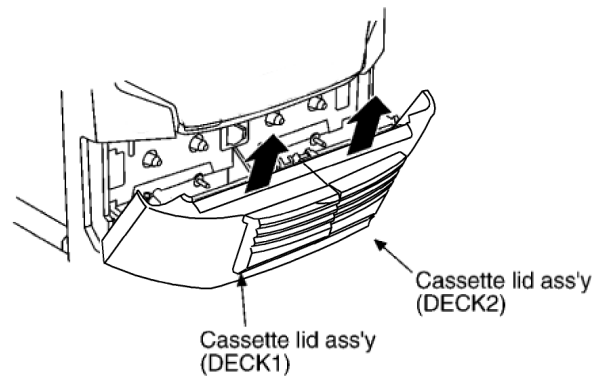
17.10. Replacement for the cassette lid ass'y

· Follow the (Step 1) - (Step 2) of Item 17.2.

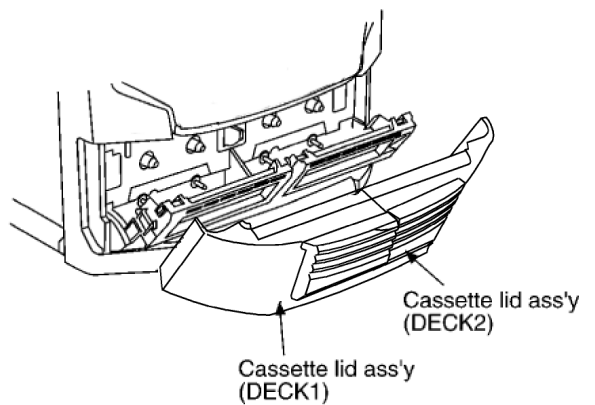
Step 1 Force the lever upward, open the cassette lid ass'y. (For DECK1 and DECK2)



Step 2 Lift up the cassette lid ass'y in the direction of arrow. (For DECK1 and DECK2).



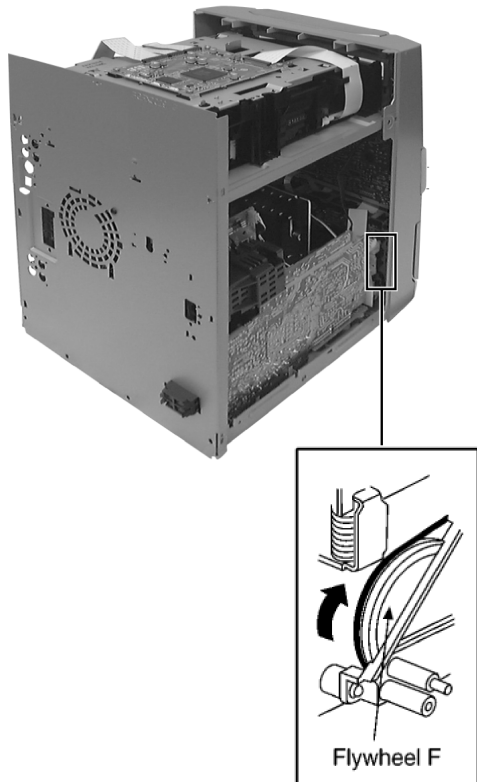
Step 3 Remove the cassette lid ass'y. (For DECK1 and DECK2).



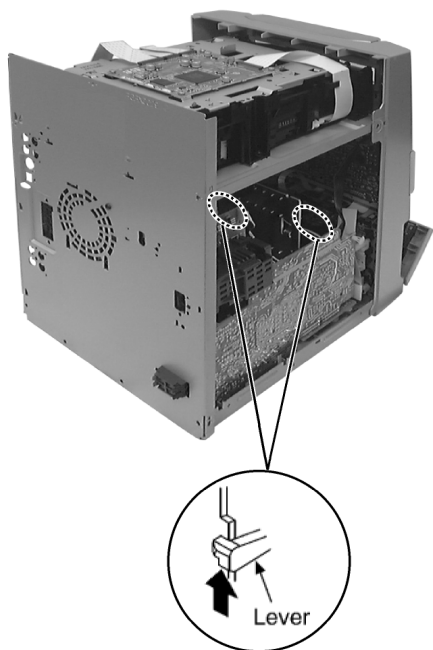
17.11. Counter-measure for tape trouble

· Follow the (Step 1) - (Step 2) of Item 17.2.

Step 1 If a cassette tape cannot be removed from the deck since the tape is caught by the capstan or pinch roller during playback or recording, rotate the flywheel F in the direction of the arrow to remove the tape.

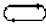


Step 2 Force the lever upward and open the cassette lid ass'y. Take the cassette tape off.



18 Measurements and Adjustments

18.1. Cassette Deck Section

- Measurement Condition
 - Reverse-mode selector switch: 
 - Tape edit: NORMAL
 - Make sure head, capstan and press roller are clean.
 - Judgeable room temperature $20 \pm 5 \text{ }^\circ\text{C}$ ($68 \pm 9^\circ\text{F}$)
- Measuring instrument
 - EVM (DC Electronic voltmeter)
 - Digital frequency counter
- Test Tape
 - Tape speed gain adjustment (3 kHz, -10 dB); QZZCWAT

18.1.1. Head Azimuth Adjustment (Deck 1/2)

Caution:

- Please replace both azimuth adjustment screw and springs simultaneously when readjusting the head azimuth. (shown in Fig. 2) Even if you wish to readjust the head azimuth without replacing the screws and springs, a fine adjustment to the azimuth screw and spring.
- Please remove the screw-locking bond left on the head base when replacing the azimuth screw.
- If you wish to readjust the head azimuth, be sure to adjust with adhering the cassette tape closely to the mechanism by pushing the center of cassette tape with your finger. (shown in Fig. 3)

1. Playback the azimuth adjustment portion (8 kHz, -20dB) of the test tape (QZZCFM) in the forward play mode. Vary the azimuth adjustment screw until the output of the R-CH (PB OUT-R) are maximized.
2. Perform the same adjustment in the reverse play mode.
3. After the adjustment, apply screwlock to the azimuth adjusting screw.

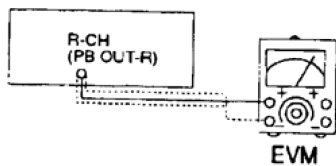


Fig. 1

-  Screw
-  Springs

Fig. 2

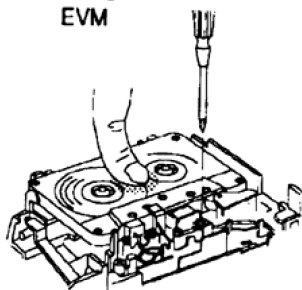


Fig. 3

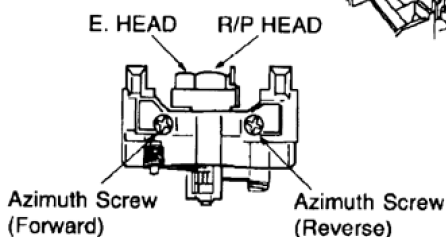


Fig. 4

18.1.2. Tape Speed Adjustment (Deck 1/2)

1. Set the tape edit button to "NORMAL" position.
2. Insert the test tape (QZZCWAT) to DECK 2 and playback (FWD side) the middle portion of it.
3. Adjust Motor VR (DECK 2) for the output value shown below.

Adjustment target: 2940 ~ 3060 Hz (NORMAL speed)

4. After alignment, assure that the output frequency of the DECK 1 FWD are within ± 60 Hz of the value of the output frequency of DECK 2 FWD.

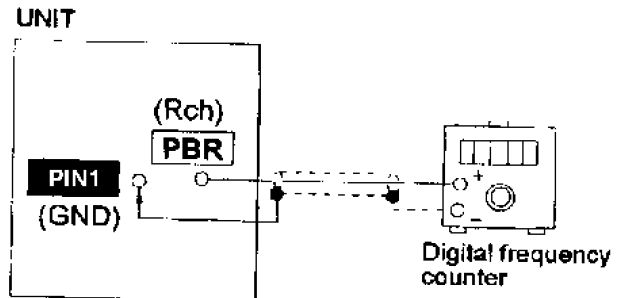


Fig. 1

18.1.3. Bias and Erase Voltage Check

1. Set the unit "AUX" position.
2. Insert the Normal blank tape (QZZCRA) into DECK 2 and the unit to "REC" mode (use "1 REC/STOP" key).
3. Measure and make sure that the output is within the standard value.

Bias voltage for Deck 2	14 \pm 4mV (Normal)
Erase voltage for Deck 2	80mV (Normal)

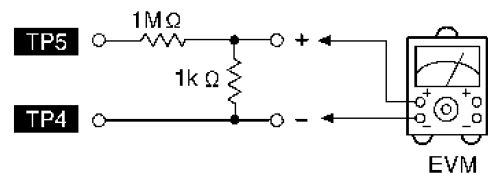


Fig. 2

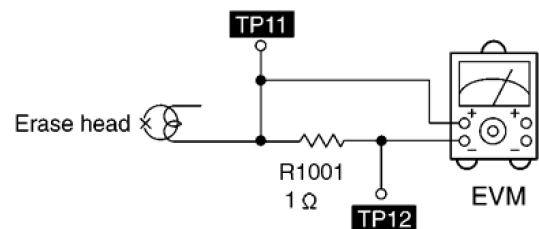


Fig. 3

18.1.4. Bias Frequency Adjustment (Deck 1/2)

1. Set the unit to "AUX" position.
2. Insert the Normal blank tape (QZZCRA) into DECK 2 and set the unit to "REC" mode (I use "REC/STOP" key).
3. Adjust L1002 so that the output frequency is within the standard value.

Standard Value: 97 ± 8 kHz

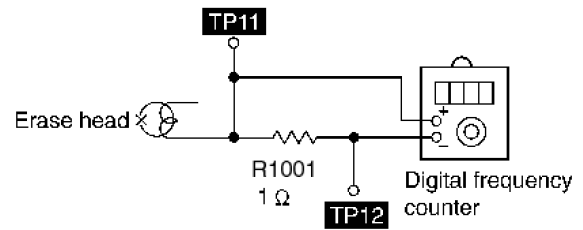


Fig. 4

18.2. Tuner Section

18.2.1. AM-IF Alignment

1. Connect the instrument as shown in Fig. 5.
2. Set the unit to AM mode.
3. Apply signal as shown in Fig. 5 from AM-SG.
4. Adjust Z102 so that the output frequency is maximized in Fig. 6.

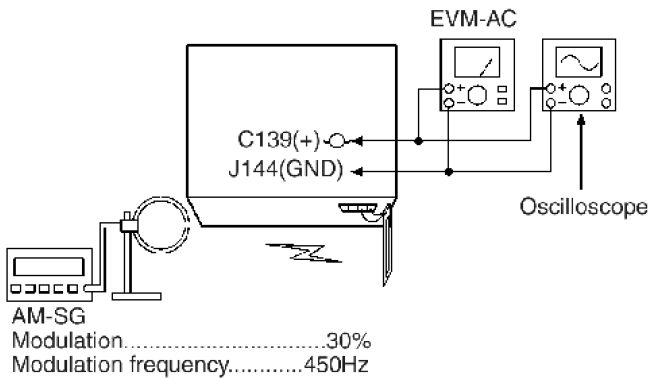


Fig. 5

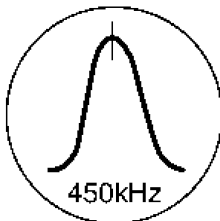


Fig. 6

18.2.2. AM RF Adjustment

1. Connect the instrument as shown in Fig. 7.
2. Set the unit to AM mode.
3. Set AM-SG to 520kHz.
4. Receive 520kHz in the unit.
5. Adjust Z101 (OSC) so that the EVM-AC is maximized.
6. Set AM-SG to 600Hz.
7. Receive 600Hz in the unit.
8. Adjust Z101 (ANT) so that the EVM-SG is maximized.
9. Set AM-SG to 520kHz.
10. Receive 520kHz in the unit.
11. Adjust Z101 (OSC) so that the EVM-DC value is with 1.1 ± 0.5 V.

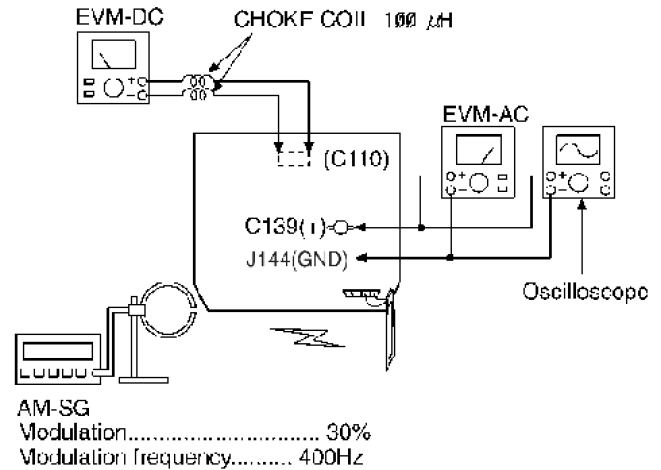
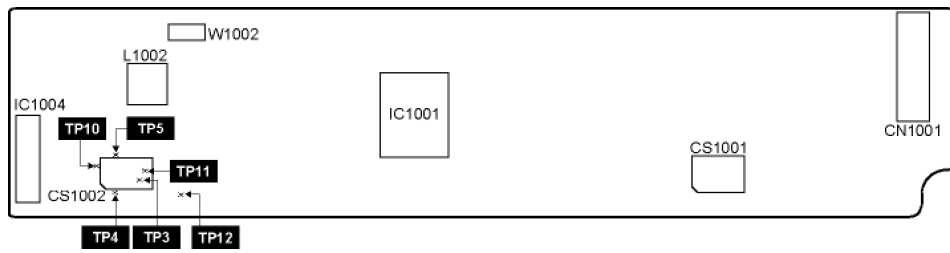


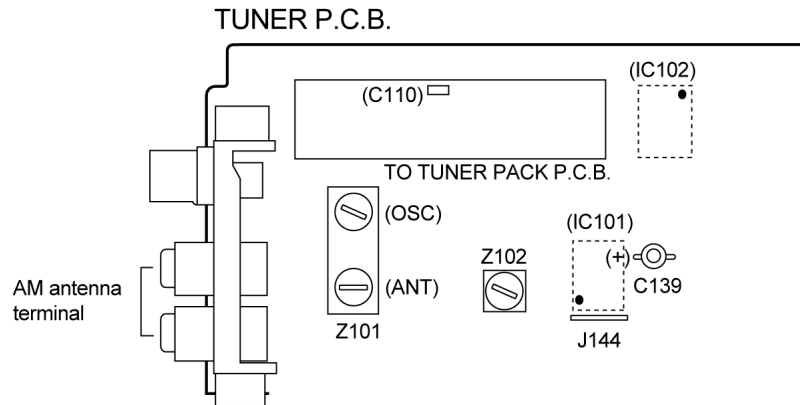
Fig. 7

18.3. Alignment Points

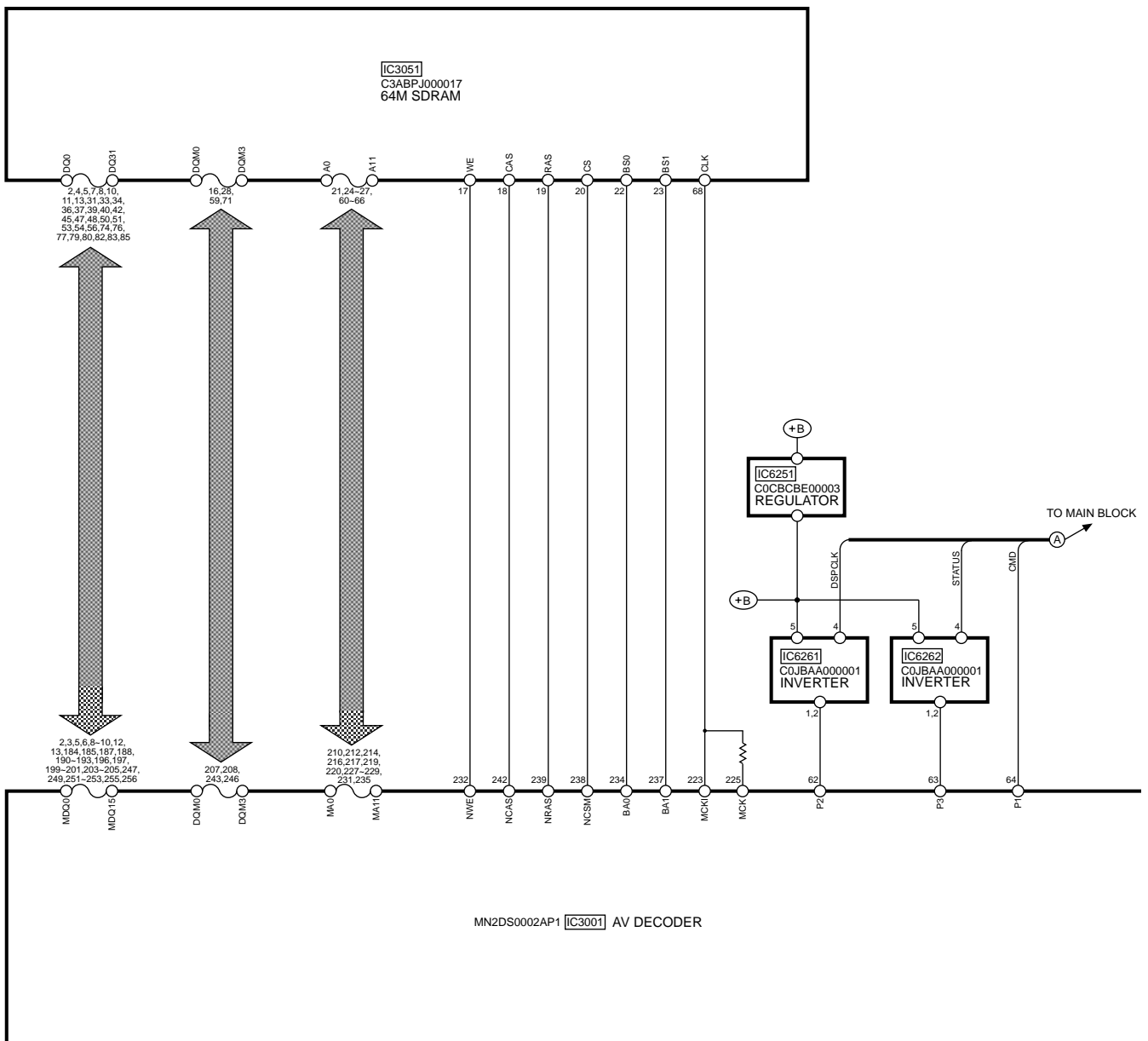
18.3.1. Cassette Deck Section

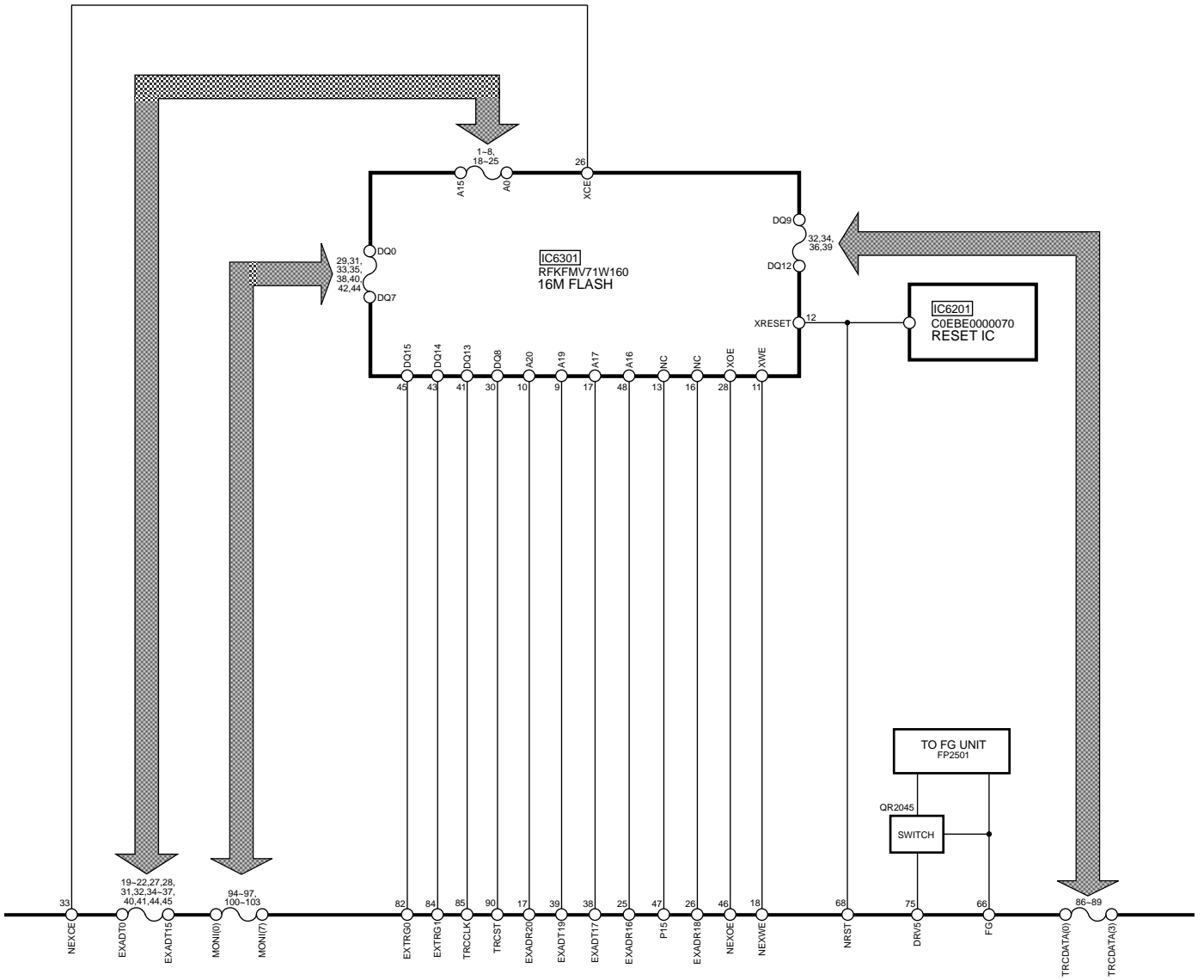


18.3.2. Adjustment Point

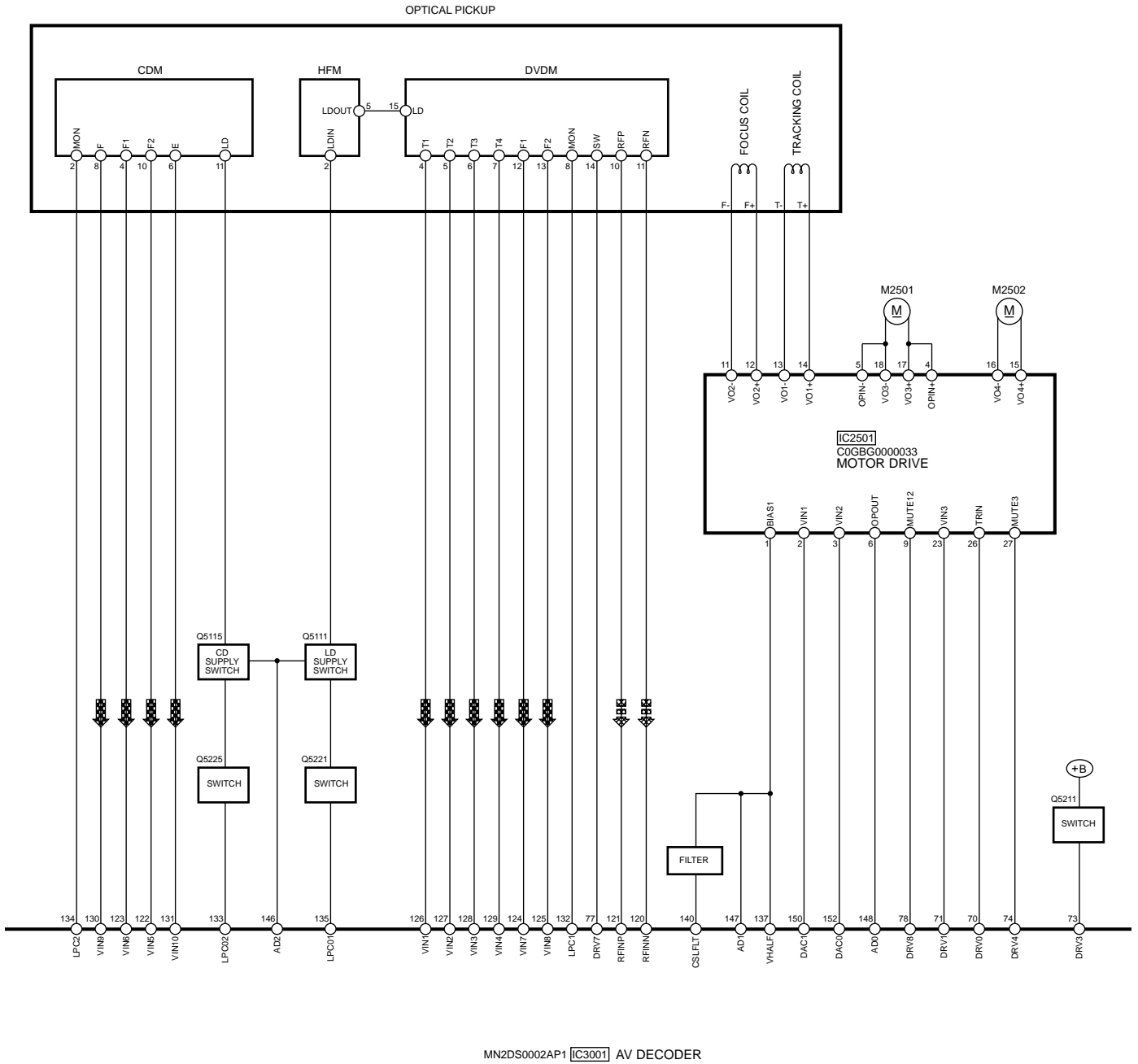


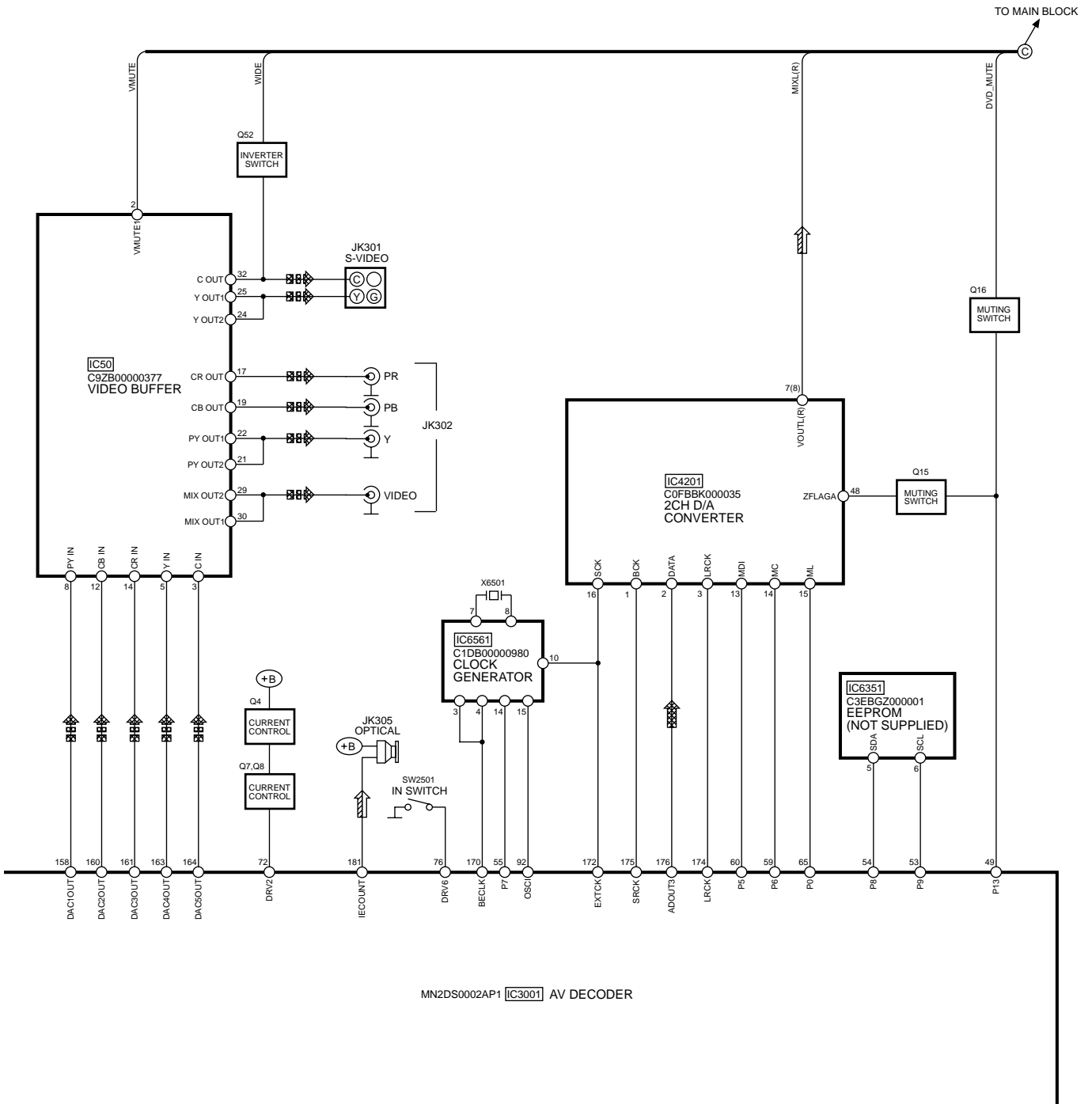
19 Block Diagram

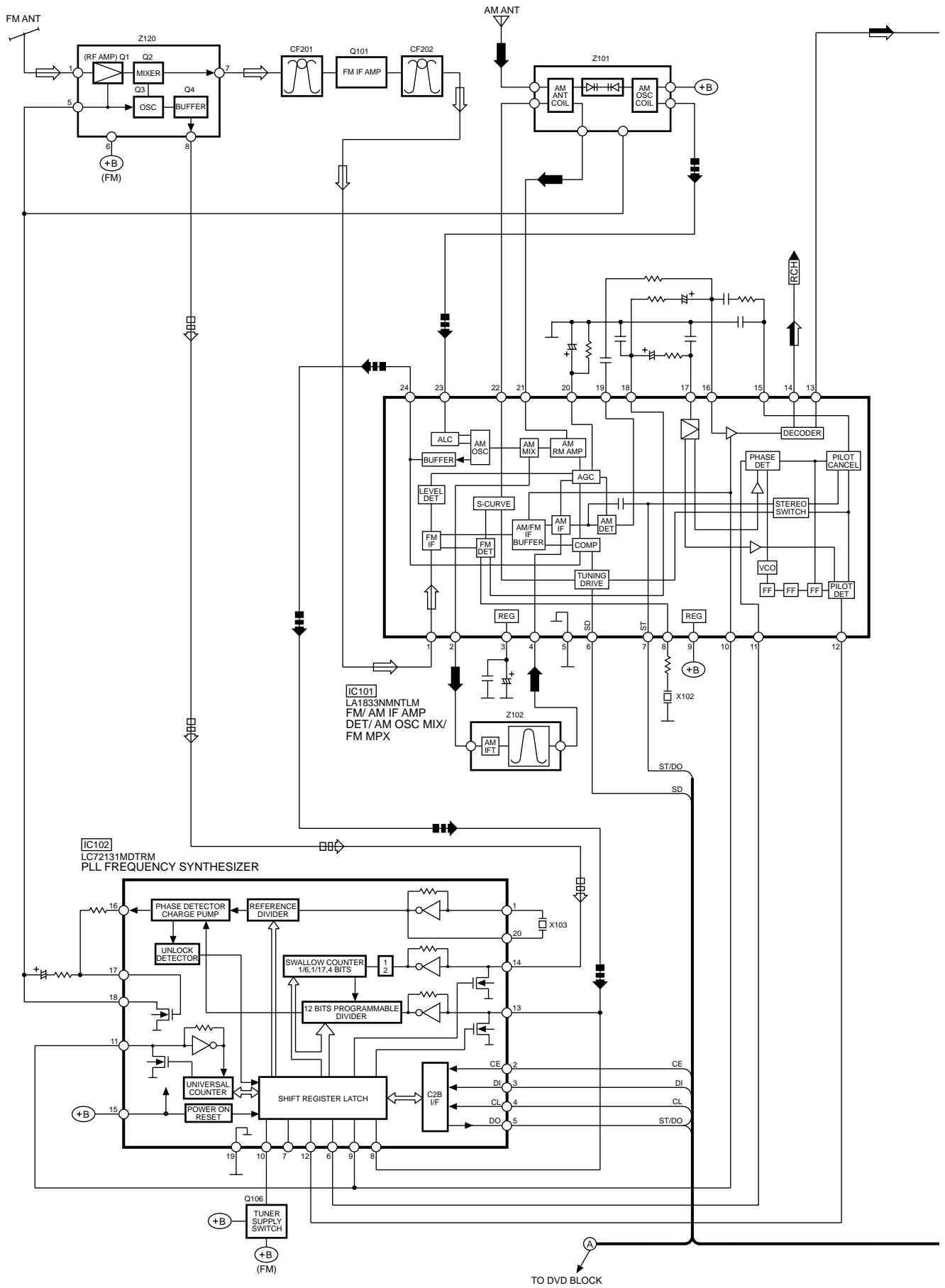


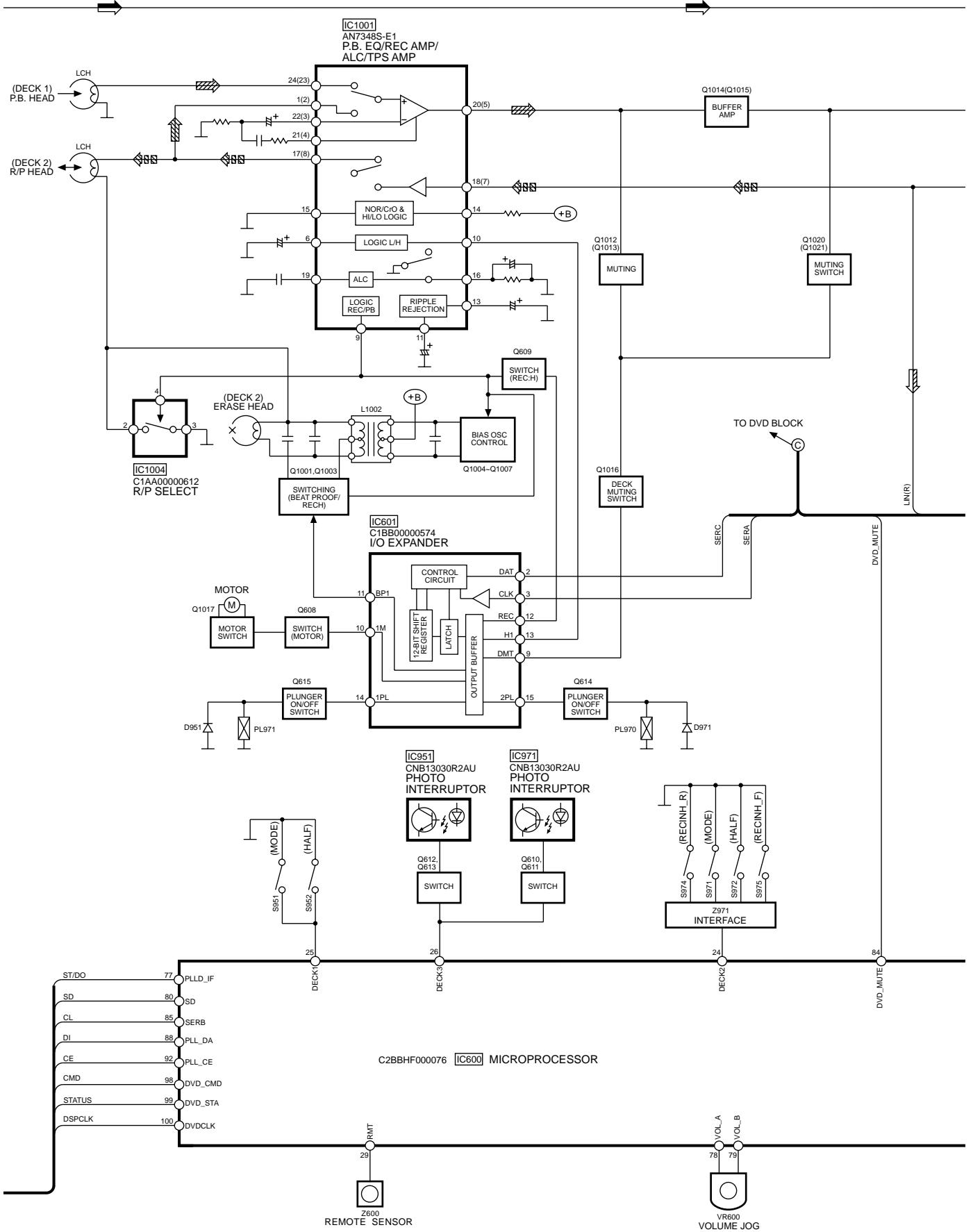


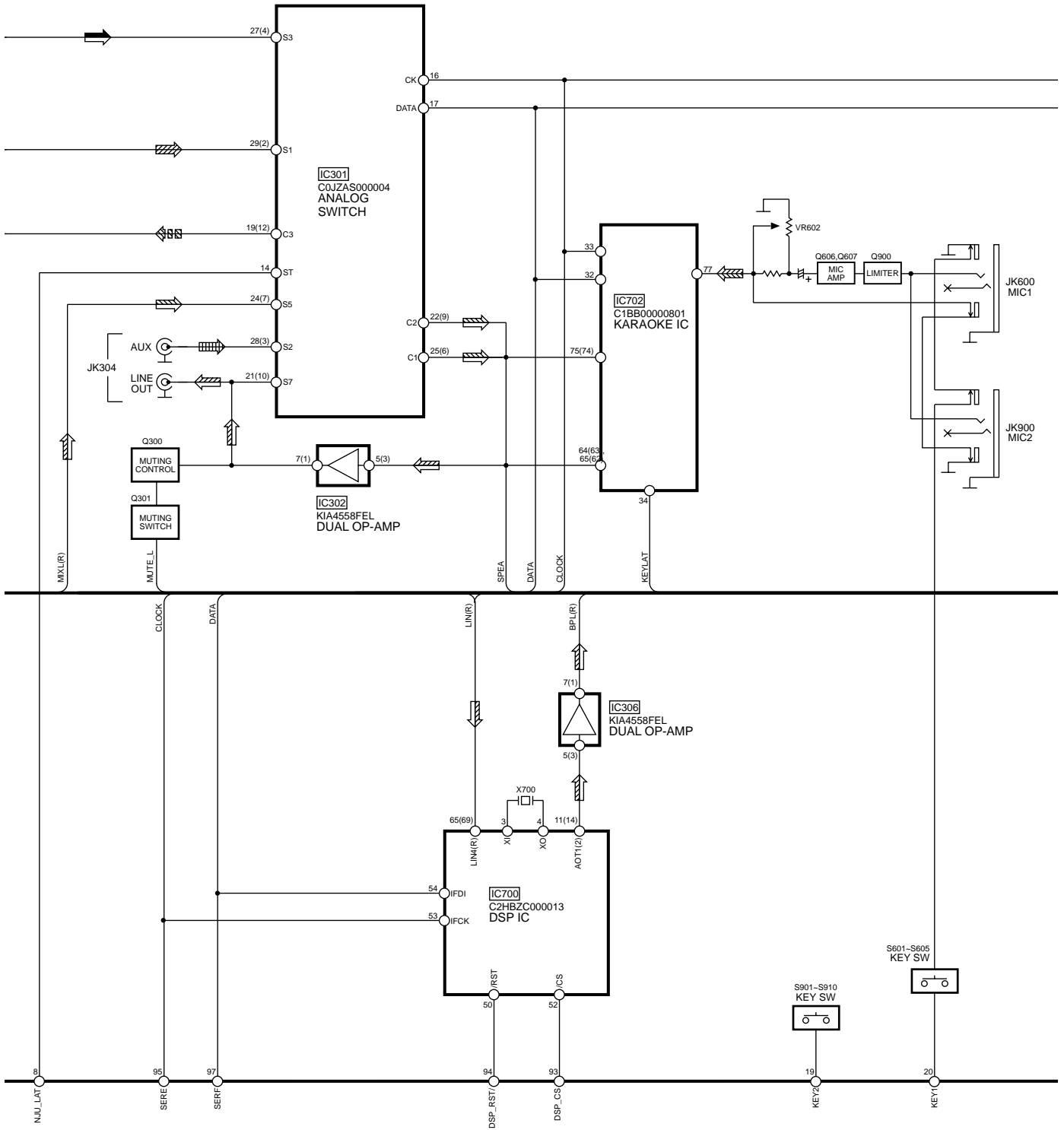
MN2DS0002AP1 IC3001 AV DECODER



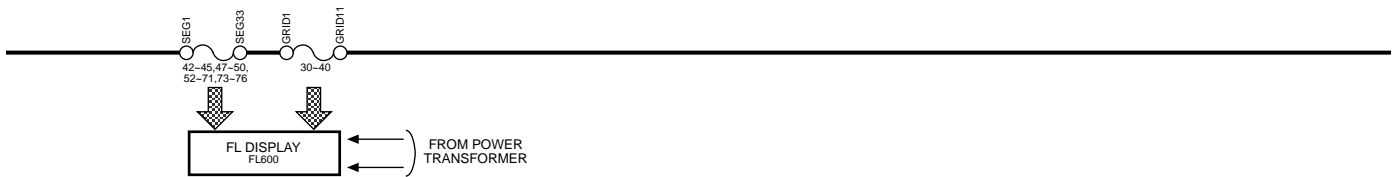


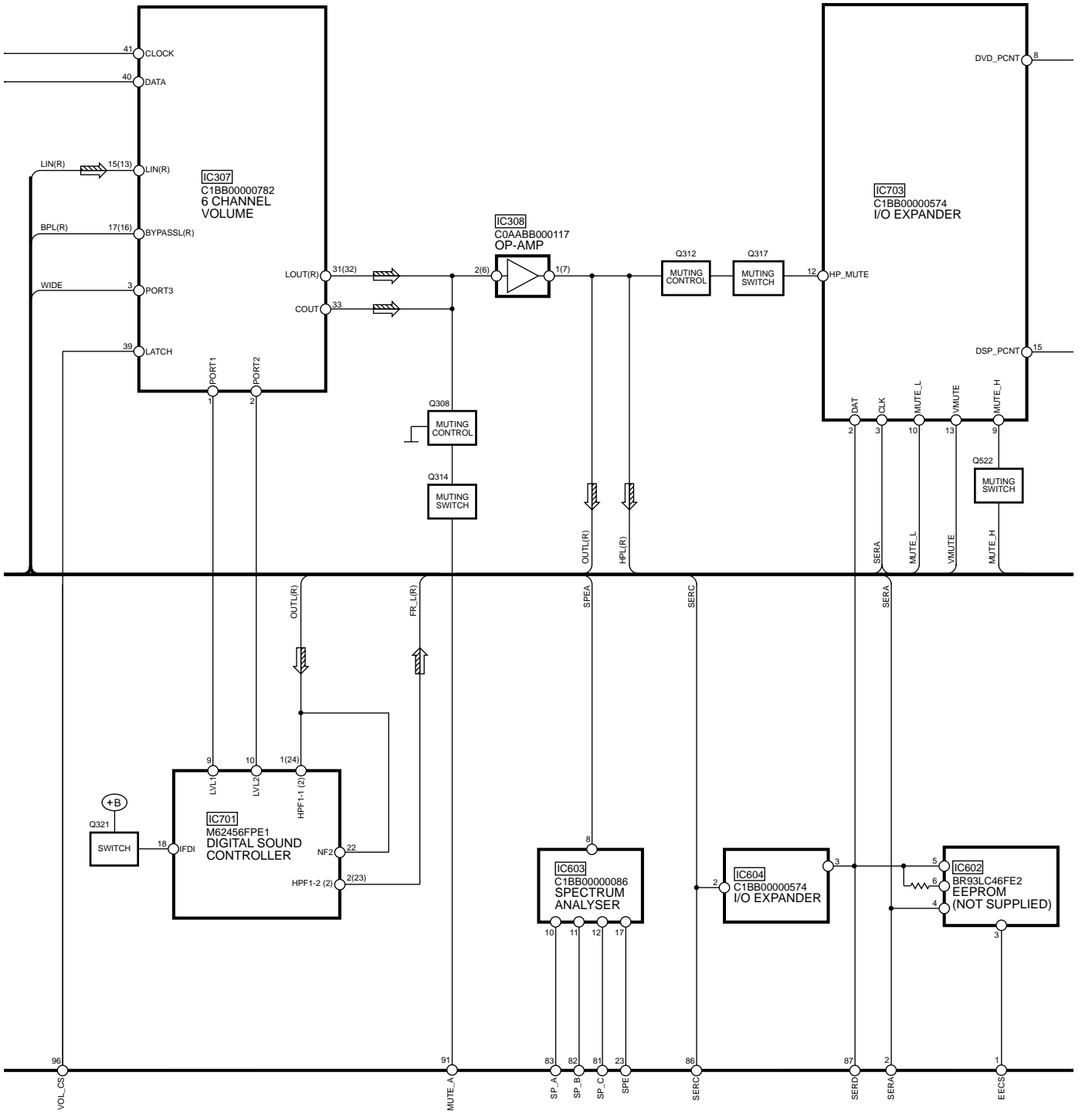




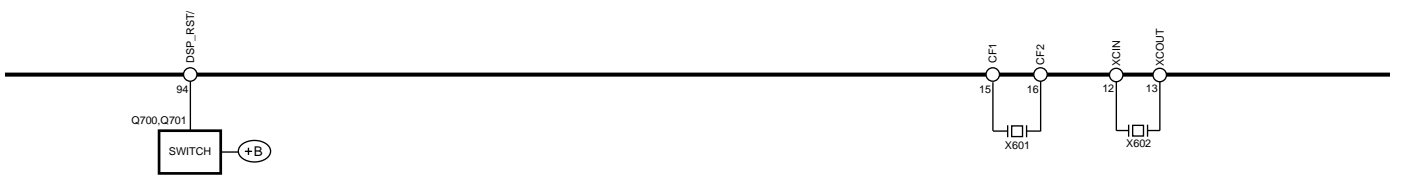


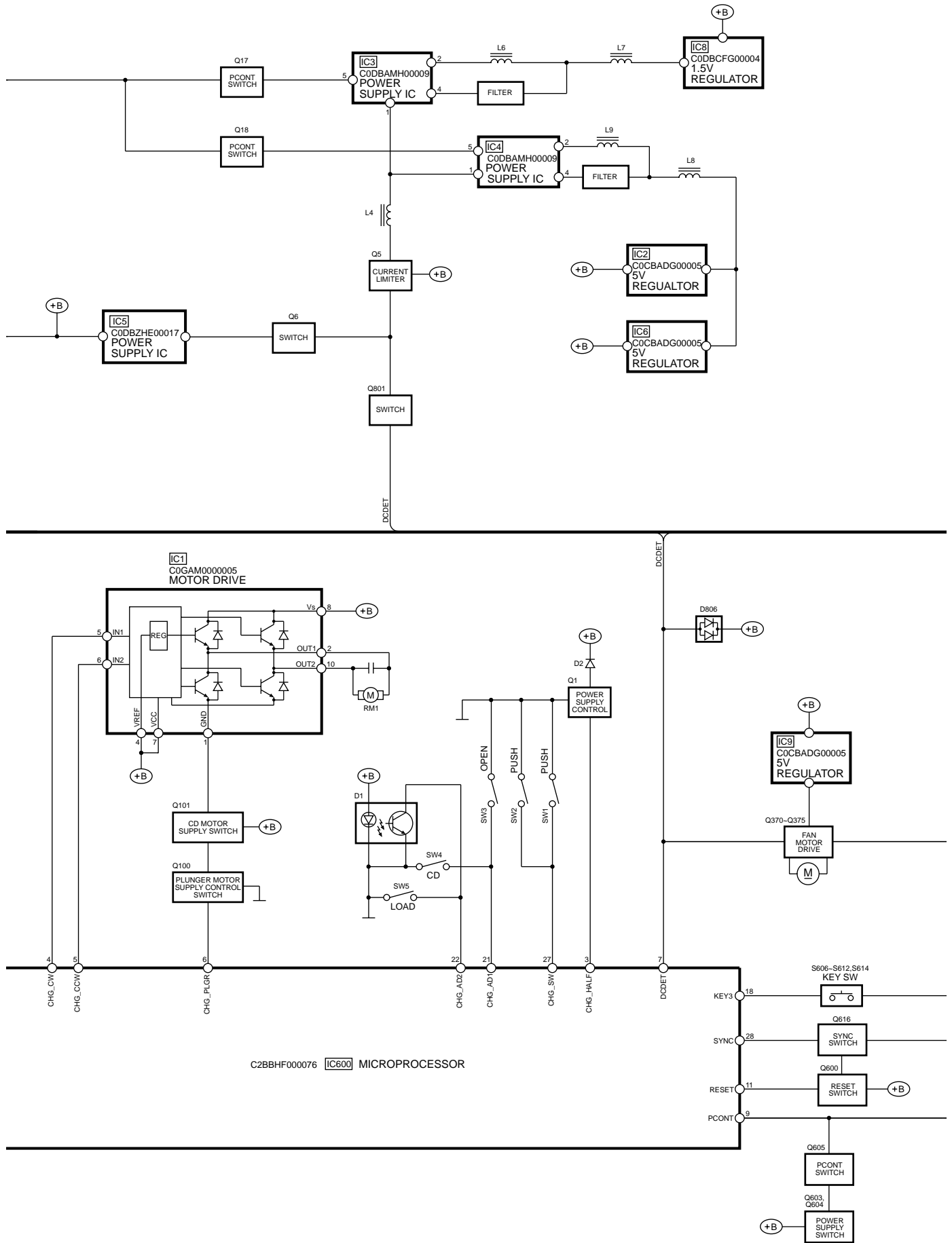
C2BBHF000076 IC600 MICROPROCESSOR

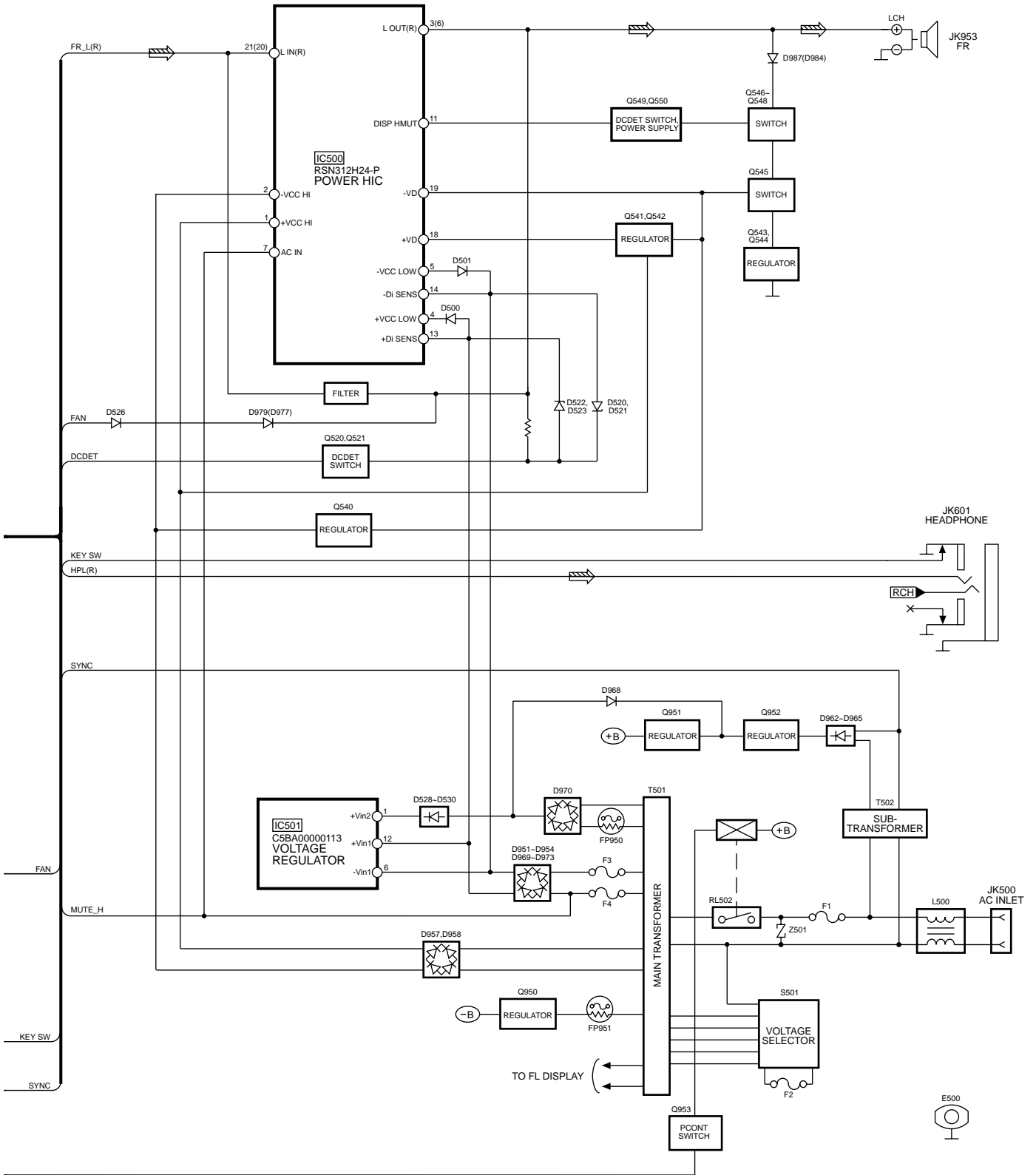




C2BBHF000076 [IC600] MICROPROCESSOR







SIGNAL LINES

	: MAIN SIGNAL LINE		: AM SIGNAL LINE		: CD-DA (AUDIO /VIDEO) SIGNAL LINE		: PLAYBACK SIGNAL LINE
	: FM SIGNAL LINE		: AM OSC SIGNAL LINE		: DVD AUDIO SIGNAL LINE		: RECORD SIGNAL LINE
	: FM OSC SIGNAL LINE		: AUX SIGNAL LINE		: DVD VIDEO SIGNAL LINE		
	: FM /AM SIGNAL LINE		: CD SIGNAL LINE				

() Indicates the Pin No. of Right Channel. NOTE : Signal Lines are applicable to the Left Channel only.

20 Schematic Diagram

(All schematic diagrams may be modified at any time with the development of the new technology)

Note:

S501	: Voltage Selector Switch
S601	: Power Switch
S602	: Dolby Pro Logic Switch
S603	: Super Surround Switch
S604	: Deck 1/2 Switch
S605	: Rec Switch
S606	: CD Open/Close Switch
S607	: Disc 1 Switch
S608	: Disc 2 Switch
S609	: Disc 3 Switch
S610	: Disc 4 Switch
S611	: Disc 5 Switch
S612	: SSEQ Switch
S614	: Super EQ Switch
S901	: Rew Switch
S902	: CD Play Switch
S903	: Tuner/Band Switch
S904	: FF Switch
S905	: Stop Switch
S906	: Deck 2 Open Switch
S907	: Tape Switch
S908	: AUX Switch
S909	: Deck 1 Open Switch
S910	: Display Switch
S951	: Mode Switch
S952	: Half Switch
S971	: Mode Switch
S972	: Half Switch
S974	: Recinh_r Switch
S975	: Recinh_f Switch
SW1	: Push Switch
SW2	: Push Switch
SW3	: Open Switch
SW4	: CD Switch
SW5	: Load Switch
SW2501	: In Switch
VR600	: VR Volume Jog
VR602	: Mic Volume

- The voltage value and waveforms are the reference voltage of this unit measured by DC electronic voltmeter (high impedance) and oscilloscope on the basis of chassis. Accordingly, there may arise some error in voltage values and waveforms depending upon the internal impedance of the tester or the measuring unit.

(()) : CD < > : FM

• Importance safety notice :

Components identified by \triangle mark have special characteristics important for safety. Furthermore, special parts which have purposes of fire-retardant (resistors), high-quality sound (capacitors), low-noise (resistors), etc. are used. When replacing any of components, be sure to use only manufacturer's specified parts shown in the parts list.

Caution !

IC, LSI and VLSI are sensitive to static electricity.

Secondary trouble can be prevented by taking care during

repair.

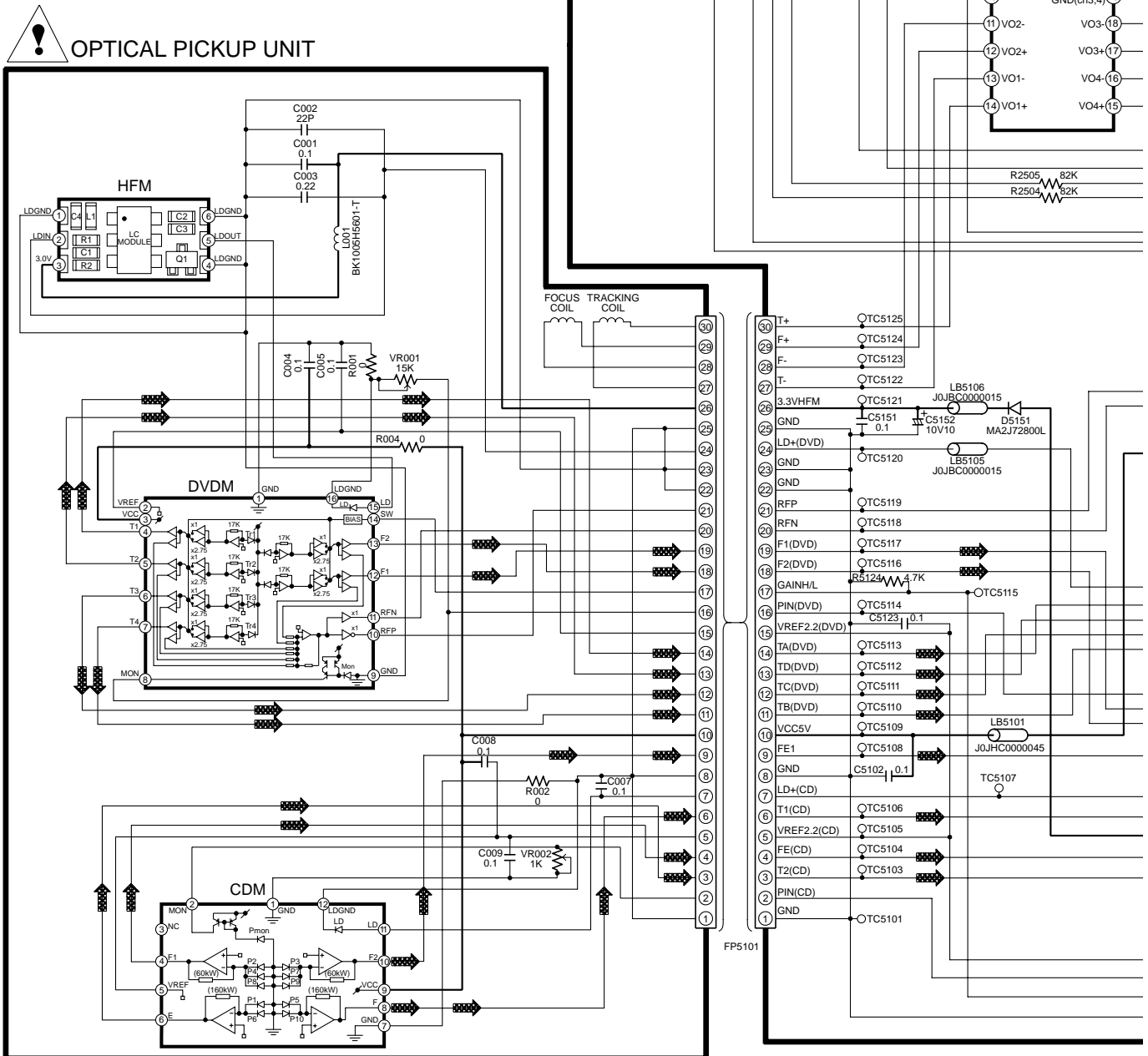
- Cover the parts boxes made of plastics with aluminium foil.
- Put a conductive mat on the work table.
- Ground the soldering iron.
- Do not touch the pins of IC, LSI or VLSI with fingers directly.

20.1. (A) DVD Module (1) Circuit

SCHMATIC DIAGRAM-1

A DVD MODULE (1) CIRCUIT

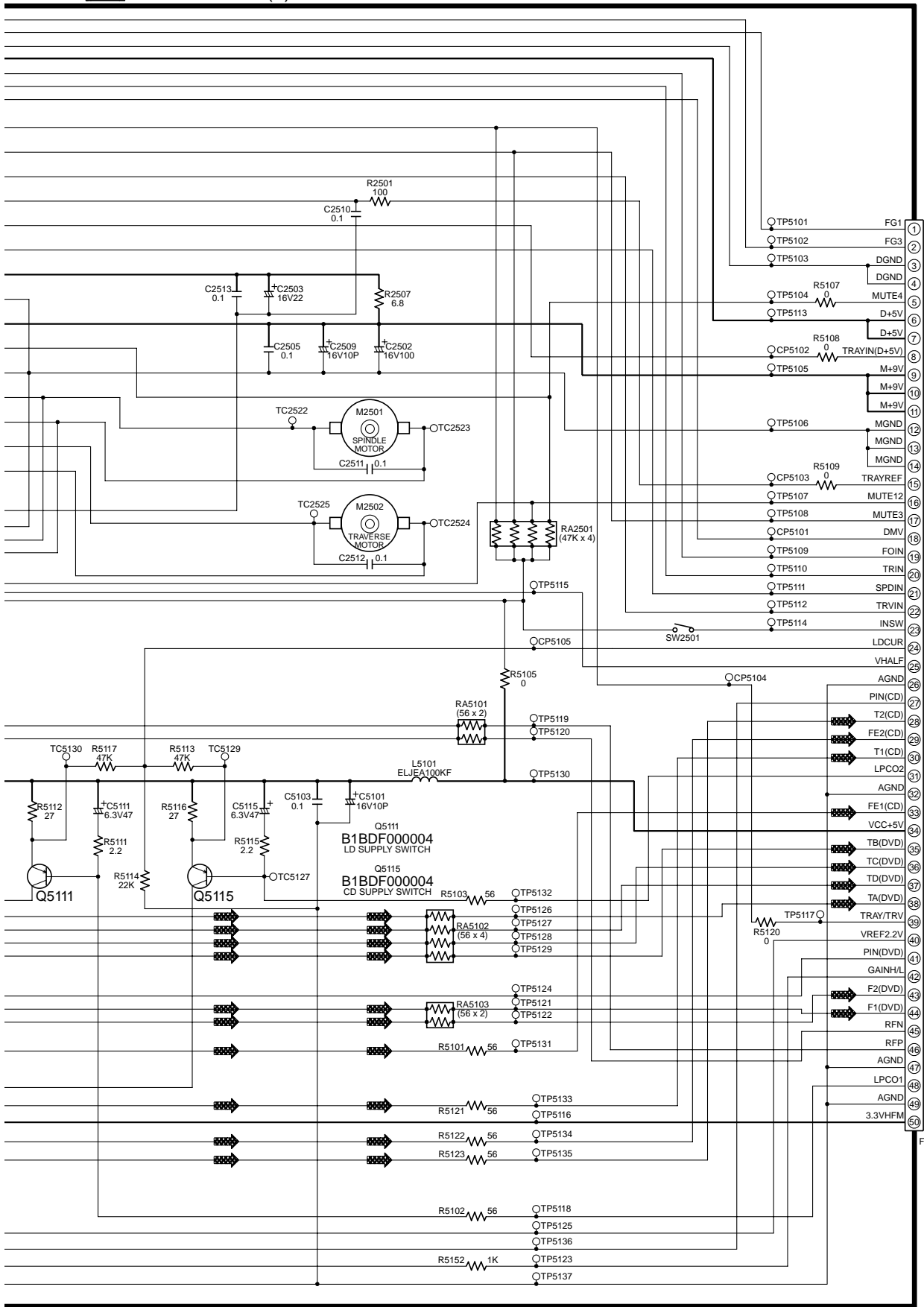
 : CD-DA SIGNAL LINE
 : +B SIGNAL LINE



SCHEMATIC DIAGRAM-2

A DVD MODULE (1) CIRCUIT

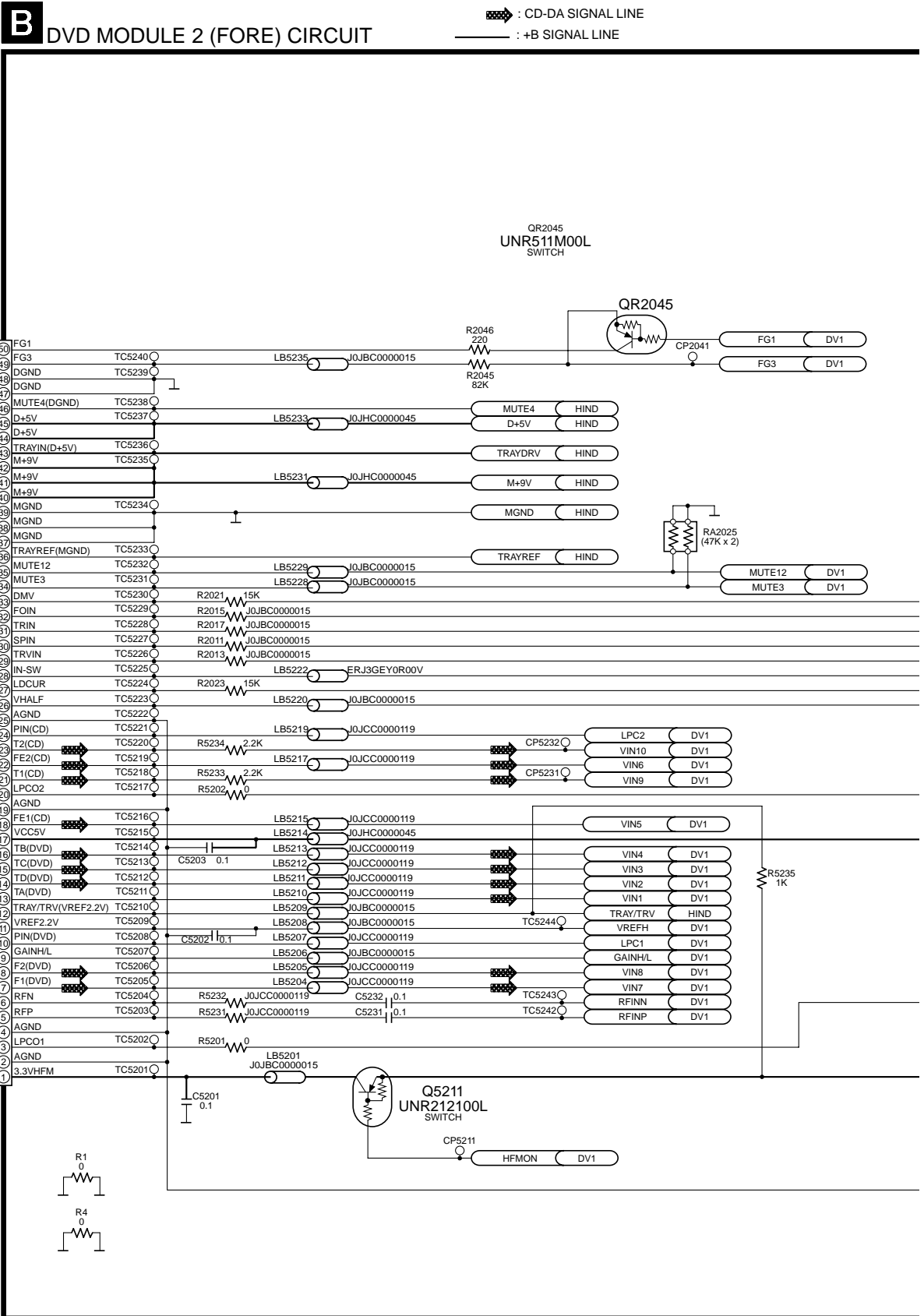
▬ : CD-DA SIGNAL LINE
 — : +B SIGNAL LINE



B TO DVD MODULE 2 (FORE) CIRCUIT (FP5201) ON SCHEMATIC DIAGRAM-3

20.2. (B) DVD Module (2) Circuit

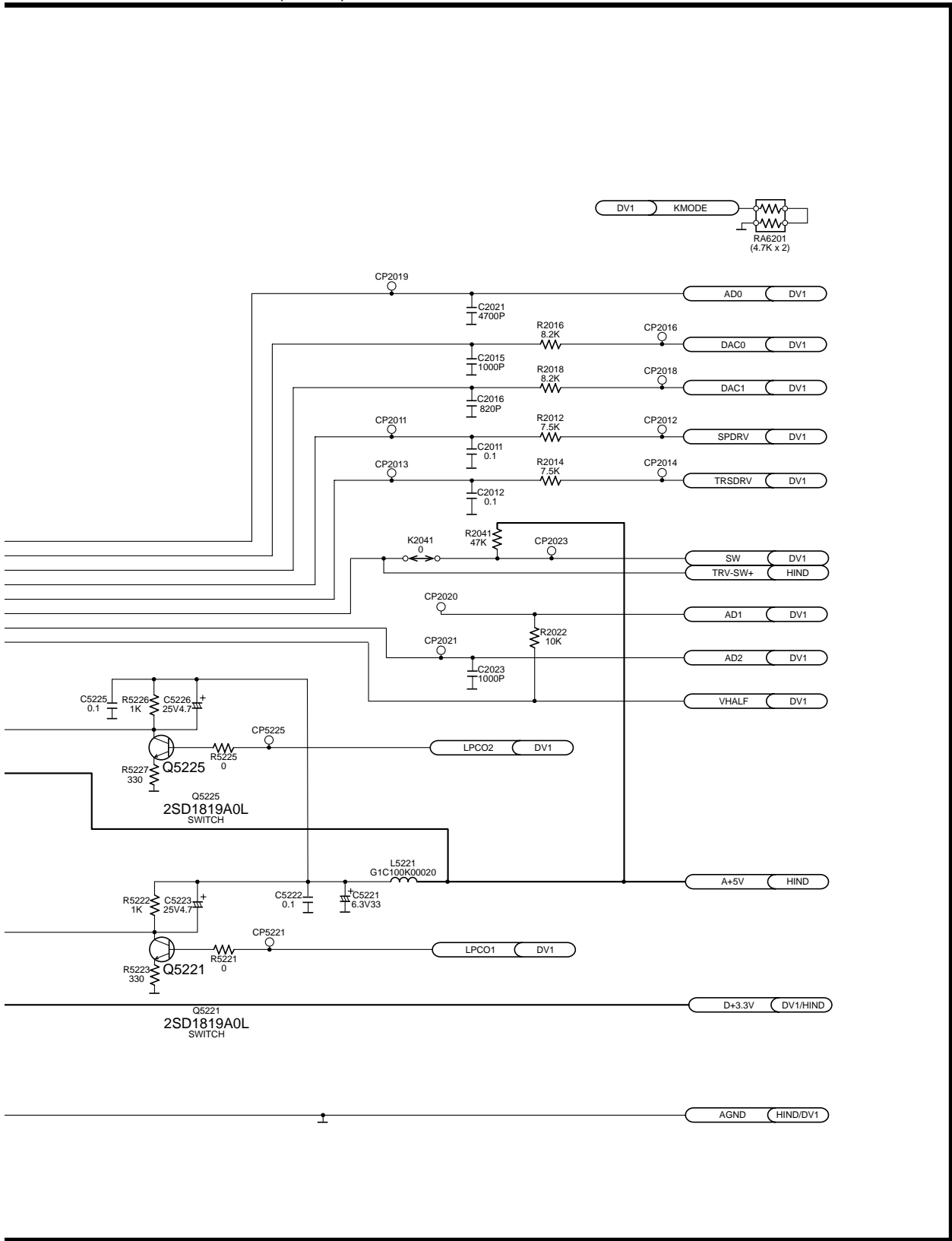
SCHEMATIC DIAGRAM - 3



SCHEMATIC DIAGRAM - 4

B DVD MODULE 2 (FORE) CIRCUIT

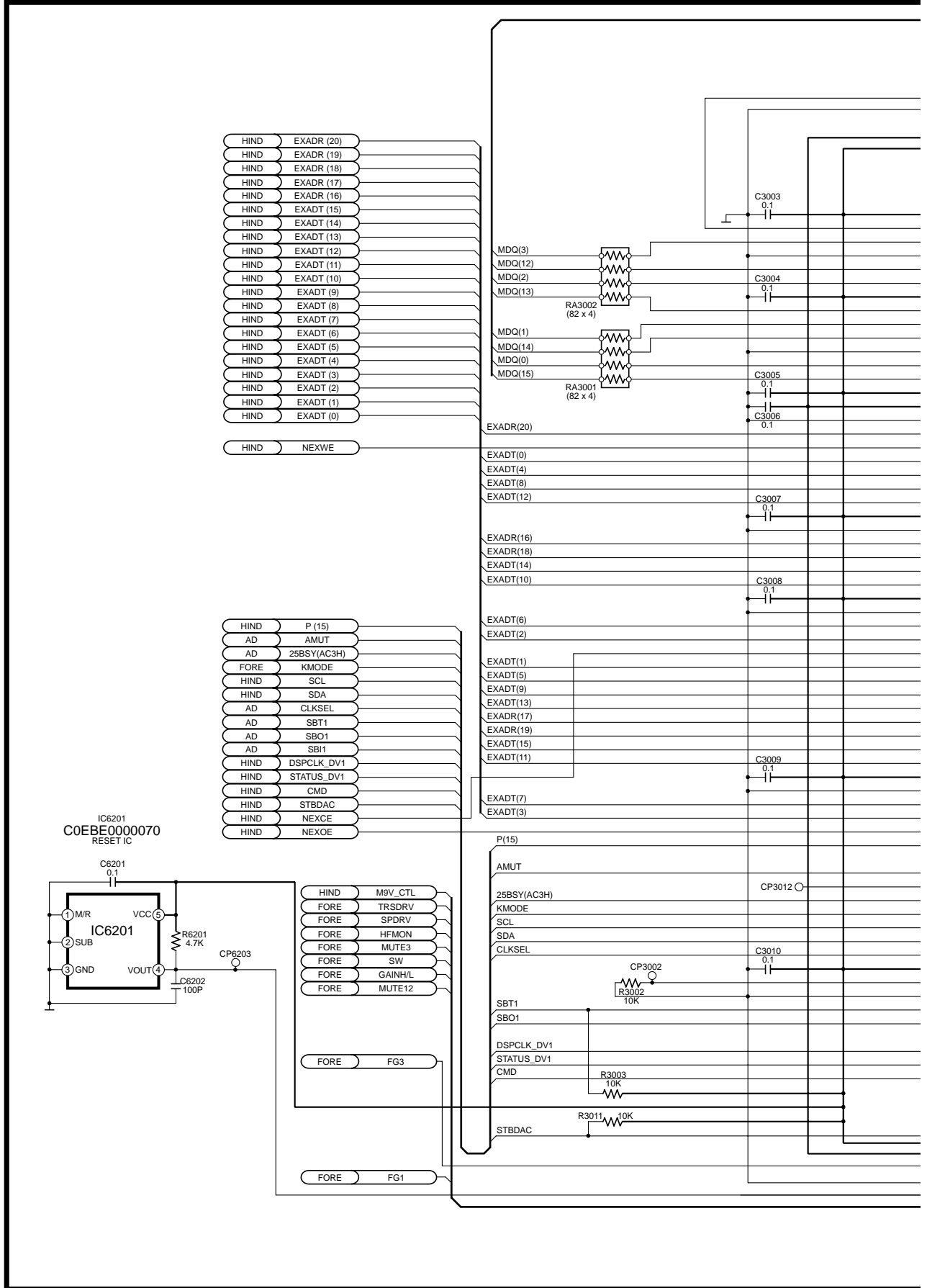
——— : +B SIGNAL LINE



SCHEMATIC DIAGRAM - 5

B DVD MODULE 2 (DV1) CIRCUIT

————— : +B SIGNAL LINE

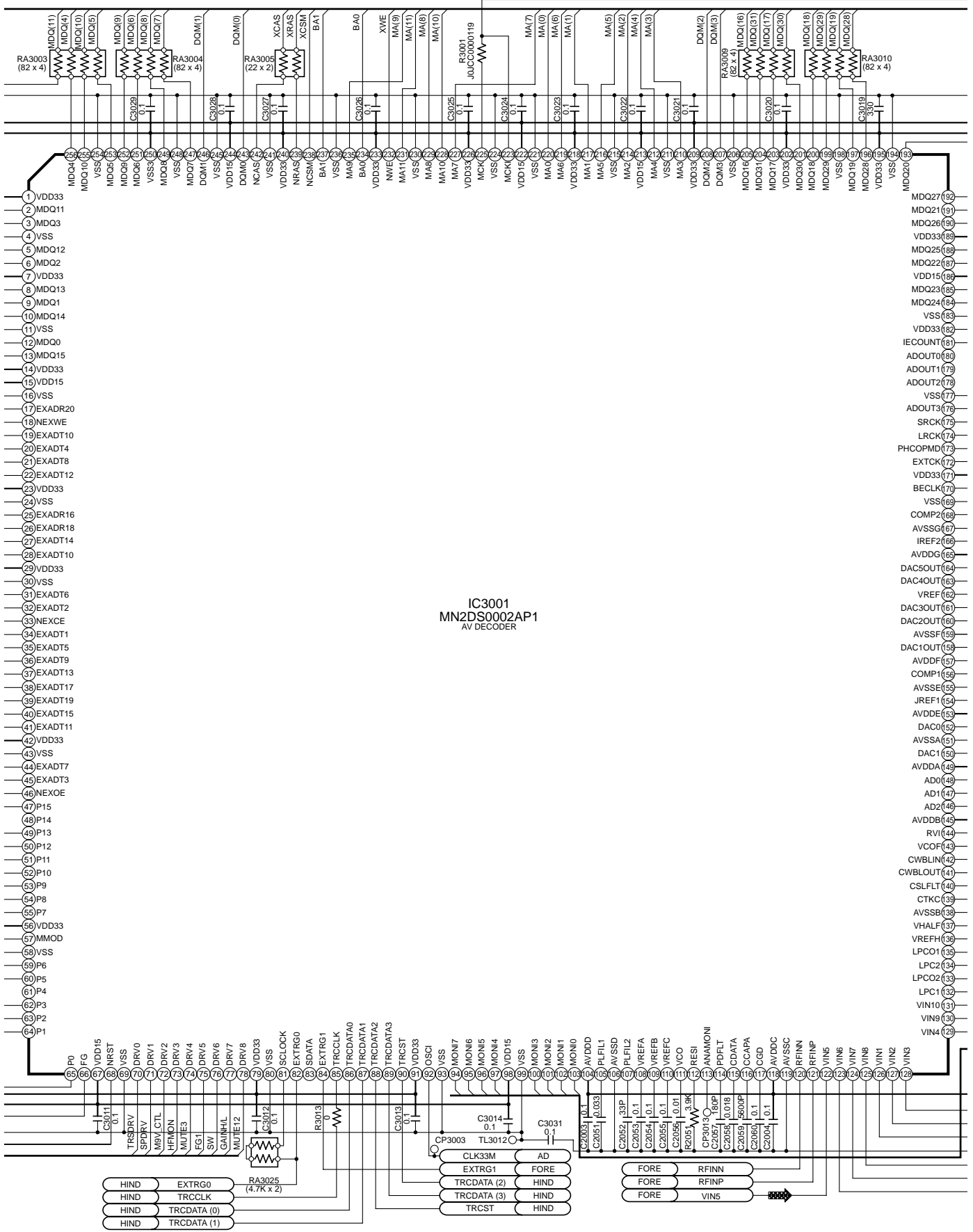


SCHEMATIC DIAGRAM - 6

B DVD MODULE 2 (DV1) CIRCUIT

➡ : CD-DA SIGNAL LINE

— : +B SIGNAL LINE



SCHEMATIC DIAGRAM - 7

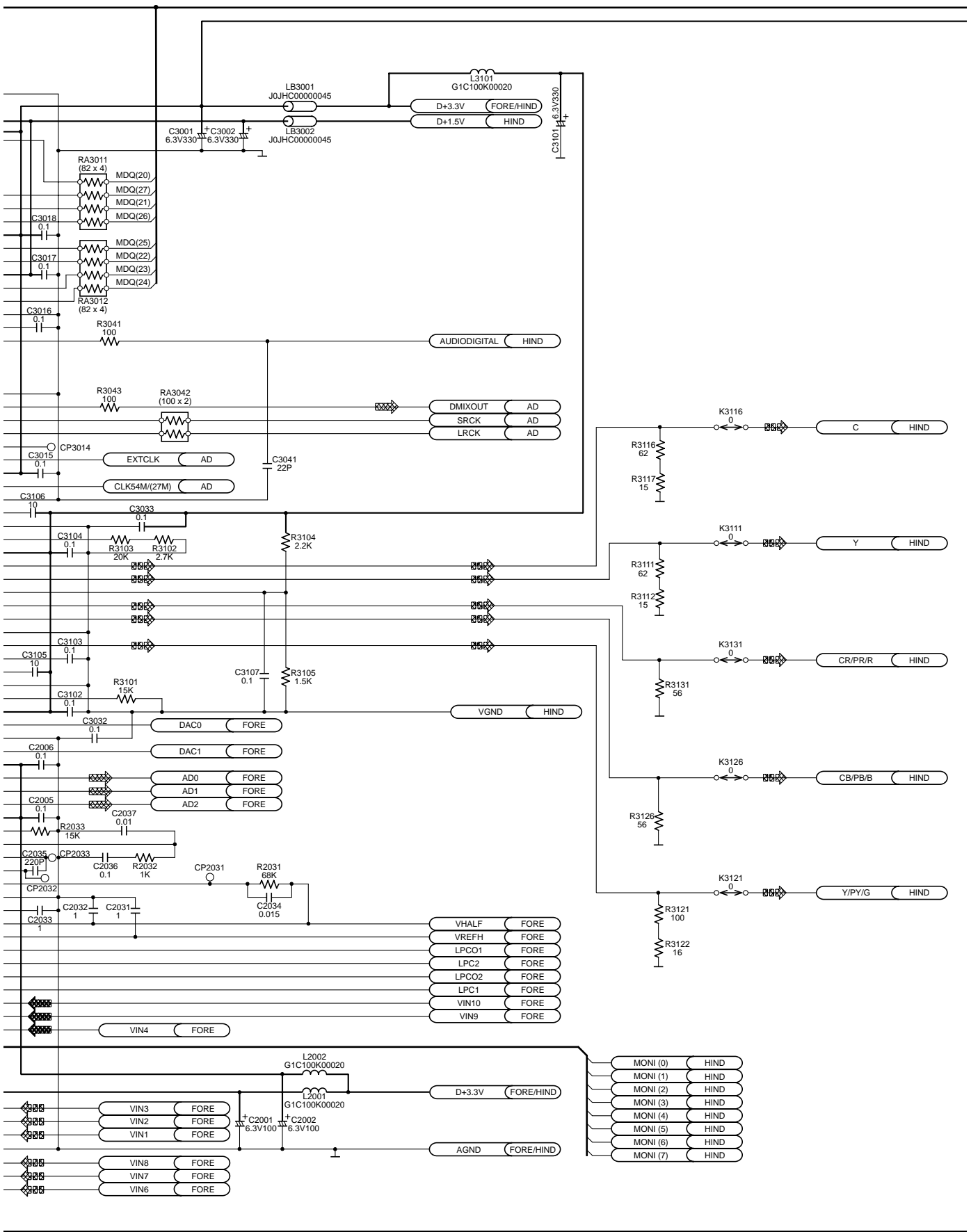
B DVD MODULE 2 (DV1) CIRCUIT

▣ : CD-DA SIGNAL LINE

▣ : DVD (AUDIO) SIGNAL LINE

— : +B SIGNAL LINE

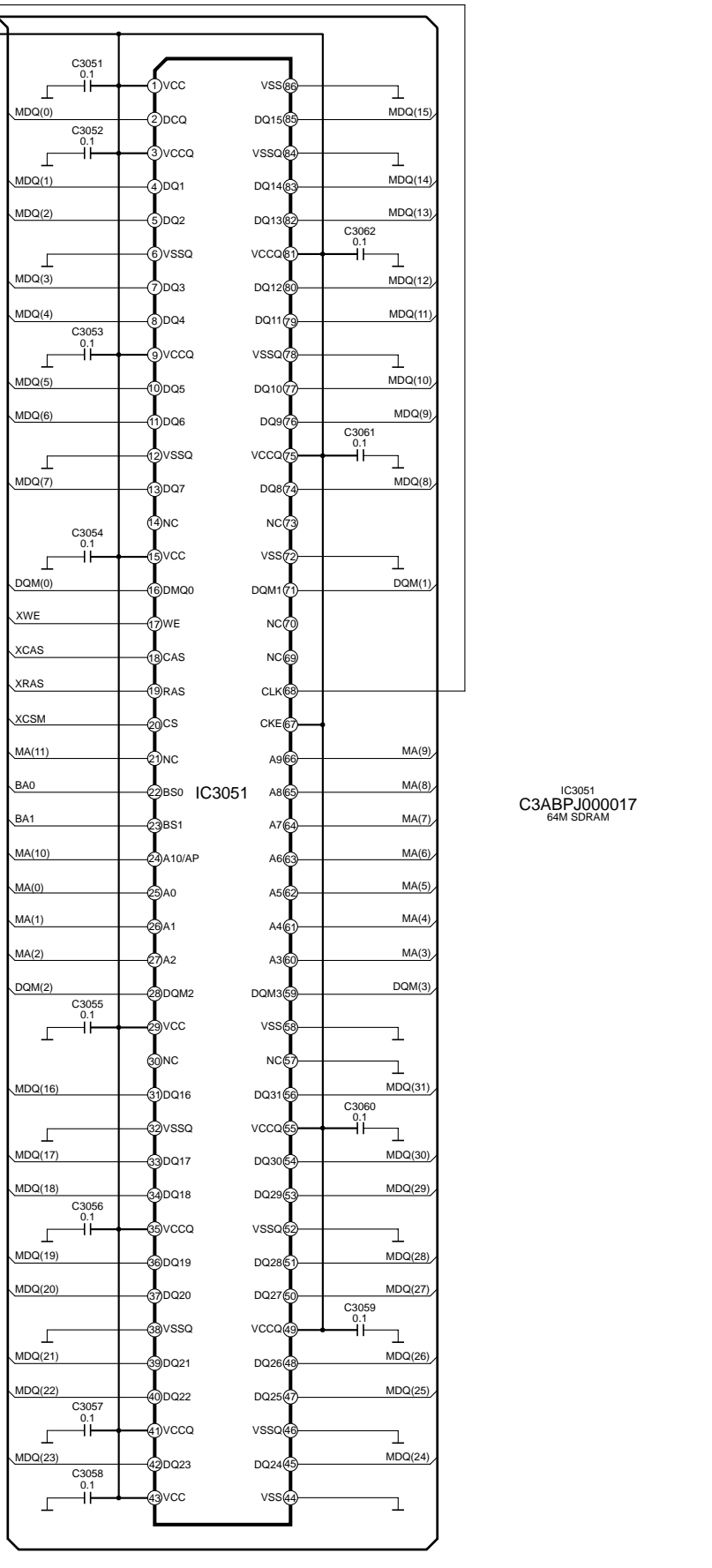
▣ : DVD (VIDEO) SIGNAL LINE



SCHEMATIC DIAGRAM - 8

B DVD MODULE 2 (DV1) CIRCUIT

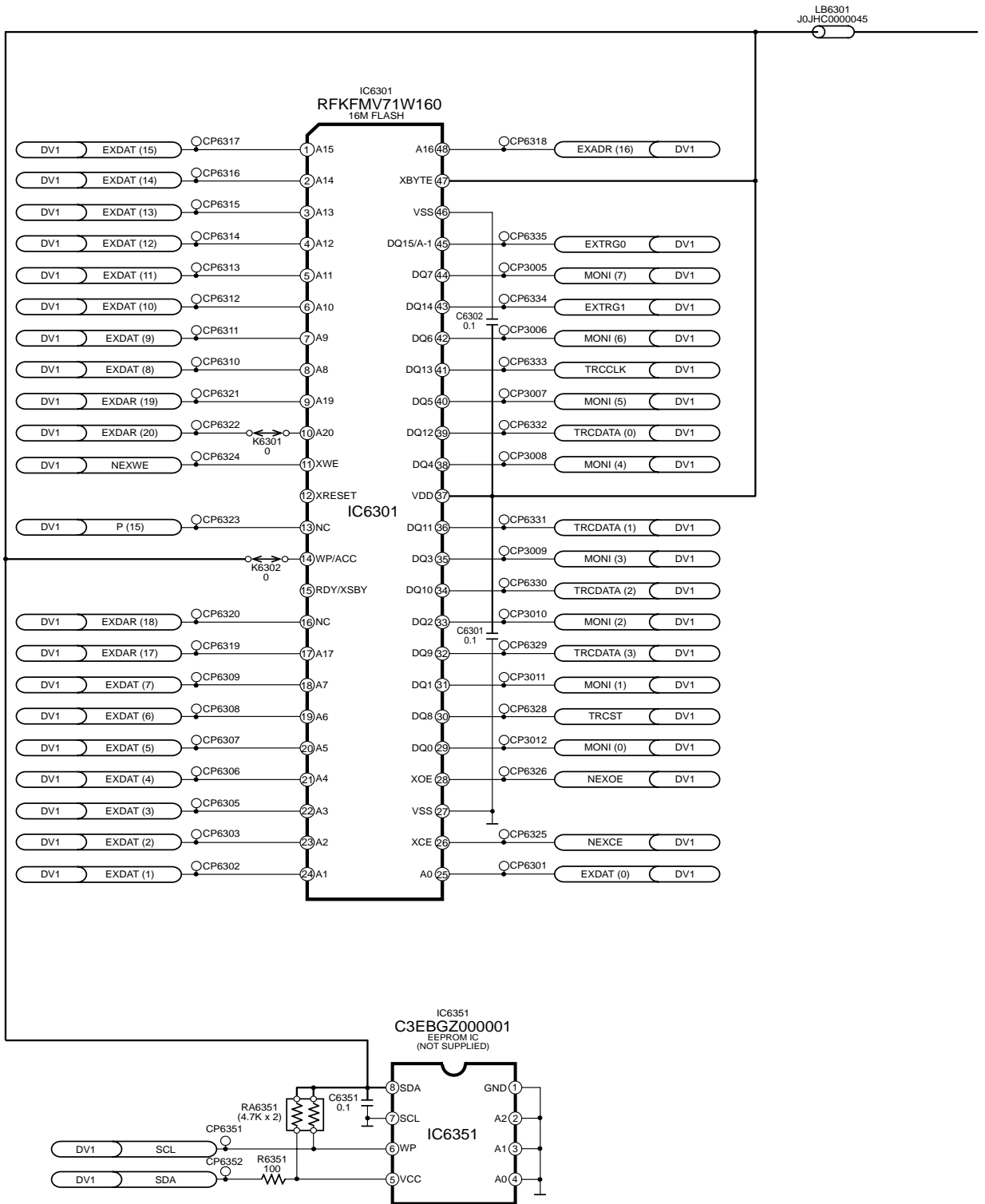
— : +B SIGNAL LINE



SCHEMATIC DIAGRAM - 9

B DVD MODULE 2 (HIND) CIRCUIT

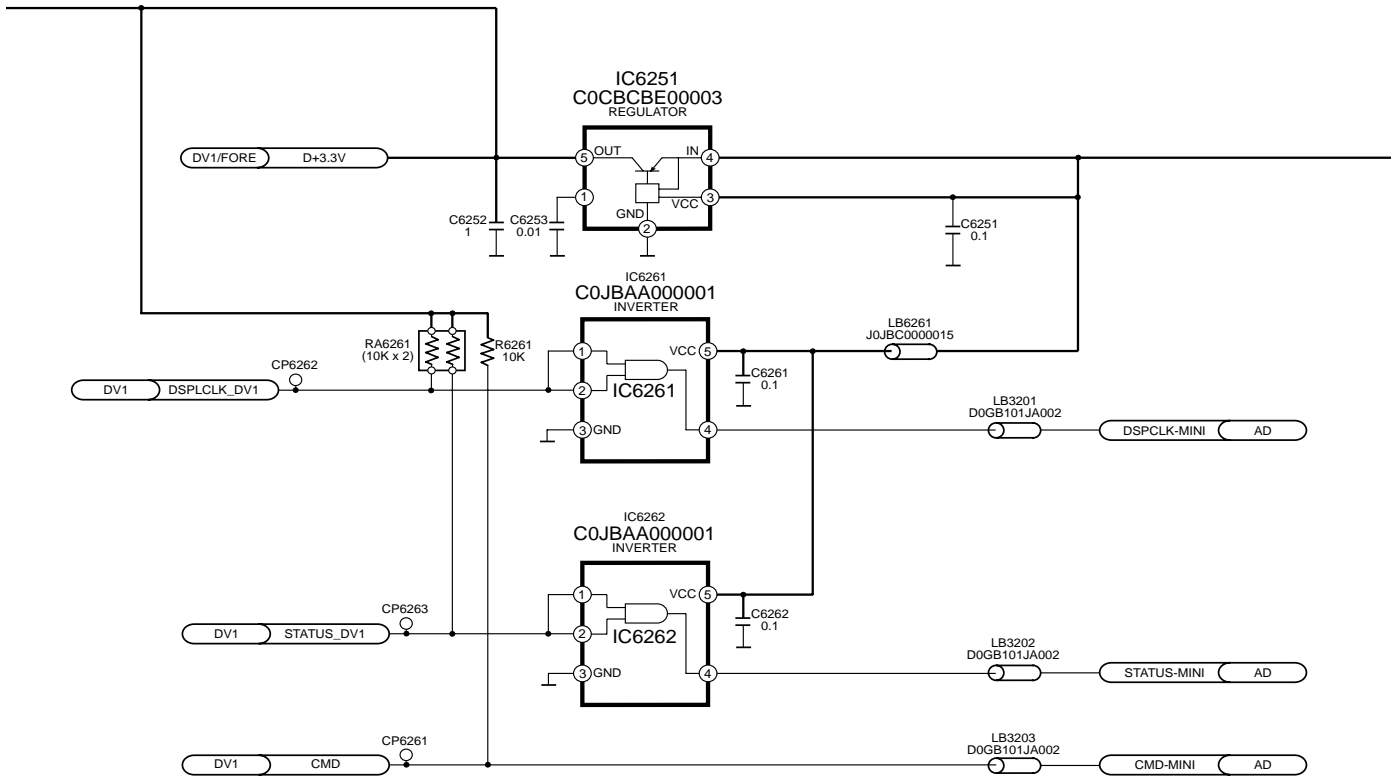
————— : +B SIGNAL LINE



SCHEMATIC DIAGRAM - 10

B DVD MODULE 2 (HIND) CIRCUIT

_____ : +B SIGNAL LINE

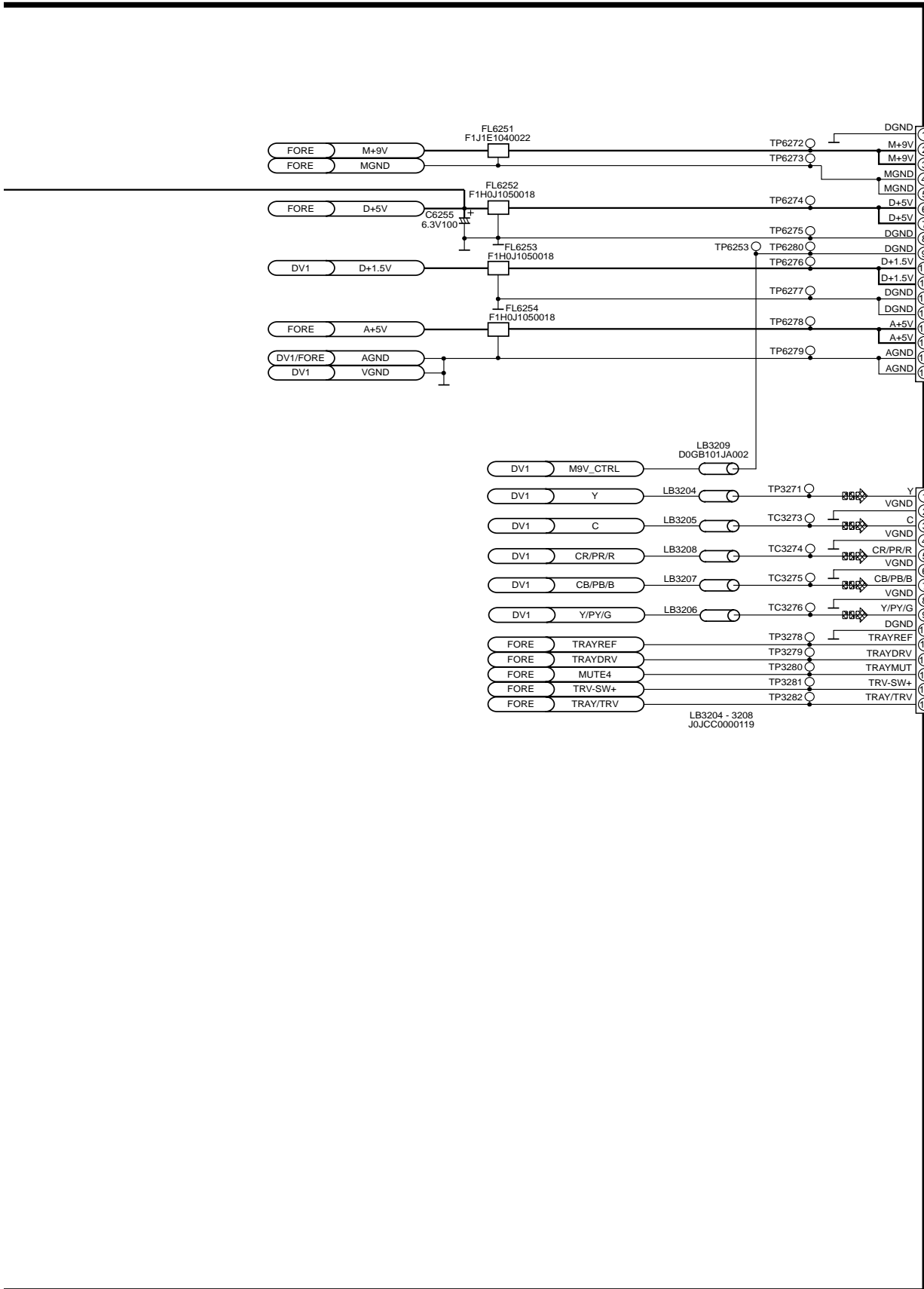


SCHEMATIC DIAGRAM - 11

B DVD MODULE 2 (HIND) CIRCUIT

— : +B SIGNAL LINE

⊞ : DVD (VIDEO) SIGNAL LINE



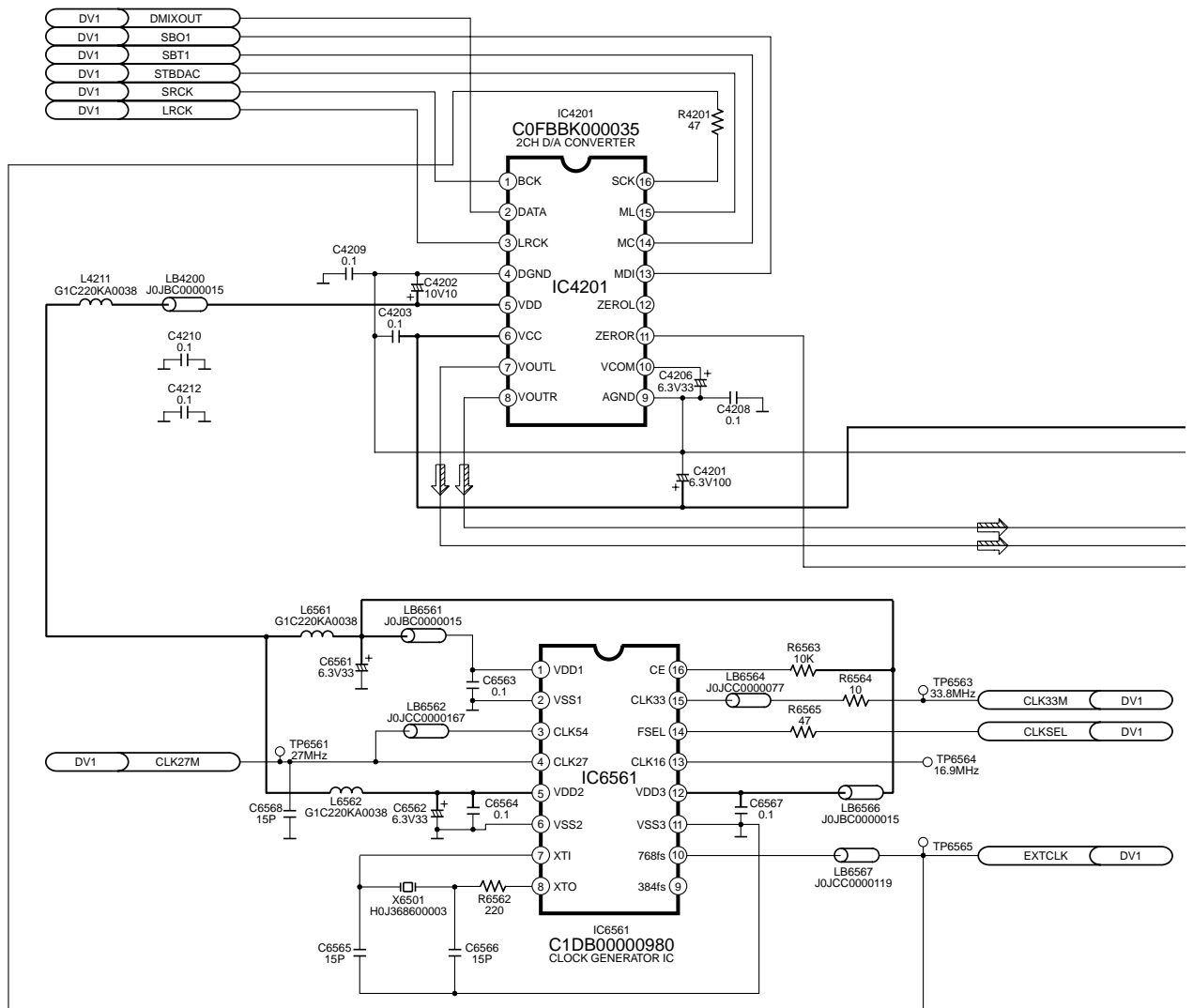
TO **C** MAIN CIRCUIT (CN306) ON SCHEMATIC DIAGRAM - 18

TO **C** MAIN CIRCUIT (CN304) ON SCHEMATIC DIAGRAM - 18

SCHEMATIC DIAGRAM - 12

B DVD MODULE (2) (AUDIO DAC) CIRCUIT

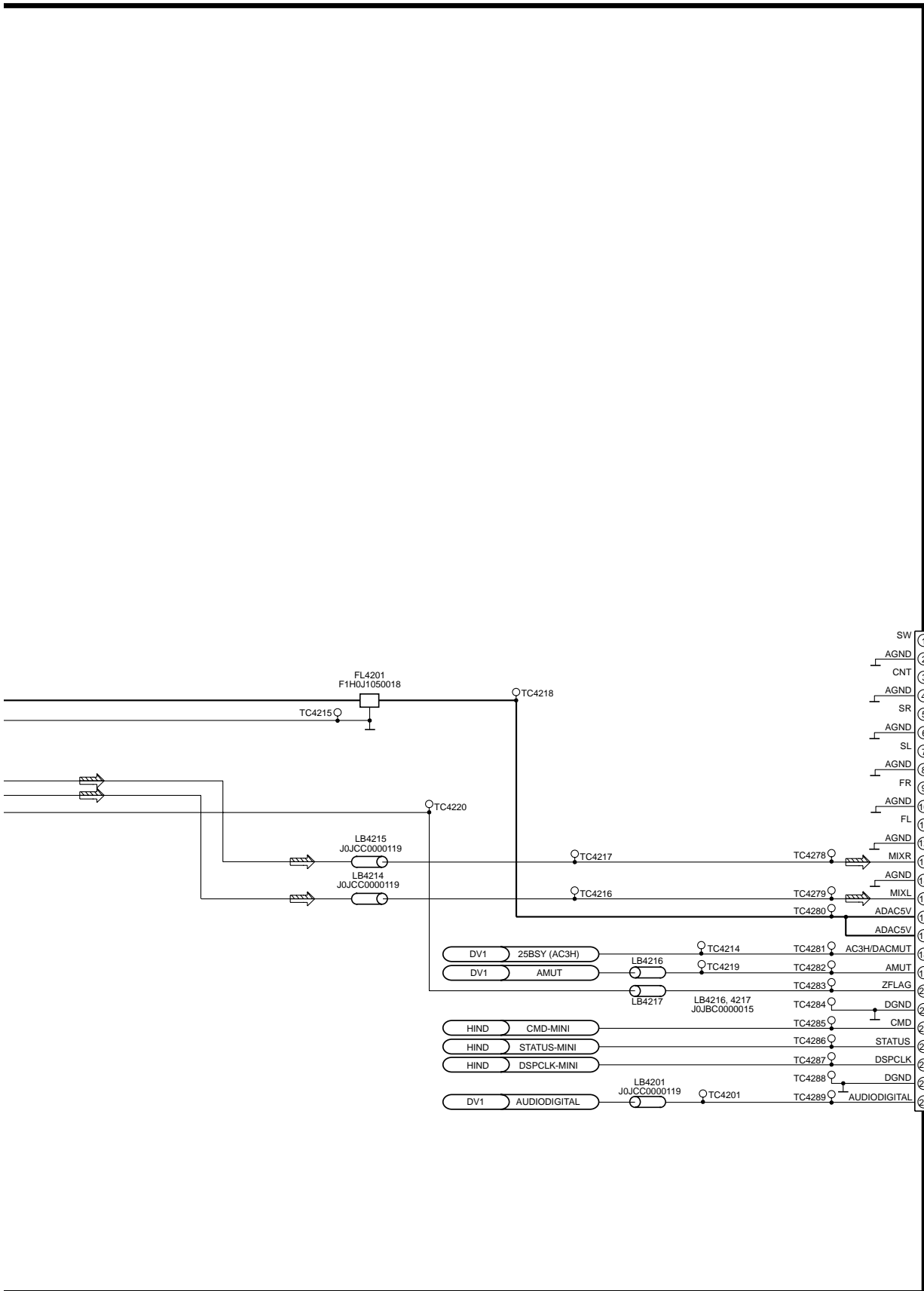
— : +B SIGNAL LINE ⇨ : MAIN SIGNAL LINE



SCHEMATIC DIAGRAM - 13

B DVD MODULE (2) (AUDIO DAC) CIRCUIT

— : +B SIGNAL LINE
 ⇨ : MAIN SIGNAL LINE



FP4202

- SW ①
- AGND ②
- CNT ③
- AGND ④
- SR ⑤
- AGND ⑥
- SL ⑦
- AGND ⑧
- FR ⑨
- AGND ⑩
- FL ⑪
- AGND ⑫
- MIXR ⑬
- AGND ⑭
- MIXL ⑮
- ADAC5V ⑯
- ADAC5V ⑰
- AC3H/DACMUT ⑱
- AMUT ⑲
- ZFLAG ⑳
- DGND ㉑
- CMD ㉒
- STATUS ㉓
- DSPCLK ㉔
- DGND ㉕
- AUDIODIGITAL ㉖

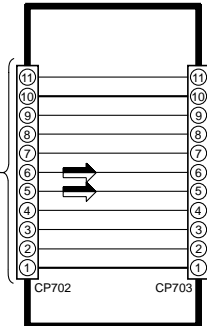
C
 TO MAIN CIRCUIT
 (CN303) ON
 SCHEMATIC
 DIAGRAM - 16

20.3. (C) Main Circuit & (D) Tuner Extent Circuit

SCHEMATIC DIAGRAM - 14



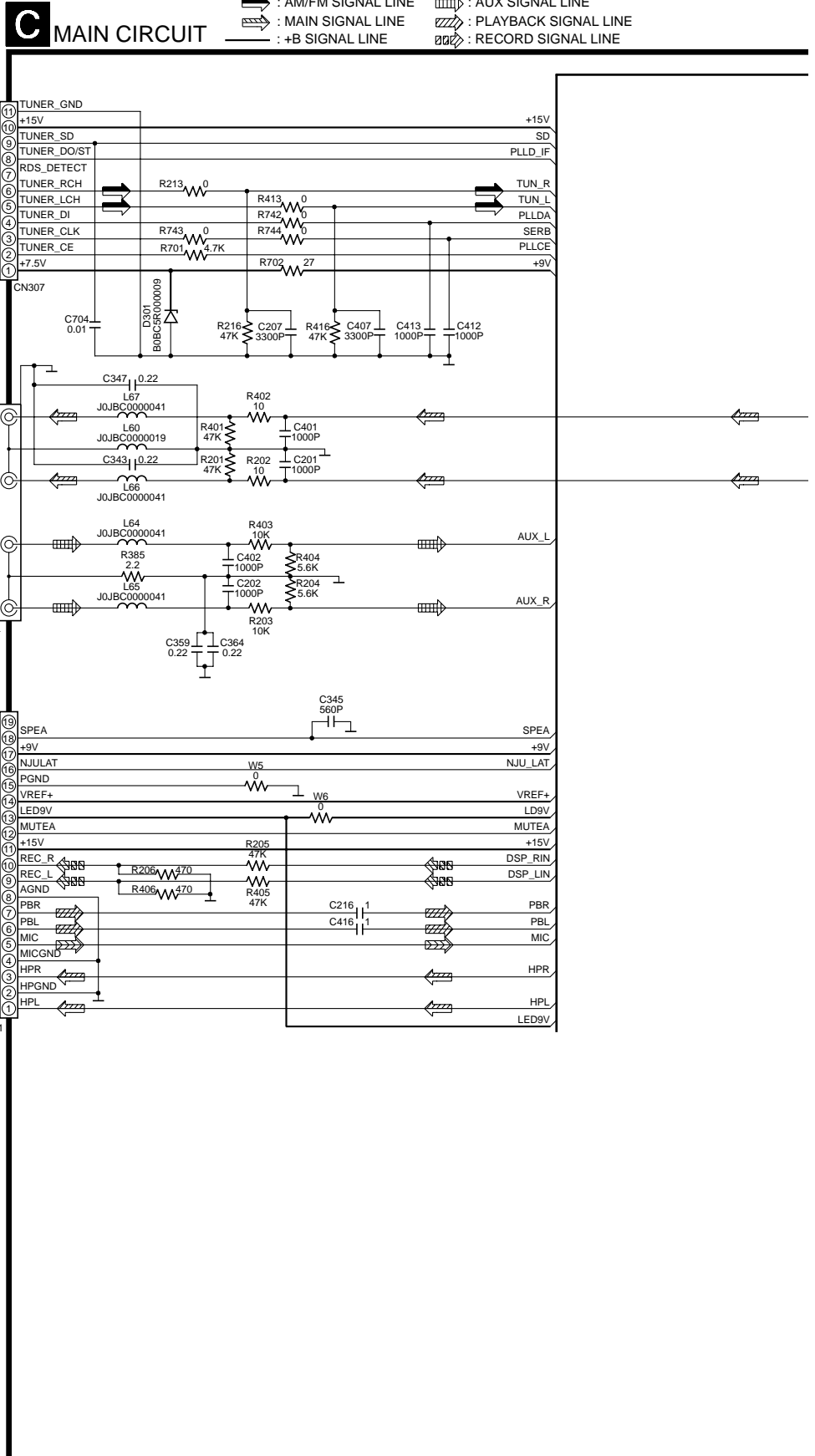
H
TO TUNER CIRCUIT
(CP100) ON
SCHEMATIC
DIAGRAM - 31



D
TUNER
EXTENT
CIRCUIT



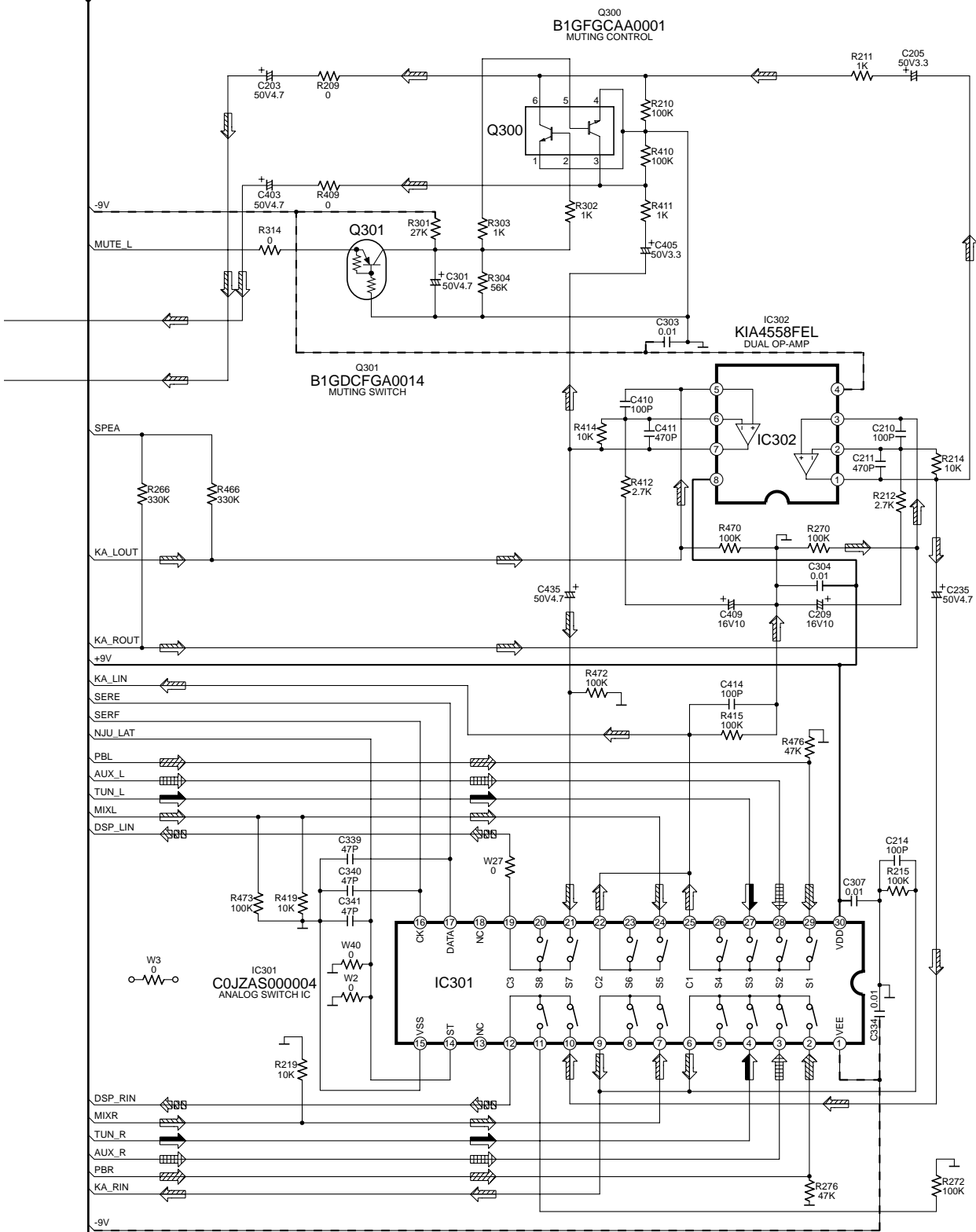
E
TO PANEL CIRCUIT
(CP601) ON
SCHEMATIC
DIAGRAM - 29



SCHEMATIC DIAGRAM - 15

C MAIN CIRCUIT

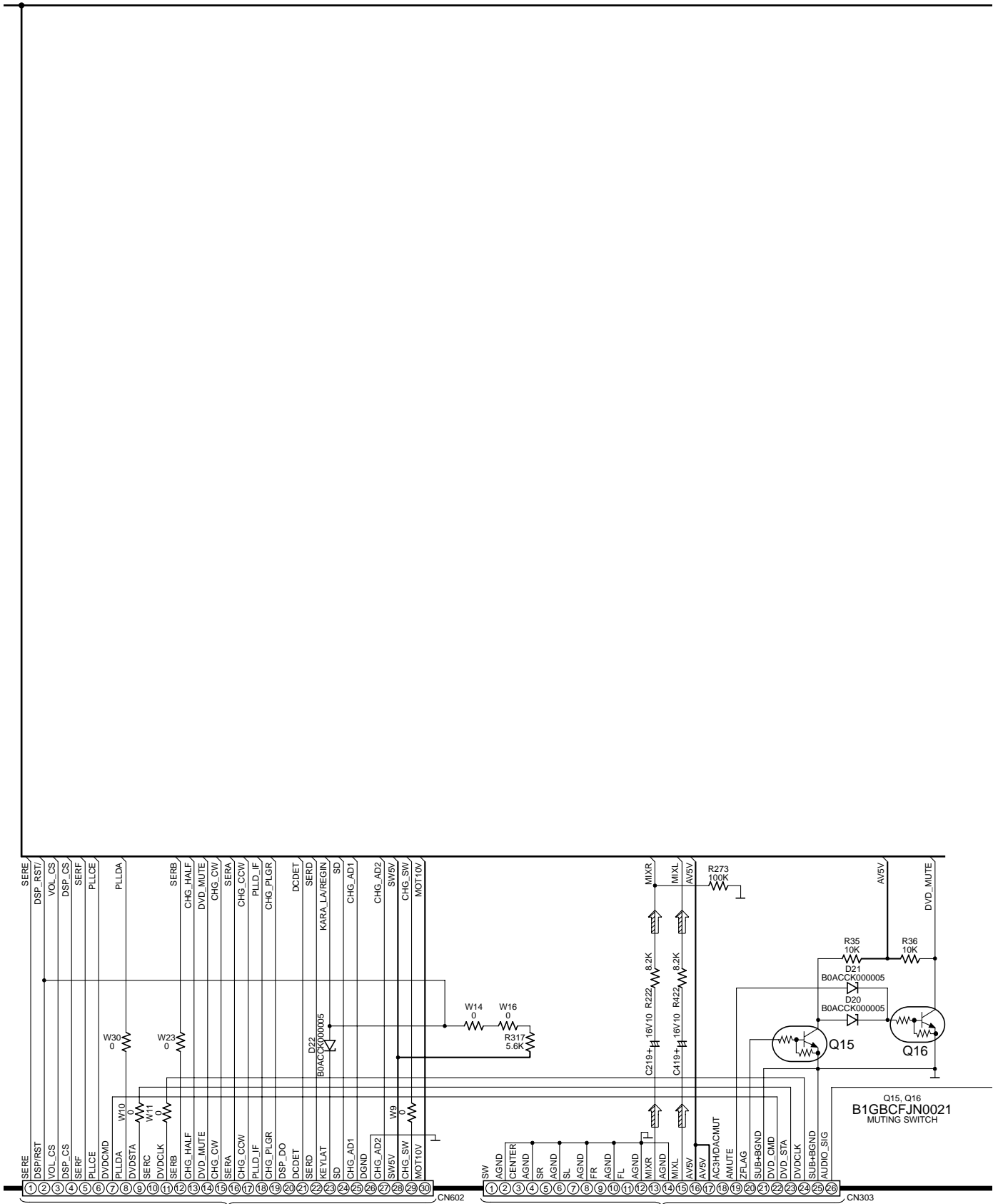
- - - : -B SIGNAL LINE
- ▨ : AUX SIGNAL LINE
- ▧ : PLAYBACK SIGNAL LINE
- ▩ : RECORD SIGNAL LINE
- : MAIN SIGNAL LINE
- ▬ : +B SIGNAL LINE
- ▮ : AM/FM SIGNAL LINE



SCHEMATIC DIAGRAM - 16

C MAIN CIRCUIT

— : +B SIGNAL LINE ⇨ : MAIN SIGNAL LINE



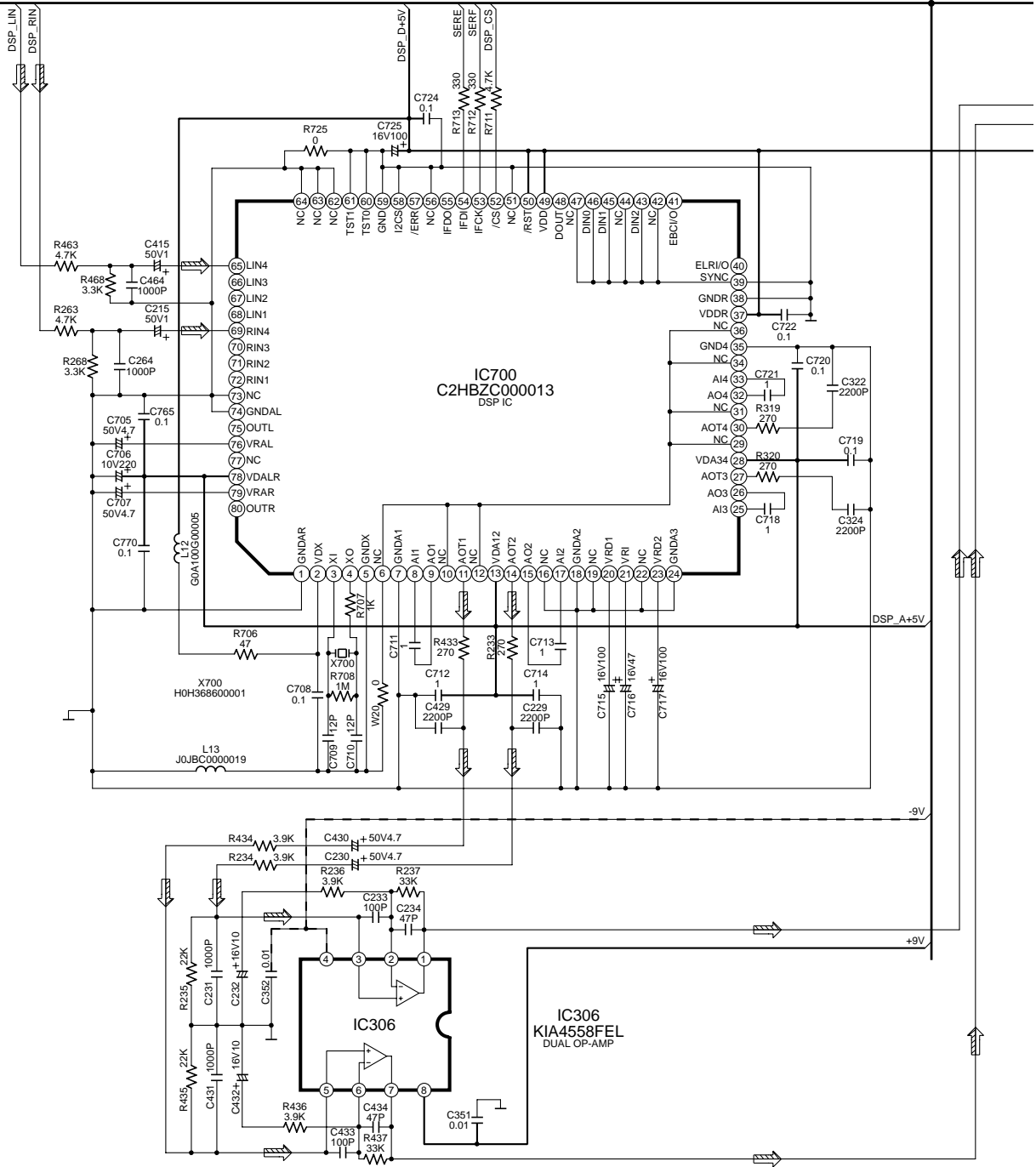
E
TO PANEL CIRCUIT
(CP602) ON
SCHEMATIC DIAGRAM - 29

B
TO DVD MODULE 2 CIRCUIT
(FP4202) ON
SCHEMATIC DIAGRAM - 13

SCHEMATIC DIAGRAM - 17

MAIN CIRCUIT

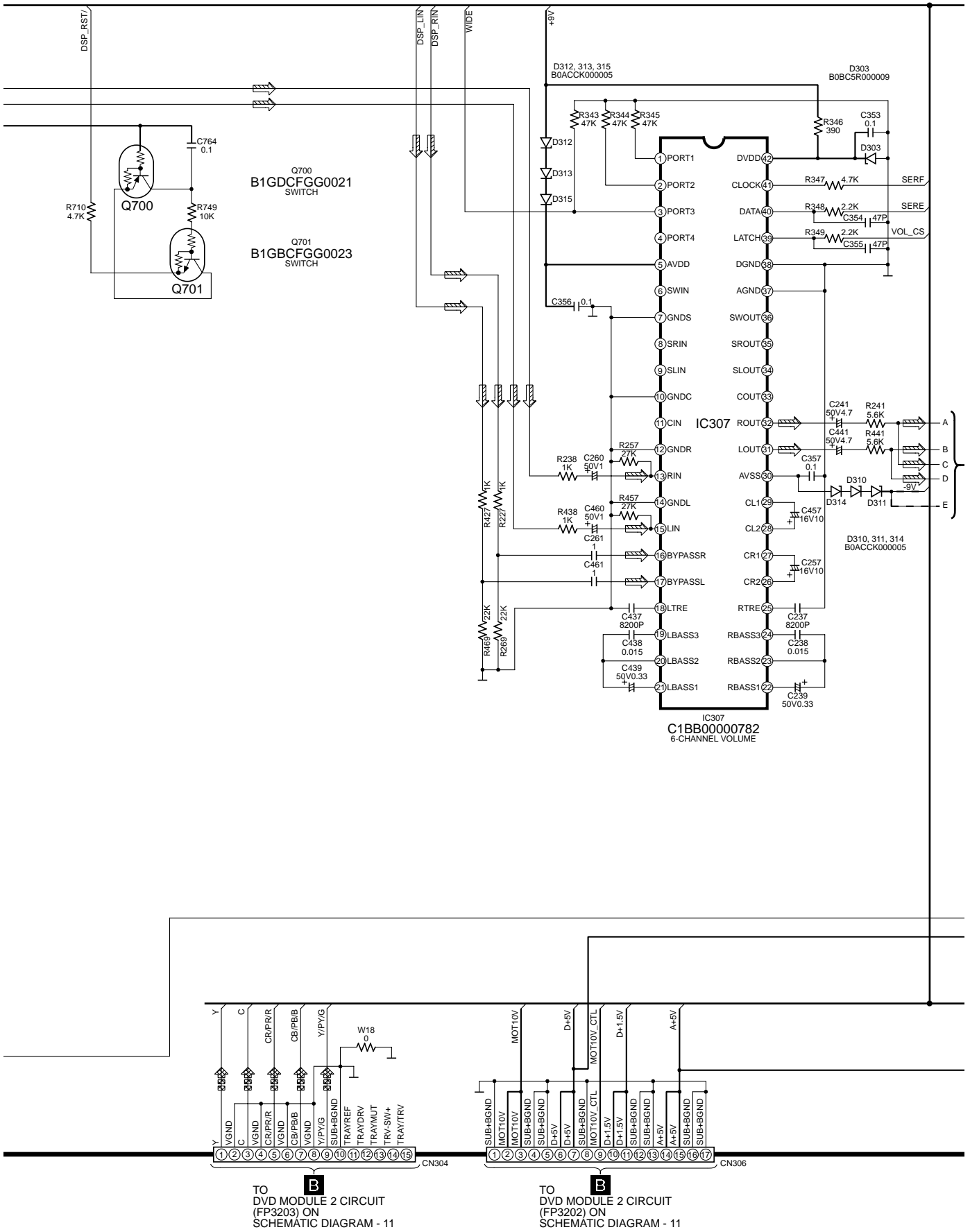
--- : -B SIGNAL LINE
— : +B SIGNAL LINE
⇨ : MAIN SIGNAL LINE



SCHEMATIC DIAGRAM - 18

C MAIN CIRCUIT

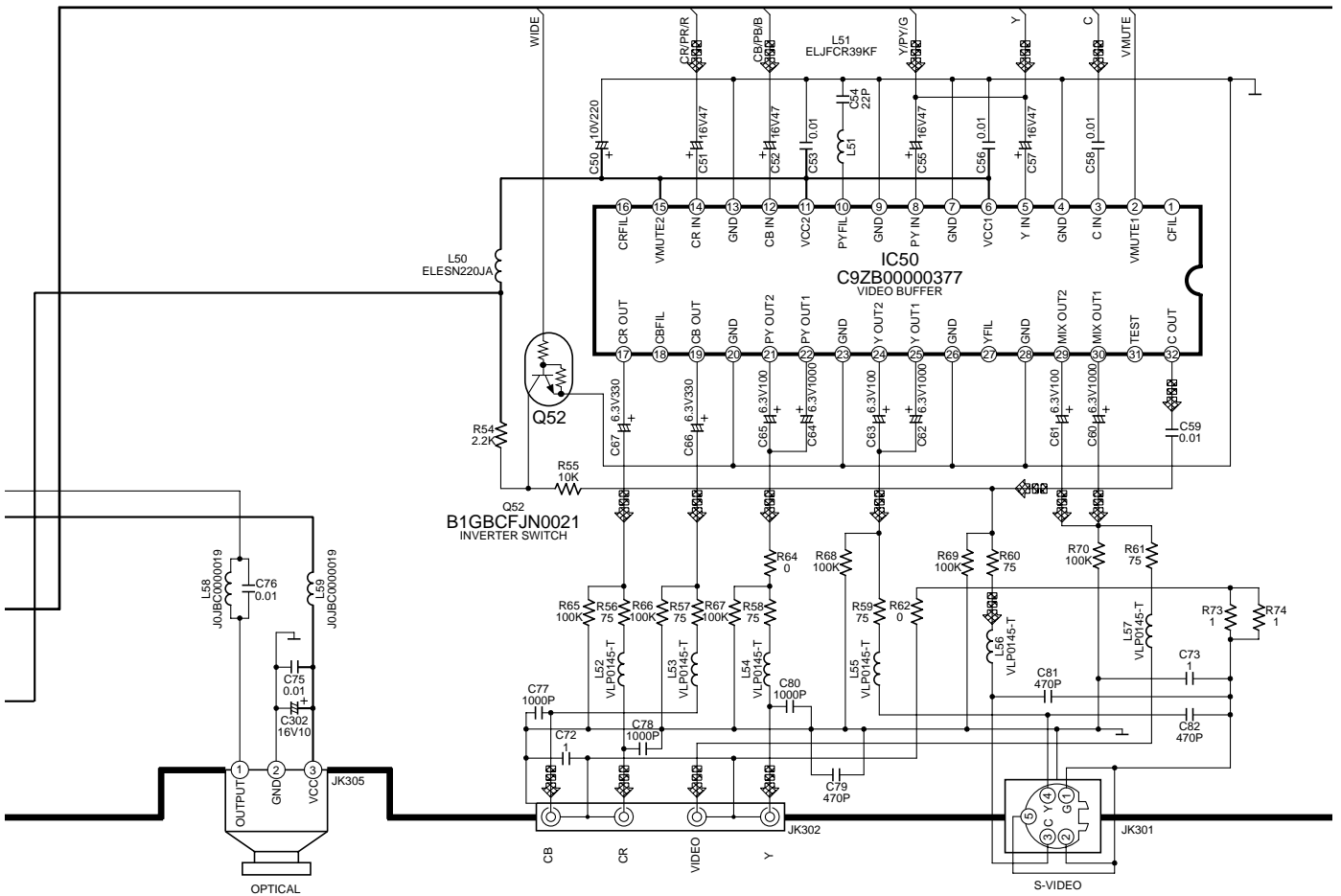
--- : -B SIGNAL LINE  : DVD (VIDEO) SIGNAL LINE
 — : +B SIGNAL LINE  : MAIN SIGNAL LINE



SCHEMATIC DIAGRAM - 19

C MAIN CIRCUIT

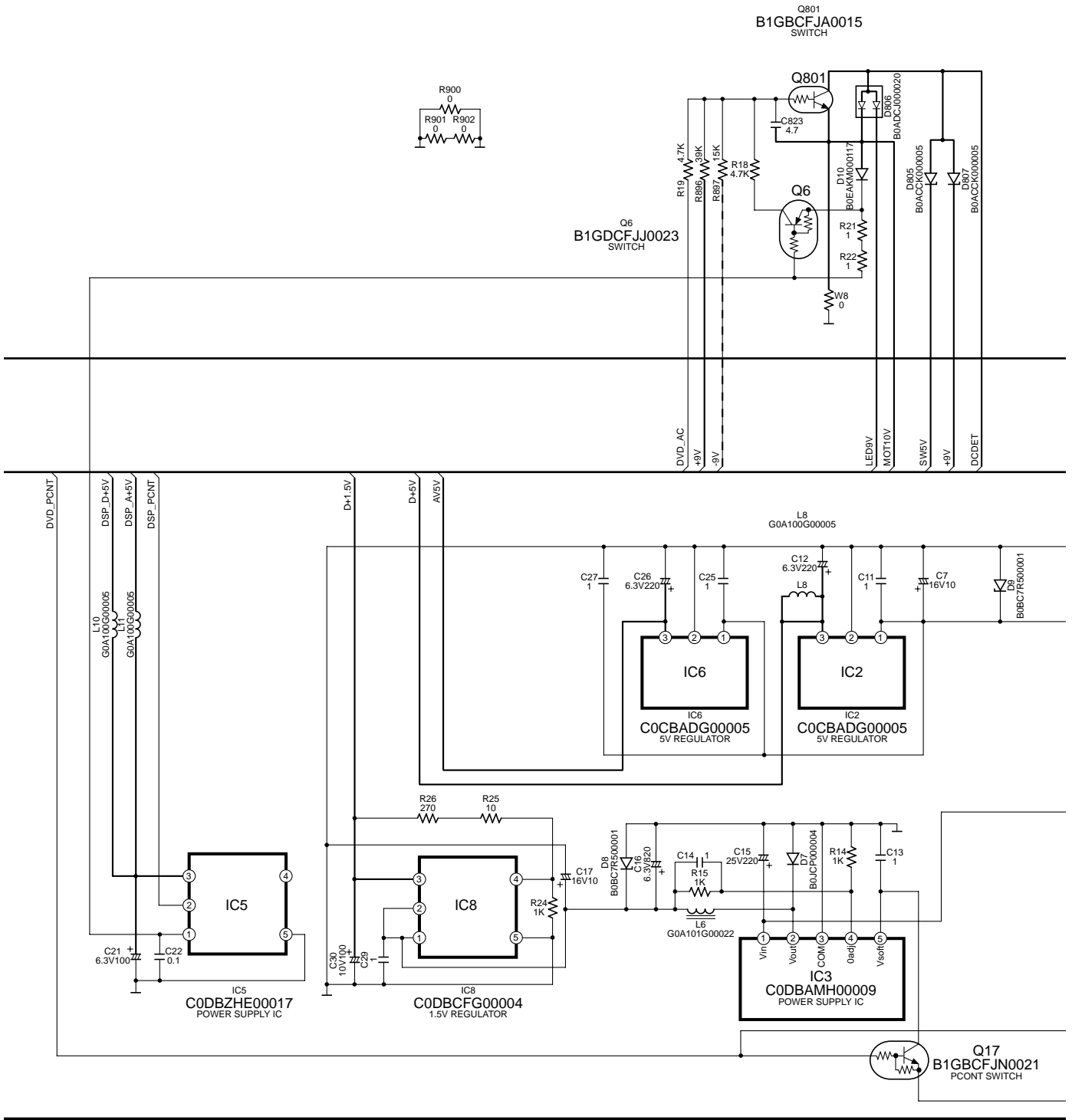
— : +B SIGNAL LINE  : DVD (VIDEO) SIGNAL LINE



SCHEMATIC DIAGRAM - 20

C MAIN CIRCUIT

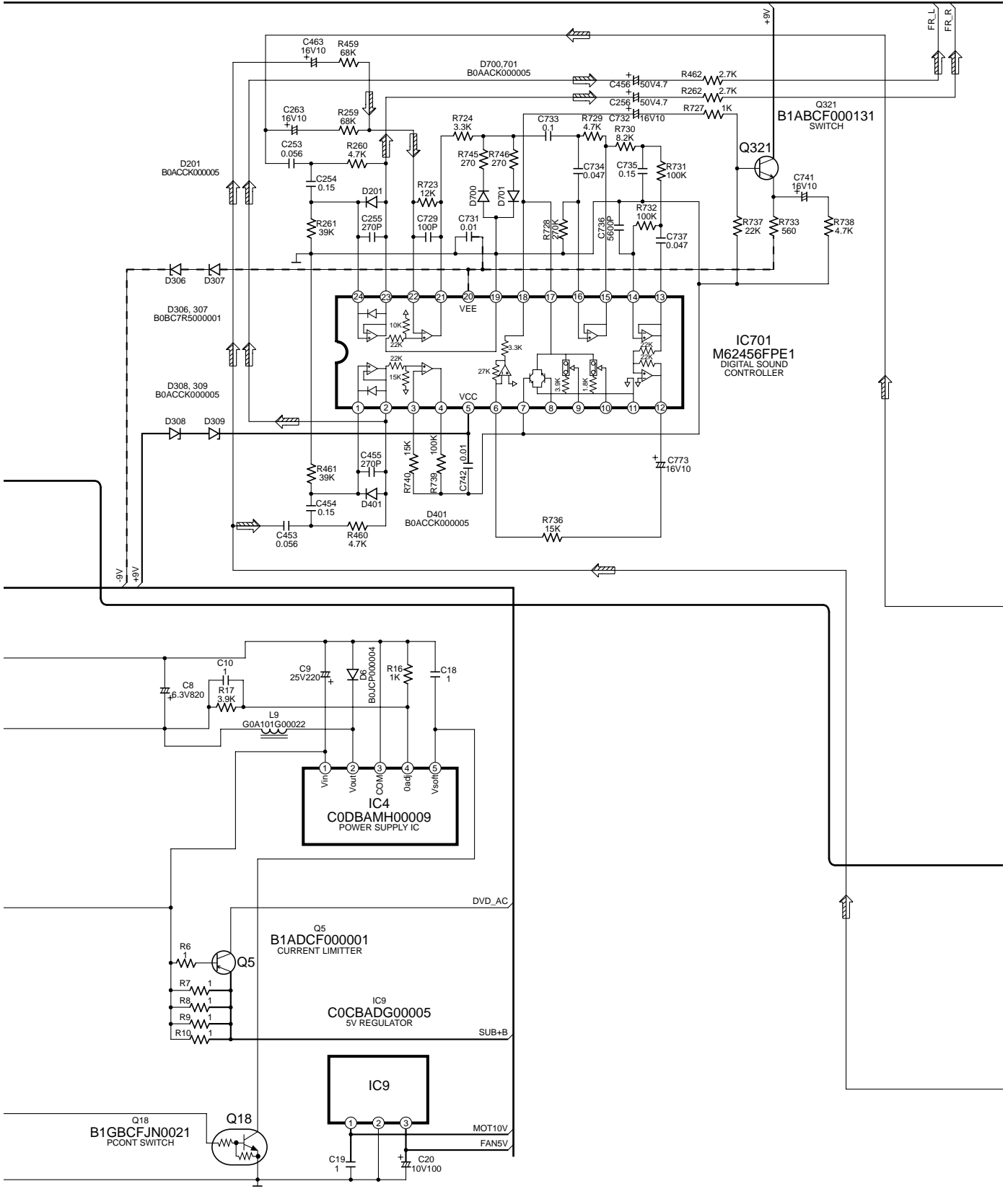
--- : -B SIGNAL LINE
 — : +B SIGNAL LINE



SCHEMATIC DIAGRAM - 21

C MAIN CIRCUIT

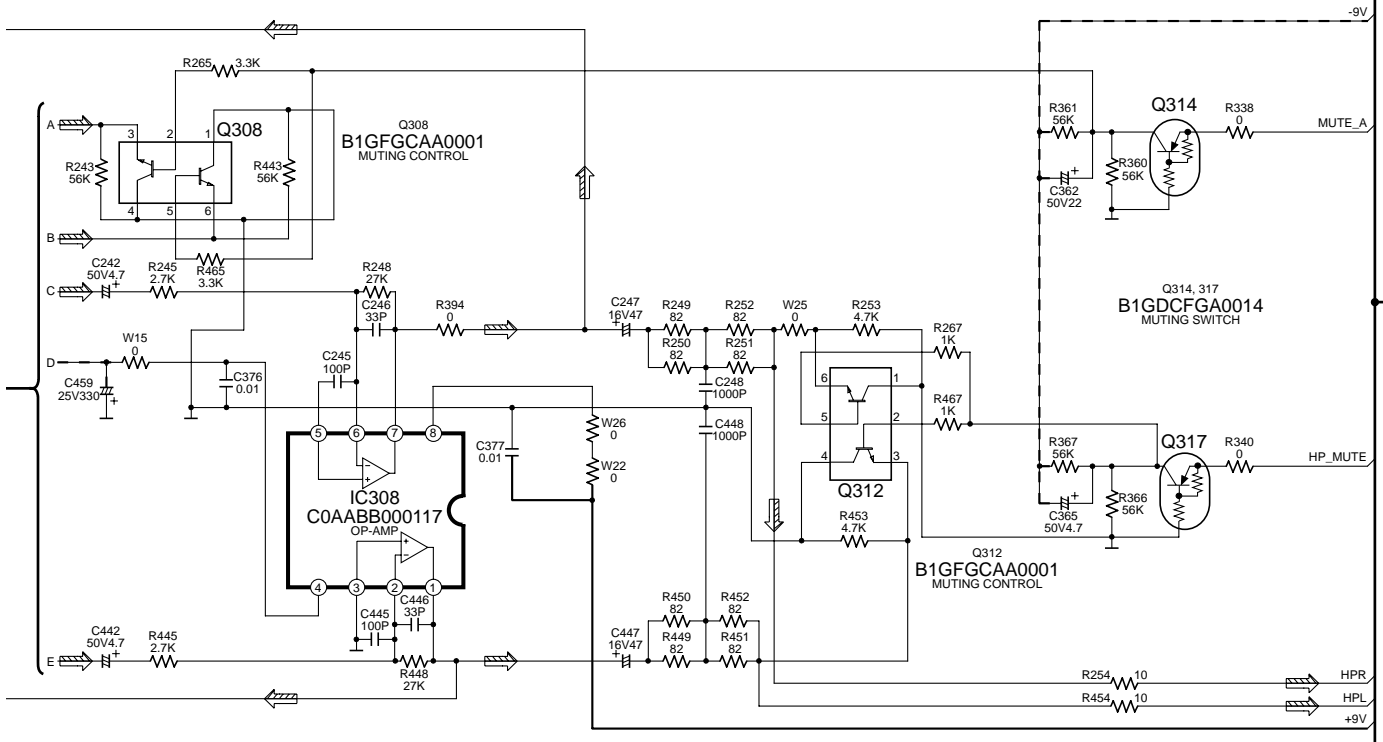
--- : -B SIGNAL LINE
 --- : +B SIGNAL LINE ⇨ : MAIN SIGNAL LINE



SCHEMATIC DIAGRAM - 22

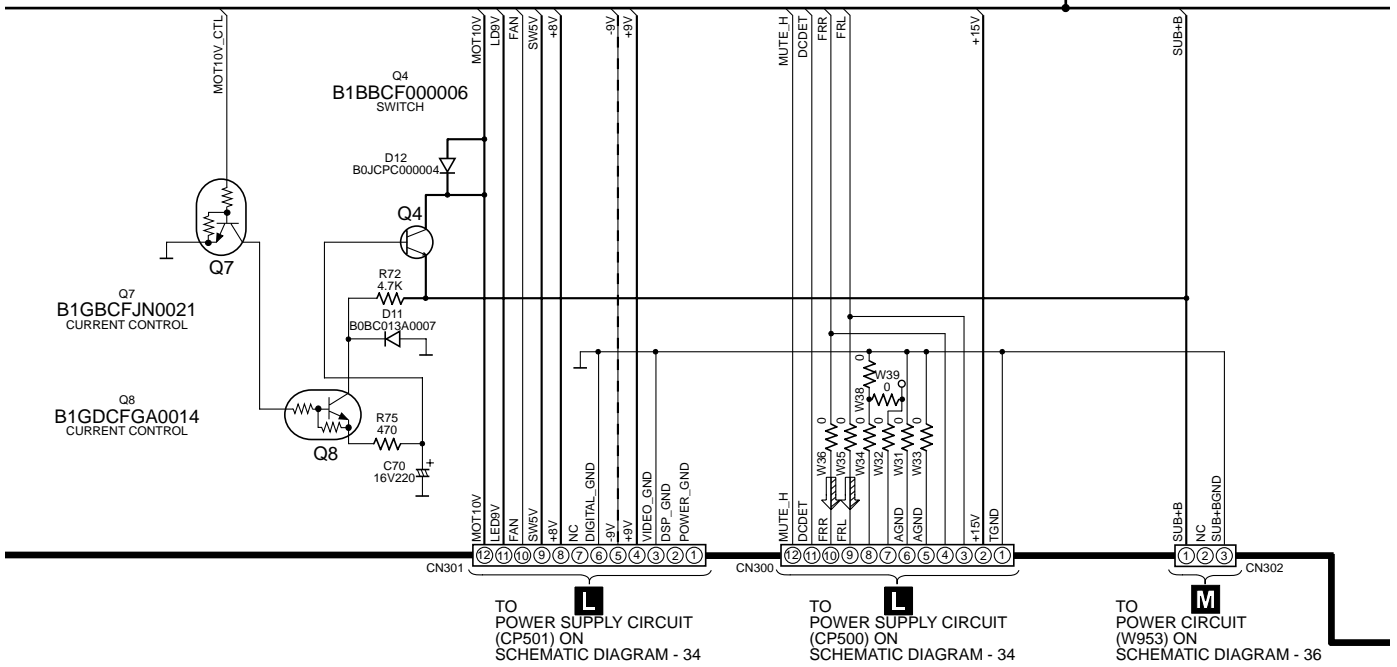
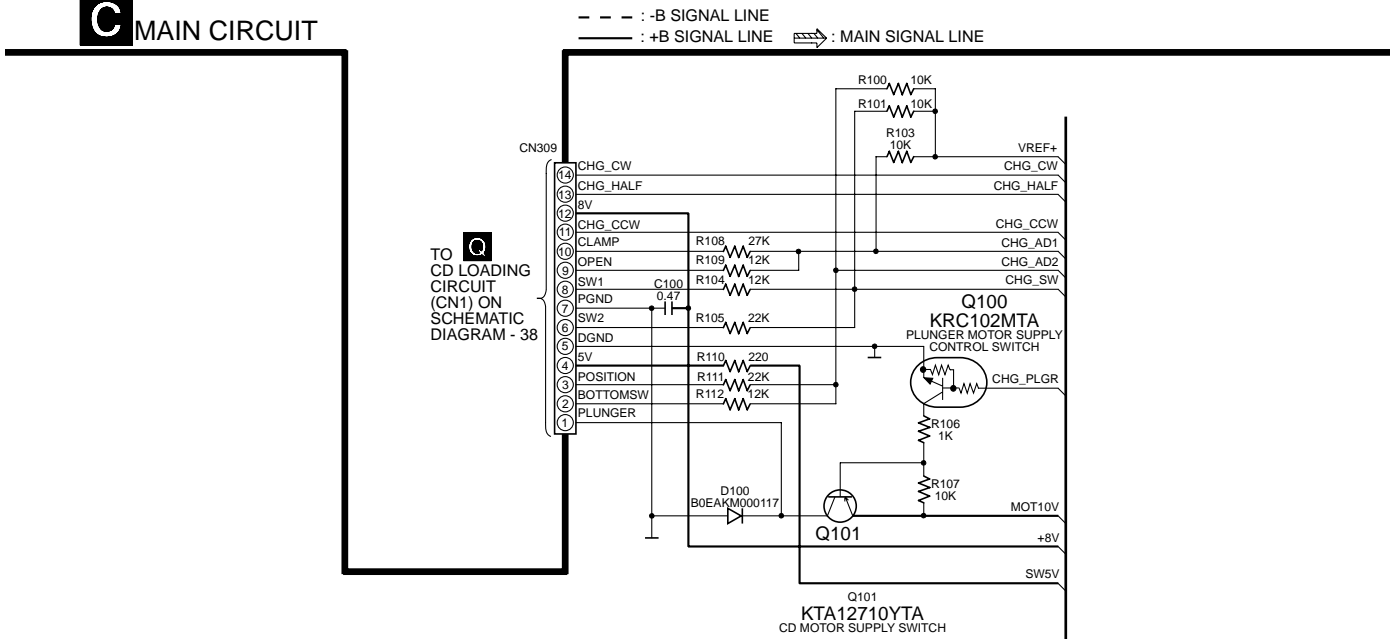
C MAIN CIRCUIT

--- : -B SIGNAL LINE
— : +B SIGNAL LINE ⇨ : MAIN SIGNAL LINE



SCHEMATIC DIAGRAM - 23

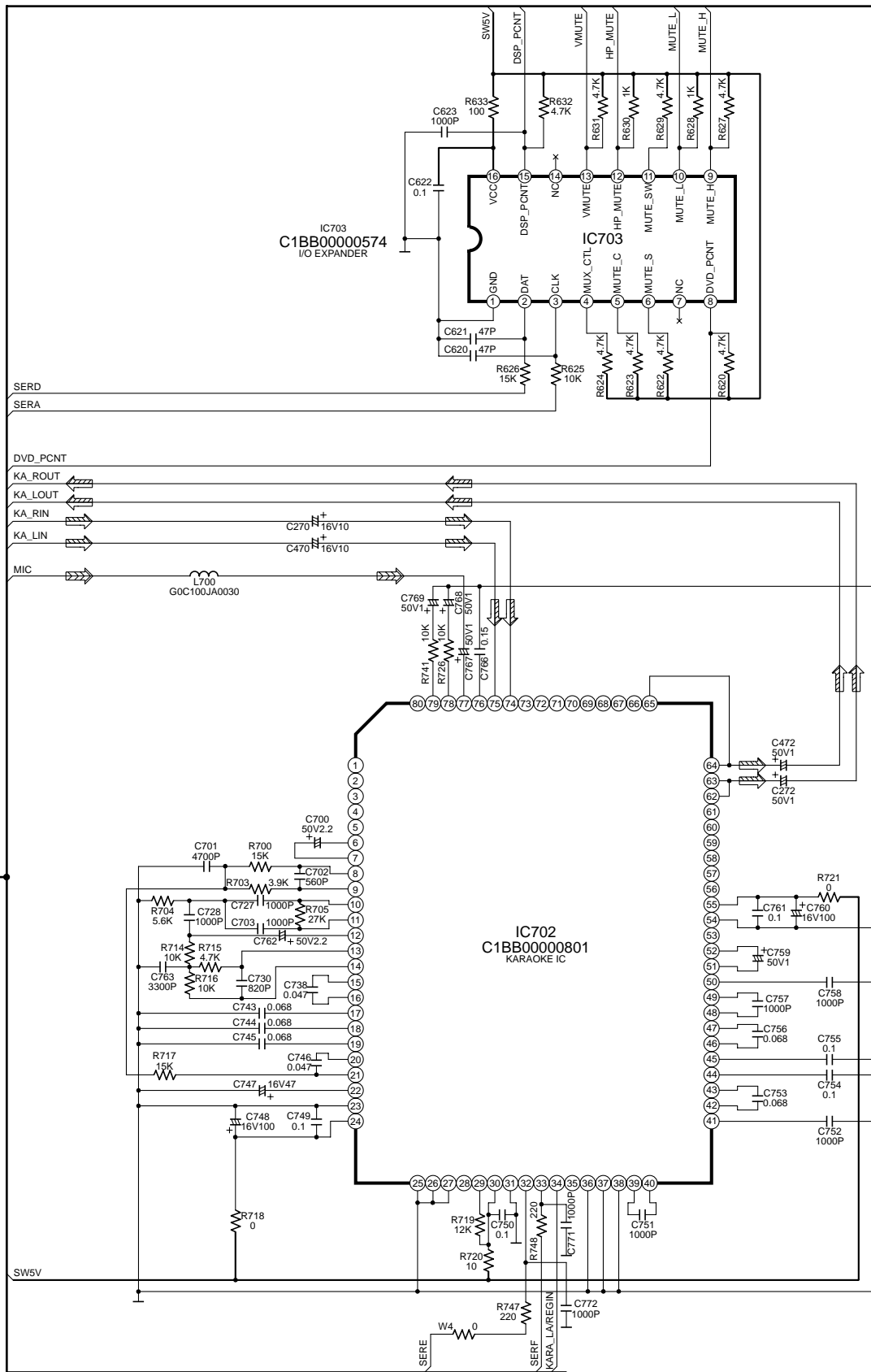
C MAIN CIRCUIT



SCHEMATIC DIAGRAM - 24

C MAIN CIRCUIT

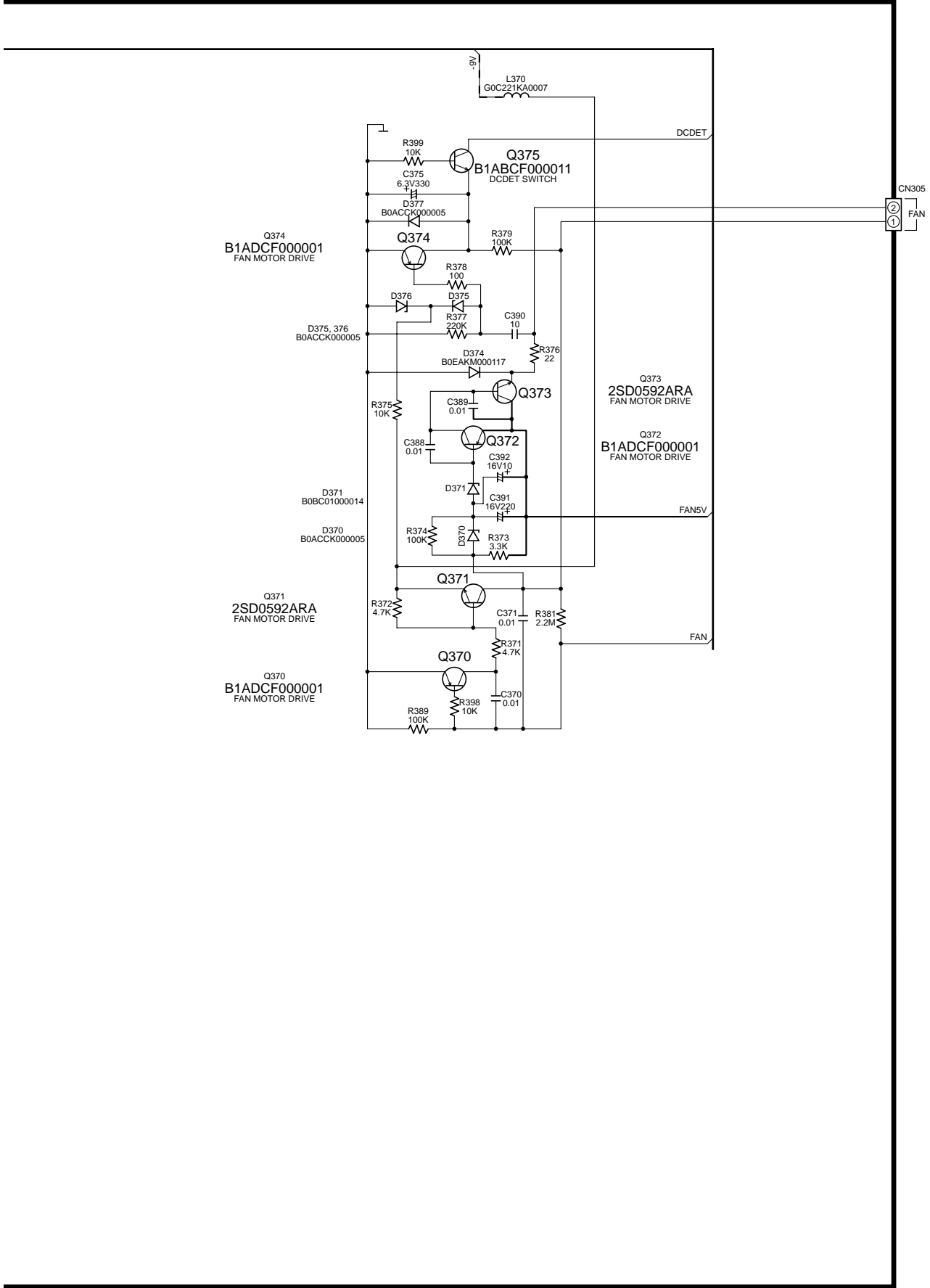
— : +B SIGNAL LINE
⏏ : MIC SIGNAL LINE
⏏ : MAIN SIGNAL LINE



SCHEMATIC DIAGRAM - 25

C MAIN CIRCUIT

- - - : -B SIGNAL LINE
— : +B SIGNAL LINE

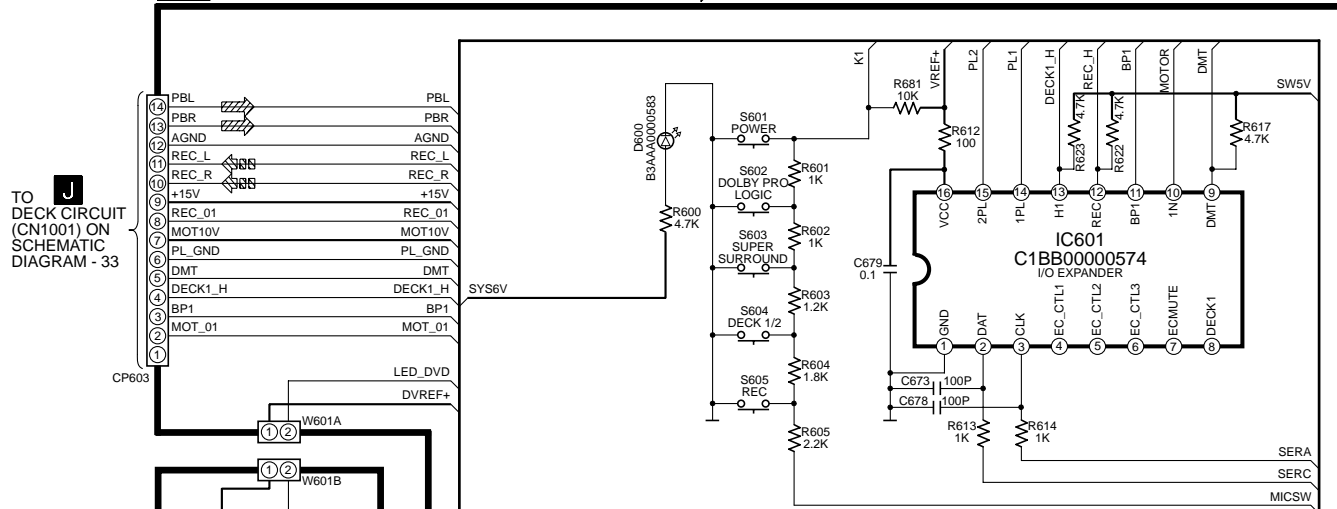


20.4. (E) Panel Circuit, (F) LED Circuit & (G) Tact Switch Circuit

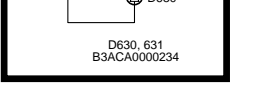
SCHMATIC DIAGRAM - 26

E PANEL CIRCUIT

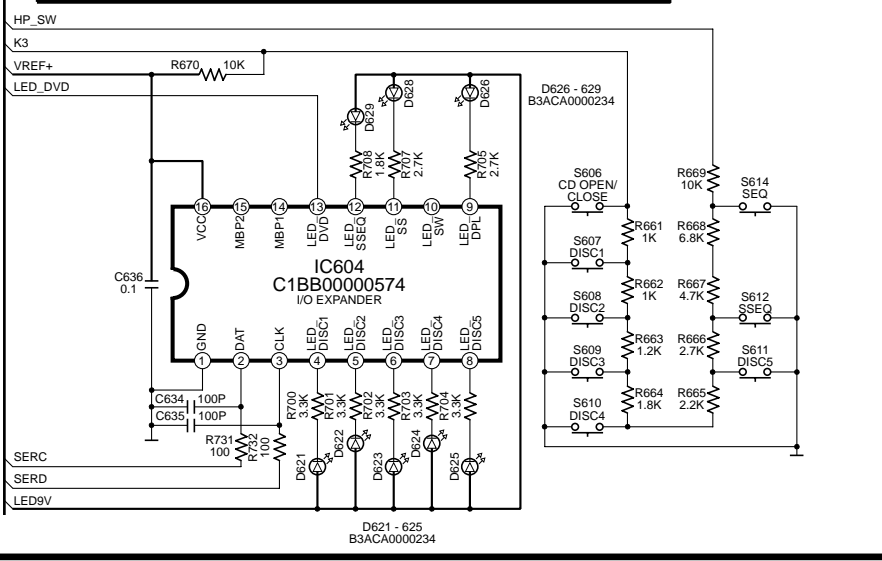
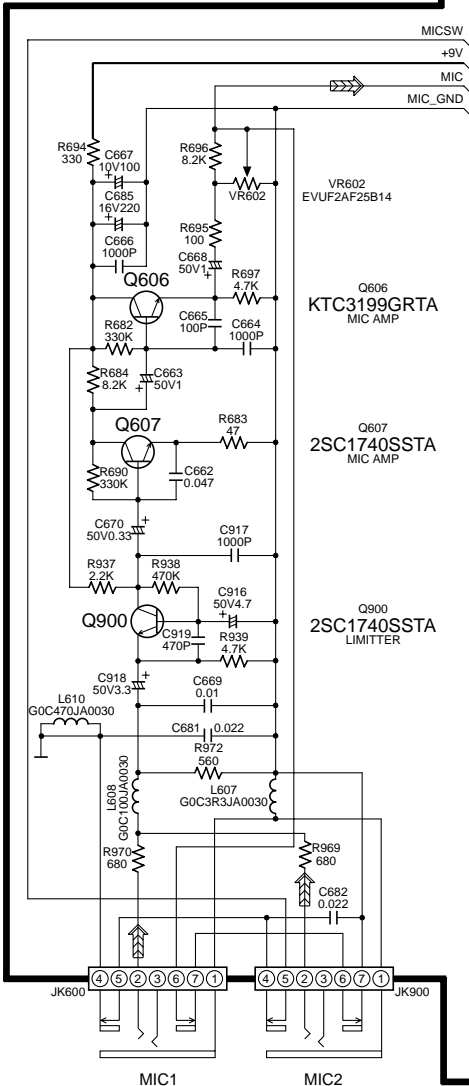
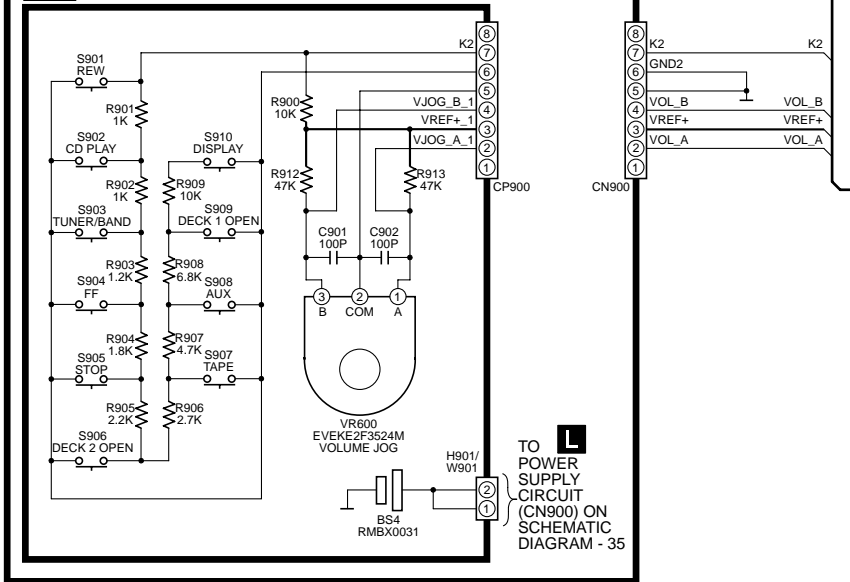
 : MIC SIGNAL LINE
 : PLAYBACK SIGNAL LINE
 : +B SIGNAL LINE
 : RECORD SIGNAL LINE



F LED CIRCUIT

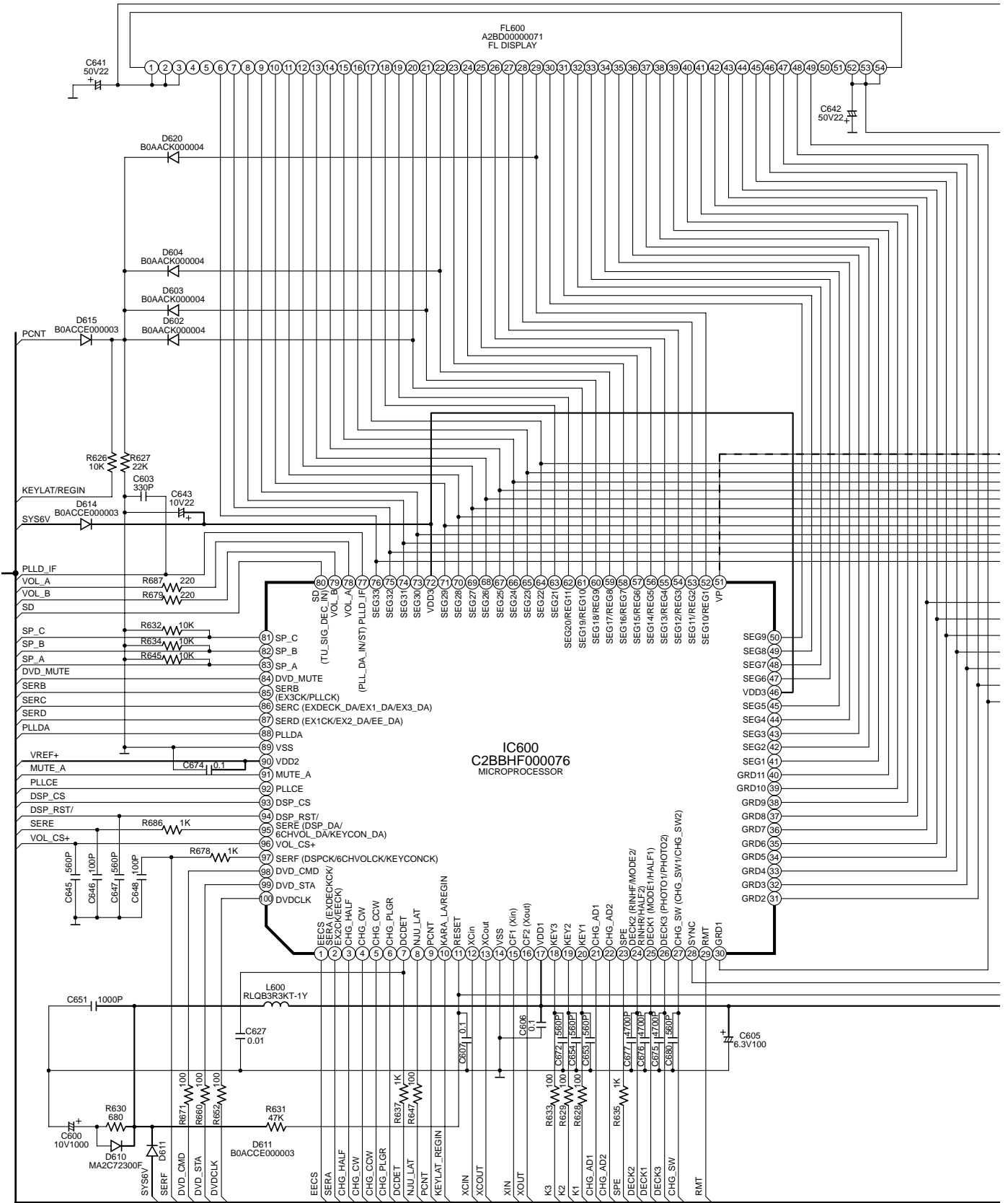


G TACT SWITCH CIRCUIT




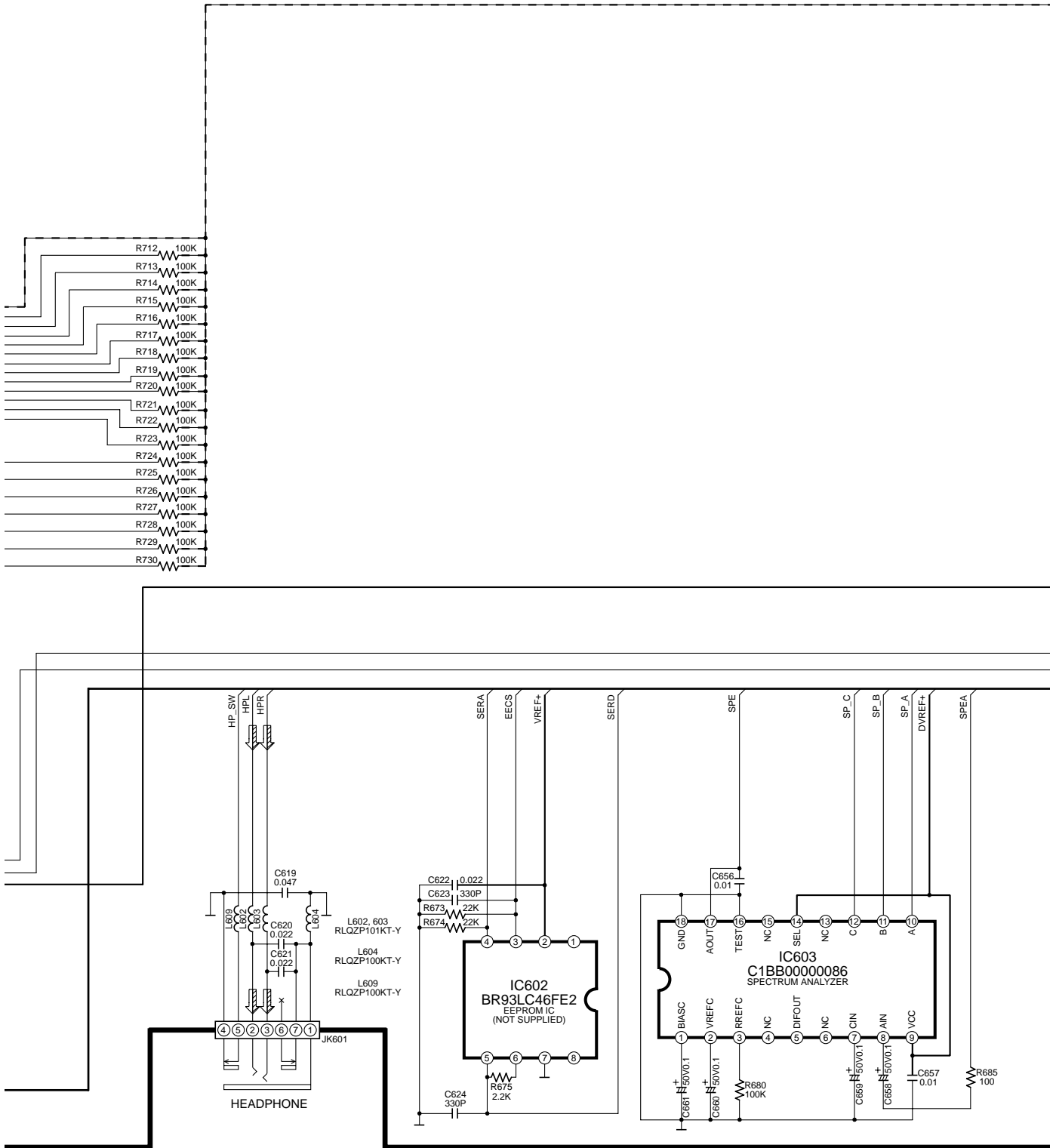
SCHEMATIC DIAGRAM - 27

E PANEL CIRCUIT
 --- : -B SIGNAL LINE
 - - - : +B SIGNAL LINE



SCHEMATIC DIAGRAM - 28

E PANEL CIRCUIT
 - - - : -B SIGNAL LINE
 ——— : +B SIGNAL LINE
 : MAIN SIGNAL LINE

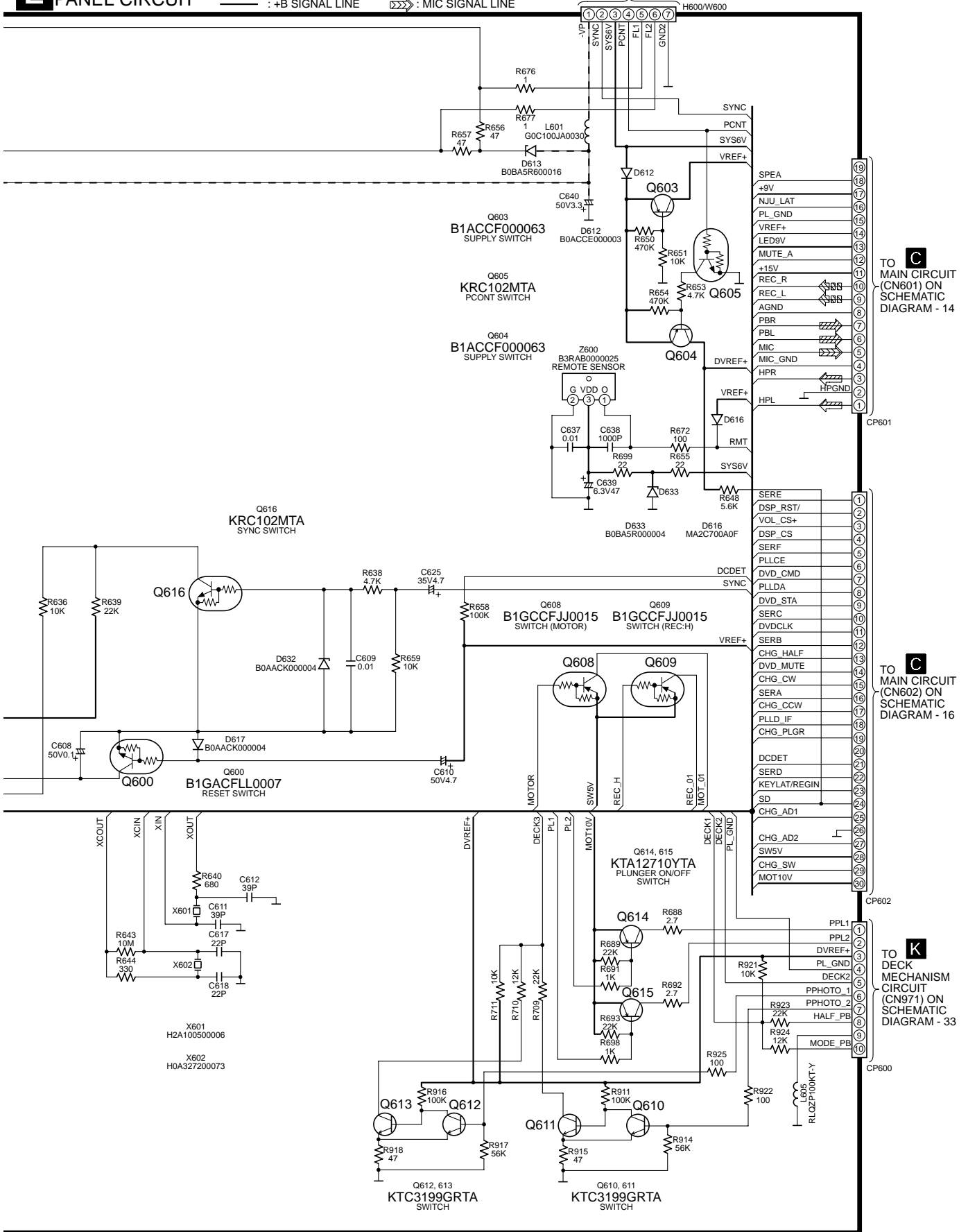


SCHEMATIC DIAGRAM - 29

E PANEL CIRCUIT

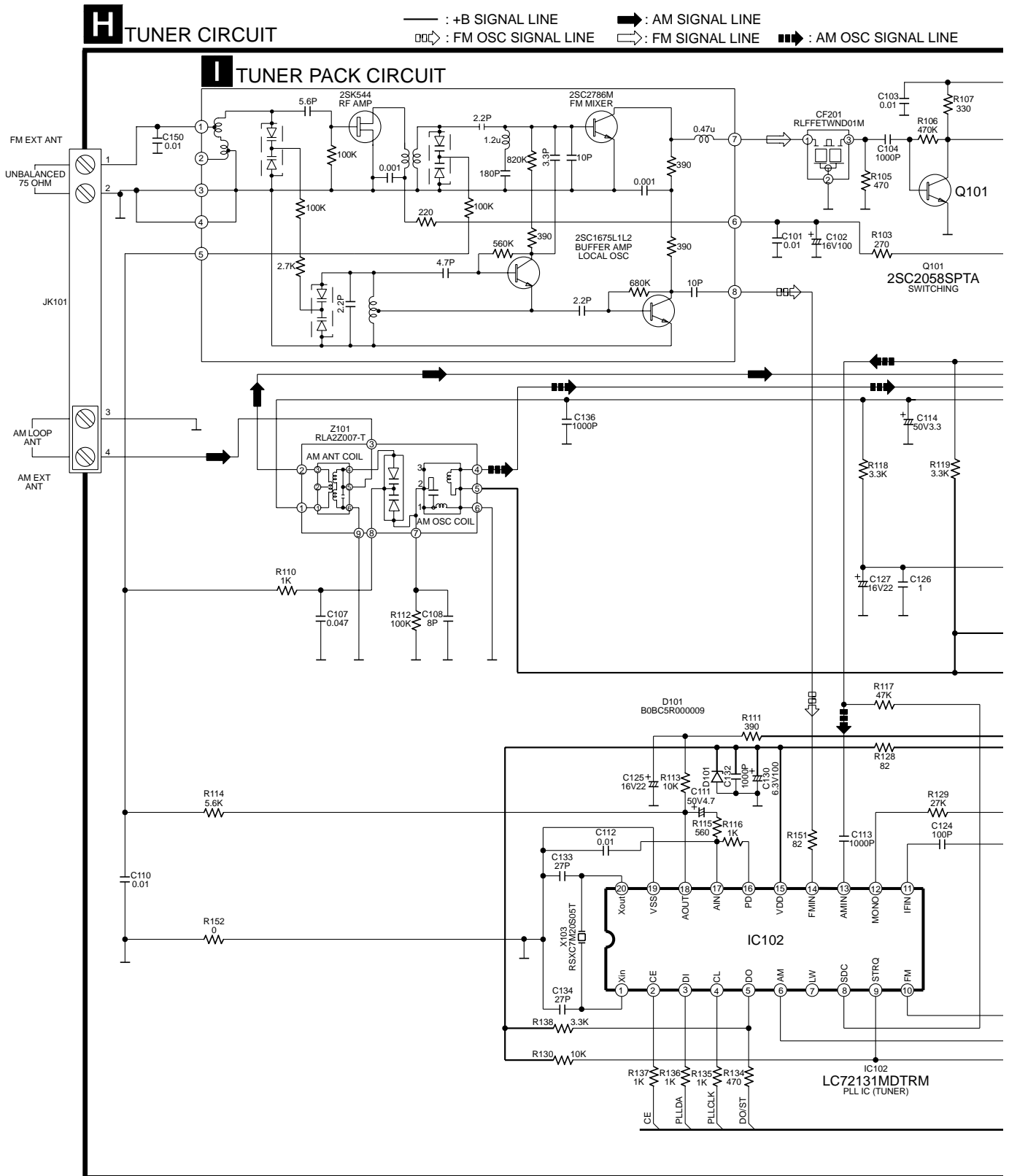
- : MAIN SIGNAL LINE
- : -B SIGNAL LINE
- : +B SIGNAL LINE
- : PLAYBACK SIGNAL LINE
- : RECORD SIGNAL LINE
- : MIC SIGNAL LINE

TO POWER CIRCUIT (CN954) ON SCHEMATIC DIAGRAM - 37



20.5. (H) Tuner Circuit

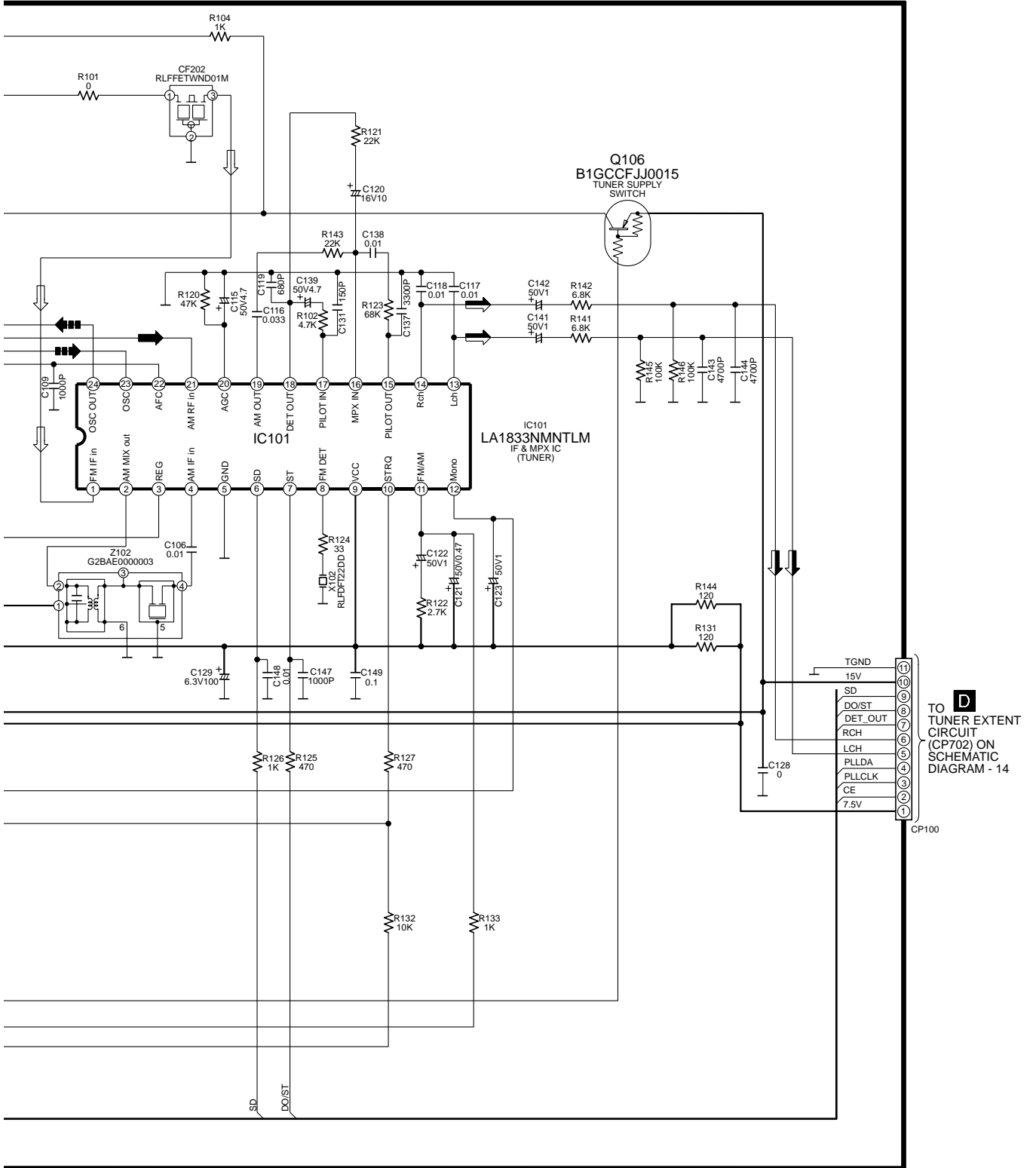
SCHEMATIC DIAGRAM - 30



SCHEMATIC DIAGRAM - 31

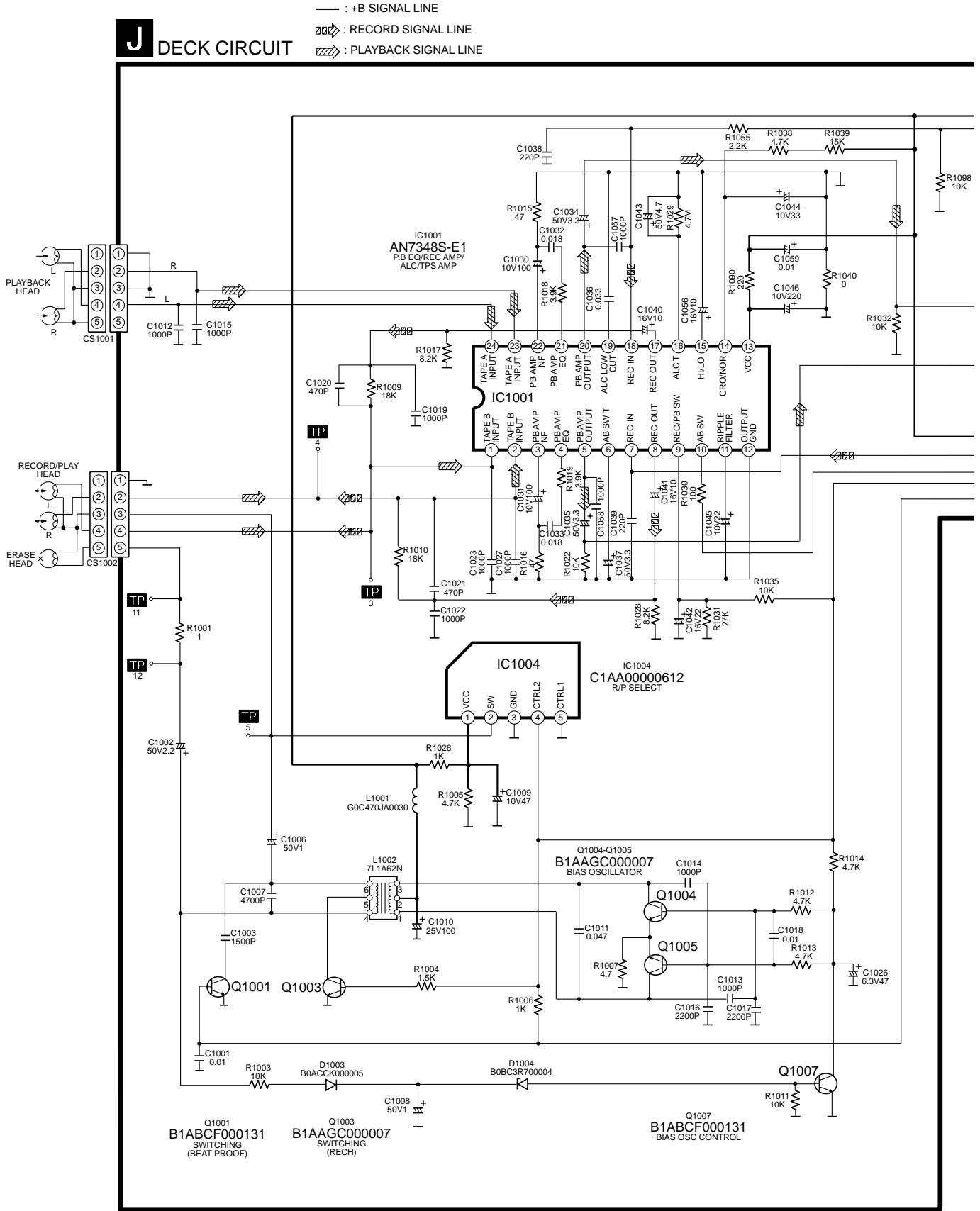
H TUNER CIRCUIT

— : +B SIGNAL LINE ➔ : AM SIGNAL LINE ➡ : AM OSC SIGNAL LINE
 — : +B SIGNAL LINE ⇨ : FM SIGNAL LINE ⇨ : FM/AM SIGNAL LINE



20.6. (J) Deck Circuit & (K) Deck Mechanism Circuit

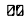
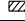
SCHMATIC DIAGRAM - 32



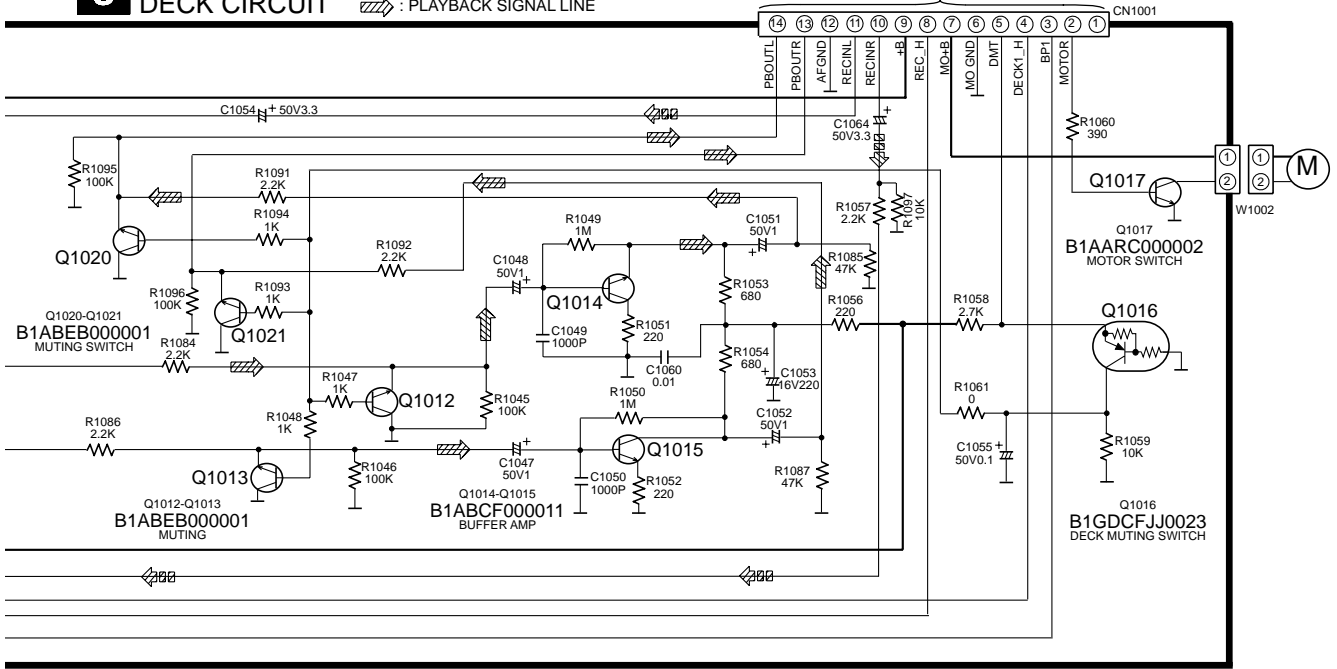
SCHEMATIC DIAGRAM - 33

J

DECK CIRCUIT

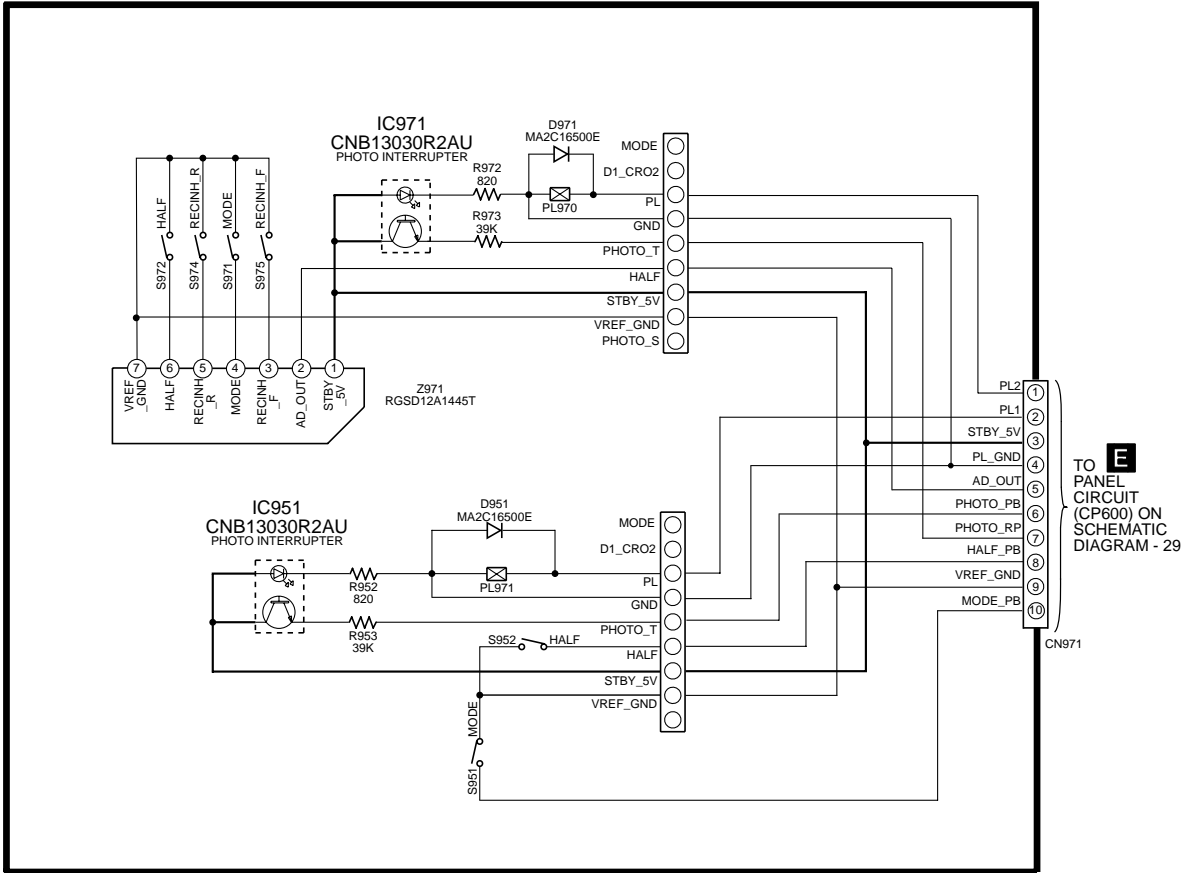
— : +B SIGNAL LINE
 : RECORD SIGNAL LINE
 : PLAYBACK SIGNAL LINE

E
 TO PANEL CIRCUIT
 (CP603) ON
 SCHEMATIC
 DIAGRAM - 26



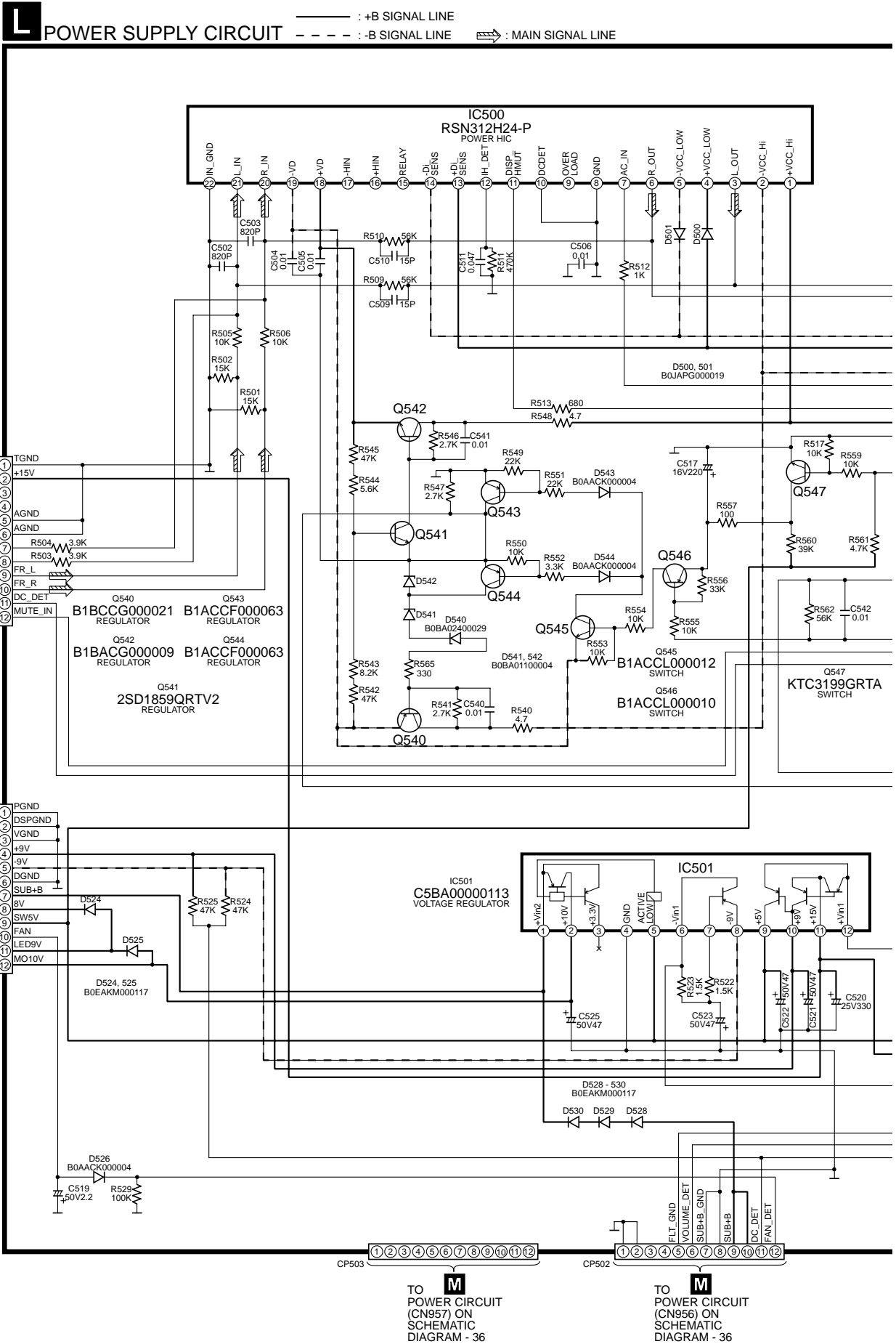
K

DECK MECHANISM CIRCUIT



20.7. (L) Power Supply Circuit

SCHEMATIC DIAGRAM - 34

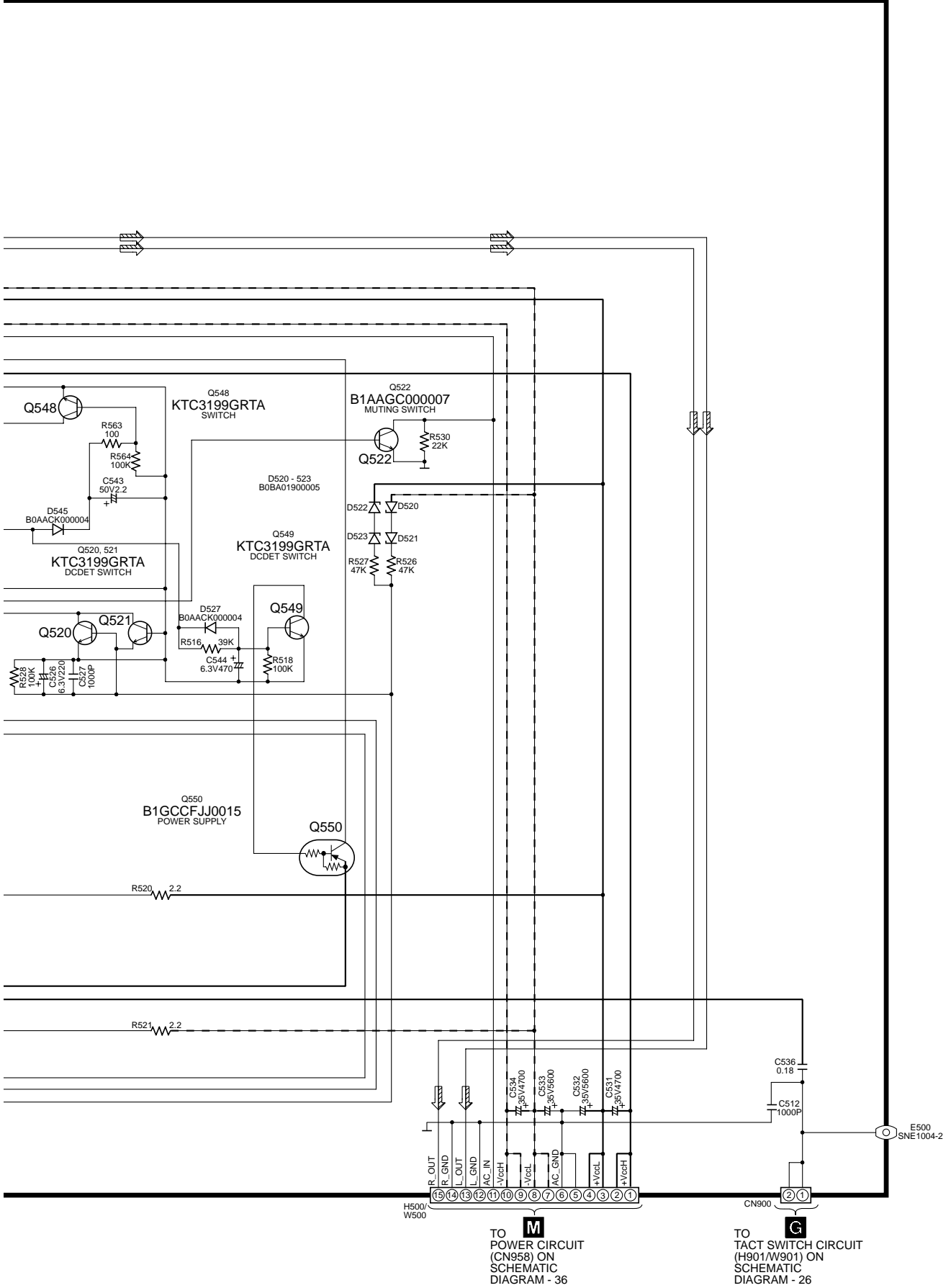


SCHEMATIC DIAGRAM - 35



POWER SUPPLY CIRCUIT

— : +B SIGNAL LINE
 - - - : -B SIGNAL LINE
 : MAIN SIGNAL LINE



20.8. (M) Power Circuit

SCHEMATIC DIAGRAM - 36

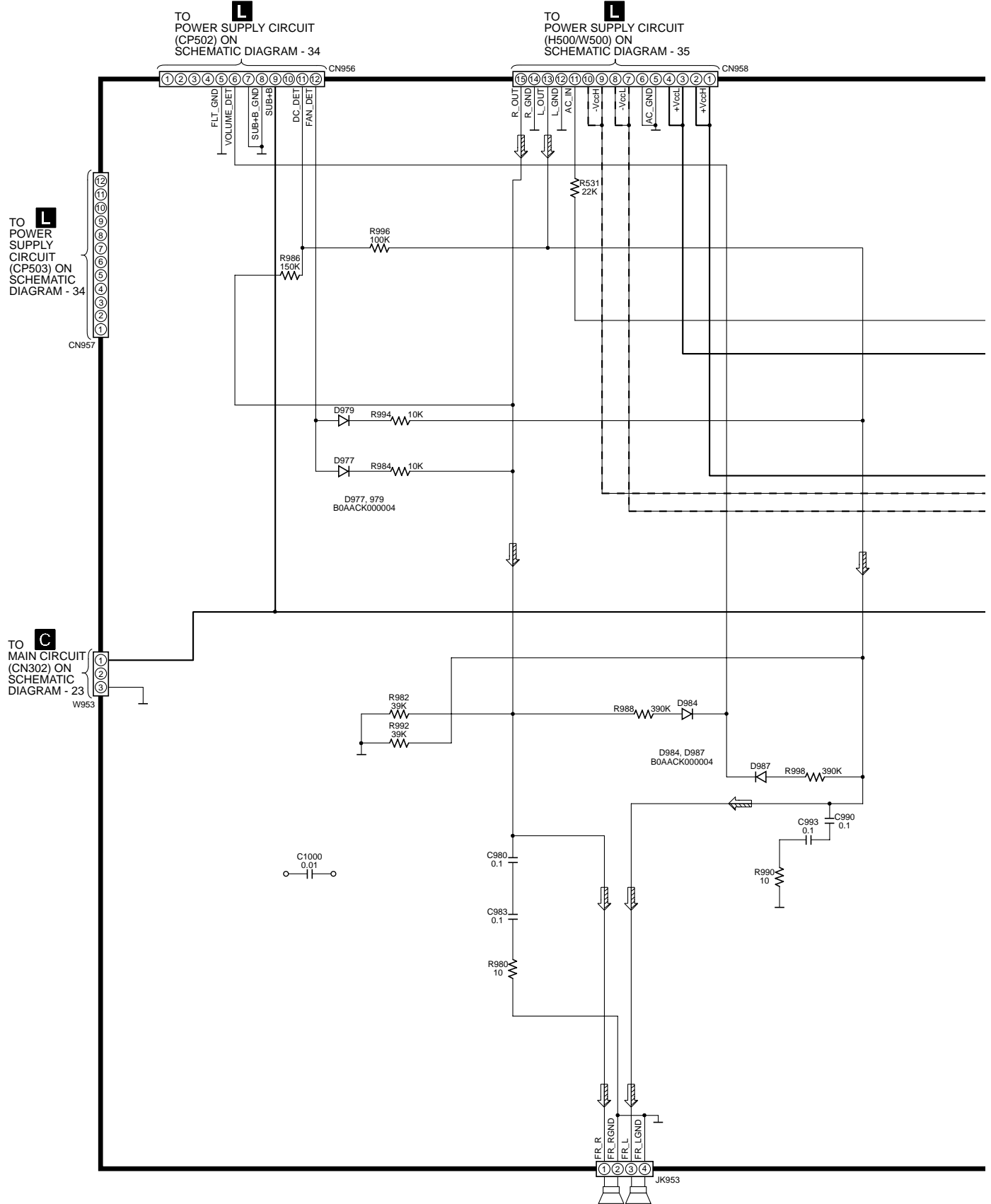
M

POWER CIRCUIT

— : +B SIGNAL LINE

- - - : -B SIGNAL LINE

⇨ : MAIN SIGNAL LINE

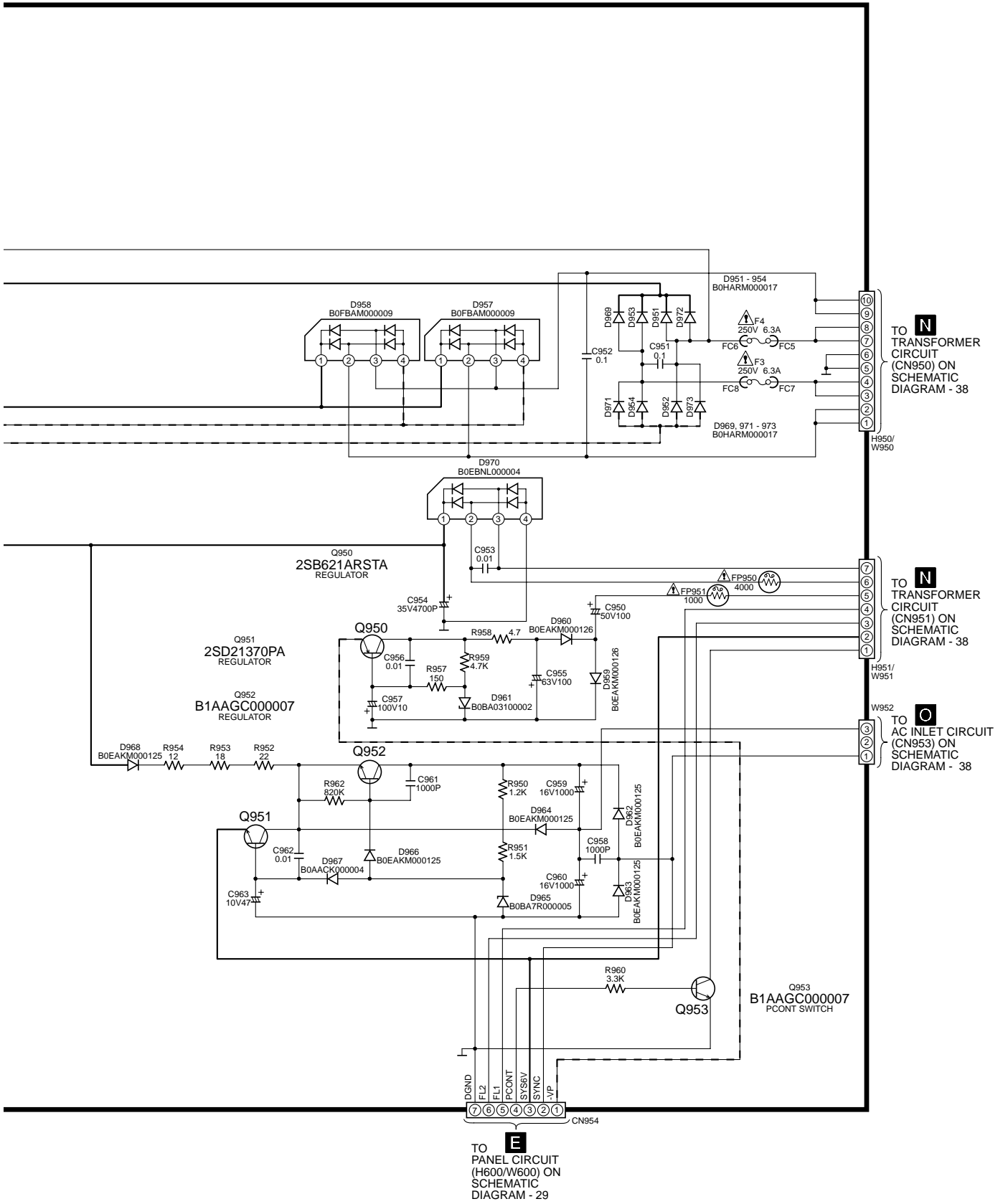


SCHEMATIC DIAGRAM - 37



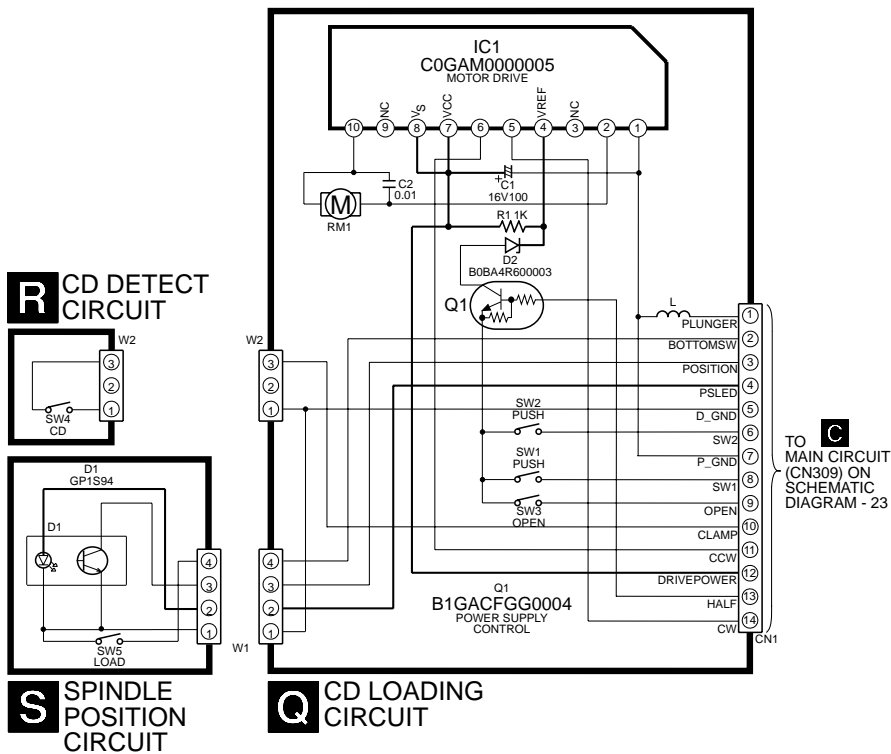
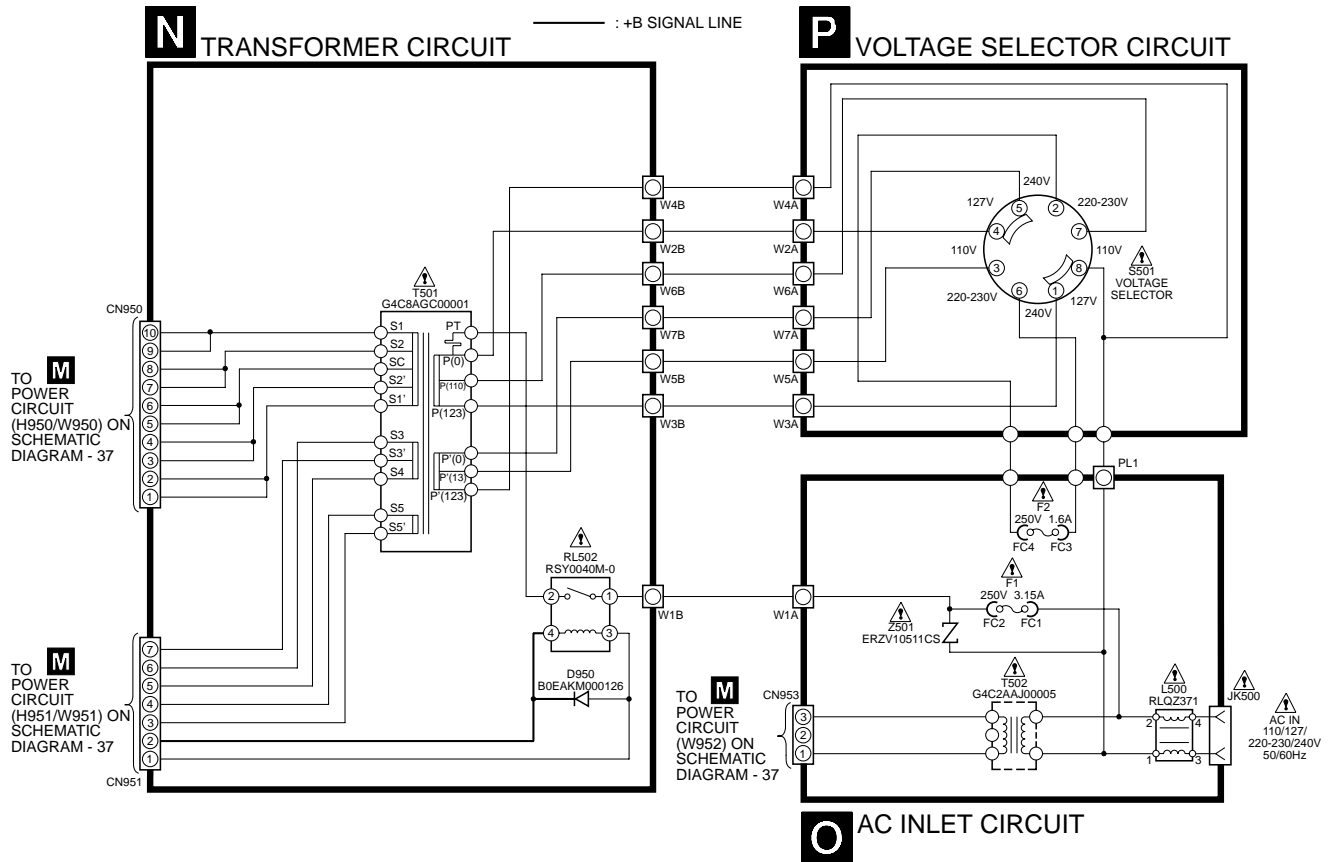
POWER CIRCUIT

— : +B SIGNAL LINE
 - - - : -B SIGNAL LINE



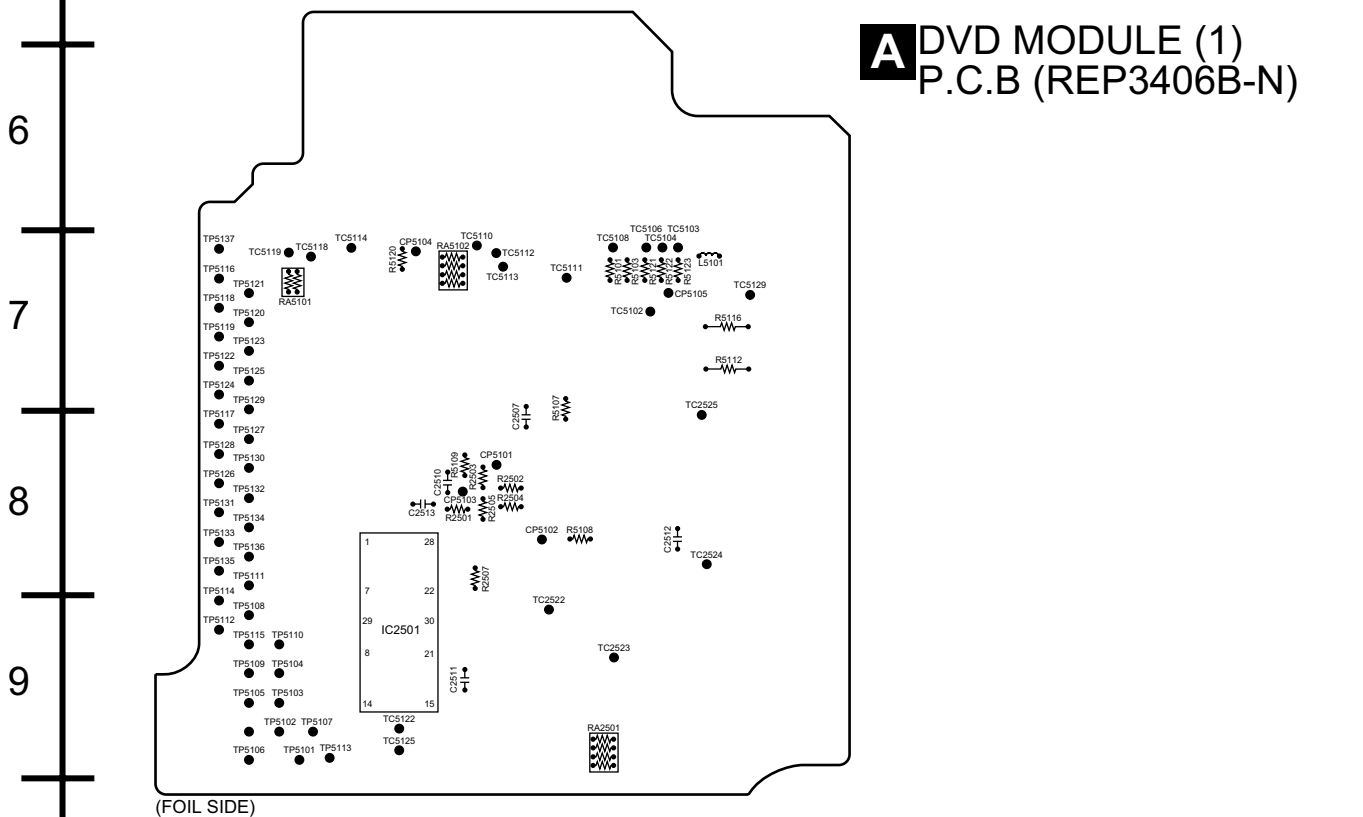
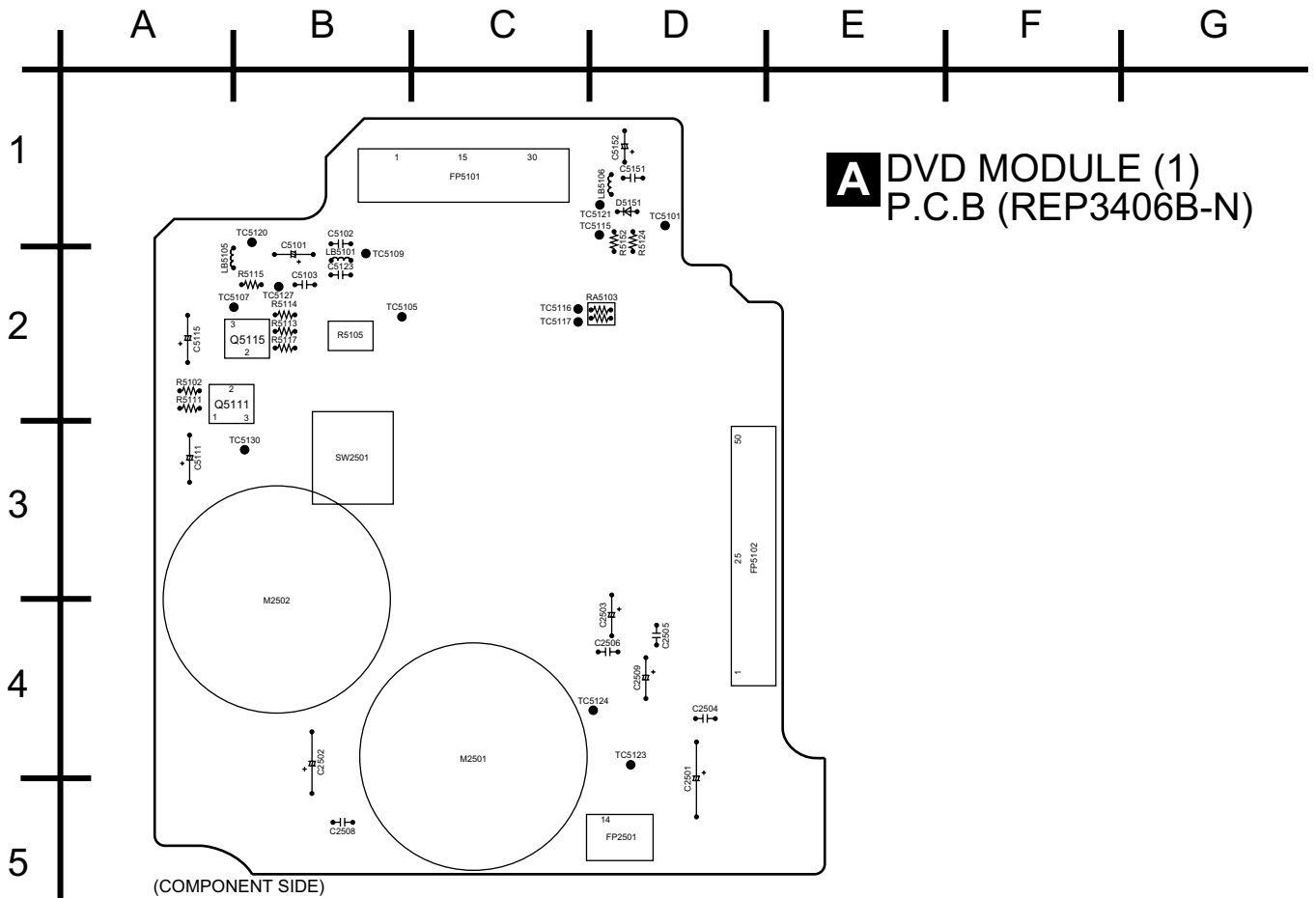
20.9. (N) Transformer Circuit, (O) AC Inlet Circuit, (P) Voltage Selector Circuit, (Q) CD Loading Circuit, (R) CD Detect Circuit & (S) Spindle Position Circuit

SCHMATIC DIAGRAM - 38

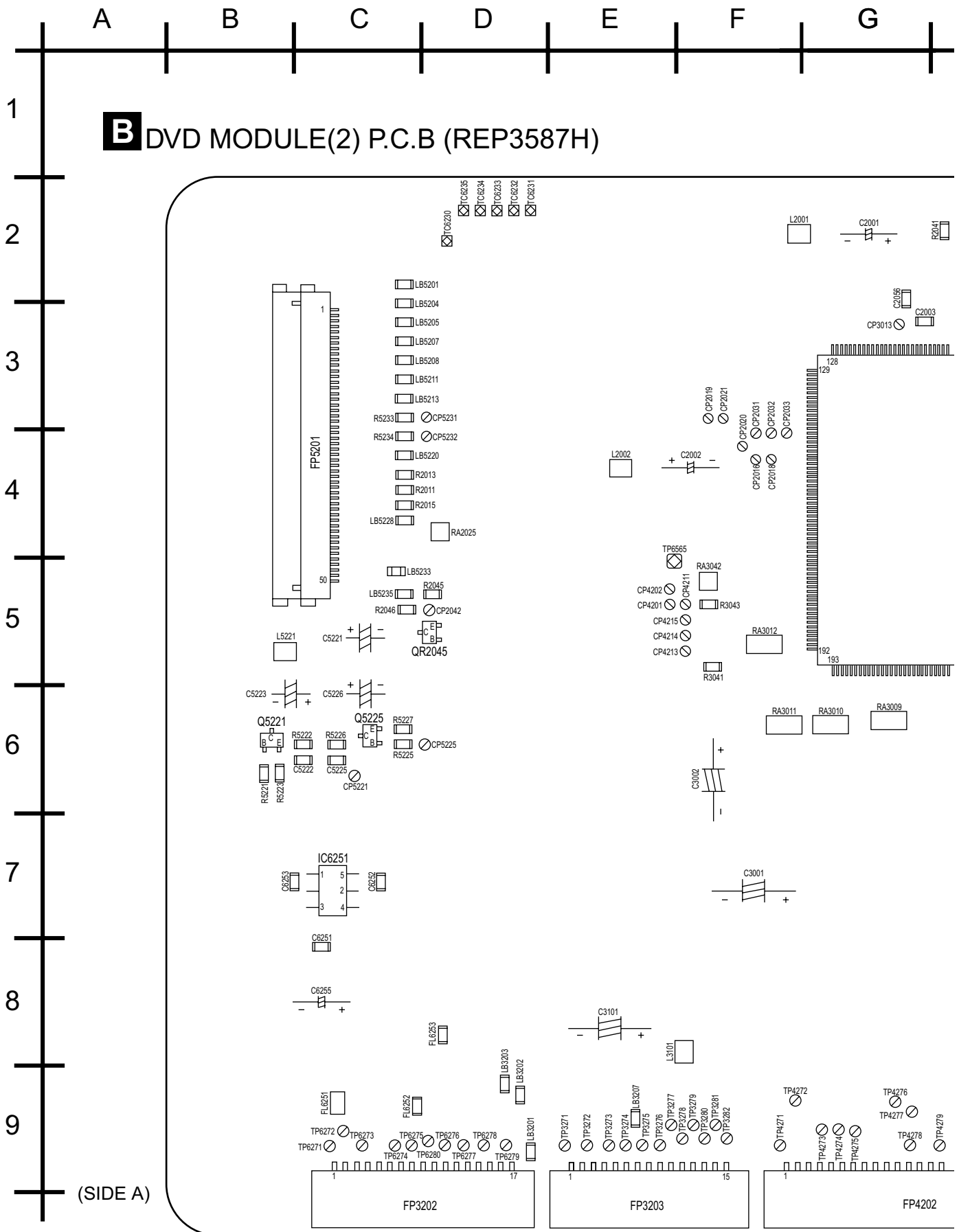


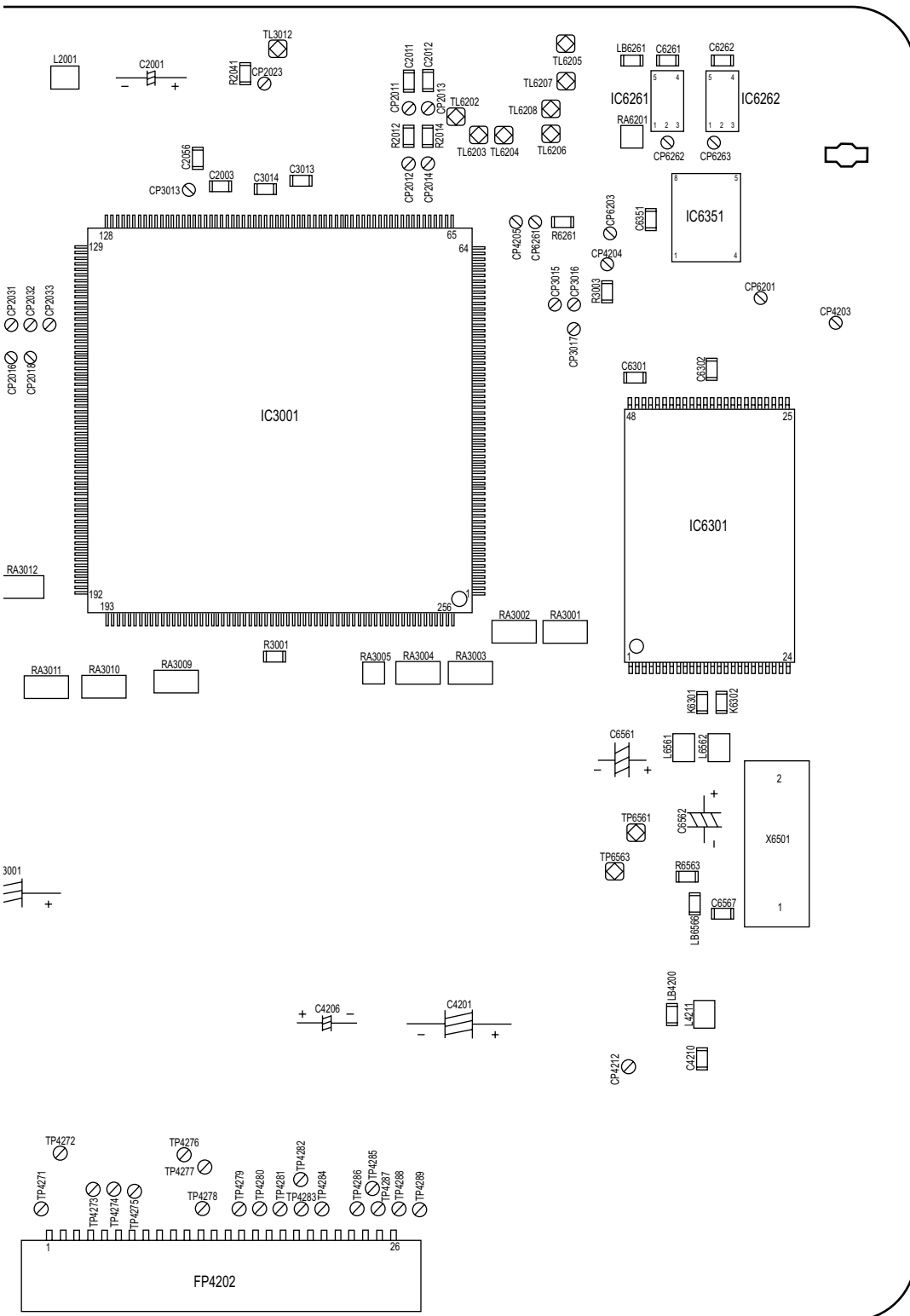
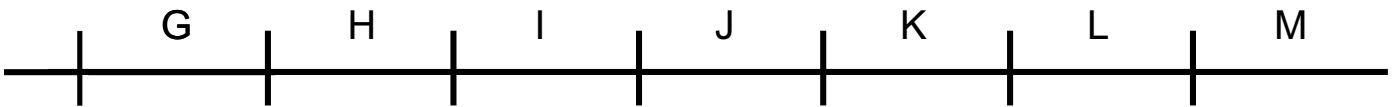
21 Printed Circuit Board

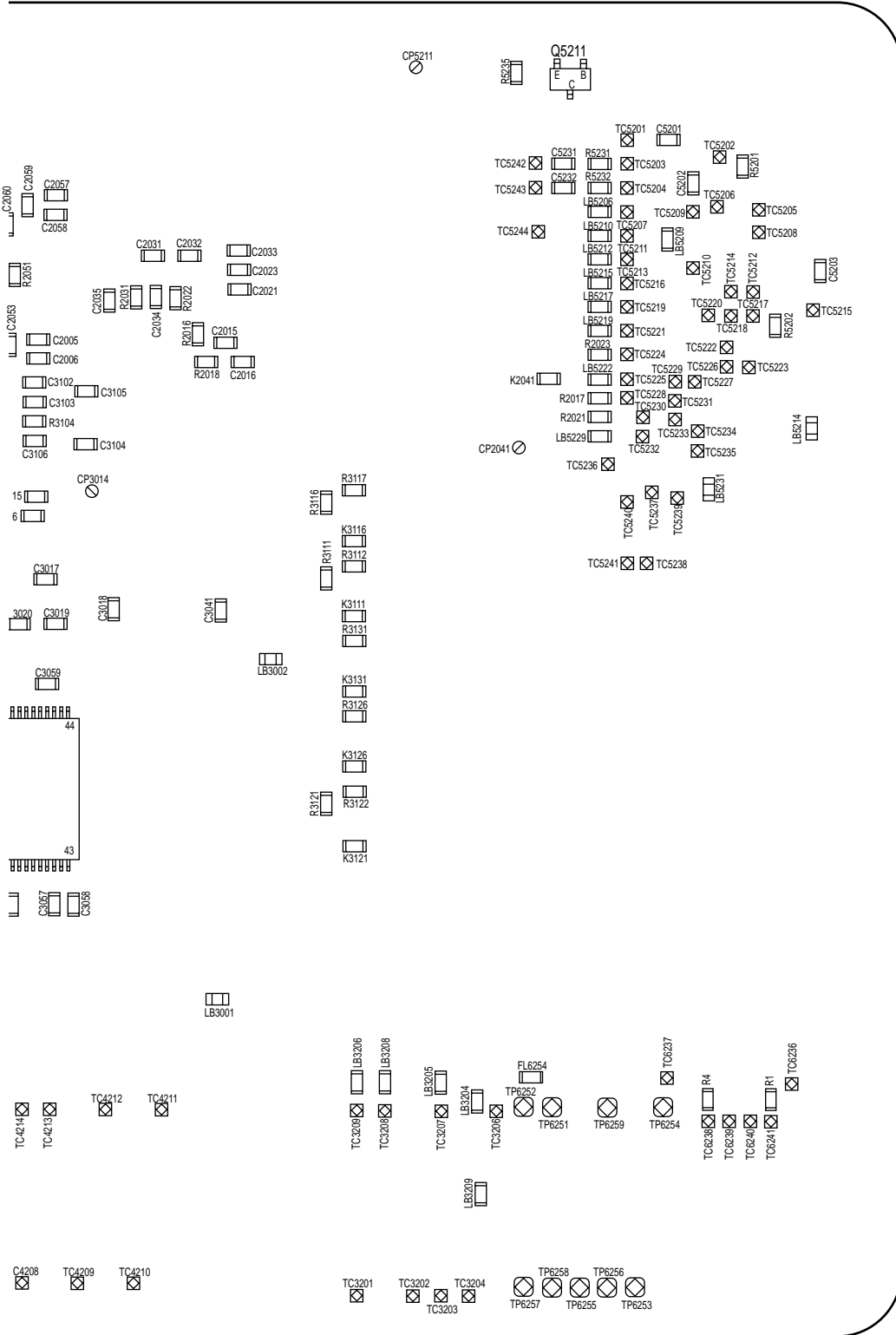
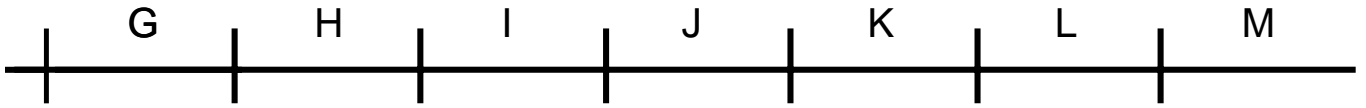
21.1. (A) DVD Module (1) P.C.B. (Component & Foil Side)



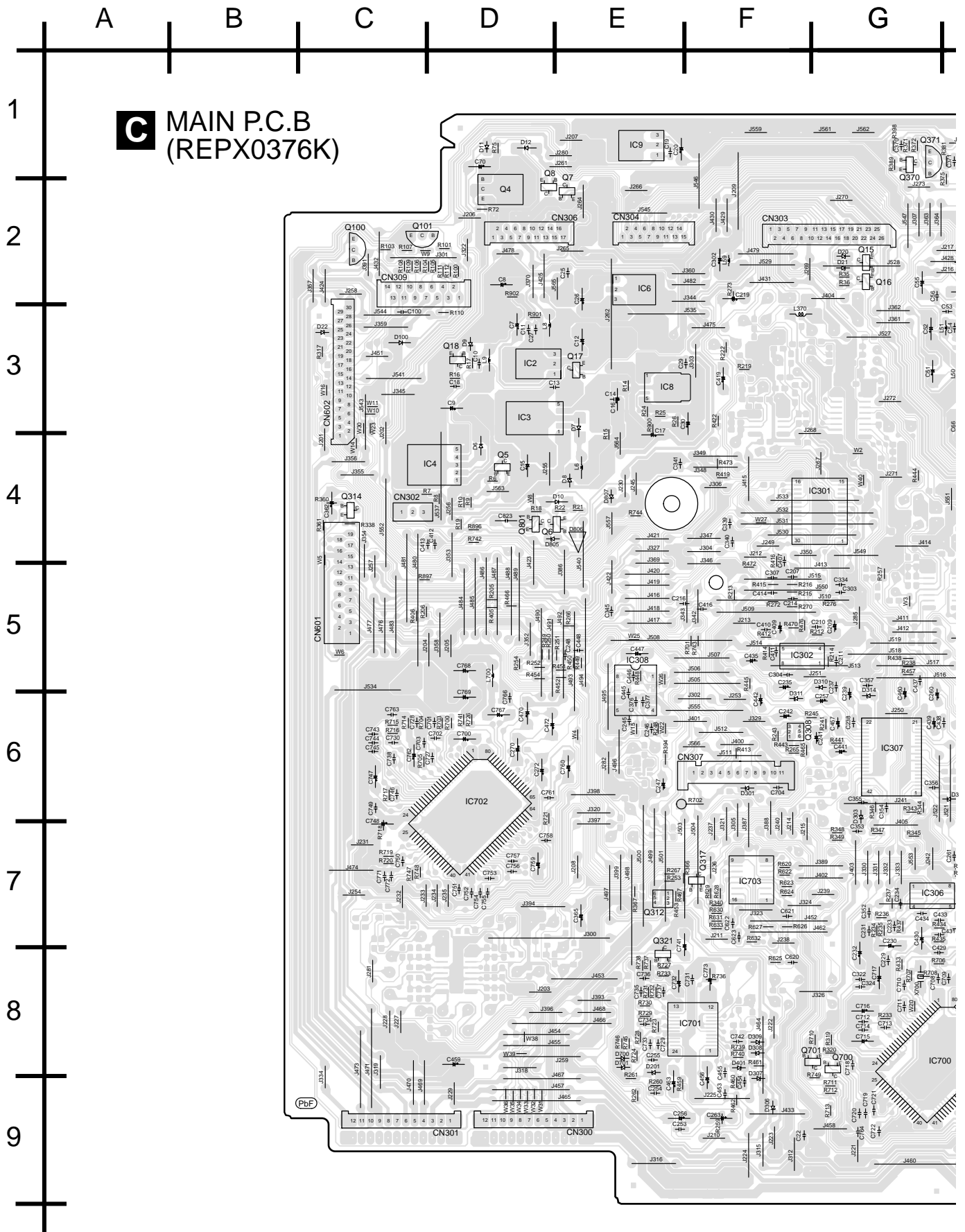
21.2. (B) DVD Module (2) P.C.B. (Side A & B)



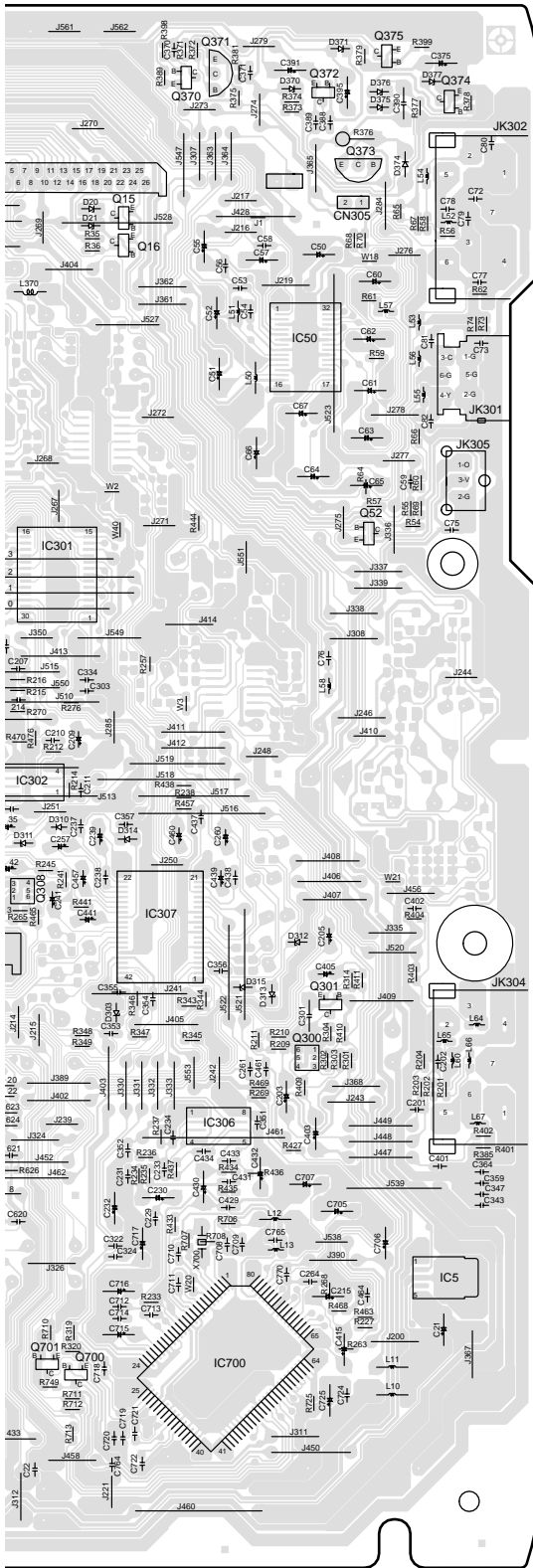




21.3. (C) Main P.C.B.



G H I J K L M



COMPONENT VIDEO

VIDEO OUT

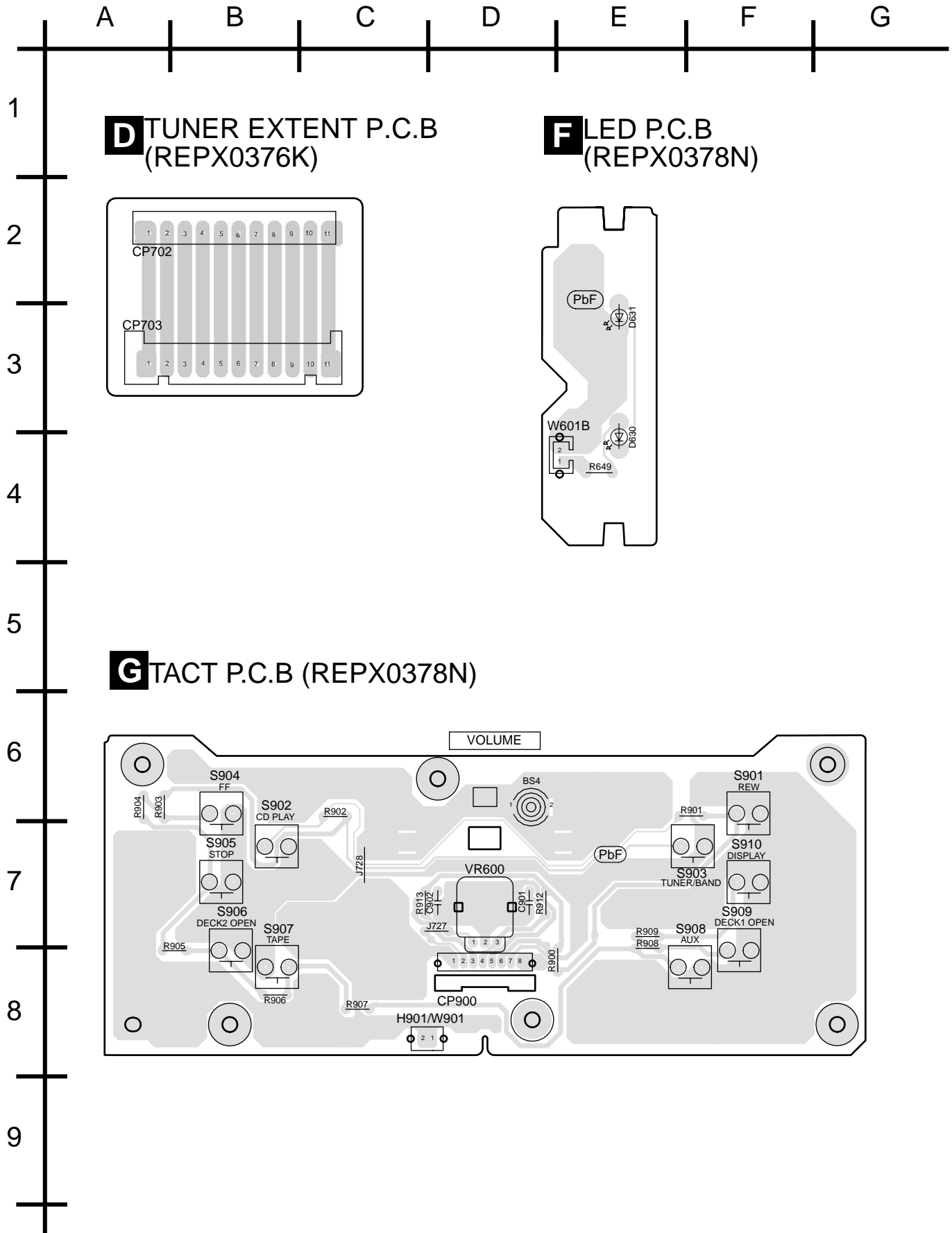
S-VIDEO

OPTICAL

AUX

LINE OUT

21.4. (D) Tuner Extent P.C.B., (F) LED P.C.B. & (G) Tact P.C.B.

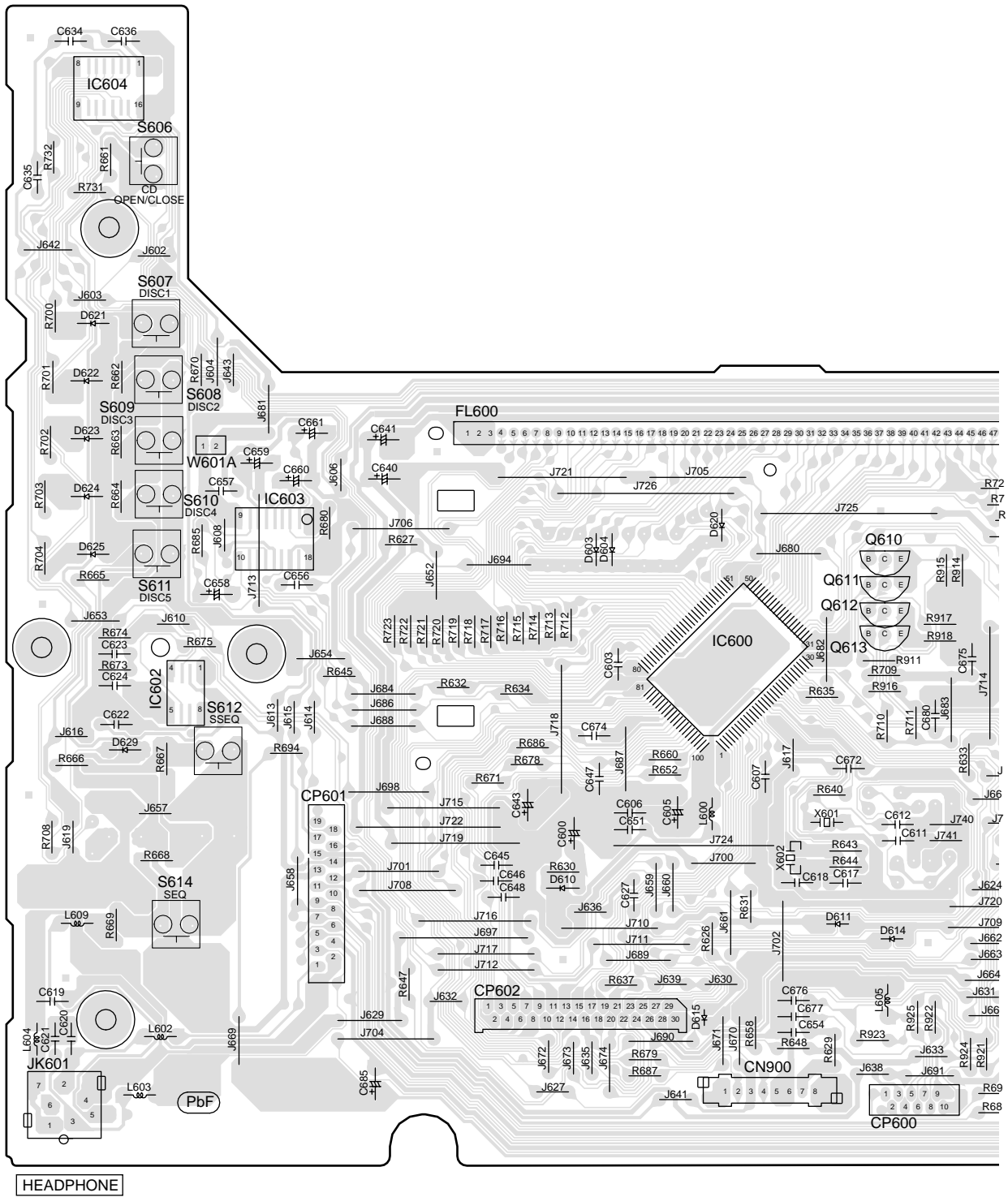


21.5. (E) Panel P.C.B.

A B C D E F G

1
2
3
4
5
6
7
8
9

E PANEL P.C.B (REPX0378N)



G

H

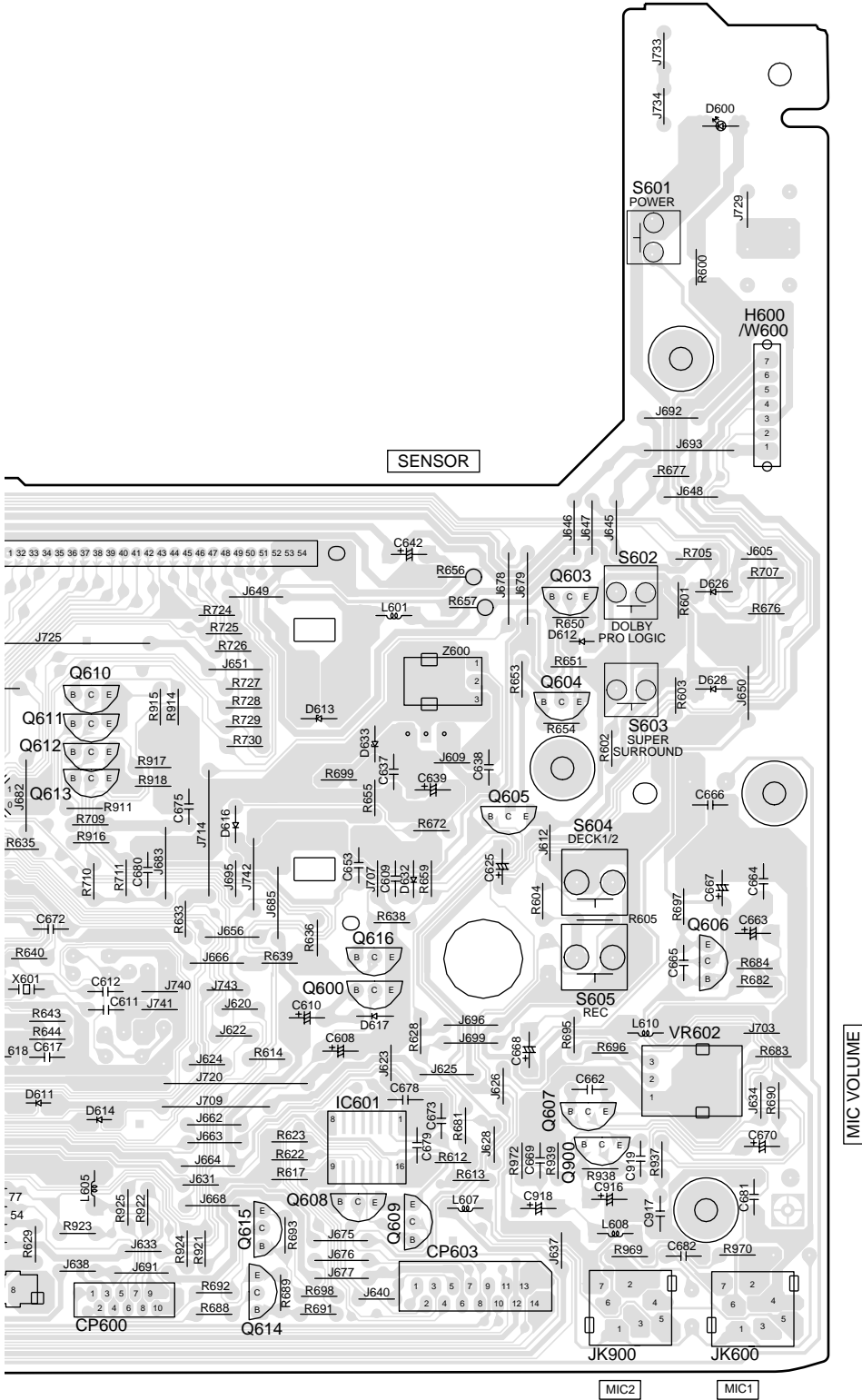
I

J

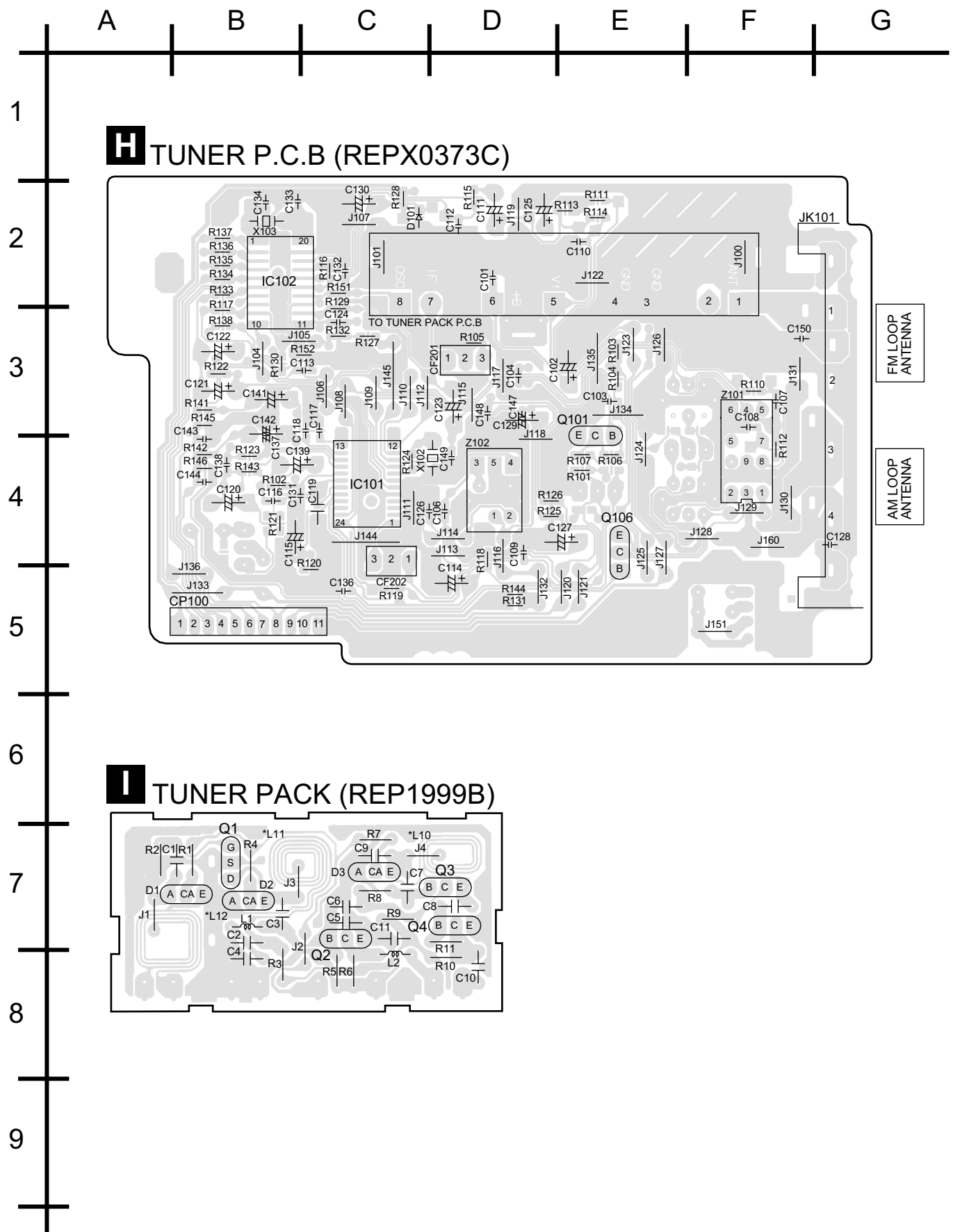
K

L

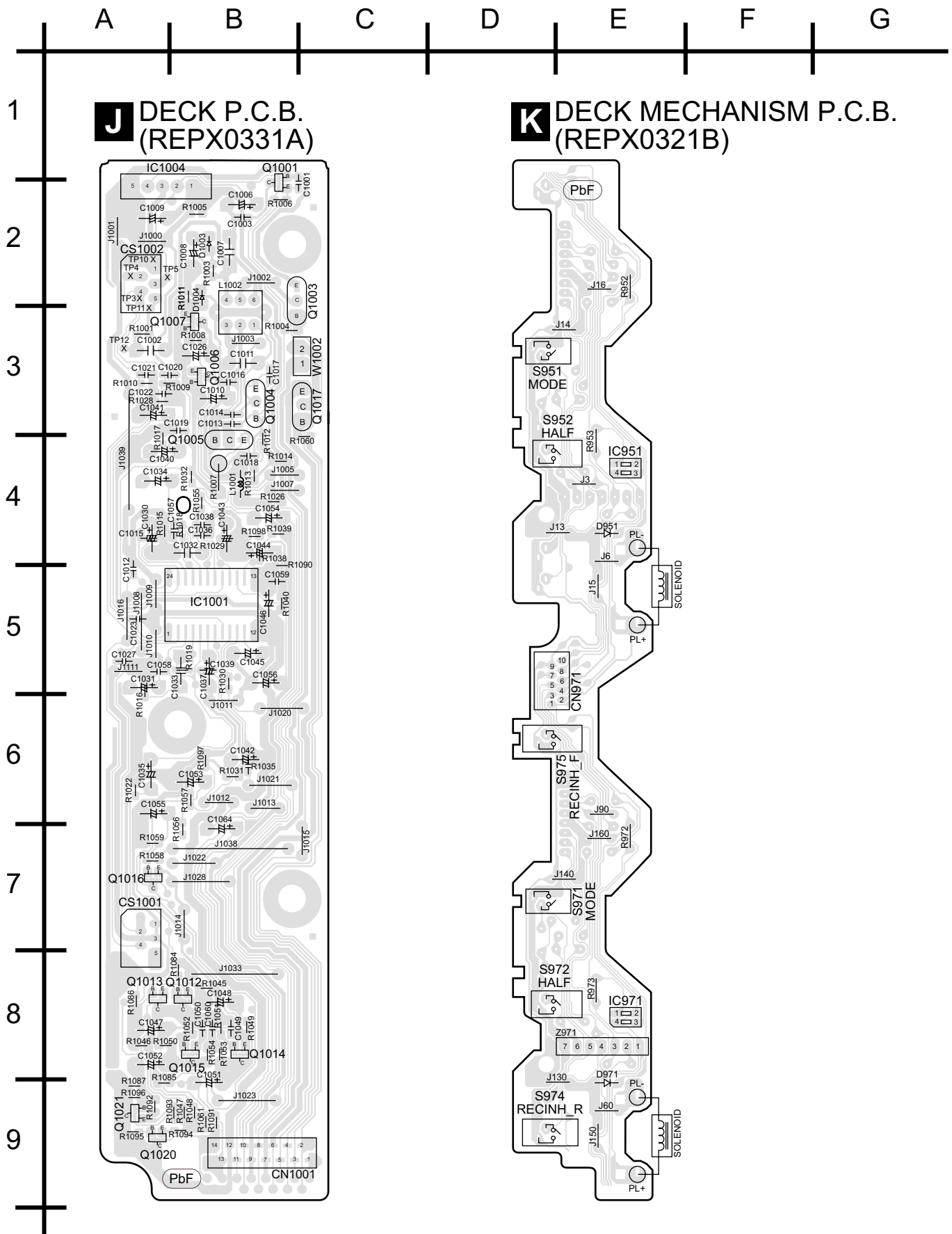
M



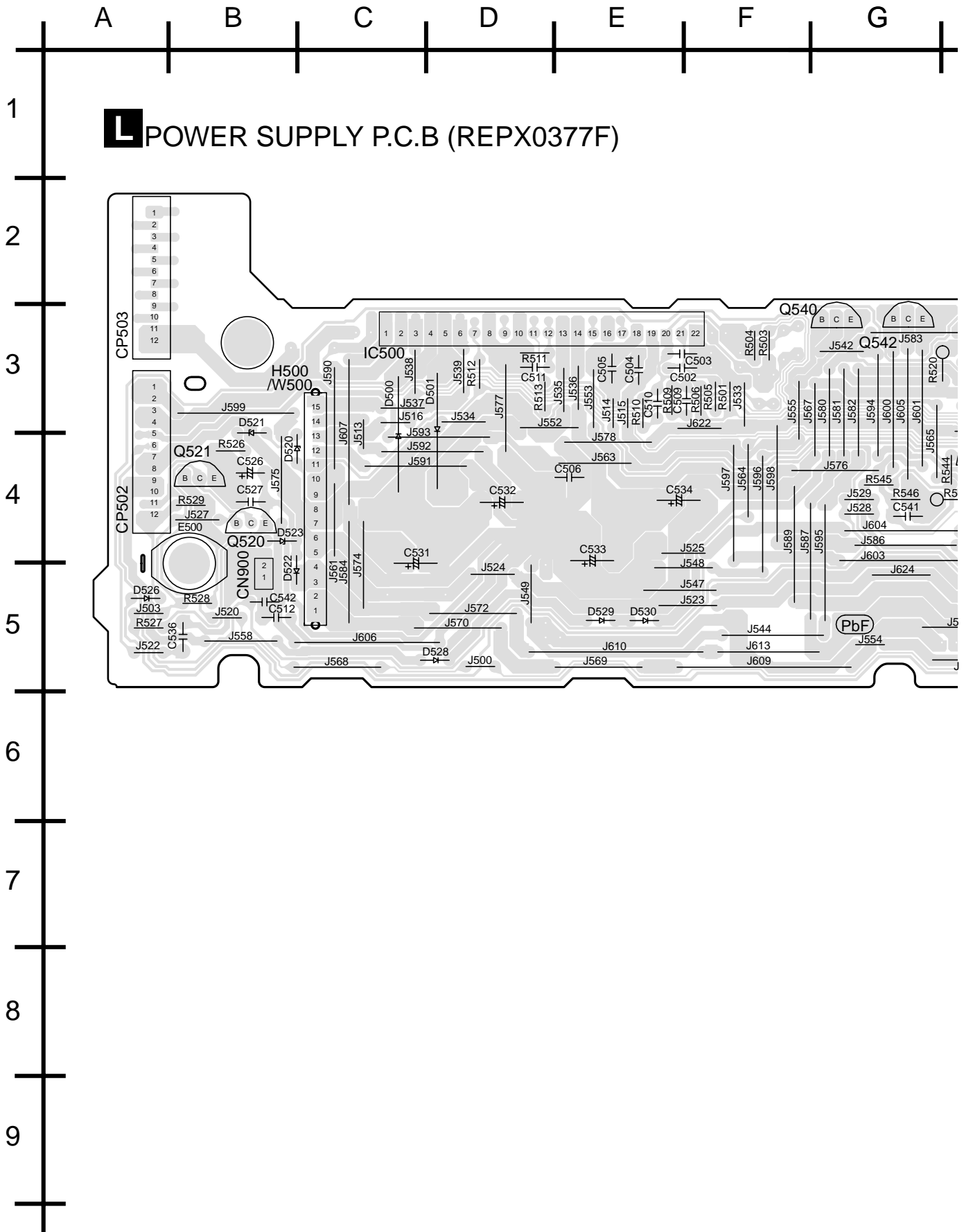
21.6. (H) Tuner P.C.B. & (I) Tuner Pack P.C.B.

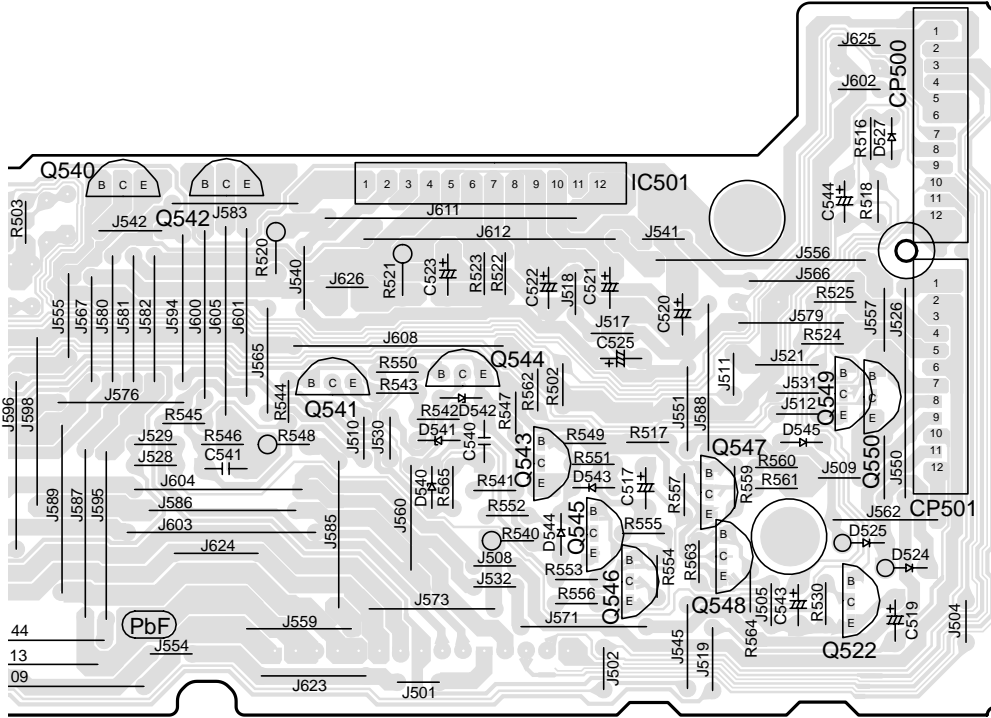
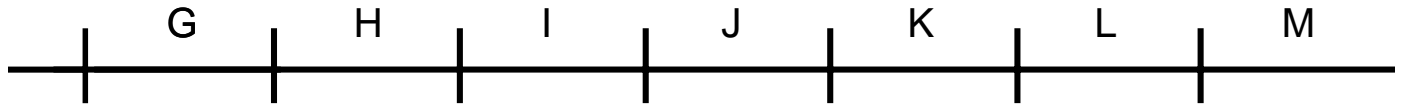


21.7. (J) Deck P.C.B. & (K) Deck Mechanism P.C.B.

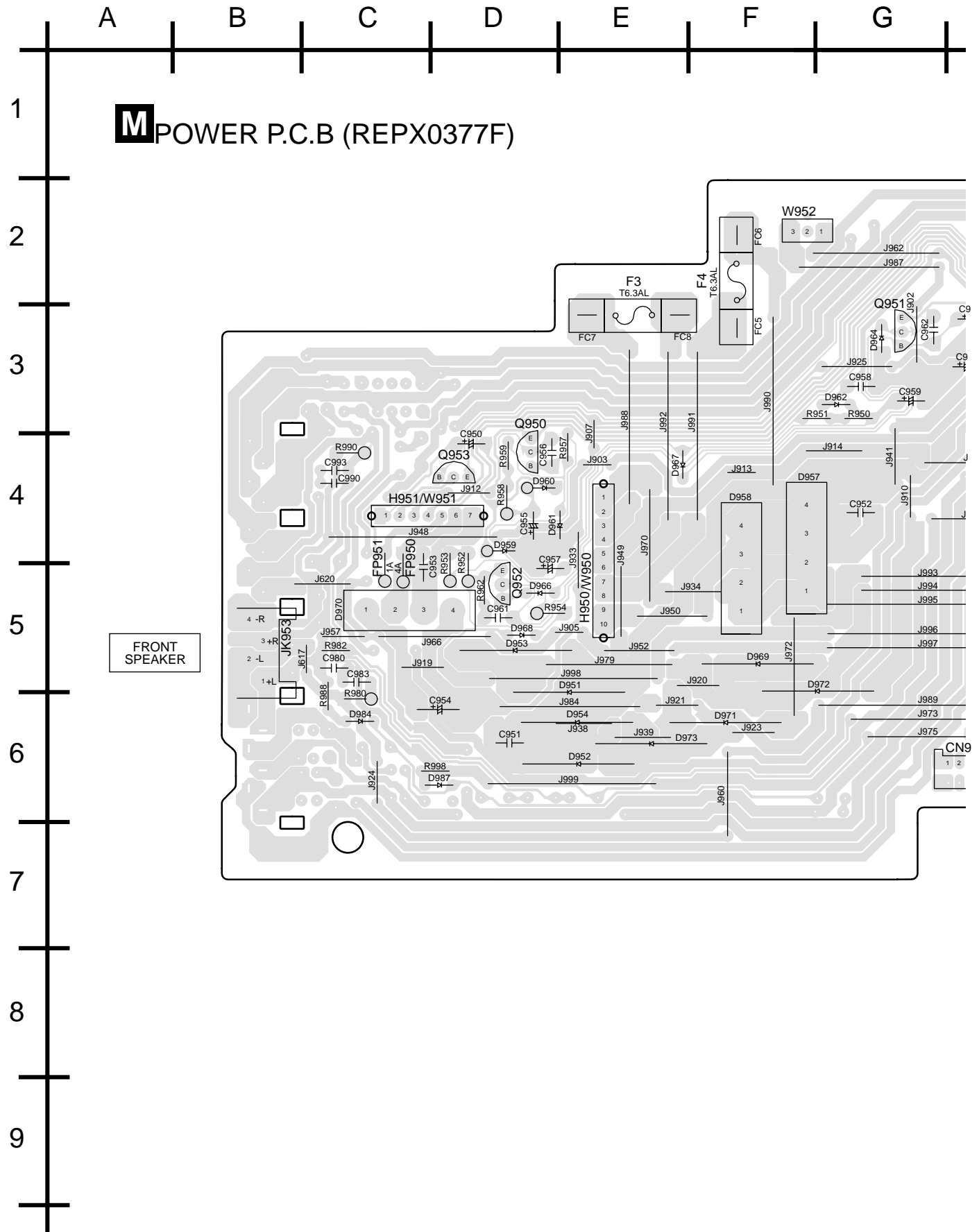


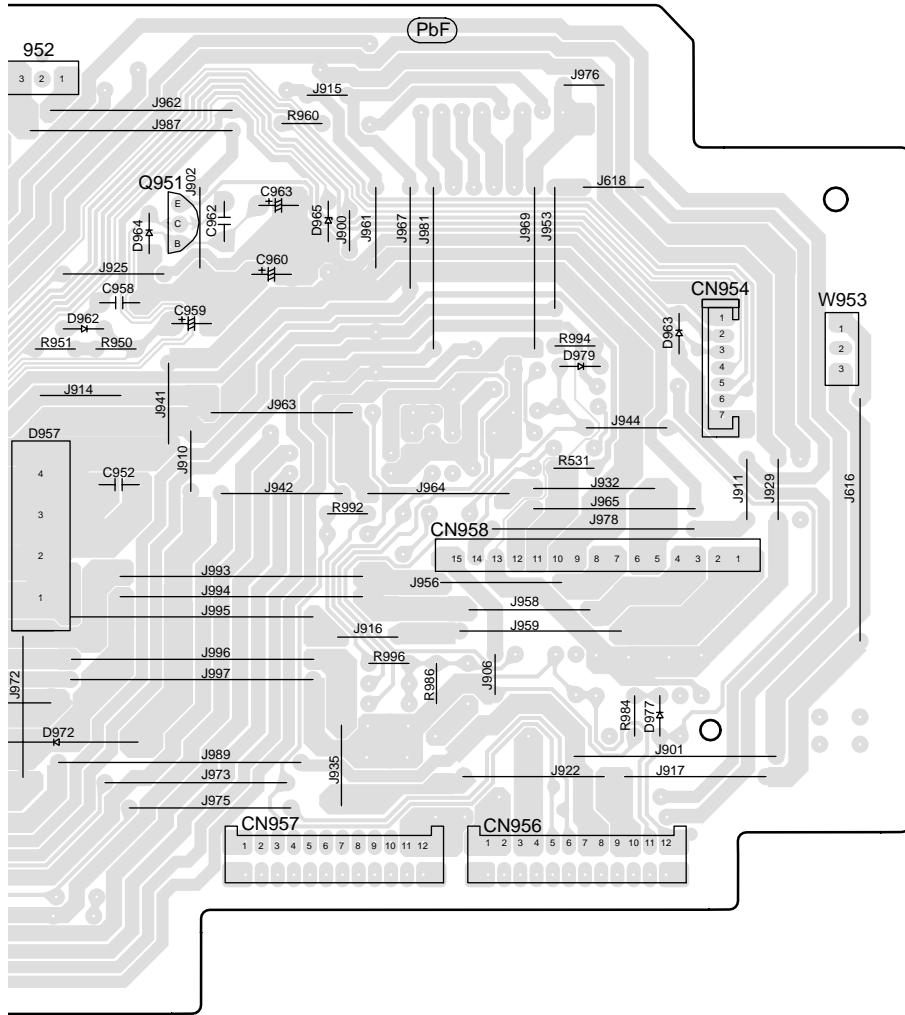
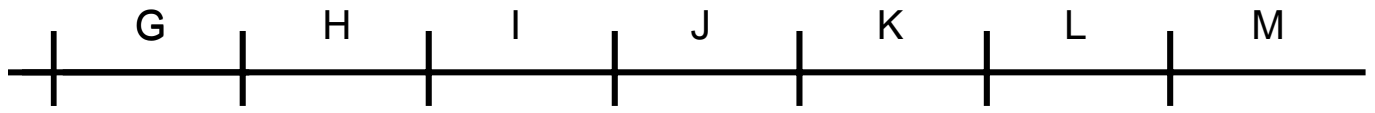
21.8. (L) Power Supply P.C.B.



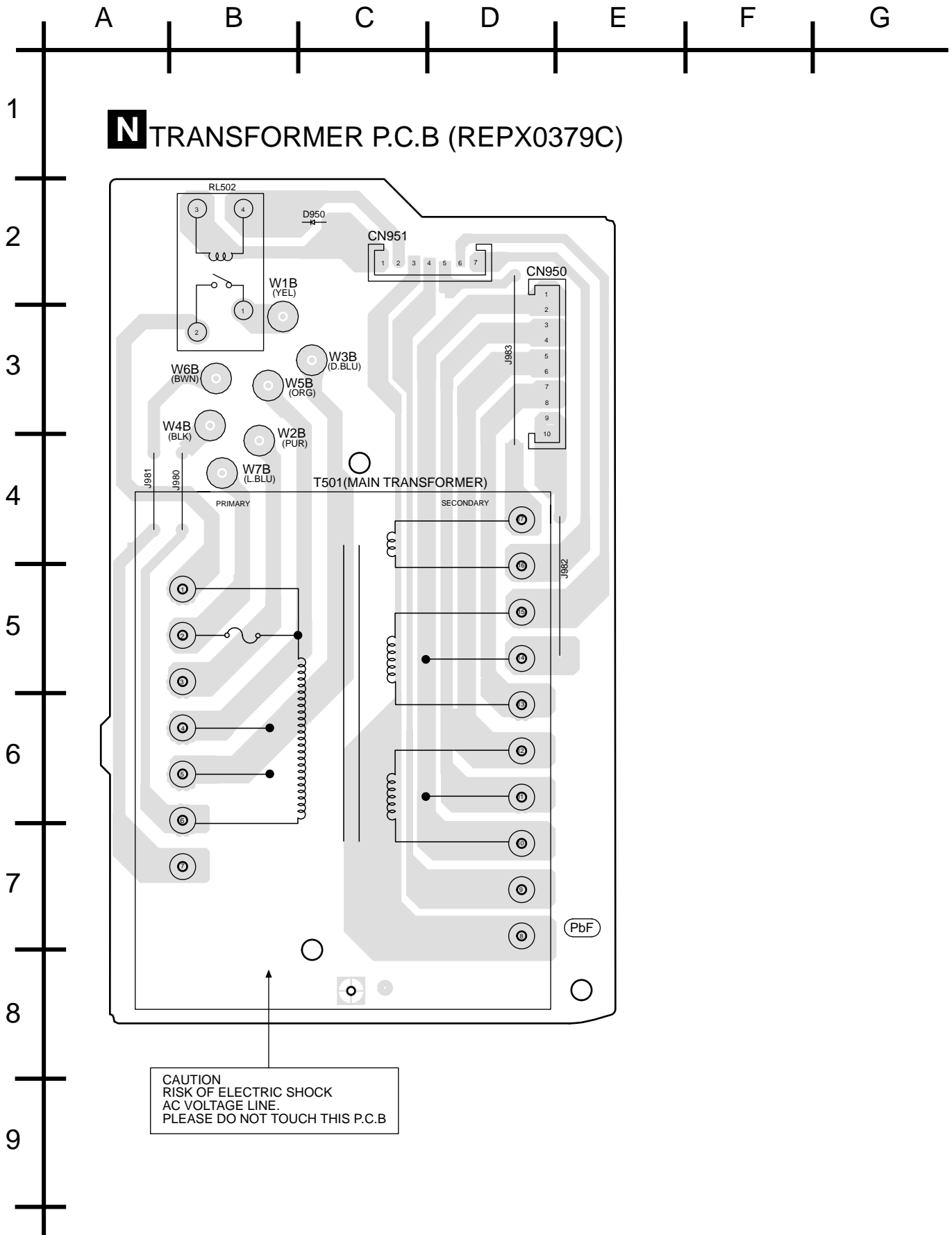


21.9. (M) Power P.C.B.

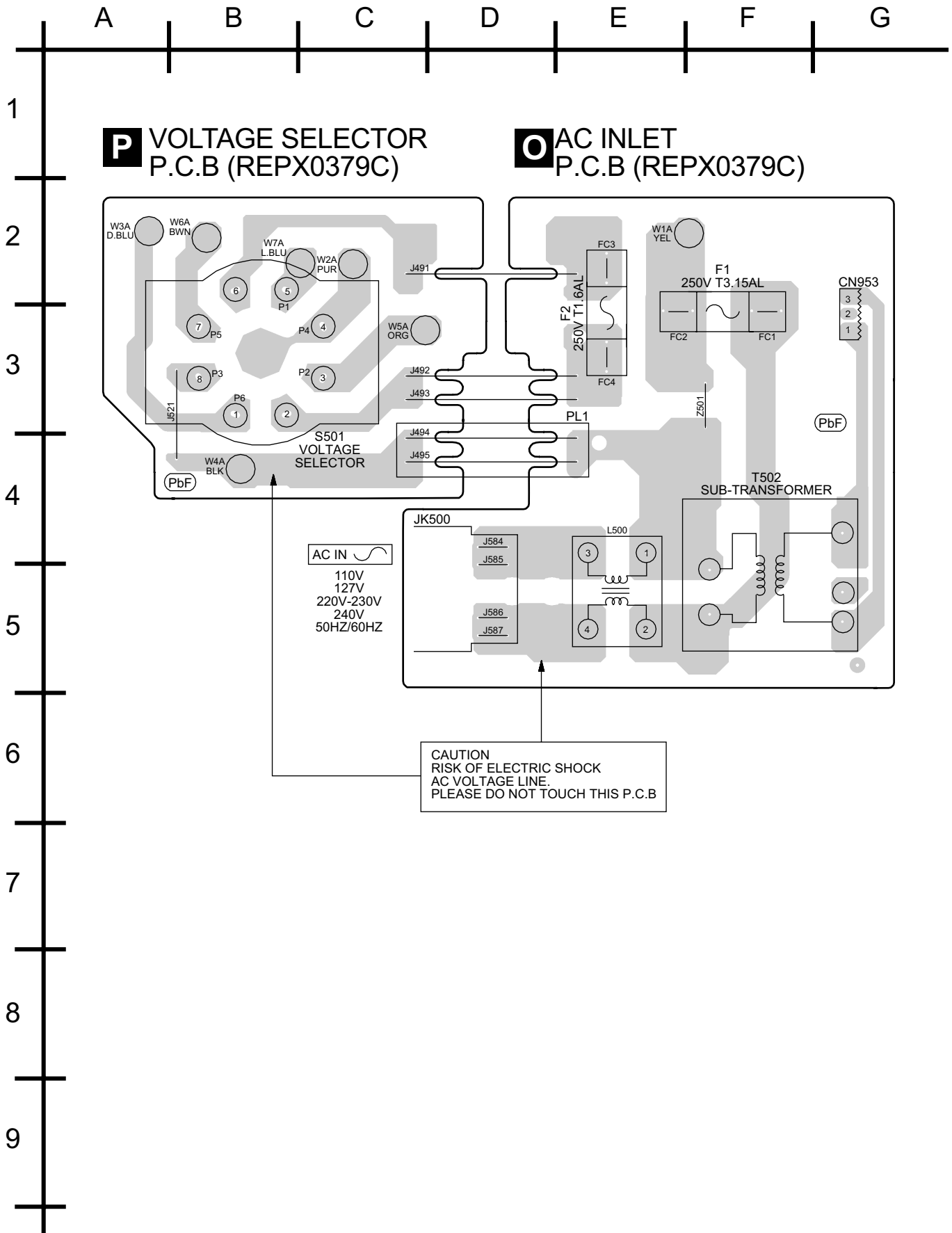




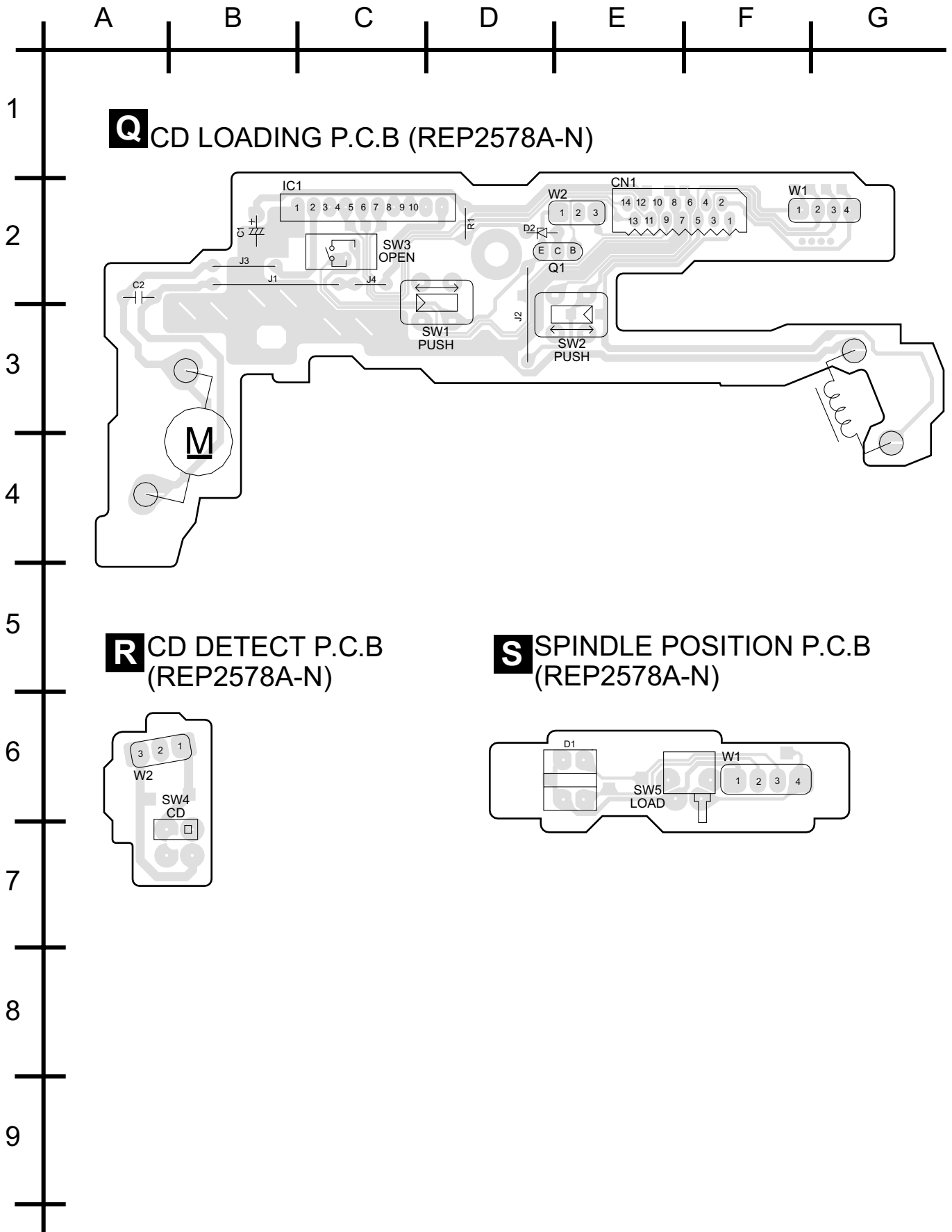
21.10. (N) Transformer P.C.B.



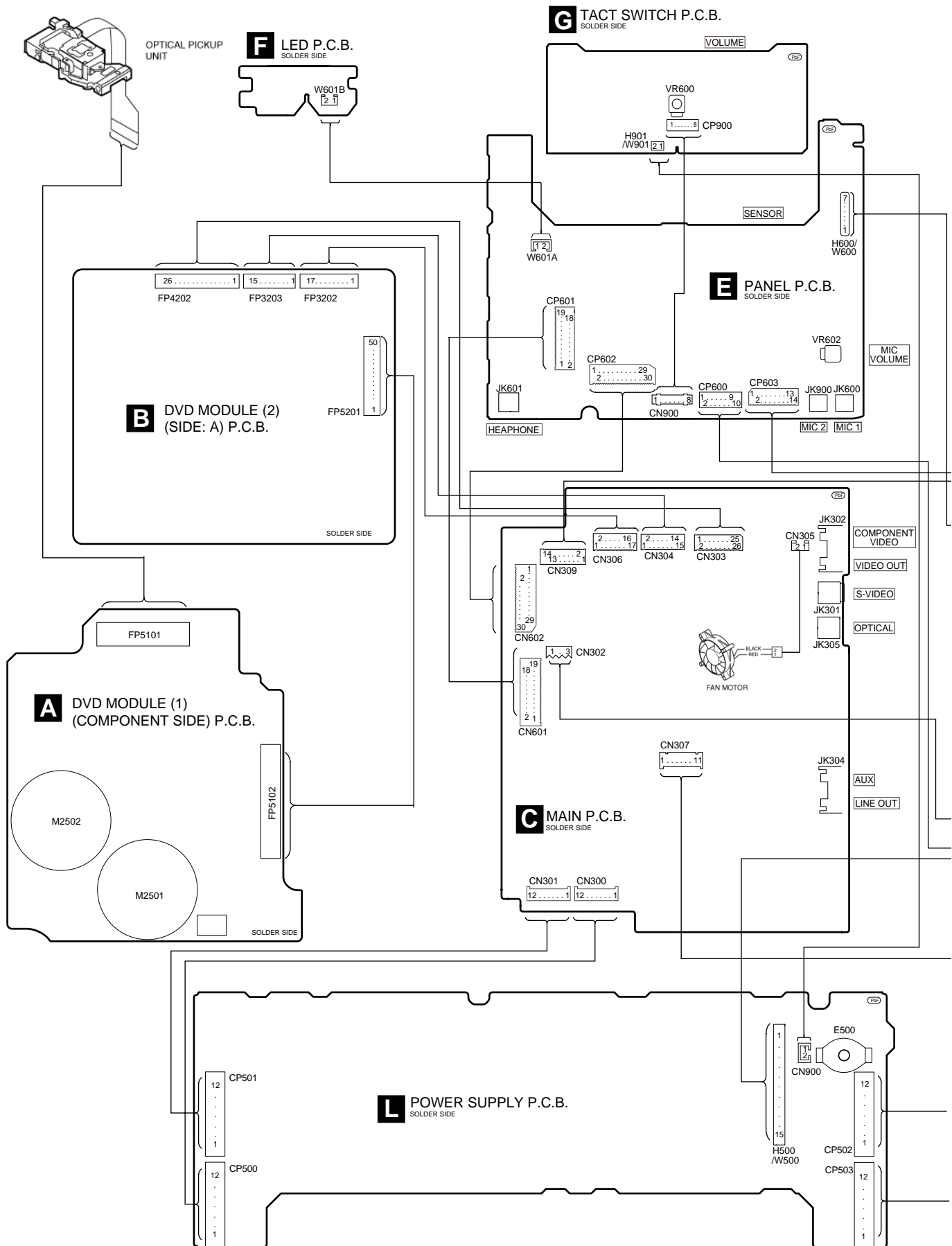
21.11. (O) AC Inlet P.C.B. & (P) Voltage Selector P.C.B.

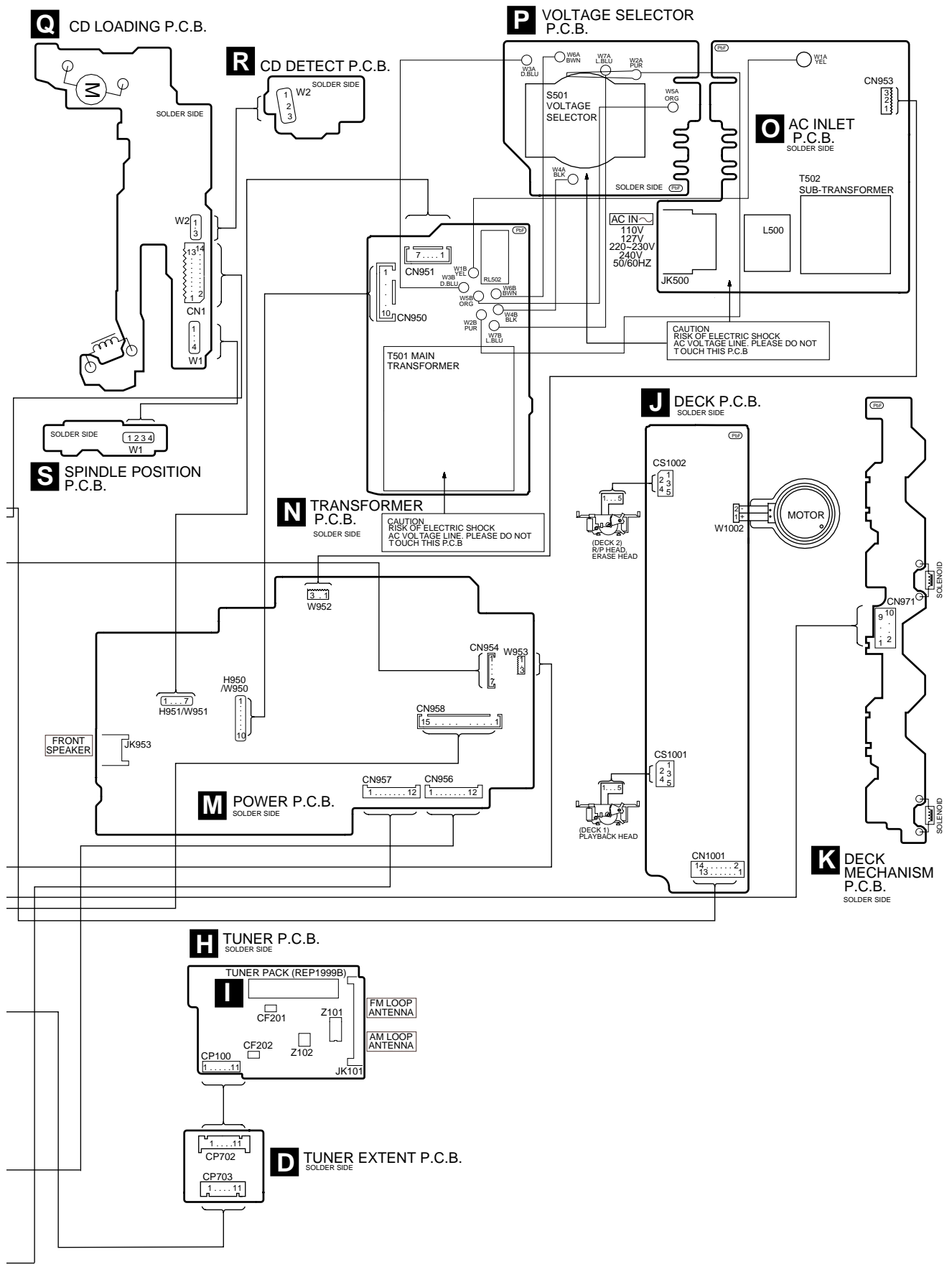


21.12. (Q) CD Loading P.C.B., (R) CD Detect P.C.B. & (S) Spindle Position P.C.B.

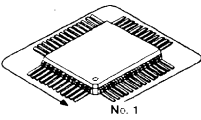
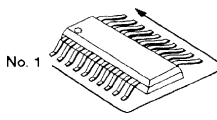
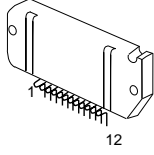
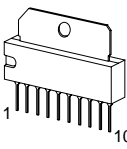
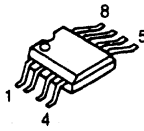
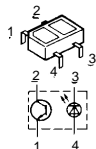
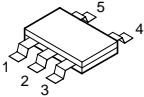
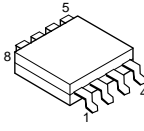
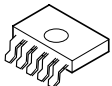
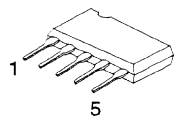
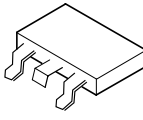
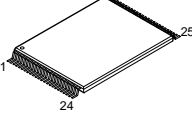
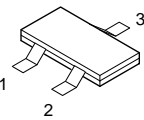
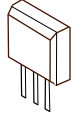
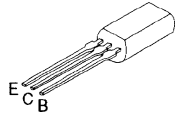
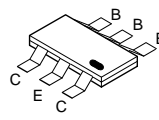
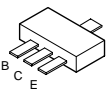
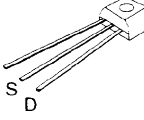
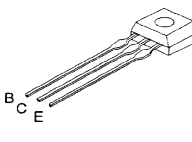

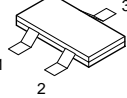
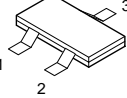
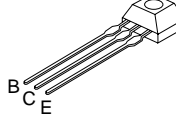
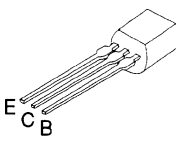
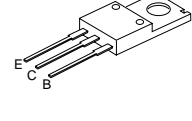
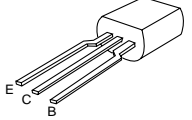
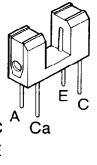
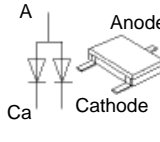
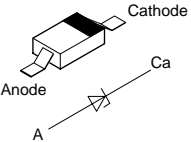
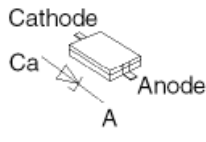
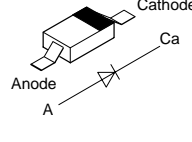
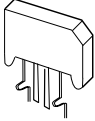
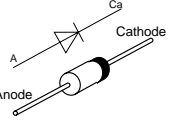
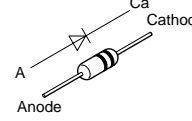
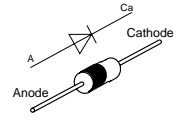
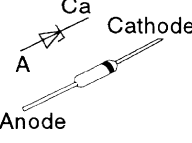
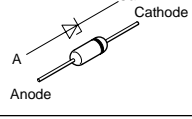
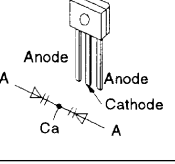
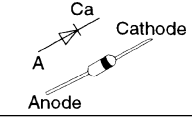
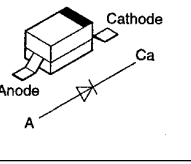
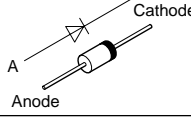
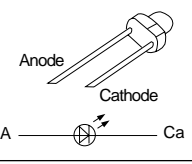
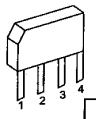
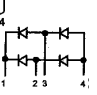


22 Wiring Connection Diagram





23 Illustration of ICs, Transistors and Diodes

<p>C0EBE000070(100P) C1BB00000801(80P) C2HBZC000013(80P) MN2DS0002AP1(208P)</p>  <p>No. 1</p>	<p>AN7348S-E1 (24P) C0JZAS000004(30P) C0GBG0000033(28P) C1BB00000574 (16P) C1BB00000782(42P) M62456FPE1 (24P) C0FBBK000035(16P)</p>	<p>C1BB0000086(18P) C1DB00000980(16P) C9ZB00000377(32P) KIA4558FEL(8P) LA1833NMNTLM (24P) LC72131MDTRM(20P)</p>  <p>No. 1</p>	<p>RSN312H24-P</p>  <p>12</p>		
<p>C0GAM0000005</p>  <p>1 10</p>	<p>C0AABB000117</p>  <p>1 4 5 8</p>	<p>CNB13030R2AU</p>  <p>1 2 3 4</p>	<p>C0JBAA000001 C0CBCBE00003</p>  <p>1 2 3 4 5</p>	<p>C3EBGZ000001 (8P)</p>  <p>1 4 5 8</p>	<p>C0DBCFCG00004 C0DBAMH00009</p> 
<p>C1AA00000612</p>  <p>1 5</p>	<p>C0CBADG000005</p> 	<p>C3FBMD000134</p>  <p>1 24 48 25</p>	<p>2SD1819A0L</p>  <p>1 2 3</p>	<p>2SD1859QRTV2</p> 	<p>2SD21370PA</p>  <p>E C B</p>
<p>B1GFGCAA0001</p>  <p>B B E C E C</p>	<p>B1BDBF000004</p>  <p>B C E</p>	<p>2SK544F-AC</p>  <p>G S D</p>	<p>B1GACFGG0004 KTC3199GRTA B1AAGC000007 2SC2786MTA 2SC2787FL1TA</p>  <p>B C E</p>	<p>2SC2058SPTA</p>  <p>E C B</p>	
<p>B1ADCF000001 UNR511M00L B1GBCFJN0021 B1ABCF000131 B1GDCFGA0014 B1GBCFJA0015 UNR212100L B1BACG000009</p>  <p>1 2 3</p>	<p>B1ABEA000001 B1GBCFNA0019 B1ABCF000011 B1GDCFJJ0023</p>  <p>1 2 3</p>	<p>2SC1740SSTA B1ACCF000063 KRC102MTA</p>  <p>B C E</p>	<p>KTA12710YTA 2SB621ARSTA 2SD0592ARA B1ACCL000012 B1ACCL000010</p>  <p>E C B</p>	<p>B1BCCG000021</p>  <p>E C B</p>	
<p>B1GCCFJJ0015 B1GACFLL0007 B1AARC000002</p>  <p>E C B</p>	<p>GP1S94</p>  <p>A C A Ca E C Ca E</p>	<p>B0ADCJ000020</p>  <p>Anode Cathode</p>	<p>B0BC7R500001 B0BC5R000009</p>  <p>Anode Cathode Ca A</p>	<p>B0ACCK000005 B0BC3R700004</p>  <p>Cathode Anode Ca A</p>	<p>B0ACCE000003</p>  <p>Anode Cathode Ca A</p>
<p>B0FBAM000009</p> 	<p>B0JAPG000019</p>  <p>Anode Cathode Ca A</p>	<p>MA2C700A0F</p>  <p>Anode Cathode Ca A</p>	<p>B0HARM000017</p>  <p>Anode Cathode Ca A</p>	<p>B0BA03100002 B0BA5R600016 B0BA01100004 B0BA019000005</p>  <p>Anode Cathode Ca A</p>	
<p>B0BA4R600003 B0BA5R000004 B0BA7R000005</p>  <p>Anode Cathode Ca A</p>	<p>SVC211SPA-AL</p>  <p>Anode Cathode Ca A</p>	<p>B0AACK00004 MA2J72800L MA2C16500E MA2C72300F</p>  <p>Anode Cathode Ca A</p>	<p>B0JCPC000004</p>  <p>Anode Cathode Ca A</p>	<p>B0EAKM000117 B0BC01000014 B0EAKM000125</p>  <p>Anode Cathode Ca A</p>	<p>SLI325URCT31</p>  <p>Anode Cathode Ca A</p>
<p>B0EBNL000004</p>  <p>1 2 3 4</p> 					

24 Terminal Function of IC

24.1. IC600 (C2BBHF000076) System Microprocessor

Pin No.	Mark	I/O	Function
1	EECS	O	EEPROM Chip Select
2	SERA	O	EXP_DECK_CK/EXP2_CK/EE_CK
3	CHG_HALF	O	Changer Half Output
4	CHG_CW	O	Changer Motor CW
5	CHG_CCW	O	Changer Motor CCW
6	CHG_PLGR	O	Changer Plunger Output
7	DCDET	I	DC Detect Input
8	NJU_LAT	O	NJU LAT Output
9	PCNT	O	Main Transformer Control Output
10	KARA_LA/REGIN	I/O	Karaoke LSI Strobe/ Region In
11	RESET	I	Reset
12	XCin	I	32.768 khz Sub Clock
13	XCout	O	32.768 khz Sub Clock
14	VSS	-	GND
15	CF1	I	Main Clock
16	CF2	O	Main Clock
17	VDD1	-	VDD (+5V)
18	KEY3	I	KEY3 input
19	KEY2	I	KEY2 input
20	KEY1	I	KEY1 input
21	CHG_AD1	I	Open/Clamp Chnager Input
22	CHG_AD2	I	Position/Bottom Changer Input
23	SPE	I	Speana Input
24	DECK2	I	Deck Conduction Input (RINHF/MODE2/RINHR/HALF2)
25	DECK1	I	Deck Condition Input (MODE1/HALF1)
26	DECK3	I	Deck Condition Input (PHOTO1/PHOTO2)
27	CHG_SW	I	Changer SW1 and SW2 Input
28	SYNC	I	AC Failure Detect Input
29	RMT	I	Remote Control Input
30-40	GRD1-11	O	FL Display
41-45	SEG1-5	O	FL Display
46	VDD3	-	(+5V)
47-50	SEG6-9	O	FL Display
51	VP	-	FL Display
52-62	SEG10/REG1-SEG20/REG11	O	FL Display/Region Setting Control 1
63-71	SEG21-SEG29	O	FL Display
72	VDD3	-	(+5v)
73-76	SEG30-SEG33	O	FL Display
77	PLL_IF (PLL_DA_IN/ST)	I	PLL Data Input/Tuner Stereo
78	VOL_A	I	Volume Jog A Input
79	VOL_B	I	Volume Jog B Input
80	SD (TU_SIG_DEC_IN)	I	Tuner Signal Detect Input
81	SP_C	O	Speana Control Output C
82	SP_B	O	Speana Control Output B
83	SP_A	O	Speana Control Output A
84	DVD_MUTE	I	DVD Mute Output
85	SERB (EX3CK/PLLCK)	O	EXP3 CK/PLL_CK
86	SERC (EXDECK_DA/EX1_DA/EX3_DA)	O	EXP DECK DA/EXP1 DA/EXP3 DA
87	SERD (EX1CK/EX2_DA/EE_DA)	O	EXP1 CK/EXP2 DA/EE_DATA
88	PLLDA	O	PLL DATA Output

Pin No.	Mark	I/O	Function
89	VSS	-	GND
90	VDD	-	+5V
91	MUTE_A	O	Audio Mute Output
92	PLLCE	O	PLL CE
93	DSP_CS	O	DSP CS
94	DSP_RST	O	DSP IC Reset Output
95	SERE	O	DSP/6CH VOL/NJU/KARAOKE LSI Data Output
96	VOL_CS+	O	6CH VOL CS
97	SERF	O	DSP/6CH VOL/NJU KARAOKE LSI CK Output
98	DVD_CMD	O	DVD CMD Data Output
99	DVD_STA	I	DVD Status Data Input
100	DVDCLK	O	DVD CLK Output

25 Parts Location and Replacement Parts List

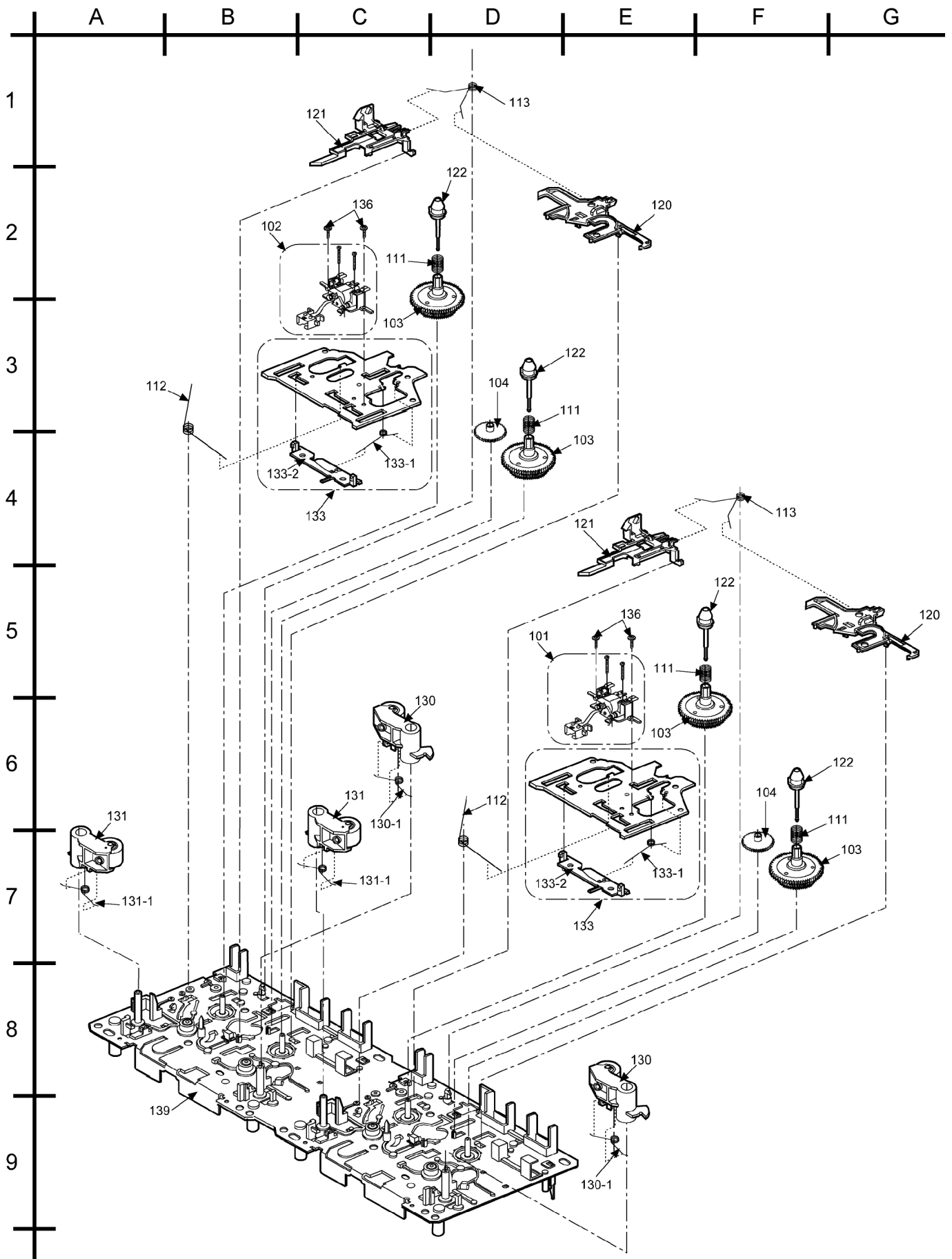
Notes:

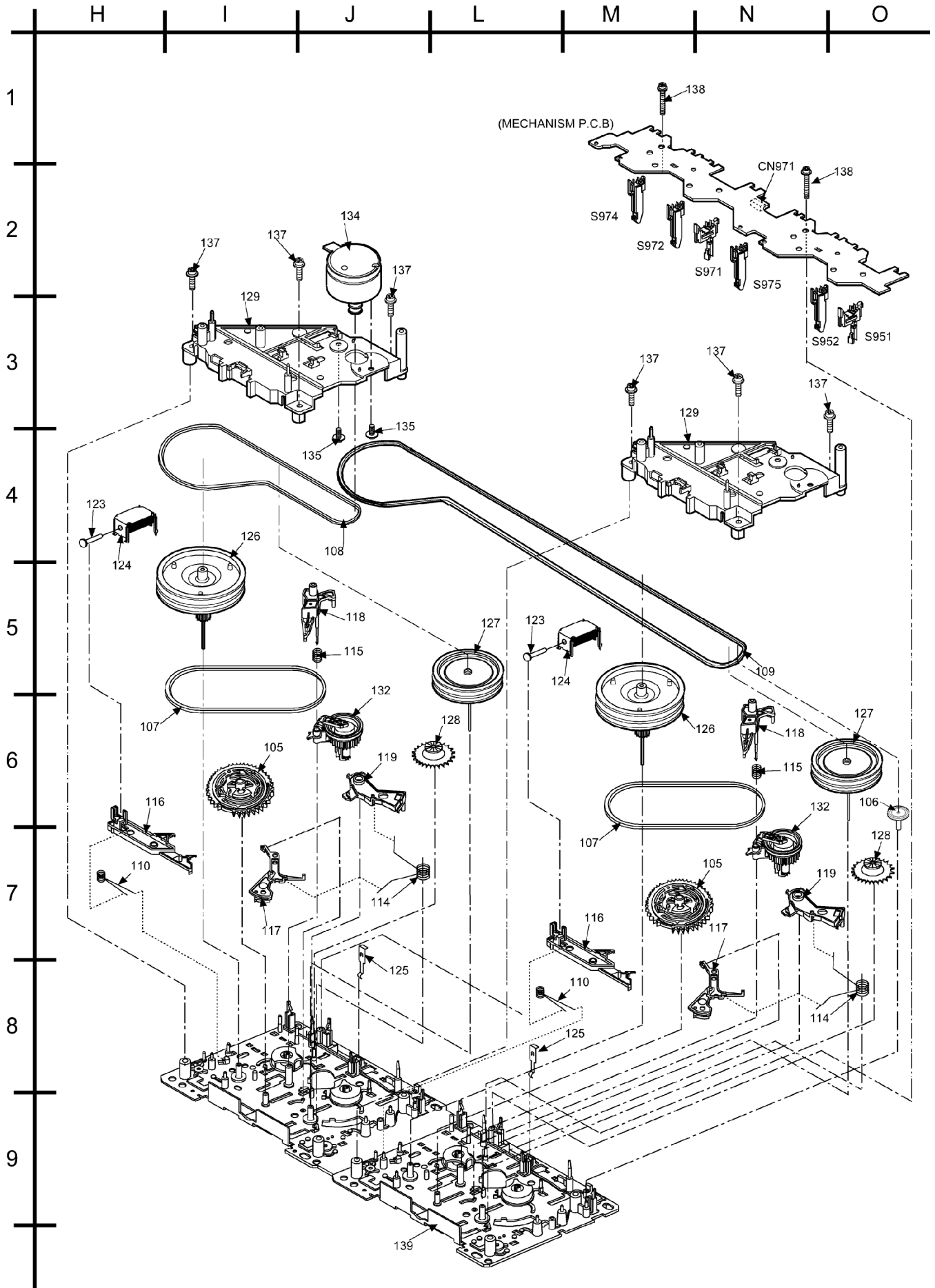
- Important safety notice:
Components identified by \triangle mark have special characteristics important for safety.
Furthermore, special parts which have purposes of fire-retardant (resistors), high-quality sound (capacitors), low noise (resistors), etc are used.
When replacing any of these components, be sure to use only manufacturer's specified parts shown in the parts list.
- The parenthesized indications in the Remarks columns specify the areas or colour. (Refer to the cover page for area or colour)
Parts without these indications can be used for all areas.
- Warning: This product uses a laser diode. Refer to caution statements on "Precaution of Laser Diode".
- Capacitor values are in microfarads (μF) unless specified otherwise, P= Pico-farads (pF), F= Farads.
- Resistance values are in ohms, unless specified otherwise, 1K=1,000 (OHM).
- The marking (RTL) indicates that the Retention Time is limited for this items. After the discontinuation of this assembly in production, the item will continue to be available for a specific period of time. The retention period of a availability is dependent on the type of assembly, and in accordance with the laws governing part and product retention. After the end of this period, the assembly will no longer be available.
- [M] markings in the Remarks columns indicates parts supplied by **PAVCSG**.
- [SPC] markings in the Remarks columns indicates parts that are supplied by **PAVC**.
- Reference for O/I book languages are as follows:

Ar :	Arabic	Du :	Dutch	It :	Italian	Sp :	Spanish
Cf :	Canadian French	En :	English	Ko :	Korean	Sw :	Swedish
Cz :	Czech	Fr :	French	Po :	Polish	Co :	Traditional Chinese
Da :	Danish	Ge :	German	Ru :	Russian	Cn :	Simplified Chinese
Pe :	Persian						

25.1. Deck Mechanism (RAA3412-S)

25.1.1. Deck Mechanism Parts Location



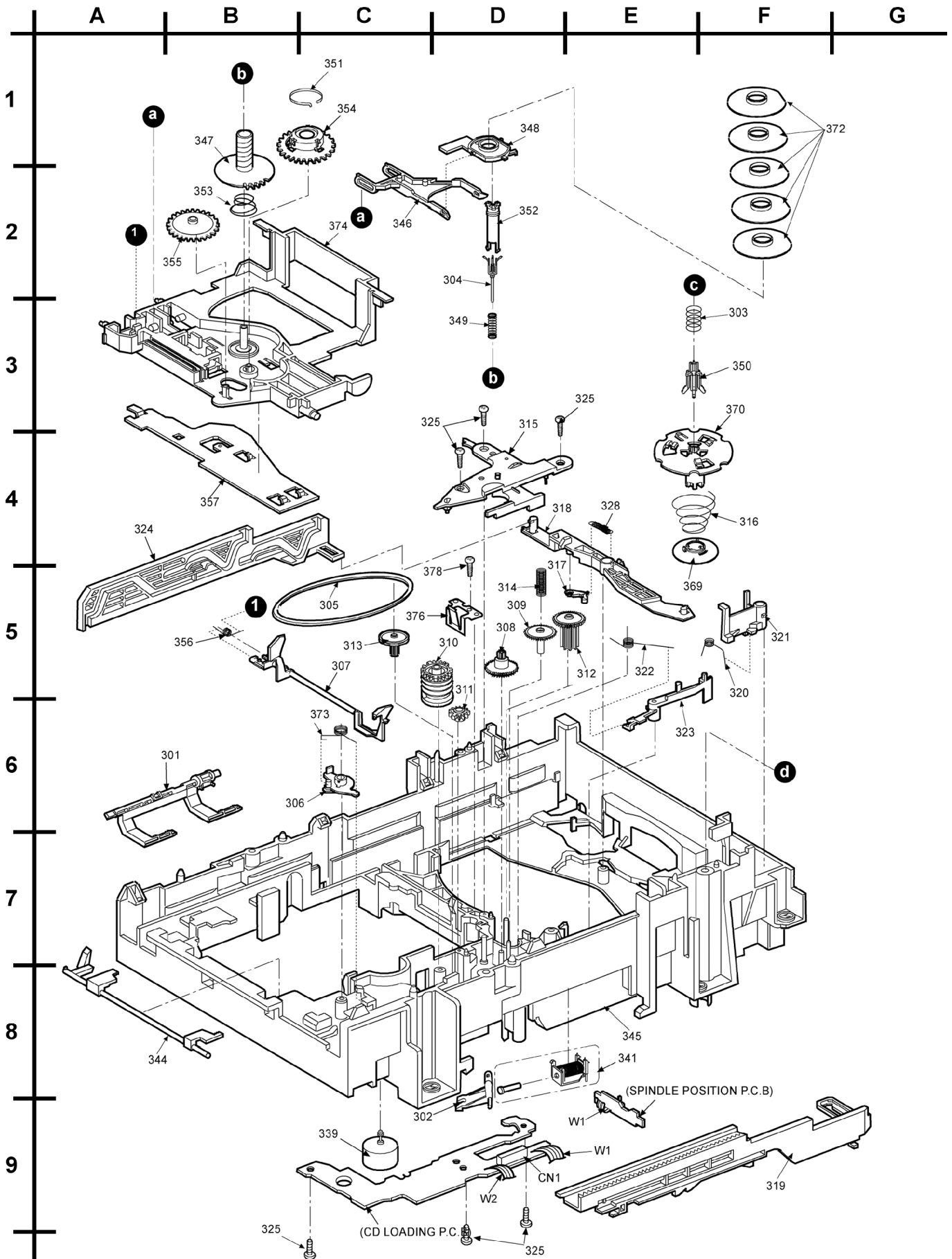


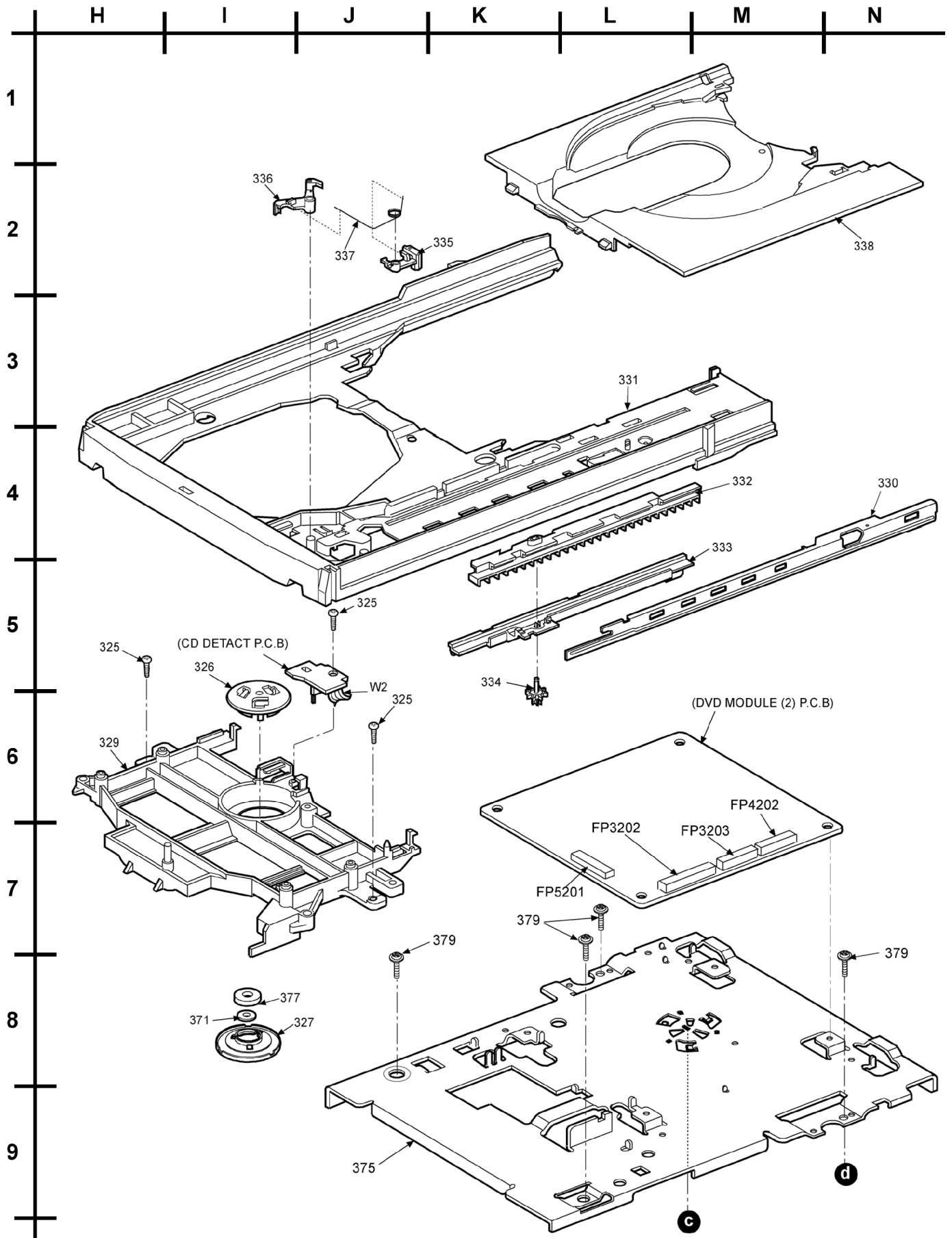
25.1.2. Deck Mechanism Parts List

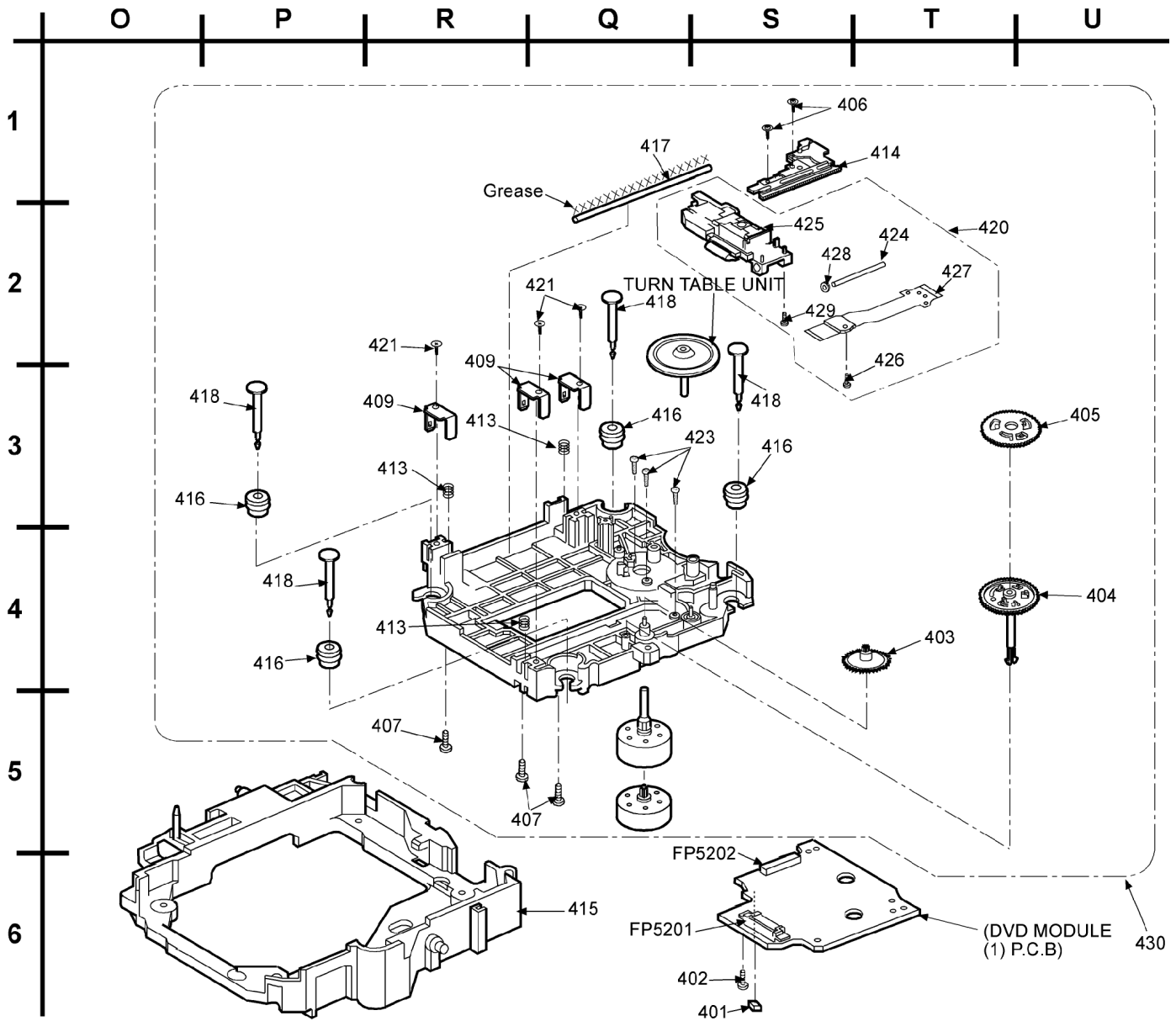
Ref. No.	Part No.	Part Name & Description	Remarks
		CASSETTE DECK	
101	RED0071	R/P HEAD BLOCK UNIT	[M]
102	RED0072	P/B HEAD BLOCK UNIT	[M]
103	RDG0300	REEL BASE GEAR	[M]
104	RDG0301	WINDING RELAY GEAR	[M]
105	RDK0026	MAIN GEAR	[M]
106	RDR0029-3	RELAY PULLEY	[M]
107	RDV0033-4	WINDING BELT	[M]
108	RDV0034-1	CAPSTAN BELT A	[M]
109	RDV0057	CAPSTAN BELT B	[M]
110	RMB0312	TRIGGER LEVER SPRING	[M]
111	RMB0400	REEL SPRING	[M]
112	RMB0403	HEAB PANEL SPRING	[M]
113	RMB0404	BRAKE ROD SPRING	[M]
114	RMB0406	FR LEVER SPRING	[M]
115	RMB0408	THRUST SPRING	[M]
116	RML0370	TRIGGER LEVER	[M]
117	RML0371	FR LEVER	[M]
118	RML0372	WINDING LEVER	[M]
119	RML0374	EJECT LEVER	[M]
120	RMM0131	BRAKE ROD	[M]
121	RMM0133-1	EJECT ROD	[M]
122	RMQ0519	REEL HUB	[M]
123	RMS0398-1	MOVING CORE	[M]
124	RSJ0003	PLUNGER ASS'Y	[M]
125	RMC0061	PACK SPRING	[M]
126	RXF0049	FLYWHEEL F ASS'Y	[M]
127	RXF0050	FLYWHEEL R ASS'Y	[M]
128	RXG0040	FF RELAY GEAR ASS'Y	[M]
129	RMK0283A-J	SUB-CHASSIS	[M]
130	RXL0124	PINCH ROLLER F ASS'Y	[M]
130-1	RMB0401	PINCH ARM SPRING F	[M]
131	RXL0125	PINCH ROLLER R ASS'Y	[M]
131-1	RMB0402	PINCH ARM SPRING R	[M]
132	RXL0126	WINDING ARM ASS'Y	[M]
133	RXQ0412	HEAD PANEL ASS'Y	[M]
133-1	RMB0405	FR ROD SPRING	[M]
133-2	RMM0132	FR ROD	[M]
134	REM0088	CAP MOTOR ASS'Y	[M]
135	RHD26022	MOTOR SCREW	[M]
136	XTW2+5L	HEAD BLOCK UNIT SCREW	[M]
137	XTW26+10S	SUB-CHASSIS SCREW	[M]
138	XYC2+JF17	PCB EARTH SCREW	[M]
139	RFKJXED70-K	MAIN CHASSIS	[M]

25.2. CD Loading Mechanism (RD-DAC036-S)

25.2.1. CD Loading Mechanism Parts Location







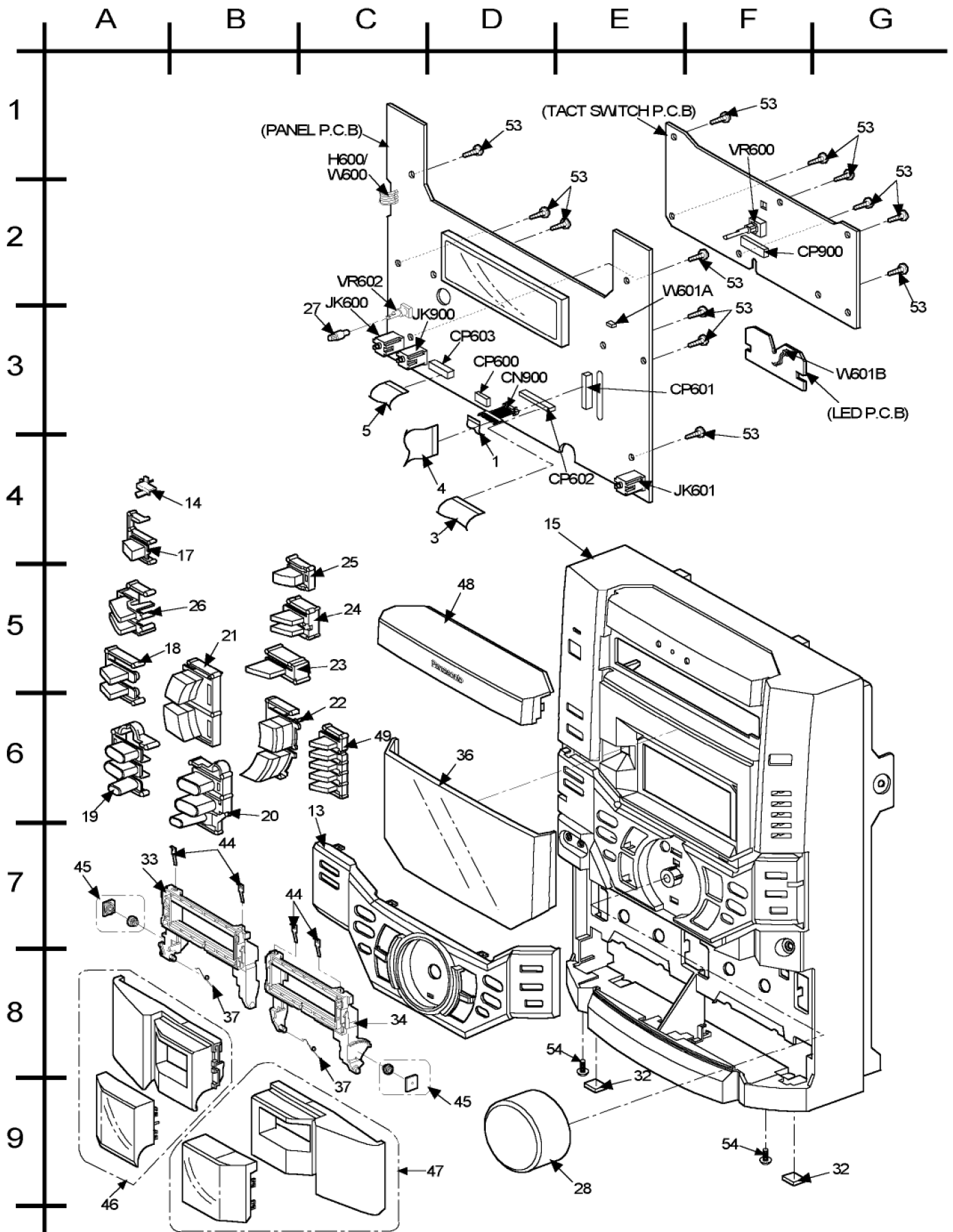
25.2.2. CD Loading Mechanism Parts List

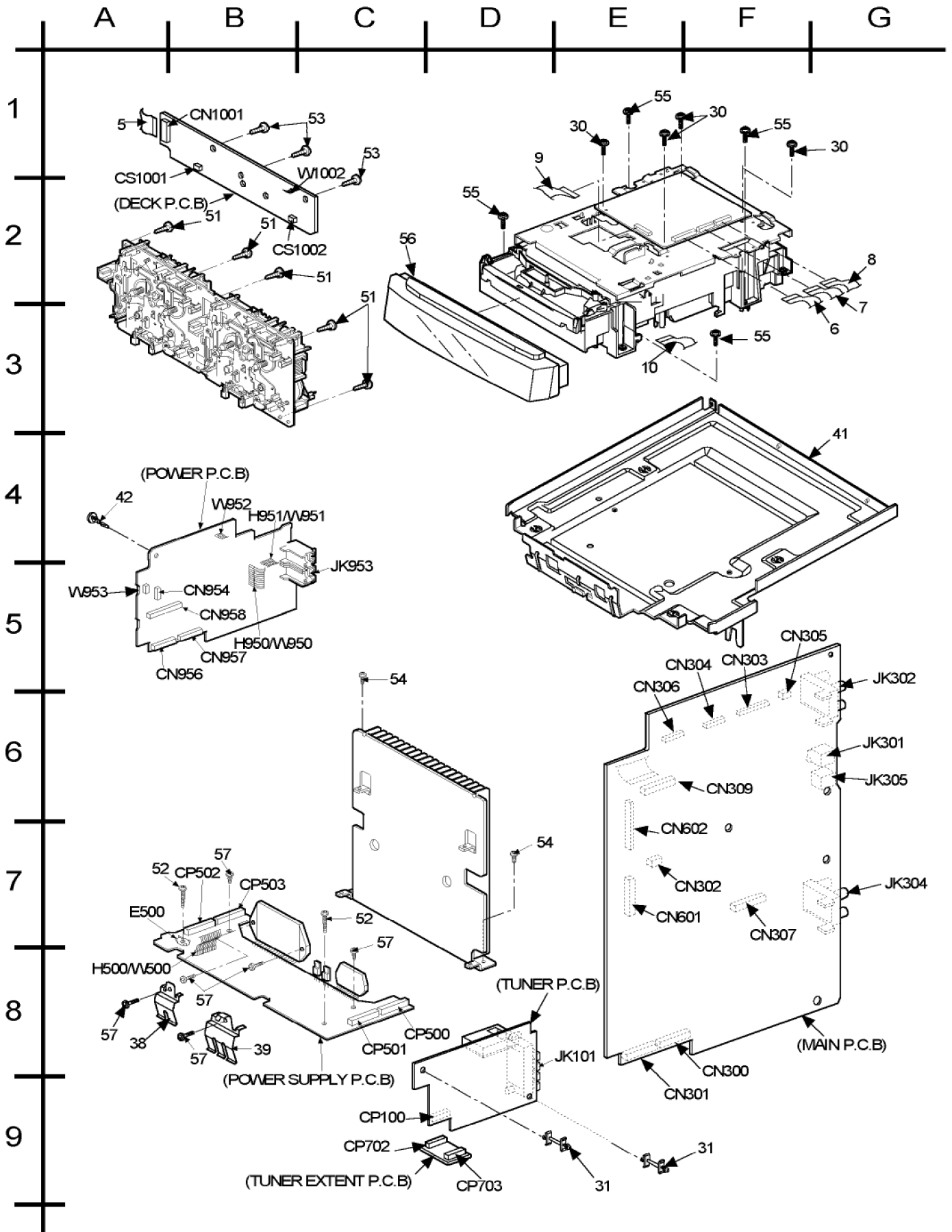
Ref. No.	Part No.	Part Name & Description	Remarks
		TRAVERSE DECK	
301	RML0517	TIMING LEVER	[M]
302	RML0516	PLUNGER LEVER	[M]
303	RMB0551	UPPER SPINDLE SPRING	[M]
304	RMQ0744	LOWER HOOK	[M]
305	RDV0056	BELT	[M]
306	RML0525	FRONT LOCK	[M]
307	RML0526	DISC LEVER	[M]
308	RDG0424	DRIVE GEAR	[M]
309	RDG0425	CHANGE GEAR	[M]
310	RDG0427	TRV CAM GEAR	[M]
311	RDG0428	TRV RELAY GEAR	[M]
312	RDG0426	UP/DOWN GEAR	[M]
313	RDG0429	PULLEY GEAR	[M]
314	RMB0549-1	CHANGR GEAR SPRING	[M]
315	RMQ0748	PITCH PLATE	[M]
316	RMB0553	PUSH SPRING	[M]
317	RML0530	ASSIST LEVER	[M]
318	RML0518	CONNECTION LEVER	[M]
319	RMM0201	SLIDE PLATE 1	[M]
320	RME0258	REAR LOCK SPRING	[M]
321	RML0521	REAR LOCK LEVER	[M]
322	RME0257	TRAY LOCK LEVER SPRING	[M]
323	RML0520	TRAY LOCK	[M]
324	RMM0202	SLIDE PLATE 2	[M]
325	XTB3+10J	SCREW	[M]
326	RMR1367-K	FIXED PLATE	[M]
327	RMR0624-W	CLAMPER	[M]
328	RMB0561	ASSIST LEVER SPRING	[M]
329	RMR1121-K	MECHA COVER	[M]
330	RMA1110-2	TRAY ANGLE	[M]
331	RMR1122-H1	TRAYBASE	[M]
332	RMM0204	CARRIER	[M]
333	RMM0203	DRIVE RACK	[M]
334	RDG0432	SPEED UP GEAR	[M]
335	RML0524	SLIDE LOCK	[M]
336	RML0523	CARRIER LOCK	[M]
337	RME0260-1	SLIDE LOCK SPRING	[M]
338	RMR1123-H	TRAY	[M]
339	RXQ0595	MOTOR ASSY	[M]
341	RSJ0003	SOLENOID ASSY	[M]
344	RML0519	CD LEVER	[M]
345	RFKNAAK27GCS	MECHA BASE ASS'Y	[M]
346	RML0522	TURNING STOPPER	[M]
347	RMQ0745	LOWER SPINDLE	[M]
348	RMQ0746	UP/DOWN BASE	[M]
349	RMB0550	LOWER SPINDLE SPRING	[M]
350	RMQ0747	UPPER HOOK	[M]
351	RME0263	CLICK SPRING	[M]
352	RMQ0743	SPINDLE SHAFT	[M]
353	RMB0552	CUSHION SPRING	[M]
354	RDG0430	RELAY GEAR A	[M]
355	RDG0431	RELAY GEAR B	[M]
356	RME0262	DISK LEVER SPRING	[M]
357	RMA1105	SUPPORT PLATE	[M]
369	RMX0141	PUSH SPACER	[M]
370	RMQ0749	UPPER SPINDLE	[M]
371	RHM0001	MAGNET	[M]
372	RMX0140	DISC SPACER	[M]
373	RME0261	FRONT LOCK SPRING	[M]
374	RMQ0742	SPINDLE BASE	[M]
375	RMA1435	PB ANGLE	[M]
376	RMC0387	SUPPORT SPRING	[M]
377	RMA1003	BACK YOKE	[M]
378	XTV2+6G	PCB SCREW	[M]
379	XTW3+10T	SCREW	[M]
401	RMG0558-K	P.C.B. RUBBER	[M]
402	RHD20060	PCB SCREW	[M]
403	RDG0499	TRAVERSE GEAR A	[M]
404	RDG0500	TRAVERSE GEAR B	[M]
405	RDG0501	TRAVERSE GEAR C	[M]

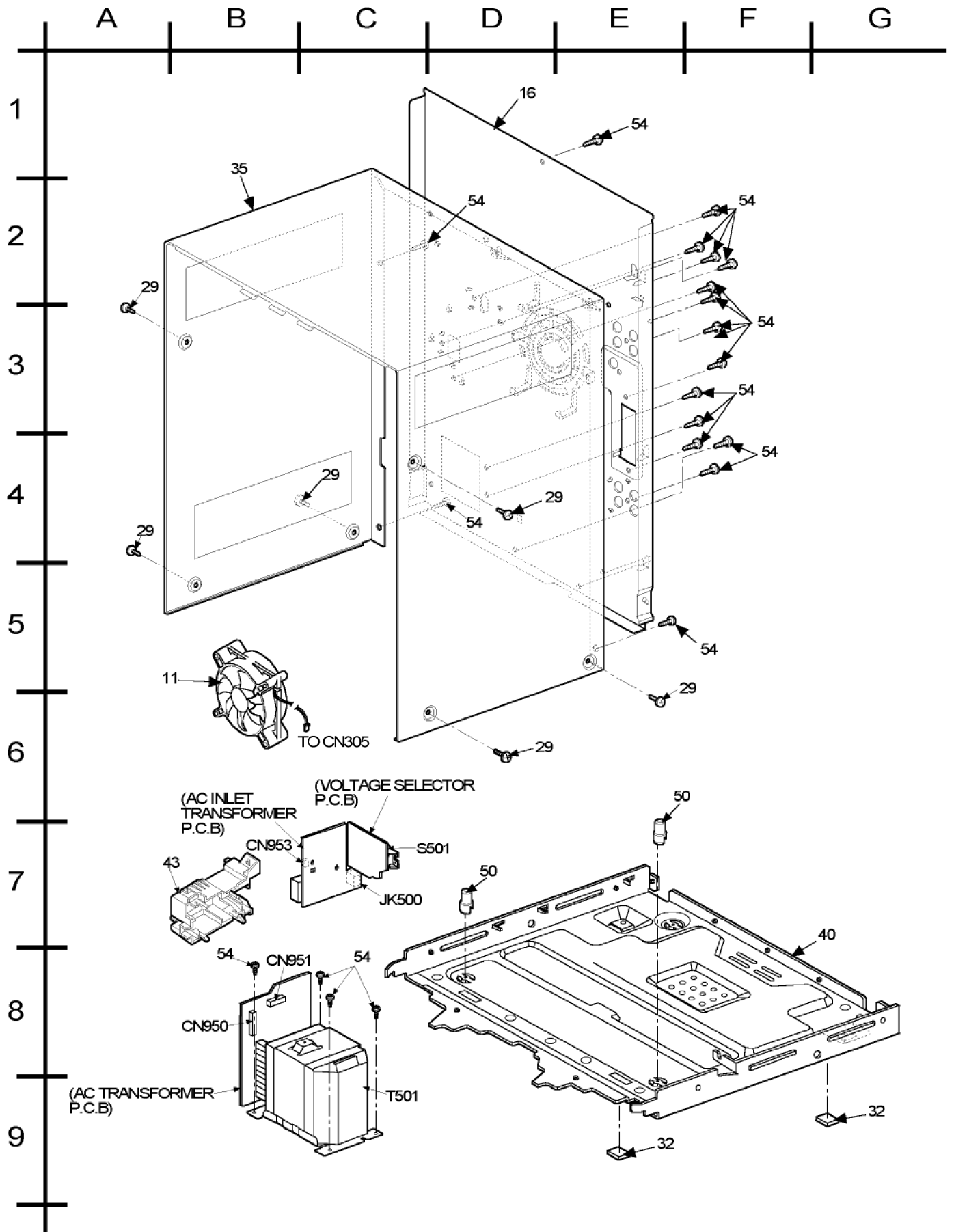
Ref. No.	Part No.	Part Name & Description	Remarks
406	RHD17044	DRIVE RACK SCREW	[M]
407	RMC0415	ADJUST SPRING HOLDER	[M]
409	RME0319	TRV GEAR SPRING	[M]
413	RME0320	ADJUSTMENT SPRING	[M]
414	RMM0234-1	TRV DRIVE RACK	[M]
415	RMR1366-K1	UNIT CHASSIS	[M]
416	RMG0545-A	FLOATING RUBBER	[M]
417	RMS0711	GUIDE SHAFT	[M]
418	RMS0712-1	FIXED PIN	[M]
420	RXQ0943	OPU UNIT	[M]
421	VHD1224	ADJ SPRING HOLDER SCREW	[M]
423	XQN17+C28	MOTOR SCREW	[M]
424	RMS0710	DRIVE SHAFT	[M]
425	RAF3023A-2S	OPU UNIT	[M]
426	RHD14095	FPC SCREW	[M]
427	RJB2308A-1	INTERFACE FPC	[M]
428	RMG0561-T	CUSHION RUBBER	[M]
429	RHD17029	SHAFT ADJUST SCREW	[M]
430	RAE1825W-S	TRAVERSE UNIT	[M]

25.3. Cabinet

25.3.1. Cabinet Parts Location







25.3.2. Cabinet Parts List

Ref. No.	Part No.	Part Name & Description	Remarks
		CABINET AND CHASSIS	
1	REEX0202	10P FFC	[M]
3	REEX0273	30P FFC WIRE	[M]
4	REEX0274	19P FFC WIRE	[M]
5	REEX0275	14P FFC WIRE	[M]
6	REEX0276	17P FFC WIRE	[M]
7	REEX0277	15P FFC WIRE	[M]
8	REEX0278	26P FFC WIRE	[M]
9	REEX0279-1J	50P FFC WIRE	[M]
10	REEX0280	14P FFC WIRE	[M]
11	L6FALEPH0023	FAN	[M]
13	RYFX0133C-S	CONTROL PANEL	[M]
14	RGLX0069-Q	POWER LIGHT CHIP	[M]
15	RFKGAVK61DEE	FRONT PANEL ASS'Y	[M]
16	RGRX0029G-B	REAR PANEL	[M]
17	RGUX0527-S	POWER BUTTON	[M]
18	RGUX0528-S	DECK 1/2 CONTROL BT	[M]
19	RGUX0529-S	CONTROL BUTTON [L]	[M]
20	RGUX0530-S	CONTROL BUTTON [R]	[M]
21	RGUX0531A-1S	FUNCTION BOTTON [L]	[M]
22	RGUX0532B-1S	FUNCTION BTTON [R]	[M]
23	RGUX0533-S	PRESET EQ BUTTON	[M]
24	RGUX0534A-Q	SS EQ BUTTON	[M]
25	RGUX0535-S	CD EJECT BUTTON	[M]
26	RGUX0537-Q	DPL BUTTON	[M]
27	RGWX0056-S	MIC VOL KNOB	[M]
28	RGWX0080-S	VOLUME KNOB	[M]
29	RHD30004-2S	SCREW	[M]

Ref. No.	Part No.	Part Name & Description	Remarks
30	RHD30078	SCREW	[M]
31	RJFX0003	PCB HOLDER	[M]
32	RKA0059-K	LEG RUBBER	[M]
33	RKFX0093-K	CASS. HOLDER [L]	[M]
34	RKFX0094-K	CASS. HOLDER [R]	[M]
35	RKMX0077B-S	TOP CABINET (BEND)	[M]
36	RKWX0210A-V	FL WINDOW	[M]
37	RMBX0021	CASS OPEN SPRING	[M]
38	RMCO158-S	TR-FIXTURE	[M]
39	RMCX0020	REGULATOR IC CLIP	[M]
40	RMXX0062	BOTTOM CHASSIS	[M]
41	RMXX0075-1	DVD CHASSIS	[M]
42	RMNX0019	PCB SPACER	[M]
43	RMNX0029C-A	SUB TRANS HOLDER	[M]
44	RUS757ZAA	CASSETTE HALF SPRING	[M]
45	RXGX0002	DAMPER GEAR	[M]
46	RYFX0127-S	CASS LID UNIT [L]	[M]
47	RYFX0128-S	CASS LID UNIT [R]	[M]
48	RYQX0094C-S	TOP ORNAMENT UNIT	[M]
49	RYQX0110	5 CD CONTROL BTN	[M]
50	SHE187-5J	PCB SUPPORT	[M]
51	XTB3+10JFZ	SCREW	[M]
52	XTB3+20J	SCREW	[M]
53	XTBS26+10J	SCREW	[M]
54	XTBS3+8JFZ1	SCREW	[M]
55	XTW3+8T	SCREW	[M]
56	RYQX0093B-S	CD LID UNIT	[M]
57	XTW3+15T	SCREW	[M]

25.4. Electrical Parts List


Ref. No.	Part No.	Part Name & Description	Remarks
		PRINTED CIRCUIT BOARD	
	REP3406B-N	DVD MODULE (1) P.C.B. (COMPONENT SIDE & FOIL SIDE)	[M] (RTL)
	REP3587H	DVD MODULE (2) P.C.B. (SIDE A & B)	[M] (RTL)
	REPX0376K	MAIN P.C.B.	[M] (RTL)
	REPX0376K	TUNER EXTENT P.C.B.	[M] (RTL)
	REPX0378N	PANEL P.C.B.	[M] (RTL)
	REPX0378N	LED P.C.B.	[M] (RTL)
	REPX0378N	TACT P.C.B.	[M] (RTL)
	REPX0373C	TUNER P.C.B.	[M] (RTL)
	REP1999B	TUNER PACK	[M] (RTL)
	REPX0331A	DECK P.C.B.	[M] (RTL)
	REPX0321B	DECK MECHANISM P.C.B.	[M] (RTL)
	REPX0377F	POWER SUPPLY P.C.B.	[M] (RTL)
	REPX0377F	POWER P.C.B.	[M] (RTL)
	REPX0379C	TRANSFORMER P.C.B.	[M] (RTL)
	REPX0379C	AC INLET P.C.B.	[M] (RTL)
	REPX0379C	VOLTAGE SELECTOR P.C.B.	[M] (RTL)
	REP2578A-N	CD LOADING P.C.B.	[M] (RTL)
	REP2578A-N	CD DETECT P.C.B.	[M] (RTL)
	REP2578A-N	SPINDLE POSITION P.C.B.	[M] (RTL)
		INTEGRATED CIRCUITS	
IC1	C0GAM0000005	IC MOTOR DRIVE	[M]
IC2	C0CBADG00005	IC 5V REGULATOR	[M]
IC3	C0DBAMH00009	IC POWER SUPPLY	[M]
IC4	C0DBAMH00009	IC POWER SUPPLY	[M]
IC5	C0DBZHE00017	IC POWER SUPPLY	[M]
IC6	C0CBADG00005	IC 5V REGULATOR	[M]
IC8	C0DBCFG00004	IC 1.5V REGULATOR	[M]
IC9	C0CBADG00005	IC 5V REGULATOR	[M]
IC50	C9ZB00000377	IC VIDEO BUFFER	[M]
IC101	LA1833NMNTLM	IC IF & MPX IC	[M]
IC102	LC72131MDTRM	IC PLL	[M]
IC301	C0JZAS000004	IC ANALOG SWITCH	[M]
IC302	KIA4558FEL	IC DUAL OP-AMP	[M]

Ref. No.	Part No.	Part Name & Description	Remarks
IC306	KIA4558FEL	IC DUAL OP-AMP	[M]
IC307	C1BB00000782	IC 6-CHANNEL VOLUME	[M]
IC308	C0AABB000117	IC OP-AMP	[M]
IC500	RSN312H24-P	IC POWER HIC	[M]
IC501	C5BA00000113	IC VOLTAGE REGULATOR	[M]
IC600	C2BBHF000076	IC MICROPROCESSOR	[M]
IC601	C1BB00000574	IC I/O EXPANDER	[M]
IC603	C1BB0000086	IC SPECTRUM ANALYZER	[M]
IC604	C1BB00000574	IC I/O EXPANDER	[M]
IC700	C2HBZC000013	IC DSP	[M]
IC701	M62456FPE1	IC DIGITAL SOUND CONTROLLER	[M]
IC702	C1BB00000801	IC KARAOKE	[M]
IC703	C1BB00000574	IC I/O EXPANDER	[M]
IC951	CNB13030R2AU	IC PHOTO INTERRUPTER	[M]
IC971	CNB13030R2AU	IC PHOTO INTERRUPTER	[M]
IC1001	AN7348S-E1	IC P.B EQ/REC AMP/ ALC/TPS AMP	[M]
IC1004	C1AA00000612	IC R/P SELECT	[M]
IC2501	C0GBG0000033	IC MOTOR DRIVE	[M]
IC3001	MN2DS0002AP1	IC AV DECODER	[M]
IC3051	C3ABPJ000017	IC 64M SDRAM	[M]
IC4201	C0FBK0000035	IC 2CH D/A CONVERTER	[M]
IC6201	C0EBE0000070	IC RESET	[M]
IC6251	C0CBCBE00003	IC REGULATOR	[M]
IC6261	C0JBAA000001	IC INVERTER	[M]
IC6262	C0JBAA000001	IC INVERTER	[M]
IC6301	RFKFMV71W160	IC 16M FLASH	[SPC]
IC6561	C1DB00000980	IC CLOCK GENERATOR	[M]
		TRANSISTORS	
Q1	2SK544F-AC	TRANSISTOR	[M]
Q1	B1GACFGG0004	TRANSISTOR	[M]
Q2	2SC2786MTA	TRANSISTOR	[M]
Q3	2SC2787FL1TA	TRANSISTOR	[M]
Q4	2SC2787FL1TA	TRANSISTOR	[M]
Q4	B1BBCF000006	TRANSISTOR	[M]
Q5	B1ADCF000001	TRANSISTOR	[M]

Ref. No.	Part No.	Part Name & Description	Remarks
Q6	B1GDCFJ0023	TRANSISTOR	[M]
Q7	B1GBCFJ0021	TRANSISTOR	[M]
Q8	B1GDCFGA0014	TRANSISTOR	[M]
Q15	B1GBCFJ0021	TRANSISTOR	[M]
Q16	B1GBCFJ0021	TRANSISTOR	[M]
Q17	B1GBCFJ0021	TRANSISTOR	[M]
Q18	B1GBCFJ0021	TRANSISTOR	[M]
Q52	B1GBCFJ0021	TRANSISTOR	[M]
Q100	KRC102MTA	TRANSISTOR	[M]
Q101	2SC2058SPTA	TRANSISTOR	[M]
Q101	KTAL2710YTA	TRANSISTOR	[M]
Q106	B1GCCFJ0015	TRANSISTOR	[M]
Q300	B1GFGCAA0001	TRANSISTOR	[M]
Q301	B1GDCFGA0014	TRANSISTOR	[M]
Q308	B1GFGCAA0001	TRANSISTOR	[M]
Q312	B1GFGCAA0001	TRANSISTOR	[M]
Q314	B1GDCFGA0014	TRANSISTOR	[M]
Q317	B1GDCFGA0014	TRANSISTOR	[M]
Q321	B1ABCF000131	TRANSISTOR	[M]
Q370	B1ADCF000001	TRANSISTOR	[M]
Q371	2SD0592ARA	TRANSISTOR	[M]
Q372	B1ADCF000001	TRANSISTOR	[M]
Q373	2SD0592ARA	TRANSISTOR	[M]
Q374	B1ADCF000001	TRANSISTOR	[M]
Q375	B1ABCF000011	TRANSISTOR	[M]
Q520	KTC3199GRTA	TRANSISTOR	[M]
Q521	KTC3199GRTA	TRANSISTOR	[M]
Q522	B1AAGC000007	TRANSISTOR	[M]
Q540	B1BCCG000021	TRANSISTOR	[M]
Q541	2SD1859QRTV2	TRANSISTOR	[M]
Q542	B1BACG000009	TRANSISTOR	[M]
Q543	B1ACCF000063	TRANSISTOR	[M]
Q544	B1ACCF000063	TRANSISTOR	[M]
Q545	B1ACCL000012	TRANSISTOR	[M]
Q546	B1ACCL000010	TRANSISTOR	[M]
Q547	KTC3199GRTA	TRANSISTOR	[M]
Q548	KTC3199GRTA	TRANSISTOR	[M]
Q549	KTC3199GRTA	TRANSISTOR	[M]
Q550	B1GCCFJ0015	TRANSISTOR	[M]
Q600	B1GACFLL0007	TRANSISTOR	[M]
Q603	B1ACCF000063	TRANSISTOR	[M]
Q604	B1ACCF000063	TRANSISTOR	[M]
Q605	KRC102MTA	TRANSISTOR	[M]
Q606	KTC3199GRTA	TRANSISTOR	[M]
Q607	2SC1740SSTA	TRANSISTOR	[M]
Q608	B1GCCFJ0015	TRANSISTOR	[M]
Q609	B1GCCFJ0015	TRANSISTOR	[M]
Q610	KTC3199GRTA	TRANSISTOR	[M]
Q611	KTC3199GRTA	TRANSISTOR	[M]
Q612	KTC3199GRTA	TRANSISTOR	[M]
Q613	KTC3199GRTA	TRANSISTOR	[M]
Q614	KTAL2710YTA	TRANSISTOR	[M]
Q615	KTAL2710YTA	TRANSISTOR	[M]
Q616	KRC102MTA	TRANSISTOR	[M]
Q700	B1GDCFGG0021	TRANSISTOR	[M]
Q701	B1GBCFGG0023	TRANSISTOR	[M]
Q801	B1GBCFJA0015	TRANSISTOR	[M]
Q900	2SC1740SSTA	TRANSISTOR	[M]
Q950	2SB621ARSTA	TRANSISTOR	[M]
Q951	2SD21370PA	TRANSISTOR	[M]
Q952	B1AAGC000007	TRANSISTOR	[M]
Q953	B1AAGC000007	TRANSISTOR	[M]
Q1001	B1ABCF000131	TRANSISTOR	[M]
Q1003	B1AAGC000007	TRANSISTOR	[M]
Q1004	B1AAGC000007	TRANSISTOR	[M]
Q1005	B1AAGC000007	TRANSISTOR	[M]
Q1006	B1GBCFNA0019	TRANSISTOR	[M]
Q1007	B1ABCF000131	TRANSISTOR	[M]
Q1012	B1ABEB000001	TRANSISTOR	[M]
Q1013	B1ABEB000001	TRANSISTOR	[M]
Q1014	B1ABCF000011	TRANSISTOR	[M]
Q1015	B1ABCF000011	TRANSISTOR	[M]
Q1016	B1GDCFJ0023	TRANSISTOR	[M]
Q1017	B1AARC000002	TRANSISTOR	[M]

Ref. No.	Part No.	Part Name & Description	Remarks
Q1020	B1ABEB000001	TRANSISTOR	[M]
Q1021	B1ABEB000001	TRANSISTOR	[M]
Q5111	B1BDBF000004	TRANSISTOR	[M]
Q5115	B1BDBF000004	TRANSISTOR	[M]
Q5211	UNR212100L	TRANSISTOR	[M]
Q5221	2SD1819A0L	TRANSISTOR	[M]
Q5225	2SD1819A0L	TRANSISTOR	[M]
QR2045	UNR511M00L	CHIP TRANSISTOR	[M]
		DIODES	
D1	GP1S94	PHOTO INTERRUPTER	[M]
D1	SVC211SPA-AL	DIODE	[M]
D2	B0BA4R600003	DIODE	[M]
D2	SVC211SPA-AL	DIODE	[M]
D3	SVC211SPA-AL	DIODE	[M]
D6	B0JCPC000004	DIODE	[M]
D7	B0JCPC000004	DIODE	[M]
D8	B0BC7R500001	DIODE	[M]
D9	B0BC7R500001	DIODE	[M]
D10	B0EAKM000117	DIODE	[M]
D11	B0BC013A0007	DIODE	[M]
D12	B0JCPC000004	DIODE	[M]
D20	B0ACCK000005	DIODE	[M]
D21	B0ACCK000005	DIODE	[M]
D22	B0ACCK000005	DIODE	[M]
D100	B0EAKM000117	DIODE	[M]
D101	B0BC5R000009	DIODE	[M]
D201	B0ACCK000005	DIODE	[M]
D301	B0BC5R000009	DIODE	[M]
D303	B0BC5R000009	DIODE	[M]
D306	B0BC7R500001	DIODE	[M]
D307	B0BC7R500001	DIODE	[M]
D308	B0ACCK000005	DIODE	[M]
D309	B0ACCK000005	DIODE	[M]
D310	B0ACCK000005	DIODE	[M]
D311	B0ACCK000005	DIODE	[M]
D312	B0ACCK000005	DIODE	[M]
D313	B0ACCK000005	DIODE	[M]
D314	B0ACCK000005	DIODE	[M]
D315	B0ACCK000005	DIODE	[M]
D370	B0ACCK000005	DIODE	[M]
D371	B0BC01000014	DIODE	[M]
D374	B0EAKM000117	DIODE	[M]
D375	B0ACCK000005	DIODE	[M]
D376	B0ACCK000005	DIODE	[M]
D377	B0ACCK000005	DIODE	[M]
D401	B0ACCK000005	DIODE	[M]
D500	B0JAPG000019	DIODE	[M]
D501	B0JAPG000019	DIODE	[M]
D520	B0BA01900005	DIODE	[M]
D521	B0BA01900005	DIODE	[M]
D522	B0BA01900005	DIODE	[M]
D523	B0BA01900005	DIODE	[M]
D524	B0EAKM000117	DIODE	[M]
D525	B0EAKM000117	DIODE	[M]
D526	B0AACK000004	DIODE	[M]
D527	B0AACK000004	DIODE	[M]
D528	B0EAKM000117	DIODE	[M]
D529	B0EAKM000117	DIODE	[M]
D530	B0EAKM000117	DIODE	[M]
D540	B0BA02400029	DIODE	[M]
D541	B0BA01100004	DIODE	[M]
D542	B0BA01100004	DIODE	[M]
D543	B0AACK000004	DIODE	[M]
D544	B0AACK000004	DIODE	[M]
D545	B0AACK000004	DIODE	[M]
D600	SLI325URCT31	DIODE	[M]
D603	B0AACK000004	DIODE	[M]
D604	B0AACK000004	DIODE	[M]
D610	MA2C72300F	DIODE	[M]
D611	B0ACCE000003	DIODE	[M]
D612	B0ACCE000003	DIODE	[M]

Ref. No.	Part No.	Part Name & Description	Remarks
D613	B0BA5R600016	DIODE	[M]
D614	B0ACCE000003	DIODE	[M]
D615	B0ACCE000003	DIODE	[M]
D616	MA2C700A0F	DIODE	[M]
D617	B0AACK000004	DIODE	[M]
D620	B0AACK000004	DIODE	[M]
D621	B3ACA0000234	DIODE	[M]
D622	B3ACA0000234	DIODE	[M]
D623	B3ACA0000234	DIODE	[M]
D624	B3ACA0000234	DIODE	[M]
D625	B3ACA0000234	DIODE	[M]
D626	B3ACA0000234	DIODE	[M]
D628	B3ACA0000234	DIODE	[M]
D629	B3ACA0000234	DIODE	[M]
D630	B3ACA0000234	DIODE	[M]
D631	B3ACA0000234	DIODE	[M]
D632	B0AACK000004	DIODE	[M]
D633	B0BA5R000004	DIODE	[M]
D700	B0ACCK000005	DIODE	[M]
D701	B0ACCK000005	DIODE	[M]
D805	B0ACCK000005	DIODE	[M]
D806	B0ADCJ000020	DIODE	[M]
D807	B0ACCK000005	DIODE	[M]
D950	B0EAKM000126	DIODE	[M]
D951	B0HARM000017	DIODE	[M]
D951	MA2C16500E	DIODE	[M]
D952	B0HARM000017	DIODE	[M]
D953	B0HARM000017	DIODE	[M]
D954	B0HARM000017	DIODE	[M]
D957	B0FBAM000009	DIODE	[M]
D958	B0FBAM000009	DIODE	[M]
D959	B0EAKM000126	DIODE	[M]
D960	B0EAKM000126	DIODE	[M]
D961	B0BA03100002	DIODE	[M]
D962	B0EAKM000125	DIODE	[M]
D963	B0EAKM000125	DIODE	[M]
D964	B0EAKM000125	DIODE	[M]
D965	B0BA7R000005	DIODE	[M]
D966	B0EAKM000125	DIODE	[M]
D967	B0AACK000004	DIODE	[M]
D968	B0EAKM000125	DIODE	[M]
D969	B0HARM000017	DIODE	[M]
D970	B0EBNL000004	DIODE	[M]
D971	B0HARM000017	DIODE	[M]
D971	MA2C16500E	DIODE	[M]
D972	B0HARM000017	DIODE	[M]
D973	B0HARM000017	DIODE	[M]
D977	B0AACK000004	DIODE	[M]
D979	B0AACK000004	DIODE	[M]
D984	B0AACK000004	DIODE	[M]
D987	B0AACK000004	DIODE	[M]
D1003	B0ACCK000005	DIODE	[M]
D1004	B0BC3R700004	DIODE	[M]
D5151	MA2J72800L	DIODE	[M]
		CHIP INDUCTORS	
LB3001	J0JHC0000045	CHIP INDUCTOR	[M]
LB3002	J0JHC0000045	CHIP INDUCTOR	[M]
LB3201	D0GB101JA002	100 1/16W	[M]
LB3202	D0GB101JA002	100 1/16W	[M]
LB3203	D0GB101JA002	100 1/16W	[M]
LB3204	J0JCC0000119	CHIP INDUCTOR	[M]
LB3205	J0JCC0000119	CHIP INDUCTOR	[M]
LB3206	J0JCC0000119	CHIP INDUCTOR	[M]
LB3207	J0JCC0000119	CHIP INDUCTOR	[M]
LB3208	J0JCC0000119	CHIP INDUCTOR	[M]
LB3209	D0GB101JA002	100 1/16W	[M]
LB4200	J0JBC0000015	CHIP INDUCTOR	[M]
LB4201	J0JCC0000119	CHIP INDUCTOR	[M]
LB4214	J0JCC0000119	CHIP INDUCTOR	[M]
LB4215	J0JCC0000119	CHIP INDUCTOR	[M]
LB4216	J0JBC0000015	CHIP INDUCTOR	[M]
LB4217	J0JBC0000015	CHIP INDUCTOR	[M]

Ref. No.	Part No.	Part Name & Description	Remarks
LB5101	J0JHC0000045	CHIP INDUCTOR	[M]
LB5105	J0JBC0000015	CHIP INDUCTOR	[M]
LB5106	J0JBC0000015	CHIP INDUCTOR	[M]
LB5201	J0JBC0000015	CHIP INDUCTOR	[M]
LB5204	J0JCC0000119	CHIP INDUCTOR	[M]
LB5205	J0JCC0000119	CHIP INDUCTOR	[M]
LB5206	J0JBC0000015	CHIP INDUCTOR	[M]
LB5207	J0JCC0000119	CHIP INDUCTOR	[M]
LB5208	J0JBC0000015	CHIP INDUCTOR	[M]
LB5209	J0JBC0000015	CHIP INDUCTOR	[M]
LB5210	J0JCC0000119	CHIP INDUCTOR	[M]
LB5211	J0JCC0000119	CHIP INDUCTOR	[M]
LB5212	J0JCC0000119	CHIP INDUCTOR	[M]
LB5213	J0JCC0000119	CHIP INDUCTOR	[M]
LB5214	J0JHC0000045	CHIP INDUCTOR	[M]
LB5215	J0JCC0000119	CHIP INDUCTOR	[M]
LB5217	J0JCC0000119	CHIP INDUCTOR	[M]
LB5219	J0JCC0000119	CHIP INDUCTOR	[M]
LB5220	J0JBC0000015	CHIP INDUCTOR	[M]
LB5222	ERJ3GEY0R00V	0 1/16W	[M]
LB5228	J0JBC0000015	CHIP INDUCTOR	[M]
LB5229	J0JBC0000015	CHIP INDUCTOR	[M]
LB5231	J0JHC0000045	CHIP INDUCTOR	[M]
LB5233	J0JHC0000045	CHIP INDUCTOR	[M]
LB5235	J0JBC0000015	CHIP INDUCTOR	[M]
LB6261	J0JBC0000015	CHIP INDUCTOR	[M]
LB6301	J0JHC0000045	CHIP INDUCTOR	[M]
LB6561	J0JBC0000015	CHIP INDUCTOR	[M]
LB6562	J0JCC0000167	CHIP INDUCTOR	[M]
LB6564	J0JCC0000077	CHIP BEEZ	[M]
LB6566	J0JBC0000015	CHIP INDUCTOR	[M]
LB6567	J0JCC0000119	CHIP INDUCTOR	[M]
		VARIABLE RESISTORS	
VR600	EVEKE2F3524M	VR VOLUME JOG	[M]
VR602	EVUF2AF25B14	VR MIC VOLUME	[M]
		SWITCHES	
S501	K0AFZA000005	SW VOLTAGE SELECTOR	[M] 
S601	EVQ21405R	SW POWER	[M]
S602	EVQ21405R	SW DOLBY PRO LOGIC	[M]
S603	EVQ21405R	SW SUPER SURROUND	[M]
S604	EVQ21405R	SW DECK 1/2	[M]
S605	EVQ21405R	SW REC	[M]
S606	EVQ21405R	SW CD OPEN/CLOSE	[M]
S607	EVQ21405R	SW DISC 1	[M]
S608	EVQ21405R	SW DISC 2	[M]
S609	EVQ21405R	SW DISC 3	[M]
S610	EVQ21405R	SW DISC 4	[M]
S611	EVQ21405R	SW DISC 5	[M]
S612	EVQ21405R	SW SSEQ	[M]
S614	EVQ21405R	SW SEQ	[M]
S901	EVQ21405R	SW REW	[M]
S902	EVQ21405R	SW CD PLAY	[M]
S903	EVQ21405R	SW TUNER/BAND	[M]
S904	EVQ21405R	SW FF	[M]
S905	EVQ21405R	SW STOP	[M]
S906	EVQ21405R	SW DECK 2	[M]
S907	EVQ21405R	SW TAPE	[M]
S908	EVQ21405R	SW AUX	[M]
S909	EVQ21405R	SW DECK 1	[M]
S910	EVQ21405R	SW DISPLAY	[M]
S951	RSH1A018-3U	SW MODE	[M]
S952	RSH1A019-2U	SW HALF	[M]
S971	RSH1A018-3U	SW MODE	[M]
S972	RSH1A019-2U	SW HALF	[M]
S974	RSH1A019-2U	SW RECINH R	[M]
S975	RSH1A019-2U	SW RECINH F	[M]
SW1	RSH1A032-U	SW PUSH	[M]
SW2	RSH1A032-U	SW PUSH	[M]
SW3	RSH1A005-1U	OPEN SW	[M]

Ref. No.	Part No.	Part Name & Description	Remarks
SW4	RSH1A91ZA-A	SW CD	[M]
SW5	K0L1BB000005	SW LOAD	[M]
SW2501	RSH1A048-A	SW LEAF	[M]
		CONNECTORS	
CN1	K1MN14A00049	14P FFC CONNECTOR	[M]
CN300	K1KB12B00036	12P CONNECTOR	[M]
CN301	K1KB12B00036	12P CONNECTOR	[M]
CN302	RJT029W03VT	26P CONNECTOR	[M]
CN303	K1MN26A00022	CONNECTOR	[M]
CN304	RJS2A5615	15P FFC CONNECTOR	[M]
CN305	K1KA02A00008	2P CONNECTOR	[M]
CN306	K1MN17A00025	17P CONNECTOR	[M]
CN307	K1KA11A00093	11P CONNECTOR	[M]
CN309	RJS1A9414-1	14P CONNECTOR	[M]
CN601	K1MN19A00026	19P FFC CONNECTOR	[M]
CN602	K1MN30A00046	30P FFC CONNECTOR	[M]
CN900	RJT066H08B	8P CONNECTOR	[M]
CN950	RJT119W10V	10P CONNECTOR	[M]
CN951	RJT119W07V	7P CONNECTOR	[M]
CN953	RJT029W03VT	CONNECTOR	[M]
CN954	K1KA07A00058	7P CONNECTOR	[M]
CN956	K1KB12B00036	12P CONNECTOR	[M]
CN957	K1KB12B00036	12P CONNECTOR	[M]
CN958	RJT119W15V	15P WIRE HOLDER	[M]
CN971	K1MN10B00104	10P FFC CONNECTOR	[M]
CN1001	K1MN14B00058	14P CONNECTOR	[M]
CP100	K1KB11A00020	11P CONNECTOR	[M]
CP500	K1KA12A00184	12P CONNECTOR	[M]
CP501	K1KA12A00184	12P CONNECTOR	[M]
CP502	K1KA12A00184	12P CONNECTOR	[M]
CP503	K1KA12A00184	12P CONNECTOR	[M]
CP600	K1MN10B00104	10P FFC CONNECTOR	[M]
CP601	RJS1A9419-1	19P CONNECTOR	[M]
CP602	K1MN30A00046	30P FFC CONNECTOR	[M]
CP603	RJS1A9414-1	14P CONNECTOR	[M]
CP702	K1KB11A00020	11P CONNECTOR	[M]
CP703	K1KA11A00093	11P CONNECTOR	[M]
CP900	RJU066H08	8P CONNECTOR	[M]
CS1001	RJS1A6805-J	5P CONNECTOR	[M]
CS1002	RJS1A6805-J	5P CONNECTOR	[M]
FP2501	K1MN04B00036	4P CONNECTOR	[M]
FP3202	K1MN17B00041	17P CONNECTOR	[M]
FP3203	K1MN15B00037	15P CONNECTOR	[M]
FP4202	K1MN26B00037	26P CONNECTOR	[M]
FP5101	K1MN30B00098	30P CONNECTOR	[M]
FP5102	K1MN50B00010	50P CONNECTOR	[M]
FP5201	K1MN50B00010	50P CONNECTOR	[M]
		COILS & TRANSFORMERS	
L1	RLQZP1R2KT-Y	INDUCTOR	[M]
L2	RLQZPR47KT-Y	INDUCTOR	[M]
L6	G0A101G00022	COIL	[M]
L9	G0A101G00022	COIL	[M]
L10	G0A100G00005	INDUCTOR	[M]
L11	G0A100G00005	INDUCTOR	[M]
L12	G0A100G00005	INDUCTOR	[M]
L13	J0JBC0000019	CHIP INDUCTOR	[M]
L50	ELESN220JA	COIL	[M]
L51	ELJFCR39KF	CHIP INDUCTOR	[M]
L52	VLP0145-T	CHIP INDUCTOR	[M]
L53	VLP0145-T	CHIP INDUCTOR	[M]
L54	VLP0145-T	CHIP INDUCTOR	[M]
L55	VLP0145-T	CHIP INDUCTOR	[M]
L56	VLP0145-T	CHIP INDUCTOR	[M]
L57	VLP0145-T	CHIP INDUCTOR	[M]
L58	J0JBC0000019	CHIP INDUCTOR	[M]
L59	J0JBC0000019	CHIP INDUCTOR	[M]
L60	J0JBC0000019	CHIP INDUCTOR	[M]

Ref. No.	Part No.	Part Name & Description	Remarks
L64	J0JBC0000041	CHIP INDUCTOR	[M]
L65	J0JBC0000041	CHIP INDUCTOR	[M]
L66	J0JBC0000041	CHIP INDUCTOR	[M]
L67	J0JBC0000041	CHIP INDUCTOR	[M]
L370	G0C221KA0007	COIL	[M]
L500	RLQZ371	LINE FILTER	[M] △
L600	RLQB3R3KT-1Y	COIL	[M]
L601	G0C100JA0030	INDUCTOR	[M]
L602	RLQZP101KT-Y	AXIAL COIL	[M]
L603	RLQZP101KT-Y	AXIAL COIL	[M]
L604	RLQZP100KT-Y	AXIAL COIL	[M]
L605	RLQZP100KT-Y	AXIAL COIL	[M]
L607	G0C3R3JA0030	COIL	[M]
L608	G0C100JA0030	INDUCTOR	[M]
L609	RLQZP100KT-Y	AXIAL COIL	[M]
L610	G0C470JA0030	RF CHOKE COIL	[M]
L611	G0C470JA0030	RF CHOKE COIL	[M]
L700	G0C100JA0030	INDUCTOR	[M]
L1001	G0C470JA0030	RF CHOKE COIL	[M]
L1002	7L1A62N	BIAS OSC COIL	[M]
L2001	G1C100K00020	CHIP INDUCTOR	[M]
L2002	G1C100K00020	CHIP INDUCTOR	[M]
L3101	G1C100K00020	CHIP INDUCTOR	[M]
L4211	G1C220KA0038	CHIP INDUCTOR	[M]
L5101	ELJEA100KF	CHIP INDUCTOR	[M]
L5221	G1C100K00020	CHIP INDUCTOR	[M]
L6561	G1C220KA0038	CHIP INDUCTOR	[M]
L6562	G1C220KA0038	CHIP INDUCTOR	[M]
T501	G4C8AGC00001	MAIN TRANSFORMER	[M] △
T502	G4C2AAJ00005	BACK-UP TRANSFORMER	[M] △
		COMPONENT COMBINATIONS	
Z101	RLA2Z007-T	COIL	[M]
Z102	G2BAE0000003	AM IF BLOCK	[M]
Z501	ERZV10V511CS	ZENER	[M] △
Z600	B3RAB0000025	REMOTE SENSOR	[M]
Z971	RGSD12A1445T	RADA RESISTOR	[M]
BS4	RMBX0031	GROUNDING SPRING	[M]
		CERAMIC FILTERS	
CF201	RLFFETWND01M	FM CF	[M]
CF202	RLFFETWND01M	FM CF	[M]
		RELAY	
RL502	RSY0040M-0	PRIMARY RELAY	[M] △
		OSCILLATORS	
X102	RLFDFT22DD	DISCRIMINATOR	[M]
X103	RSXC7M20S05T	CRYSTAL OSCILLATOR	[M]
X601	H2A100500006	RESONATOR	[M]
X602	H0A327200073	CRYSTAL OSCILLAOTR	[M]
X700	H0H368600001	CRYSTAL OSCILLAOTR	[M]
X6501	H0J368600003	CRYSTAL OSCILLAOTR	[M]
		DISPLAY TUBE	
FL600	A2BD00000071	FL DISPLAY	[M]
FL4201	F1H0J1050018	1 6.3V	[M]
FL6251	F1J1E1040022	0.1 25V	[M]
FL6252	F1H0J1050018	1 6.3V	[M]
FL6253	F1H0J1050018	1 6.3V	[M]
FL6254	F1H0J1050018	1 6.3V	[M]
		FUSES	
F1	K5D312BK0010	3.15A FUSE	[M] △
F2	K5D162BK0005	1.6A FUSE	[M] △
F3	K5D632BK0007	6.3A FUSE	[M] △

Ref. No.	Part No.	Part Name & Description	Remarks
F4	K5D632BK0007	6.3A FUSE	[M] △
		FUSE HOLDERS	
FC1	EYF52BC	FUSE HOLDER	[M]
FC2	EYF52BC	FUSE HOLDER	[M]
FC3	EYF52BC	FUSE HOLDER	[M]
FC4	EYF52BC	FUSE HOLDER	[M]
FC5	EYF52BC	FUSE HOLDER	[M]
FC6	EYF52BC	FUSE HOLDER	[M]
FC7	EYF52BC	FUSE HOLDER	[M]
FC8	EYF52BC	FUSE HOLDER	[M]
		FUSE PROTECTORS	
FP950	K5G402AA0002	FUSE PROTECTOR	[M] △
FP951	K5G102AA0002	FUSE PROTECTOR	[M] △
		HOLDERS	
H500	K1YF15000004	15P WIRE HOLDER	[M]
H600	RMR0316	7P WIRE HOLDER	[M]
H950	K1YF10000006	10P WIRE HOLDER	[M]
H951	K1YF07000003	7P WIRE HOLDER	[M]
		JACKS	
JK101	RJH5414-1	JK ANTENNA	[M]
JK301	K1CB105B0039	JK S-VIDEO	[M]
JK302	K2HA408B0061	JK COMP/VIDEO	[M]
JK304	RJH2405L	JK 4P RCA	[M]
JK305	K7AABB000002	JK OPTICAL IN	[M]
JK500	K2AA2B000004	JK AC INLET	[M] △
JK600	K2HC103A0023	JK SMALL SIGN	[M]
JK601	K2HC103A0023	JK SMALL SIGN	[M]
JK900	K2HC103A0023	JK SMALL SIGN	[M]
JK953	K4BC04B00075	JK SPEAKER	[M]
		EARTH TERMINAL	
E500	SNE1004-2	EARTH TERMINAL	[M]
		WIRE	
W1	REE0971	WIRE (YELLOW)	[M]
W1	REZ1023-1	4P WIRE	[M]
W2	REE0972	WIRE (VIOLET)	[M]
W2	REZ1024	3P WIRE	[M]
W3	REEX0059	WIRE (BLUE)	[M]
W4	REEX0061	WIRE (BLACK)	[M]
W5	REEX0057	WIRE (ORANGE)	[M]
W6	REE0973	WIRE (BROWN)	[M]
W7	REE0974	WIRE (LIGHT BLUE)	[M]
W500	REXX0304	15P FLAT WIRE	[M]
W600	REXX0295	7P FLAT WIRE	[M]
W601	REXX0346	2P WIRE	[M]
W950	REXX0297	10P FLAT WIRE	[M]
W951	REXX0296	7P FLAT WIRE	[M]
W952	REXX0206	2P STANDBY WIRE	[M]
W953	REXX0380-1	2P WIRE	[M]
W1002	RWJ0102050CK	M/MECHA MOTOR WIRE	[M]
		EARTH PLATE	
PL1	RJR0199	JUMPER PLATE	[M]
		CHIP RESISTORS	
W2	ERJ3GEY0R00V	0 1/16W	[M]
W3	ERJ3GEY0R00V	0 1/16W	[M]
W4	ERJ3GEY0R00V	0 1/16W	[M]
W5	ERJ3GEY0R00V	0 1/16W	[M]
W6	ERJ3GEY0R00V	0 1/16W	[M]
W8	ERJ3GEY0R00V	0 1/16W	[M]

Ref. No.	Part No.	Part Name & Description	Remarks
W9	ERJ3GEY0R00V	0 1/16W	[M]
W10	ERJ3GEY0R00V	0 1/16W	[M]
W11	ERJ3GEY0R00V	0 1/16W	[M]
W14	ERJ3GEY0R00V	0 1/16W	[M]
W15	ERJ3GEY0R00V	0 1/16W	[M]
W16	ERJ3GEY0R00V	0 1/16W	[M]
W18	ERJ3GEY0R00V	0 1/16W	[M]
W20	ERJ3GEY0R00V	0 1/16W	[M]
W22	ERJ3GEY0R00V	0 1/16W	[M]
W23	ERJ3GEY0R00V	0 1/16W	[M]
W25	ERJ3GEY0R00V	0 1/16W	[M]
W26	ERJ3GEY0R00V	0 1/16W	[M]
W27	ERJ3GEY0R00V	0 1/16W	[M]
W30	ERJ3GEY0R00V	0 1/16W	[M]
W31	ERJ3GEY0R00V	0 1/16W	[M]
W32	ERJ3GEY0R00V	0 1/16W	[M]
W33	ERJ3GEY0R00V	0 1/16W	[M]
W34	ERJ3GEY0R00V	0 1/16W	[M]
W35	ERJ3GEY0R00V	0 1/16W	[M]
W36	ERJ3GEY0R00V	0 1/16W	[M]
W38	ERJ3GEY0R00V	0 1/16W	[M]
W39	ERJ3GEY0R00V	0 1/16W	[M]
W40	ERJ3GEY0R00V	0 1/16W	[M]
W3001	ERJ14Y0R00H	0 1/16W	[M]
W3002	ERJ14Y0R00H	0 1/16W	[M]
W3003	ERJ12Y0R00H	0 1/16W	[M]
		RESISTORS	
R1	ERDS2TJ102T	1K 1/4W	[M]
R1	ERDS2TJ104T	100K 1/4W	[M]
R1	ERJ3GEY0R00V	0 1/16W	[M]
R2	ERDS2TJ104T	100K 1/4W	[M]
R2	ERJ3GEY0R00V	0 1/16W	[M]
R3	ERDS2TJ221T	220 1/4W	[M]
R3	ERJ3GEY0R00V	0 1/16W	[M]
R4	ERDS2TJ104T	100K 1/4W	[M]
R4	ERJ3GEY0R00V	0 1/16W	[M]
R5	ERDS2TJ564T	560K 1/4W	[M]
R6	DOGB1R0JA002	1 1/16W	[M]
R6	ERDS2TJ391T	390 1/4W	[M]
R7	DOGB1R0JA002	1 1/16W	[M]
R7	ERDS2TJ272T	2.7K 1/4W	[M]
R8	DOGB1R0JA002	1 1/16W	[M]
R8	ERDS2TJ684T	680K 1/4W	[M]
R9	DOGB1R0JA002	1 1/16W	[M]
R9	ERDS2TJ391T	390 1/4W	[M]
R10	DOGB1R0JA002	1 1/16W	[M]
R10	ERDS2TJ391T	390 1/4W	[M]
R11	ERDS2TJ684T	680K 1/4W	[M]
R14	ERJ3GEYJ102V	1K 1/16W	[M]
R15	ERJ3GEYJ102V	1K 1/16W	[M]
R16	ERJ3GEYJ102V	1K 1/16W	[M]
R17	DOGB392JA002	3.9K 1/16W	[M]
R18	ERJ3GEYJ472V	4.7K 1/16W	[M]
R19	ERJ3GEYJ472V	4.7K 1/16W	[M]
R21	DOGB1R0JA002	1 1/16W	[M]
R22	DOGB1R0JA002	1 1/16W	[M]
R24	ERJ3GEYJ102V	1K 1/16W	[M]
R25	DOGB100JA002	10 1/16W	[M]
R26	DOGB271JA002	270 1/16W	[M]
R35	ERJ3GEYJ103V	10K 1/16W	[M]
R36	ERJ3GEYJ103V	10K 1/16W	[M]
R54	ERJ3GEYJ222V	2.2K 1/16W	[M]
R55	ERJ3GEYJ103V	10K 1/16W	[M]
R56	DOHB750ZA003	75 3W	[M]
R57	DOHB750ZA003	75 3W	[M]
R58	DOHB750ZA003	75 3W	[M]
R59	DOHB750ZA003	75 3W	[M]
R60	DOHB750ZA003	75 3W	[M]
R61	ERJ3GEYD750V	75 1/16W	[M]
R62	ERJ3GEY0R00V	0 1/16W	[M]
R64	ERJ3GEY0R00V	0 1/16W	[M]
R65	ERJ3GEYJ104V	100K 1/16W	[M]

Ref. No.	Part No.	Part Name & Description	Remarks
R66	ERJ3GEYJ104V	100K 1/16W	[M]
R67	ERJ3GEYJ104V	100K 1/16W	[M]
R68	ERJ3GEYJ104V	100K 1/16W	[M]
R69	ERJ3GEYJ104V	100K 1/16W	[M]
R70	ERJ3GEYJ104V	100K 1/16W	[M]
R72	ERJ3GEYJ472V	4.7K 1/16W	[M]
R73	D0GB1R0JA002	1 1/16W	[M]
R74	D0GB1R0JA002	1 1/16W	[M]
R75	ERJ3GEYJ471V	470 1/16W	[M]
R100	ERJ3GEYJ103V	10K 1/16W	[M]
R101	ERJ3GEY0R00V	0 1/16W	[M]
R101	ERJ3GEYJ103V	10K 1/16W	[M]
R102	ERJ3GEYJ472V	4.7K 1/16W	[M]
R103	D0GB271JA002	270 1/16W	[M]
R103	ERJ3GEYJ103V	10K 1/16W	[M]
R104	ERJ3GEYJ102V	1K 1/16W	[M]
R104	ERJ3GEYJ123V	12K 1/16W	[M]
R105	ERJ3GEYJ223V	22K 1/16W	[M]
R105	ERJ3GEYJ471V	470 1/16W	[M]
R106	ERJ3GEYJ102V	1K 1/16W	[M]
R106	ERJ3GEYJ474V	470K 1/16W	[M]
R107	ERJ3GEYJ103V	10K 1/16W	[M]
R107	ERJ3GEYJ331V	330 1/16W	[M]
R108	D0GB273JA002	27K 1/16W	[M]
R109	ERJ3GEYJ123V	12K 1/16W	[M]
R110	ERJ3GEYJ102V	1K 1/16W	[M]
R110	ERJ3GEYJ221V	220 1/16W	[M]
R111	ERJ3GEYJ223V	22K 1/16W	[M]
R111	ERJ3GEYJ391V	390 1/16W	[M]
R112	ERJ3GEYJ104V	100K 1/16W	[M]
R112	ERJ3GEYJ123V	12K 1/16W	[M]
R113	ERJ3GEYJ103V	10K 1/16W	[M]
R114	D0GB562JA002	5.6K 1/16W	[M]
R115	ERJ3GEYJ561V	560 1/16W	[M]
R116	ERJ3GEYJ102V	1K 1/16W	[M]
R117	ERJ3GEYJ473V	47K 1/16W	[M]
R118	D0GB332JA002	3.3K 1/16W	[M]
R119	D0GB332JA002	3.3K 1/16W	[M]
R120	ERJ3GEYJ473V	47K 1/16W	[M]
R121	ERJ3GEYJ223V	22K 1/16W	[M]
R122	D0GB272JA002	2.7K 1/16W	[M]
R123	D0GB683JA002	68K 1/16W	[M]
R124	ERJ3GEYJ330V	33 1/16W	[M]
R125	ERJ3GEYJ471V	470 1/16W	[M]
R126	ERJ3GEYJ102V	1K 1/16W	[M]
R127	ERJ3GEYJ471V	470 1/16W	[M]
R128	ERJ3GEYJ820V	82 1/16W	[M]
R129	D0GB273JA002	27K 1/16W	[M]
R130	ERJ3GEYJ103V	10K 1/16W	[M]
R131	D0GB121JA002	120 1/16W	[M]
R132	ERJ3GEYJ103V	10K 1/16W	[M]
R133	ERJ3GEYJ102V	1K 1/16W	[M]
R134	ERJ3GEYJ471V	470 1/16W	[M]
R135	ERJ3GEYJ102V	1K 1/16W	[M]
R136	ERJ3GEYJ102V	1K 1/16W	[M]
R137	ERJ3GEYJ102V	1K 1/16W	[M]
R138	D0GB332JA002	3.3K 1/16W	[M]
R141	ERJ3GEYJ682V	6.8K 1/16W	[M]
R142	ERJ3GEYJ682V	6.8K 1/16W	[M]
R143	ERJ3GEYJ223V	22K 1/16W	[M]
R144	D0GB121JA002	120 1/16W	[M]
R145	ERJ3GEYJ104V	100K 1/16W	[M]
R146	ERJ3GEYJ104V	100K 1/16W	[M]
R151	ERJ3GEYJ820V	82 1/16W	[M]
R152	ERJ3GEY0R00V	0 1/16W	[M]
R201	ERJ3GEYJ473V	47K 1/16W	[M]
R202	D0GB100JA002	10 1/16W	[M]
R203	ERJ3GEYJ103V	10K 1/16W	[M]
R204	D0GB562JA002	5.6K 1/16W	[M]
R205	ERJ3GEYJ473V	47K 1/16W	[M]
R206	ERJ3GEYJ471V	470 1/16W	[M]
R209	ERJ3GEY0R00V	0 1/16W	[M]
R210	ERJ3GEYJ104V	100K 1/16W	[M]
R211	ERJ3GEYJ102V	1K 1/16W	[M]

Ref. No.	Part No.	Part Name & Description	Remarks
R212	D0GB272JA002	2.7K 1/16W	[M]
R213	ERJ3GEY0R00V	0 1/16W	[M]
R214	ERJ3GEYJ103V	10K 1/16W	[M]
R215	ERJ3GEYJ104V	100K 1/16W	[M]
R216	ERJ3GEYJ473V	47K 1/16W	[M]
R219	ERJ3GEYJ103V	10K 1/16W	[M]
R222	ERJ3GEYJ822V	8.2K 1/16W	[M]
R227	ERJ3GEYJ102V	1K 1/16W	[M]
R233	D0GB271JA002	270 1/16W	[M]
R234	D0GB392JA002	3.9K 1/16W	[M]
R235	ERJ3GEYJ223V	22K 1/16W	[M]
R236	D0GB392JA002	3.9K 1/16W	[M]
R237	D0GB333JA002	33K 1/16W	[M]
R238	ERJ3GEYJ102V	1K 1/16W	[M]
R241	D0GB562JA002	5.6K 1/16W	[M]
R243	D0GB563JA002	56K 1/16W	[M]
R245	ERJ3GEYJ222V	2.2K 1/16W	[M]
R248	D0GB273JA002	27K 1/16W	[M]
R249	D0GB820JA019	82 1/16W	[M]
R250	D0GB820JA019	82 1/16W	[M]
R251	D0GB820JA019	82 1/16W	[M]
R252	D0GB820JA019	82 1/16W	[M]
R253	ERJ3GEYJ472V	4.7K 1/16W	[M]
R254	D0GB100JA002	10 1/16W	[M]
R257	D0GB273JA002	27K 1/16W	[M]
R259	D0GB683JA002	68K 1/16W	[M]
R260	ERJ3GEYJ472V	4.7K 1/16W	[M]
R261	D0GB393JA002	39K 1/16W	[M]
R262	D0GB272JA002	2.7K 1/16W	[M]
R263	ERJ3GEYJ472V	4.7K 1/16W	[M]
R265	D0GB332JA002	3.3K 1/16W	[M]
R266	ERJ3GEYJ334V	330K 1/16W	[M]
R267	ERJ3GEYJ102V	1K 1/16W	[M]
R268	D0GB332JA002	3.3K 1/16W	[M]
R269	ERJ3GEYJ223V	22K 1/16W	[M]
R270	ERJ3GEYJ104V	100K 1/16W	[M]
R272	ERJ3GEYJ104V	100K 1/16W	[M]
R273	ERJ3GEYJ104V	100K 1/16W	[M]
R276	ERJ3GEYJ473V	47K 1/16W	[M]
R301	D0GB273JA002	27K 1/16W	[M]
R302	ERJ3GEYJ102V	1K 1/16W	[M]
R303	ERJ3GEYJ102V	1K 1/16W	[M]
R304	D0GB563JA002	56K 1/16W	[M]
R314	ERJ3GEY0R00V	0 1/16W	[M]
R317	D0GB562JA002	5.6K 1/16W	[M]
R319	D0GB271JA002	270 1/16W	[M]
R320	D0GB271JA002	270 1/16W	[M]
R338	ERJ3GEY0R00V	0 1/16W	[M]
R340	ERJ3GEY0R00V	0 1/16W	[M]
R343	ERJ3GEYJ473V	47K 1/16W	[M]
R344	ERJ3GEYJ473V	47K 1/16W	[M]
R345	ERJ3GEYJ473V	47K 1/16W	[M]
R346	ERJ3GEYJ391V	390 1/16W	[M]
R347	ERJ3GEYJ472V	4.7K 1/16W	[M]
R348	ERJ3GEYJ222V	2.2K 1/16W	[M]
R349	ERJ3GEYJ222V	2.2K 1/16W	[M]
R360	D0GB563JA002	56K 1/16W	[M]
R361	D0GB563JA002	56K 1/16W	[M]
R366	D0GB563JA002	56K 1/16W	[M]
R367	D0GB563JA002	56K 1/16W	[M]
R371	ERJ3GEYJ472V	4.7K 1/16W	[M]
R372	ERJ3GEYJ472V	4.7K 1/16W	[M]
R373	D0GB332JA002	3.3K 1/16W	[M]
R374	ERJ3GEYJ104V	100K 1/16W	[M]
R375	ERJ3GEYJ103V	10K 1/16W	[M]
R376	ERDS1FVJ220T	22 1/2W	[M]
R377	ERJ3GEYJ224V	220K 1/16W	[M]
R378	D0GB101JA002	100 1/16W	[M]
R379	ERJ3GEYJ104V	100K 1/16W	[M]
R381	ERJ3GEYJ225V	2.2M 1/16W	[M]
R385	ERJ3GEYJ2R2V	2.2 1/16W	[M]
R389	ERJ3GEYJ104V	100K 1/16W	[M]
R394	ERJ3GEY0R00V	0 1/16W	[M]
R398	ERJ3GEYJ103V	10K 1/16W	[M]

Ref. No.	Part No.	Part Name & Description	Remarks
R399	ERJ3GEYJ103V	10K 1/16W	[M]
R401	ERJ3GEYJ473V	47K 1/16W	[M]
R402	DOGB100JA002	10 1/16W	[M]
R403	ERJ3GEYJ103V	10K 1/16W	[M]
R404	DOGB562JA002	5.6K 1/16W	[M]
R405	ERJ3GEYJ473V	47K 1/16W	[M]
R406	ERJ3GEYJ471V	470 1/16W	[M]
R409	ERJ3GEY0R00V	0 1/16W	[M]
R410	ERJ3GEYJ104V	100K 1/16W	[M]
R411	ERJ3GEYJ102V	1K 1/16W	[M]
R412	DOGB272JA002	2.7K 1/16W	[M]
R413	ERJ3GEY0R00V	0 1/16W	[M]
R414	ERJ3GEYJ103V	10K 1/16W	[M]
R415	ERJ3GEYJ104V	100K 1/16W	[M]
R416	ERJ3GEYJ473V	47K 1/16W	[M]
R419	ERJ3GEYJ103V	10K 1/16W	[M]
R422	ERJ3GEYJ822V	8.2K 1/16W	[M]
R427	ERJ3GEYJ102V	1K 1/16W	[M]
R433	DOGB271JA002	270 1/16W	[M]
R434	DOGB392JA002	3.9K 1/16W	[M]
R435	ERJ3GEYJ223V	22K 1/16W	[M]
R436	DOGB392JA002	3.9K 1/16W	[M]
R437	DOGB333JA002	33K 1/16W	[M]
R438	ERJ3GEYJ102V	1K 1/16W	[M]
R441	DOGB562JA002	5.6K 1/16W	[M]
R443	DOGB563JA002	56K 1/16W	[M]
R445	ERJ3GEYJ222V	2.2K 1/16W	[M]
R448	DOGB273JA002	27K 1/16W	[M]
R449	DOGB820JA019	82 1/16W	[M]
R450	DOGB820JA019	82 1/16W	[M]
R451	DOGB820JA019	82 1/16W	[M]
R452	DOGB820JA019	82 1/16W	[M]
R453	ERJ3GEYJ472V	4.7K 1/16W	[M]
R454	DOGB100JA002	10 1/16W	[M]
R457	DOGB273JA002	27K 1/16W	[M]
R459	DOGB683JA002	68K 1/16W	[M]
R460	ERJ3GEYJ472V	4.7K 1/16W	[M]
R461	DOGB393JA002	39K 1/16W	[M]
R462	DOGB272JA002	2.7K 1/16W	[M]
R463	ERJ3GEYJ472V	4.7K 1/16W	[M]
R465	DOGB332JA002	3.3K 1/16W	[M]
R466	ERJ3GEYJ334V	330K 1/16W	[M]
R467	ERJ3GEYJ102V	1K 1/16W	[M]
R468	DOGB332JA002	3.3K 1/16W	[M]
R469	ERJ3GEYJ223V	22K 1/16W	[M]
R470	ERJ3GEYJ104V	100K 1/16W	[M]
R472	ERJ3GEYJ104V	100K 1/16W	[M]
R473	ERJ3GEYJ104V	100K 1/16W	[M]
R476	ERJ3GEYJ473V	47K 1/16W	[M]
R501	ERDS2TJ153T	15K 1/4W	[M]
R502	ERDS2TJ153T	15K 1/4W	[M]
R503	ERDS2TJ392T	3.9K 1/4W	[M]
R504	ERDS2TJ392T	3.9K 1/4W	[M]
R505	ERDS2TJ103T	10K 1/4W	[M]
R506	ERDS2TJ103T	10K 1/4W	[M]
R509	ERDS2TJ563T	56K 1/4W	[M]
R510	ERDS2TJ563T	56K 1/4W	[M]
R511	ERDS2TJ474T	470K 1/4W	[M]
R512	ERDS2TJ102T	1K 1/4W	[M]
R513	ERDS2TJ681T	680 1/4W	[M]
R516	ERDS2TJ393T	39K 1/4W	[M]
R517	ERDS2TJ103T	10K 1/4W	[M]
R518	ERDS2TJ104T	100K 1/4W	[M]
R520	ERDS1FVJ2R2T	2.2 1/2W	[M]
R521	ERDS1FVJ2R2T	2.2 1/2W	[M]
R522	ERDS2TJ152T	1.5K 1/4W	[M]
R523	ERDS2TJ152T	1.5K 1/4W	[M]
R524	ERDS2TJ473T	47K 1/4W	[M]
R525	ERDS2TJ473T	47K 1/4W	[M]
R526	ERDS2TJ473T	47K 1/4W	[M]
R527	ERDS2TJ473T	47K 1/4W	[M]
R528	ERDS2TJ104T	100K 1/4W	[M]
R529	ERDS2TJ104T	100K 1/4W	[M]
R530	ERDS2TJ223T	22K 1/4W	[M]

Ref. No.	Part No.	Part Name & Description	Remarks
R531	ERDS2TJ223T	22K 1/4W	[M]
R540	ERD2FCVJ4R7T	4.7 1/4W	[M]
R541	ERDS2TJ272T	2.7K 1/4W	[M]
R542	ERDS2TJ473T	47K 1/4W	[M]
R543	ERDS2TJ822T	8.2K 1/4W	[M]
R544	ERDS2TJ562T	5.6K 1/4W	[M]
R545	ERDS2TJ473T	47K 1/4W	[M]
R546	ERDS2TJ272T	2.7K 1/4W	[M]
R547	ERDS2TJ272T	2.7K 1/4W	[M]
R548	ERD2FCVJ4R7T	4.7 1/4W	[M]
R549	ERDS2TJ223T	22K 1/4W	[M]
R550	ERDS2TJ103T	10K 1/4W	[M]
R551	ERDS2TJ223T	22K 1/4W	[M]
R552	ERDS2TJ332T	3.3K 1/4W	[M]
R553	ERDS2TJ103T	10K 1/4W	[M]
R554	ERDS2TJ103T	10K 1/4W	[M]
R555	ERDS2TJ103T	10K 1/4W	[M]
R556	ERDS2TJ333T	33K 1/4W	[M]
R557	ERDS2TJ101T	100 1/4W	[M]
R559	ERDS2TJ103T	10K 1/4W	[M]
R560	ERDS2TJ393T	39K 1/4W	[M]
R561	ERDS2TJ472T	4.7K 1/4W	[M]
R562	ERDS2TJ563T	56K 1/4W	[M]
R563	ERDS2TJ101T	100 1/4W	[M]
R564	ERDS2TJ104T	100K 1/4W	[M]
R565	ERDS2TJ331T	330 1/4W	[M]
R600	ERDS2TJ472T	4.7K 1/4W	[M]
R601	ERDS2TJ102T	1K 1/4W	[M]
R602	ERDS2TJ102T	1K 1/4W	[M]
R603	ERDS2TJ122T	1.2K 1/4W	[M]
R604	ERDS2TJ182T	1.8K 1/4W	[M]
R605	ERDS2TJ222T	2.2K 1/4W	[M]
R612	ERDS2TJ101T	100 1/4W	[M]
R613	ERDS2TJ102T	1K 1/4W	[M]
R614	ERDS2TJ102T	1K 1/4W	[M]
R617	ERDS2TJ472T	4.7K 1/4W	[M]
R620	ERJ3GEYJ472V	4.7K 1/16W	[M]
R622	ERDS2TJ472T	4.7K 1/4W	[M]
R622	ERJ3GEYJ472V	4.7K 1/16W	[M]
R623	ERDS2TJ472T	4.7K 1/4W	[M]
R623	ERJ3GEYJ472V	4.7K 1/16W	[M]
R624	ERJ3GEYJ472V	4.7K 1/16W	[M]
R625	ERJ3GEYJ103V	10K 1/16W	[M]
R626	ERDS2TJ103T	10K 1/4W	[M]
R626	ERJ3GEYJ153V	15K 1/16W	[M]
R627	ERDS2TJ223T	22K 1/4W	[M]
R627	ERJ3GEYJ472V	4.7K 1/16W	[M]
R628	ERDS2TJ101T	100 1/4W	[M]
R628	ERJ3GEYJ102V	1K 1/16W	[M]
R629	ERDS2TJ101T	100 1/4W	[M]
R629	ERJ3GEYJ472V	4.7K 1/16W	[M]
R630	ERDS2TJ681T	680 1/4W	[M]
R630	ERJ3GEYJ102V	1K 1/16W	[M]
R631	ERDS2TJ473T	47K 1/4W	[M]
R631	ERJ3GEYJ472V	4.7K 1/16W	[M]
R632	ERDS2TJ103T	10K 1/4W	[M]
R632	ERJ3GEYJ472V	4.7K 1/16W	[M]
R633	DOGB101JA002	100 1/16W	[M]
R633	ERDS2TJ101T	100 1/4W	[M]
R634	ERDS2TJ103T	10K 1/4W	[M]
R635	ERDS2TJ102T	1K 1/4W	[M]
R636	ERDS2TJ103T	10K 1/4W	[M]
R637	ERDS2TJ102T	1K 1/4W	[M]
R638	ERDS2TJ472T	4.7K 1/4W	[M]
R639	ERDS2TJ223T	22K 1/4W	[M]
R640	ERDS2TJ681T	680 1/4W	[M]
R643	ERDS2TJ106T	10M 1/4W	[M]
R644	ERDS2TJ331T	330 1/4W	[M]
R645	ERDS2TJ103T	10K 1/4W	[M]
R647	ERDS2TJ101T	100 1/4W	[M]
R648	ERDS2TJ562T	5.6K 1/4W	[M]
R649	ERDS2TJ561T	560 1/4W	[M]
R650	ERDS2TJ474T	470K 1/4W	[M]
R651	ERDS2TJ103T	10K 1/4W	[M]

Ref. No.	Part No.	Part Name & Description	Remarks
R652	ERDS2TJ101T	100 1/4W	[M]
R653	ERDS2TJ472T	4.7K 1/4W	[M]
R654	ERDS2TJ474T	470K 1/4W	[M]
R655	ERDS2TJ220T	22 1/4W	[M]
R656	ERD2FCVG470T	47 1/4W	[M]
R657	ERD2FCVG470T	47 1/4W	[M]
R658	ERDS2TJ104T	100K 1/4W	[M]
R659	ERDS2TJ103T	10K 1/4W	[M]
R660	ERDS2TJ101T	100 1/4W	[M]
R661	ERDS2TJ102T	1K 1/4W	[M]
R662	ERDS2TJ102T	1K 1/4W	[M]
R663	ERDS2TJ122T	1.2K 1/4W	[M]
R664	ERDS2TJ182T	1.8K 1/4W	[M]
R665	ERDS2TJ222T	2.2K 1/4W	[M]
R666	ERDS2TJ272T	2.7K 1/4W	[M]
R667	ERDS2TJ472T	4.7K 1/4W	[M]
R668	ERDS2TJ682T	6.8K 1/4W	[M]
R669	ERDS2TJ103T	10K 1/4W	[M]
R670	ERDS2TJ103T	10K 1/4W	[M]
R671	ERDS2TJ101T	100 1/4W	[M]
R672	ERDS2TJ101T	100 1/4W	[M]
R673	ERDS2TJ223T	22K 1/4W	[M]
R674	ERDS2TJ223T	22K 1/4W	[M]
R675	ERDS2TJ222T	2.2K 1/4W	[M]
R676	ERDS2TJ1R0T	1 1/4W	[M]
R677	ERDS2TJ1R0T	1 1/4W	[M]
R678	ERDS2TJ102T	1K 1/4W	[M]
R679	ERDS2TJ221T	220 1/4W	[M]
R680	ERDS2TJ104T	100K 1/4W	[M]
R681	ERDS2TJ103T	10K 1/4W	[M]
R682	ERDS2TJ334T	330K 1/4W	[M]
R683	ERDS2TJ470T	47 1/4W	[M]
R684	ERDS2TJ822T	8.2K 1/4W	[M]
R685	ERDS2TJ101T	100 1/4W	[M]
R686	ERDS2TJ102T	1K 1/4W	[M]
R687	ERDS2TJ221T	220 1/4W	[M]
R688	ERDS2TJ2R7T	2.7 1/4W	[M]
R689	ERDS2TJ223T	22K 1/4W	[M]
R690	ERDS2TJ334T	330K 1/4W	[M]
R691	ERDS2TJ102T	1K 1/4W	[M]
R692	ERDS2TJ2R7T	2.7 1/4W	[M]
R693	ERDS2TJ223T	22K 1/4W	[M]
R694	ERDS2TJ331T	330 1/4W	[M]
R695	ERDS2TJ101T	100 1/4W	[M]
R696	ERDS2TJ822T	8.2K 1/4W	[M]
R697	ERDS2TJ472T	4.7K 1/4W	[M]
R698	ERDS2TJ102T	1K 1/4W	[M]
R699	ERDS2TJ220T	22 1/4W	[M]
R700	ERDS2TJ332T	3.3K 1/4W	[M]
R700	ERJ3GEYJ153V	15K 1/16W	[M]
R701	ERDS2TJ332T	3.3K 1/4W	[M]
R701	ERJ3GEYJ472V	4.7K 1/16W	[M]
R702	ERDS1FVJ270T	27 1/2W	[M]
R702	ERDS2TJ332T	3.3K 1/4W	[M]
R703	D0GB392JA002	3.9K 1/16W	[M]
R703	ERDS2TJ332T	3.3K 1/4W	[M]
R704	D0GB562JA002	5.6K 1/16W	[M]
R704	ERDS2TJ332T	3.3K 1/4W	[M]
R705	D0GB273JA002	27K 1/16W	[M]
R705	ERDS2TJ272T	2.7K 1/4W	[M]
R706	ERJ3GEYJ470V	47 1/16W	[M]
R707	ERDS2TJ272T	2.7K 1/4W	[M]
R707	ERJ3GEYJ102V	1K 1/16W	[M]
R708	D0GB105JA002	1M 1/16W	[M]
R708	ERDS2TJ182T	1.8K 1/4W	[M]
R709	ERDS2TJ223T	22K 1/4W	[M]
R710	ERDS2TJ123T	12K 1/4W	[M]
R710	ERJ3GEYJ472V	4.7K 1/16W	[M]
R711	ERDS2TJ103T	10K 1/4W	[M]
R711	ERJ3GEYJ472V	4.7K 1/16W	[M]
R712	ERDS2TJ104T	100K 1/4W	[M]
R712	ERJ3GEYJ331V	330 1/16W	[M]
R713	ERDS2TJ104T	100K 1/4W	[M]
R713	ERJ3GEYJ331V	330 1/16W	[M]

Ref. No.	Part No.	Part Name & Description	Remarks
R714	ERDS2TJ104T	100K 1/4W	[M]
R714	ERJ3GEYJ103V	10K 1/16W	[M]
R715	ERDS2TJ104T	100K 1/4W	[M]
R715	ERJ3GEYJ472V	4.7K 1/16W	[M]
R716	ERDS2TJ104T	100K 1/4W	[M]
R716	ERJ3GEYJ103V	10K 1/16W	[M]
R717	ERDS2TJ104T	100K 1/4W	[M]
R717	ERJ3GEYJ153V	15K 1/16W	[M]
R718	ERDS2TJ104T	100K 1/4W	[M]
R718	ERJ3GEYOR00V	0 1/16W	[M]
R719	ERDS2TJ104T	100K 1/4W	[M]
R719	ERJ3GEYJ123V	12K 1/16W	[M]
R720	D0GB100JA002	10 1/16W	[M]
R720	ERDS2TJ104T	100K 1/4W	[M]
R721	ERDS2TJ104T	100K 1/4W	[M]
R721	ERJ3GEYOR00V	0 1/16W	[M]
R722	ERDS2TJ104T	100K 1/4W	[M]
R723	ERDS2TJ104T	100K 1/4W	[M]
R723	ERJ3GEYJ123V	12K 1/16W	[M]
R724	D0GB332JA002	3.3K 1/16W	[M]
R724	ERDS2TJ104T	100K 1/4W	[M]
R725	ERDS2TJ104T	100K 1/4W	[M]
R725	ERJ3GEYOR00V	0 1/16W	[M]
R726	ERDS2TJ104T	100K 1/4W	[M]
R726	ERJ3GEYJ103V	10K 1/16W	[M]
R727	ERDS2TJ104T	100K 1/4W	[M]
R727	ERJ3GEYJ102V	1K 1/16W	[M]
R728	D0GB274JA002	270K 1/16W	[M]
R728	ERDS2TJ104T	100K 1/4W	[M]
R729	ERDS2TJ104T	100K 1/4W	[M]
R729	ERJ3GEYJ472V	4.7K 1/16W	[M]
R730	ERDS2TJ104T	100K 1/4W	[M]
R730	ERJ3GEYJ822V	8.2K 1/16W	[M]
R731	ERDS2TJ101T	100 1/4W	[M]
R731	ERJ3GEYJ104V	100K 1/16W	[M]
R732	ERDS2TJ101T	100 1/4W	[M]
R732	ERJ3GEYJ104V	100K 1/16W	[M]
R733	ERJ3GEYJ561V	560 1/16W	[M]
R736	ERJ3GEYJ153V	15K 1/16W	[M]
R737	ERJ3GEYJ223V	22K 1/16W	[M]
R738	ERJ3GEYJ472V	4.7K 1/16W	[M]
R739	ERJ3GEYJ104V	100K 1/16W	[M]
R740	ERJ3GEYJ153V	15K 1/16W	[M]
R741	ERJ3GEYJ103V	10K 1/16W	[M]
R742	ERJ3GEYOR00V	0 1/16W	[M]
R743	ERJ3GEYOR00V	0 1/16W	[M]
R744	ERJ3GEYOR00V	0 1/16W	[M]
R745	D0GB271JA002	270 1/16W	[M]
R746	D0GB271JA002	270 1/16W	[M]
R747	ERJ3GEYJ221V	220 1/16W	[M]
R748	ERJ3GEYJ221V	220 1/16W	[M]
R749	ERJ3GEYJ103V	10K 1/16W	[M]
R896	D0GB393JA002	39K 1/16W	[M]
R897	ERJ3GEYJ153V	15K 1/16W	[M]
R900	ERDS2TJ103T	10K 1/4W	[M]
R901	ERDS2TJ102T	1K 1/4W	[M]
R902	ERDS2TJ102T	1K 1/4W	[M]
R903	ERDS2TJ122T	1.2K 1/4W	[M]
R904	ERDS2TJ182T	1.8K 1/4W	[M]
R905	ERDS2TJ222T	2.2K 1/4W	[M]
R906	ERDS2TJ272T	2.7K 1/4W	[M]
R907	ERDS2TJ472T	4.7K 1/4W	[M]
R908	ERDS2TJ682T	6.8K 1/4W	[M]
R909	ERDS2TJ103T	10K 1/4W	[M]
R911	ERDS2TJ104T	100K 1/4W	[M]
R912	ERDS2TJ473T	47K 1/4W	[M]
R913	ERDS2TJ473T	47K 1/4W	[M]
R914	ERDS2TJ563T	56K 1/4W	[M]
R915	ERDS2TJ470T	47 1/4W	[M]
R916	ERDS2TJ104T	100K 1/4W	[M]
R917	ERDS2TJ563T	56K 1/4W	[M]
R918	ERDS2TJ470T	47 1/4W	[M]
R921	ERDS2TJ103T	10K 1/4W	[M]
R922	ERDS2TJ101T	100 1/4W	[M]

Ref. No.	Part No.	Part Name & Description	Remarks
R923	ERDS2TJ223T	22K 1/4W	[M]
R924	ERDS2TJ123T	12K 1/4W	[M]
R925	ERDS2TJ101T	100 1/4W	[M]
R937	ERDS2TJ222T	2.2K 1/4W	[M]
R938	ERDS2TJ474T	470K 1/4W	[M]
R939	ERDS2TJ472T	4.7K 1/4W	[M]
R950	ERDS2TJ122T	1.2K 1/4W	[M]
R951	ERDS2TJ152T	1.5K 1/4W	[M]
R952	ERDS1FVJ220T	22 1/2W	[M]
R952	ERDS2TJ821T	820 1/4W	[M]
R953	ERDS1FVJ180T	18 1/2W	[M]
R953	ERDS2TJ393T	39K 1/4W	[M]
R954	ERDS1FVJ120T	12 1/2W	[M]
R957	ERDS2TJ151T	150 1/4W	[M]
R958	ERD2FCVJ4R7T	4.7 1/4W	[M]
R959	ERDS2TJ472T	4.7K 1/4W	[M]
R960	ERDS2TJ332T	3.3K 1/4W	[M]
R962	ERDS2TJ824T	820K 1/4W	[M]
R969	ERDS2TJ681T	680 1/4W	[M]
R970	ERDS2TJ681T	680 1/4W	[M]
R972	ERDS2TJ561T	560 1/4W	[M]
R972	ERDS2TJ821T	820 1/4W	[M]
R973	ERDS2TJ393T	39K 1/4W	[M]
R980	ERDS1FVJ100T	10 1/2W	[M]
R982	ERDS2TJ393T	39K 1/4W	[M]
R984	ERDS2TJ103T	10K 1/4W	[M]
R986	ERDS2TJ154T	150K 1/4W	[M]
R988	ERDS2TJ394T	390K 1/4W	[M]
R990	ERDS1FVJ100T	10 1/2W	[M]
R992	ERDS2TJ393T	39K 1/4W	[M]
R994	ERDS2TJ103T	10K 1/4W	[M]
R996	ERDS2TJ104T	100K 1/4W	[M]
R998	ERDS2TJ394T	390K 1/4W	[M]
R1001	DOGB1R0JA002	1 1/16W	[M]
R1003	ERJ3GEYJ103V	10K 1/16W	[M]
R1004	DOGB152JA002	1.5K 1/16W	[M]
R1005	ERJ3GEYJ472V	4.7K 1/16W	[M]
R1006	ERJ3GEYJ102V	1K 1/16W	[M]
R1007	ERD25FVJ4R7T	4.7 1/4W	[M]
R1008	ERJ3GEYJ223V	22K 1/16W	[M]
R1009	DOGB183JA002	18K 1/16W	[M]
R1010	DOGB183JA002	18K 1/16W	[M]
R1011	ERJ3GEYJ103V	10K 1/16W	[M]
R1012	ERJ3GEYJ472V	4.7K 1/16W	[M]
R1013	ERJ3GEYJ472V	4.7K 1/16W	[M]
R1014	ERJ3GEYJ472V	4.7K 1/16W	[M]
R1015	ERJ3GEYJ470V	47 1/16W	[M]
R1016	ERJ3GEYJ470V	47 1/16W	[M]
R1017	ERJ3GEYJ822V	8.2K 1/16W	[M]
R1018	DOGB392JA002	3.9K 1/16W	[M]
R1019	DOGB392JA002	3.9K 1/16W	[M]
R1022	ERJ3GEYJ103V	10K 1/16W	[M]
R1026	ERJ3GEYJ102V	1K 1/16W	[M]
R1028	ERJ3GEYJ822V	8.2K 1/16W	[M]
R1029	DOGB475JA008	4.7M 1/16W	[M]
R1030	DOGB101JA002	100 1/16W	[M]
R1031	DOGB273JA002	27K 1/16W	[M]
R1032	ERJ3GEYJ103V	10K 1/16W	[M]
R1035	ERJ3GEYJ103V	10K 1/16W	[M]
R1038	ERJ3GEYJ472V	4.7K 1/16W	[M]
R1039	ERJ3GEYJ153V	15K 1/16W	[M]
R1040	ERJ3GEY0R00V	0 1/16W	[M]
R1045	ERJ3GEYJ104V	100K 1/16W	[M]
R1046	ERJ3GEYJ104V	100K 1/16W	[M]
R1047	ERJ3GEYJ102V	1K 1/16W	[M]
R1048	ERJ3GEYJ102V	1K 1/16W	[M]
R1049	DOGB105JA002	1M 1/16W	[M]
R1050	DOGB105JA002	1M 1/16W	[M]
R1051	ERJ3GEYJ221V	220 1/16W	[M]
R1052	ERJ3GEYJ221V	220 1/16W	[M]
R1053	ERJ3GEYJ681V	680 1/16W	[M]
R1054	ERJ3GEYJ681V	680 1/16W	[M]
R1055	ERJ3GEYJ222V	2.2K 1/16W	[M]
R1056	ERJ3GEYJ221V	220 1/16W	[M]

Ref. No.	Part No.	Part Name & Description	Remarks
R1057	ERJ3GEYJ222V	2.2K 1/16W	[M]
R1058	DOGB272JA002	2.7K 1/16W	[M]
R1059	ERJ3GEYJ103V	10K 1/16W	[M]
R1060	ERJ3GEYJ391V	390 1/16W	[M]
R1061	ERJ3GEY0R00V	0 1/16W	[M]
R1084	ERJ3GEYJ222V	2.2K 1/16W	[M]
R1085	ERJ3GEYJ473V	47K 1/16W	[M]
R1086	ERJ3GEYJ222V	2.2K 1/16W	[M]
R1087	ERJ3GEYJ473V	47K 1/16W	[M]
R1090	ERJ3GEYJ221V	220 1/16W	[M]
R1091	ERJ3GEYJ222V	2.2K 1/16W	[M]
R1092	ERJ3GEYJ222V	2.2K 1/16W	[M]
R1093	ERJ3GEYJ102V	1K 1/16W	[M]
R1094	ERJ3GEYJ102V	1K 1/16W	[M]
R1095	ERJ3GEYJ104V	100K 1/16W	[M]
R1096	ERJ3GEYJ104V	100K 1/16W	[M]
R1097	ERJ3GEYJ103V	10K 1/16W	[M]
R1098	ERJ3GEYJ103V	10K 1/16W	[M]
R2011	JOJBC0000015	00 1/16W	[M]
R2012	DOGB752JA008	7.5K 1/16W	[M]
R2013	JOJBC0000015	00 1/16W	[M]
R2014	DOGB752JA008	7.5K 1/16W	[M]
R2015	JOJBC0000015	00 1/16W	[M]
R2016	ERJ3GEYJ822V	8.2K 1/16W	[M]
R2017	JOJBC0000015	00 1/16W	[M]
R2018	ERJ3GEYJ822V	8.2K 1/16W	[M]
R2021	ERJ3GEYJ153V	15K 1/16W	[M]
R2022	ERJ3GEYJ103V	10K 1/16W	[M]
R2023	ERJ3GEYJ153V	15K 1/16W	[M]
R2031	DOGB683JA002	68K 1/16W	[M]
R2032	ERJ3GEYJ102V	1K 1/16W	[M]
R2033	ERJ3RBD153V	15K 3W	[M]
R2041	ERJ3GEYJ473V	47K 1/16W	[M]
R2045	ERJ3GEYJ823V	82K 1/16W	[M]
R2046	ERJ3GEYJ221V	220 1/16W	[M]
R2051	ERJ3RBD392V	3.9K 3W	[M]
R2501	DOGB101JA002	100 1/16W	[M]
R2502	ERJ3GEYJ153V	15K 1/16W	[M]
R2503	ERJ3GEYJ153V	15K 1/16W	[M]
R2504	ERJ3GEYJ823V	82K 1/16W	[M]
R2505	ERJ3GEYJ823V	82K 1/16W	[M]
R2507	DOGF6R8JA017	6.8 1/16W	[M]
R3001	JOJCC0000119	INDUCTOR	[M]
R3002	ERJ3GEYJ103V	10K 1/16W	[M]
R3003	ERJ3GEYJ103V	10K 1/16W	[M]
R3011	ERJ3GEYJ103V	10K 1/16W	[M]
R3013	ERJ3GEY0R00V	0 1/16W	[M]
R3041	DOGB101JA002	100 1/16W	[M]
R3043	DOGB101JA002	100 1/16W	[M]
R3101	ERJ3RBD153V	15K 3W	[M]
R3102	ERJ3RBD272V	2.7K 3W	[M]
R3103	ERJ3RBD203V	20K 3W	[M]
R3104	ERJ3RBD222V	2.2K 3W	[M]
R3105	ERJ3RBD152V	1.5K 3W	[M]
R3111	ERJ3RED620V	62 3W	[M]
R3112	ERJ3RED150V	15 3W	[M]
R3116	ERJ3RED620V	62 3W	[M]
R3117	ERJ3RED150V	15 3W	[M]
R3121	ERJ3RBD101V	100 3W	[M]
R3122	ERJ3RED160V	16 3W	[M]
R3126	ERJ3RED560V	56 3W	[M]
R3131	ERJ3RED560V	56 3W	[M]
R4201	ERJ3GEYJ470V	47 1/16W	[M]
R5101	DOGB560JA002	56 1/16W	[M]
R5102	DOGB560JA002	56 1/16W	[M]
R5103	DOGB560JA002	56 1/16W	[M]
R5105	ERJ12Y0R00H	0 1/2W	[M]
R5107	ERJ3GEY0R00V	0 1/16W	[M]
R5108	ERJ3GEY0R00V	0 1/16W	[M]
R5109	ERJ3GEY0R00V	0 1/16W	[M]
R5111	ERJ3GEYJ2R2V	2.2 1/16W	[M]
R5112	ERJ12YJ270H	27 1/2W	[M]
R5113	ERJ3GEYJ473V	47K 1/16W	[M]
R5114	ERJ3GEYJ223V	22K 1/16W	[M]

Ref. No.	Part No.	Part Name & Description	Remarks
R5115	ERJ3GEYJ2R2V	2.2 1/16W	[M]
R5116	ERJ12YJ270H	27 1/2W	[M]
R5117	ERJ3GEYJ473V	47K 1/16W	[M]
R5120	ERJ3GEYOR00V	0 1/16W	[M]
R5121	D0GB560JA002	56 1/16W	[M]
R5122	D0GB560JA002	56 1/16W	[M]
R5123	D0GB560JA002	56 1/16W	[M]
R5124	ERJ3GEYJ472V	4.7K 1/16W	[M]
R5152	ERJ3GEYJ102V	1K 1/16W	[M]
R5201	ERJ3GEYOR00V	0 1/16W	[M]
R5202	ERJ3GEYOR00V	0 1/16W	[M]
R5221	ERJ3GEYOR00V	0 1/16W	[M]
R5222	ERJ3GEYJ102V	1K 1/16W	[M]
R5223	ERJ3GEYJ331V	330 1/16W	[M]
R5225	ERJ3GEYOR00V	0 1/16W	[M]
R5226	ERJ3GEYJ102V	1K 1/16W	[M]
R5227	ERJ3GEYJ331V	330 1/16W	[M]
R5231	J0JCC0000119	INDUCTOR	[M]
R5232	J0JCC0000119	INDUCTOR	[M]
R5233	ERJ3GEYJ222V	2.2K 1/16W	[M]
R5234	ERJ3GEYJ222V	2.2K 1/16W	[M]
R5235	ERJ3GEYJ102V	1K 1/16W	[M]
R6201	ERJ3GEYJ472V	4.7K 1/16W	[M]
R6261	ERJ3GEYJ103V	10K 1/16W	[M]
R6351	D0GB101JA002	100 1/16W	[M]
R6562	ERJ3GEYJ221V	220 1/16W	[M]
R6563	ERJ3GEYJ103V	10K 1/16W	[M]
R6564	D0GB100JA002	10 1/16W	[M]
R6565	ERJ3GEYJ470V	47 1/16W	[M]
K2041	ERJ3GEYOR00V	0 1/16W	[M]
K3111	ERJ3GEYOR00V	0 1/16W	[M]
K3116	ERJ3GEYOR00V	0 1/16W	[M]
K3121	ERJ3GEYOR00V	0 1/16W	[M]
K3126	ERJ3GEYOR00V	0 1/16W	[M]
K3131	ERJ3GEYOR00V	0 1/16W	[M]
K6301	ERJ3GEYOR00V	0 1/16W	[M]
K6302	ERJ3GEYOR00V	0 1/16W	[M]
RA2025	EXBV4V473JV	47K 1/16W	[M]
RA2501	EXBV8V473JV	47K 1/16W	[M]
RA3001	EXBV8V820JV	82 1/16W	[M]
RA3002	EXBV8V820JV	82 1/16W	[M]
RA3003	EXBV8V820JV	82 1/16W	[M]
RA3004	EXBV8V820JV	82 1/16W	[M]
RA3005	EXBV4V220JV	22 1/16W	[M]
RA3009	EXBV8V820JV	82 1/16W	[M]
RA3010	EXBV8V820JV	82 1/16W	[M]
RA3011	EXBV8V820JV	82 1/16W	[M]
RA3012	EXBV8V820JV	82 1/16W	[M]
RA3025	EXBV4V472JV	4.7K 1/16W	[M]
RA3042	EXBV4V101JV	100 1/16W	[M]
RA5101	EXBV4V560JV	56 1/16W	[M]
RA5102	EXBV8V560JV	56 1/16W	[M]
RA5103	EXBV4V560JV	56 1/16W	[M]
RA6201	EXBV4V472JV	4.7K 1/16W	[M]
RA6261	EXBV4V103JV	10K 1/16W	[M]
RA6351	EXBV4V472JV	4.7K 1/16W	[M]
		CAPACITORS	
C1	ECBT1H5R6KC5	5.6P 50V	[M]
C1	ECEA1CKA101B	100 16V	[M]
C2	ECBT1E103ZF5	0.01 25V	[M]
C2	RCBS1H102KBY	1000P 50V	[M]
C3	ECBT1H2R2KC5	2.2P 50V	[M]
C4	ECBT1H181KB5	180P 50V	[M]
C5	ECBT1H5R6KC5	5.6P 50V	[M]
C6	ECBT1H3R3KC5	3.3P 50V	[M]
C7	ECBT1H4R7KC5	4.7P 50V	[M]
C7	ECEA1CKA100B	10 16V	[M]
C8	ECBT1H3R3KC5	3.3P 50V	[M]
C8	EEUFC0J821B	820P 6.3V	[M]
C9	ECA1EM221B	220 25V	[M]

Ref. No.	Part No.	Part Name & Description	Remarks
C9	ECBT1H2R2KC5	2.2P 50V	[M]
C10	ECBT1H180JC5	18P 50V	[M]
C10	ECJ1VB1A105K	10 10V	[M]
C11	ECJ1VB1A105K	10 10V	[M]
C11	RCBS1H102KBY	1000P 50V	[M]
C12	ECEA0JKA221B	220 6.3V	[M]
C13	ECJ1VB1A105K	1 10V	[M]
C14	ECJ1VB1A105K	1 10V	[M]
C15	ECA1EM221B	220 25V	[M]
C16	EEUFC0J821B	820P 6.3V	[M]
C17	ECEA1CKA100B	10 16V	[M]
C18	ECJ1VB1A105K	1 10V	[M]
C19	ECJ1VB1A105K	1 10V	[M]
C20	ECEA1AKA101B	100 10V	[M]
C21	EEAFC0J101B	100P 6.3V	[M]
C22	ECUV1C104KBV	0.1 16V	[M]
C25	ECJ1VB1A105K	1 10V	[M]
C26	ECEA0JKA221B	220 6.3V	[M]
C27	ECJ1VB1A105K	1 10V	[M]
C28	ECEA0JKA221B	220 6.3V	[M]
C29	ECJ1VB1A105K	1 10V	[M]
C30	ECEA1AKA101B	100 10V	[M]
C50	ECEA1AKA221B	220 10V	[M]
C51	ECEA1CKA470B	47 16V	[M]
C52	ECEA1CKA470B	47 16V	[M]
C53	ECJ1VB1H103K	0.01 50V	[M]
C54	ECJ1VC1H220J	22P 50V	[M]
C55	ECEA1CKA470B	47 16V	[M]
C56	ECJ1VB1H103K	0.01 50V	[M]
C57	ECEA1CKA470B	47 16V	[M]
C58	ECJ1VB1H103K	0.01 50V	[M]
C59	ECJ1VB1H103K	0.01 50V	[M]
C60	ECA0JM102B	1000 6.3V	[M]
C61	ECEA0JKA101B	100 6.3V	[M]
C62	ECA0JM102B	1000 6.3V	[M]
C63	ECEA0JKA101B	100 6.3V	[M]
C64	ECA0JM102B	1000 6.3V	[M]
C65	ECEA0JKA101B	100 6.3V	[M]
C66	ECEA0JKA331B	330 6.3V	[M]
C67	ECEA0JKA331B	330 6.3V	[M]
C70	ECEA1CKA221B	220 16V	[M]
C72	ECJ1VB1A105K	1 10V	[M]
C73	ECJ1VB1A105K	1 10V	[M]
C75	ECJ1VB1C103K	0.01 16V	[M]
C76	ECJ1VB1E103K	0.01 25V	[M]
C77	ECJ1VB1H102K	1000P 50V	[M]
C78	ECJ1VB1H102K	1000P 50V	[M]
C79	ECJ1VB1H471K	470P 50V	[M]
C80	ECJ1VB1H102K	1000P 50V	[M]
C81	ECJ1VB1H471K	470P 50V	[M]
C82	ECJ1VB1H471K	470P 50V	[M]
C100	ECJ1VF1C474Z	0.47 16V	[M]
C101	ECJ1VB1E103K	0.01 25V	[M]
C102	ECEA1CKA100B	10 16V	[M]
C103	ECJ1VB1E103K	0.01 25V	[M]
C104	ECJ1VB1H102K	1000P 50V	[M]
C106	ECJ1VB1E103K	0.01 25V	[M]
C107	FLH1E473A062	0.047 25V	[M]
C108	ECJ1VC1H080D	8P 50V	[M]
C109	ECJ1VB1H102K	1000P 50V	[M]
C110	ECJ1VB1E103K	0.01 25V	[M]
C111	ECEA1HKA4R7B	4.7 50V	[M]
C112	ECJ1VB1E103K	0.01 25V	[M]
C113	ECJ1VB1H102K	1000P 50V	[M]
C114	ECEA1HKA3R3B	3.3 50V	[M]
C115	ECEA1HKA4R7B	4.7 50V	[M]
C116	ECJ1VB1C333K	0.033 16V	[M]
C117	ECJ1VB1E103K	0.01 25V	[M]
C118	ECJ1VB1E103K	0.01 25V	[M]
C119	F0A2A681A010	680P 100V	[M]
C120	ECEA1CKA100B	10 16V	[M]
C121	ECEA1HKA4R7B	0.47 50V	[M]
C122	ECEA1HKA010B	1 50V	[M]
C123	ECEA1HKA010B	1 50V	[M]

Ref. No.	Part No.	Part Name & Description	Remarks
C124	ECJ1VC1H101K	100P 50V	[M]
C125	ECEA1CKA220B	22 16V	[M]
C126	ECJ2VF1C105Z	1 16V	[M]
C127	ECEA1CKA220B	22 16V	[M]
C128	ERJ3GEY0R00V	0 1/16W	[M]
C129	ECEA0JKA101B	100 6.3V	[M]
C130	ECEA0JKA101B	100 6.3V	[M]
C131	ECJ1VC1H151J	150P 50V	[M]
C132	ECJ1VB1H102K	1000P 50V	[M]
C133	ECJ1VC1H270J	27P 50V	[M]
C134	ECJ1VC1H270J	27P 50V	[M]
C136	ECJ1VB1H102K	1000P 50V	[M]
C137	ECJ1VB1H332K	3300P 50V	[M]
C138	ECJ1VB1E103K	0.01 25V	[M]
C139	ECEA1HKA4R7B	4.7 50V	[M]
C141	ECEA1HKA010B	1 50V	[M]
C142	ECEA1HKA010B	1 50V	[M]
C143	ECJ1VB1H472K	4700P 50V	[M]
C144	ECJ1VB1H472K	4700P 50V	[M]
C147	ECJ1VB1H102K	1000P 50V	[M]
C148	ECJ1VB1E103K	0.01 25V	[M]
C149	ECUV1C104ZFB	0.1 16V	[M]
C150	ECJ1VB1H103K	0.01 50V	[M]
C201	ECJ1VB1H102K	1000P 50V	[M]
C202	ECJ1VB1H102K	1000P 50V	[M]
C203	ECEA1HKA4R7B	4.7 50V	[M]
C205	ECA1HAD3R3XI	3.3 50V	[M]
C207	ECJ1VB1H332K	3300P 50V	[M]
C209	ECA1CAD100XI	10 16V	[M]
C210	ECJ1VC1H101K	100P 50V	[M]
C211	ECJ1VB1H471K	470P 50V	[M]
C214	ECJ1VC1H101K	100P 50V	[M]
C215	ECEA1HKA010B	1 50V	[M]
C216	ECJ1VB1A105K	1 10V	[M]
C219	ECEA1CKA100B	10 16V	[M]
C229	ECJ1VB1H222K	2200P 50V	[M]
C230	ECEA1HKA4R7B	4.7 50V	[M]
C231	ECJ1VB1H102K	1000P 50V	[M]
C232	ECEA1CKA100B	10 16V	[M]
C233	ECJ1VC1H101K	100P 50V	[M]
C234	ECJ1VC1H470J	47P 50V	[M]
C235	ECA1HAD4R7XI	4.7 50V	[M]
C237	F1H1H822A022	8200P 50V	[M]
C238	ECJ2VB1H153K	0.015 50V	[M]
C239	ECA1HAD3R3XI	0.33 50V	[M]
C241	ECA1HAD4R7XI	4.7 50V	[M]
C242	ECA1HAD4R7XI	4.7 50V	[M]
C245	ECJ1VC1H101K	100P 50V	[M]
C246	ECJ1VC1H330J	33P 50V	[M]
C247	ECA1CAD470XI	47 16V	[M]
C248	ECJ1VB1H102K	1000P 50V	[M]
C253	ECJ2VB1E563K	0.056 25V	[M]
C254	ECJ2VB1C154K	0.15 16V	[M]
C255	F1H1H271A189	270P 50V	[M]
C256	ECEA1HKA4R7B	4.7 50V	[M]
C257	ECA1CAD100XI	10 16V	[M]
C260	ECA1HAD010XI	1 50V	[M]
C261	ECJ1VB1A105K	1 10V	[M]
C263	ECEA1CKA100B	10 16V	[M]
C264	ECJ1VB1H102K	1000P 50V	[M]
C270	ECEA1CKA100B	10 16V	[M]
C272	ECEA1HKA010B	1 50V	[M]
C301	ECEA1HKN4R7B	4.7 50V	[M]
C302	ECEA1CKA100B	10 16V	[M]
C303	ECJ1VB1E103K	0.01 25V	[M]
C304	ECJ1VB1E103K	0.01 25V	[M]
C307	ECJ1VB1E103K	0.01 25V	[M]
C322	ECJ1VB1H222K	2200P 50V	[M]
C324	ECJ1VB1H222K	2200P 50V	[M]
C334	ECJ1VB1E103K	0.01 25V	[M]
C339	ECJ1VC1H470J	47P 50V	[M]
C340	ECJ1VC1H470J	47P 50V	[M]
C341	ECJ1VC1H470J	47P 50V	[M]
C343	ECJ1VB1A224K	0.22 10V	[M]

Ref. No.	Part No.	Part Name & Description	Remarks
C345	F1H1H561A765	560P 50V	[M]
C347	ECJ1VB1A224K	0.22 10V	[M]
C351	ECJ1VB1E103K	0.01 25V	[M]
C352	ECJ1VB1E103K	0.01 25V	[M]
C353	ECUV1C104KBV	0.1 16V	[M]
C354	ECJ1VC1H470J	47P 50V	[M]
C355	ECJ1VC1H470J	47P 50V	[M]
C356	ECUV1C104KBV	0.1 16V	[M]
C357	ECUV1C104KBV	0.1 16V	[M]
C359	ECJ1VB1A224K	0.22 10V	[M]
C362	ECEA1HKA220B	22 50V	[M]
C364	ECJ1VB1A224K	0.22 10V	[M]
C365	ECEA1HKA4R7B	4.7 50V	[M]
C370	ECJ1VB1E103K	0.01 25V	[M]
C371	ECJ1VB1C103K	0.01 16V	[M]
C375	ECEA0JKA331B	330 6.3V	[M]
C376	ECJ1VB1E103K	0.01 25V	[M]
C377	ECJ1VB1E103K	0.01 25V	[M]
C388	ECJ1VB1E103K	0.01 25V	[M]
C389	ECJ1VB1E103K	0.01 25V	[M]
C390	RCE1HKN100BG	10P 50V	[M]
C391	ECEA1CKA221B	220 16V	[M]
C392	ECEA1CKA100B	10 16V	[M]
C401	ECJ1VB1H102K	1000P 50V	[M]
C402	ECJ1VB1H102K	1000P 50V	[M]
C403	ECEA1HKA4R7B	4.7 50V	[M]
C405	ECA1HAD3R3XI	3.3 50V	[M]
C407	ECJ1VB1H332K	3300P 50V	[M]
C409	ECA1CAD100XI	10 16V	[M]
C410	ECJ1VC1H101K	100P 50V	[M]
C411	ECJ1VB1H471K	470P 50V	[M]
C412	ECJ1VB1H102K	1000P 50V	[M]
C413	ECJ1VB1H102K	1000P 50V	[M]
C414	ECJ1VC1H101K	100P 50V	[M]
C415	ECEA1HKA010B	1 50V	[M]
C416	ECJ1VB1A105K	1 10V	[M]
C419	ECEA1CKA100B	10 16V	[M]
C429	ECJ1VB1H222K	2200P 50V	[M]
C430	ECEA1HKA4R7B	4.7 50V	[M]
C431	ECJ1VB1H102K	1000P 50V	[M]
C432	ECEA1CKA100B	10 16V	[M]
C433	ECJ1VC1H101K	100P 50V	[M]
C434	ECJ1VC1H470J	47P 50V	[M]
C435	ECA1HAD4R7XI	4.7 50V	[M]
C437	F1H1H822A022	8200P 50V	[M]
C438	ECJ2VB1H153K	0.015 50V	[M]
C439	ECA1HAD3R3XI	0.33 50V	[M]
C441	ECA1HAD4R7XI	4.7 50V	[M]
C442	ECA1HAD4R7XI	4.7 50V	[M]
C445	ECJ1VC1H101K	100P 50V	[M]
C446	ECJ1VC1H330J	33P 50V	[M]
C447	ECEA1CKA470B	47 16V	[M]
C448	ECJ1VB1H102K	1000P 50V	[M]
C453	ECJ2VB1E563K	0.056 25V	[M]
C454	ECJ2VB1C154K	0.15 16V	[M]
C455	F1H1H271A189	270P 50V	[M]
C456	ECEA1HKA4R7B	4.7 50V	[M]
C457	ECA1CAD100XI	10 16V	[M]
C459	ECA1EM331B	330 25V	[M]
C460	ECA1HAD010XI	1 50V	[M]
C461	ECJ1VB1A105K	1 10V	[M]
C463	ECEA1CKA100B	10 16V	[M]
C464	ECJ1VB1H102K	1000P 50V	[M]
C470	ECEA1CKA100B	10 16V	[M]
C472	ECEA1HKA010B	1 50V	[M]
C502	ECBT1H821KB5	820P 50V	[M]
C503	ECBT1H821KB5	820P 50V	[M]
C504	ECKR1H103ZF5	0.01 50V	[M]
C505	ECKR1H103ZF5	0.01 50V	[M]
C506	ECBT1E103ZF5	0.01 25V	[M]
C509	ECBT1H150JC5	15P 50V	[M]
C510	ECBT1H150JC5	15P 50V	[M]
C511	ECBT1H473ZF5	0.047 50V	[M]
C512	ECBT1H102KB5	1000P 50V	[M]

Ref. No.	Part No.	Part Name & Description	Remarks
C517	ECA1CM221B	220 16V	[M]
C519	ECEA1HKA2R2B	2.2 50V	[M]
C520	ECA1EM331B	330 25V	[M]
C521	ECA1HM470B	47 50V	[M]
C522	ECA1HM470B	47 50V	[M]
C523	ECA1HM470B	47 50V	[M]
C525	ECA1HM470B	47 50V	[M]
C526	ECEA0JKA221B	220 6.3V	[M]
C527	ECBT1H102KB5	1000P 50V	[M]
C531	F2A1V472A082	4700P 35V	[M]
C532	F2A1V562A157	5600P 35V	[M]
C533	F2A1V562A157	5600P 35V	[M]
C534	F2A1V472A082	4700P 35V	[M]
C536	ECQV1H184JL3	0.18 50V	[M]
C540	ECKR1H103ZF5	0.01 50V	[M]
C541	ECKR1H103ZF5	0.01 50V	[M]
C542	ECBT1H103KB5	0.01 50V	[M]
C543	ECEA1HKA2R2B	2.2 50V	[M]
C544	ECA0JM471B	470 6.3V	[M]
C600	RCE1AM102B	1000 10V	[M]
C603	ECBT1H331KB5	330P 50V	[M]
C605	ECEA0JKA101B	100 6.3V	[M]
C606	ECBT1H104ZF5	0.1 50V	[M]
C607	ECBT1H104ZF5	0.1 50V	[M]
C608	ECEA1HKA0R1B	0.1 50V	[M]
C609	ECBT1H103KB5	0.01 50V	[M]
C610	ECEA1HKA4R7B	4.7 50V	[M]
C611	ECBT1H390J5	39P 50V	[M]
C612	ECBT1H390J5	39P 50V	[M]
C617	ECBT1H220JC5	22P 50V	[M]
C618	ECBT1H220JC5	22P 50V	[M]
C619	F1D1H473A012	0.047 50V	[M]
C620	ECBT1E223ZF5	0.022 25V	[M]
C620	ECJ1VC1H470J	47P 50V	[M]
C621	ECBT1E223ZF5	0.022 25V	[M]
C621	ECJ1VC1H470J	47P 50V	[M]
C622	ECBT1E223ZF5	0.022 25V	[M]
C622	ECUV1C104KBV	0.1 16V	[M]
C623	ECBT1H331KB5	330P 50V	[M]
C623	ECJ1VB1H102K	1000P 50V	[M]
C624	ECBT1H331KB5	330P 50V	[M]
C625	ECEA1VKA4R7B	4.7 35V	[M]
C627	ECBT1H103ZF5	0.01 50V	[M]
C634	ECBT1H101KB5	100P 50V	[M]
C635	ECBT1H101KB5	100P 50V	[M]
C636	ECBT1H104ZF5	0.1 50V	[M]
C637	ECBT1E103ZF5	0.01 25V	[M]
C638	ECBT1H102KB5	1000P 50V	[M]
C639	ECEA0JKA470B	47 6.3V	[M]
C640	ECEA1HKA3R3B	3.3 50V	[M]
C641	ECEA1HKA220B	22 50V	[M]
C642	ECEA1HKA220B	22 50V	[M]
C643	ECEA1AKA220B	22 10V	[M]
C645	ECBT1H561KB5	560P 50V	[M]
C646	ECBT1H101KB5	100P 50V	[M]
C647	ECBT1H561KB5	560P 50V	[M]
C648	ECBT1H101KB5	100P 50V	[M]
C651	ECBT1H102KB5	1000P 50V	[M]
C653	ECBT1H561KB5	560P 50V	[M]
C654	ECBT1H561KB5	560P 50V	[M]
C656	ECBT1E103ZF5	0.01 25V	[M]
C657	ECBT1E103ZF5	0.01 25V	[M]
C658	ECEA1HKA0R1B	0.1 50V	[M]
C659	ECEA1HKA0R1B	0.1 50V	[M]
C660	ECEA1HKA0R1B	0.1 50V	[M]
C661	ECEA1HKA0R1B	0.1 50V	[M]
C662	ECBT1H473ZF5	0.047 50V	[M]
C663	ECEA1HKAR33B	0.33 50V	[M]
C664	ECBT1H102KB5	1000P 50V	[M]
C665	ECBT1H101KB5	100P 50V	[M]
C666	ECBT1H102KB5	1000P 50V	[M]
C667	ECEA1AKA101B	100 10V	[M]
C668	ECEA1HKAR33B	0.33 50V	[M]
C669	ECBT1E103ZF5	0.01 25V	[M]

Ref. No.	Part No.	Part Name & Description	Remarks
C670	ECEA1HKAR33B	0.33 50V	[M]
C672	ECBT1H561KB5	560P 50V	[M]
C673	ECBT1H101KB5	100P 50V	[M]
C674	F1D1H1040002	0.1 50V	[M]
C675	ECBT1C472KR5	4700P 16V	[M]
C676	ECBT1C472KR5	4700P 16V	[M]
C677	ECBT1C472KR5	4700P 16V	[M]
C678	ECBT1H101KB5	100P 50V	[M]
C679	ECBT1H104ZF5	0.1 50V	[M]
C680	ECBT1H561KB5	560P 50V	[M]
C681	ECBT1E223ZF5	0.022 25V	[M]
C682	ECBT1E223ZF5	0.022 25V	[M]
C700	ECEA1HKA2R2B	2.2 50V	[M]
C701	ECJ1VB1H472K	4700P 50V	[M]
C702	ECJ1VB1H561K	560P 50V	[M]
C703	ECJ1VB1H102K	1000P 50V	[M]
C704	ECJ1VB1E103K	0.01 25V	[M]
C705	ECEA1HKA4R7B	4.7 50V	[M]
C706	ECEA1AKA221Q	220 10V	[M]
C707	ECEA1HKA4R7B	4.7 50V	[M]
C708	ECUV1C104KBV	0.1 16V	[M]
C709	ECJ1VC1H120J	12P 50V	[M]
C710	ECJ1VC1H120J	12P 50V	[M]
C711	ECJ1VB1A105K	1 10V	[M]
C712	ECJ1VB1A105K	1 10V	[M]
C713	ECJ1VB1A105K	1 10V	[M]
C714	ECJ1VB1A105K	1 10V	[M]
C715	ECEA1CKA101B	100 16V	[M]
C716	ECEA1CKA470B	47 16V	[M]
C717	ECEA1CKA101B	100 16V	[M]
C718	ECJ1VB1A105K	1 10V	[M]
C719	ECUV1C104KBV	0.1 16V	[M]
C720	ECUV1C104KBV	0.1 16V	[M]
C721	ECJ1VB1A105K	10 10V	[M]
C722	ECUV1C104KBV	0.1 16V	[M]
C724	ECUV1C104KBV	0.1 16V	[M]
C725	ECEA1CKA101B	100 16V	[M]
C727	ECJ1VB1H102K	1000P 50V	[M]
C728	ECJ1VB1H102K	1000P 50V	[M]
C729	ECJ1VC1H101K	100P 50V	[M]
C730	F1H1H821A761	820P 50V	[M]
C731	ECJ1VB1E103K	0.01 25V	[M]
C732	ECEA1CKA100B	10 16V	[M]
C733	ECUV1C104KBV	0.1 16V	[M]
C734	F1H1C473A088	0.047 16V	[M]
C735	ECJ1VB1A154K	0.15 10V	[M]
C736	ECJ1VB1H562K	5600P 50V	[M]
C737	ECJ1VF1H473Z	0.047 50V	[M]
C738	F1H1E473A062	0.047 25V	[M]
C741	ECEA1CKA100B	10 16V	[M]
C742	ECJ1VB1E103K	0.01 25V	[M]
C743	ECJ1VB1C683K	0.068 16V	[M]
C744	ECJ1VB1C683K	0.068 16V	[M]
C745	ECJ1VB1C683K	0.068 16V	[M]
C746	F1H1E473A062	0.047 25V	[M]
C747	ECEA1CKA470B	47 16V	[M]
C748	ECEA1CKA101B	100 16V	[M]
C749	ECUV1C104KBV	0.1 16V	[M]
C750	ECUV1C104KBV	0.1 16V	[M]
C751	ECJ1VB1H102K	1000P 50V	[M]
C752	ECJ1VB1H102K	1000P 50V	[M]
C753	ECJ1VB1C683K	0.068 16V	[M]
C754	ECUV1C104KBV	0.1 16V	[M]
C755	ECUV1C104KBV	0.1 16V	[M]
C756	ECJ1VB1C683K	0.068 16V	[M]
C757	ECJ1VB1H102K	1000P 50V	[M]
C758	ECJ1VB1H102K	1000P 50V	[M]
C759	ECEA1HKA010B	1 50V	[M]
C760	ECEA1CKA101B	100 16V	[M]
C761	ECUV1C104KBV	0.1 16V	[M]
C762	ECEA1HKA2R2B	2.2 50V	[M]
C763	ECJ1VB1H332K	3300P 50V	[M]
C764	ECUV1C104KBV	0.1 16V	[M]
C765	ECUV1C104KBV	0.1 16V	[M]

Ref. No.	Part No.	Part Name & Description	Remarks
C766	ECJ2VB1C154K	0.15 16V	[M]
C767	ECEA1HKAR15B	0.15 50V	[M]
C768	ECEA1HKA010B	1 50V	[M]
C769	ECEA1HKA010B	1 50V	[M]
C770	ECUV1C104KBV	0.1 16V	[M]
C771	ECJ1VB1H102K	1000P 50V	[M]
C772	ECJ1VB1H102K	1000P 50V	[M]
C773	ECEA1CKA100B	10 16V	[M]
C823	ECEA1HKN4R7B	4.7 50V	[M]
C901	ECBT1H101KB5	100P 50V	[M]
C902	ECBT1H101KB5	100P 50V	[M]
C916	ECEA1HKA4R7B	4.7 50V	[M]
C917	ECBT1H102KB5	1000P 50V	[M]
C918	ECEA1HKA3R3B	3.3 50V	[M]
C919	ECBT1H471KB5	470P 50V	[M]
C950	ECA1HM101B	100 50V	[M]
C951	ECQE1104KF3	0.1 100V	[M]
C952	ECQE1104KF3	0.1 100V	[M]
C953	ECKR2H103ZF5	0.01 500V	[M]
C954	F2A1V472A155	4700P 35V	[M]
C955	ECA1JM101B	100 63V	[M]
C956	ECKR1H103MD5	0.01 50V	[M]
C957	ECA2AM100B	10 100V	[M]
C958	ECKR1H102ZF5	1000P 50V	[M]
C959	ECA1CM102B	1000 16V	[M]
C960	ECA1CM102B	1000 16V	[M]
C961	ECKR1H102ZF5	1000P 50V	[M]
C962	ECKR1H103MD5	0.01 50V	[M]
C963	ECEA1AKA470B	47 10V	[M]
C980	F1D1H1040002	0.1 50V	[M]
C983	F1D1H1040002	0.1 50V	[M]
C990	F1D1H1040002	0.1 50V	[M]
C993	F1D1H1040002	0.1 50V	[M]
C1000	ECKR2H103ZF5	0.01 500V	[M]
C1001	F1H1H103A753	0.01 50V	[M]
C1002	ECEA1HKN2R2B	2.2 50V	[M]
C1003	ECUV1H152KBV	1500P 50V	[M]
C1006	ECEA1HKA010B	1 50V	[M]
C1007	FOA2A472A015	4700P 100V	[M]
C1008	ECEA1HKA010B	1 50V	[M]
C1009	ECEA1CKA470B	47 16V	[M]
C1010	ECA1EM101B	100 25V	[M]
C1011	ECQV1H473JZ3	0.047 50V	[M]
C1012	ECJ1VB1H102K	1000P 50V	[M]
C1013	ECJ1VB1H102K	1000P 50V	[M]
C1014	ECJ1VB1H102K	1000P 50V	[M]
C1015	ECJ1VB1H102K	1000P 50V	[M]
C1016	ECJ1VB1H222K	2200P 50V	[M]
C1017	ECJ1VB1H222K	2200P 50V	[M]
C1018	ECJ1VB1H103K	0.01 50V	[M]
C1019	ECJ1VB1H102K	1000P 50V	[M]
C1020	ECJ1VB1H471K	470P 50V	[M]
C1021	ECJ1VB1H471K	470P 50V	[M]
C1022	ECJ1VB1H102K	1000P 50V	[M]
C1023	ECJ1VB1H102K	1000P 50V	[M]
C1026	ECEA0JKA470B	47 6.3V	[M]
C1027	ECJ1VB1H102K	1000P 50V	[M]
C1030	ECEA1AKA101B	100 10V	[M]
C1031	ECEA1AKA101B	100 10V	[M]
C1032	F1C1C183A001	0.018 16V	[M]
C1033	F1C1C183A001	0.018 16V	[M]
C1034	ECEA1HKA3R3B	3.3 50V	[M]
C1035	ECEA1HKA3R3B	3.3 50V	[M]
C1036	ECJ1VB1C333K	0.033 16V	[M]
C1037	ECEA1HKA3R3B	3.3 50V	[M]
C1038	ECJ1VB1H221K	220P 50V	[M]
C1039	ECJ1VB1H221K	220P 50V	[M]
C1040	ECEA1CKA100B	10 16V	[M]
C1041	ECEA1CKA100B	10 16V	[M]
C1042	ECEA1CKA220B	22 16V	[M]
C1043	ECEA1HKA4R7B	4.7 50V	[M]
C1044	ECEA1AKA330B	33 10V	[M]
C1045	ECEA1AKA220B	22 10V	[M]
C1046	ECEA1CKA221B	220 16V	[M]

Ref. No.	Part No.	Part Name & Description	Remarks
C1047	ECEA1HKA010B	1 50V	[M]
C1048	ECEA1HKA010B	1 50V	[M]
C1049	ECJ1VB1H102K	1000P 50V	[M]
C1050	ECJ1VB1H102K	1000P 50V	[M]
C1051	ECEA1HKA010B	1 50V	[M]
C1052	ECEA1HKA010B	1 50V	[M]
C1053	ECA1CM221B	220 16V	[M]
C1054	ECEA1HKA3R3B	3.3 50V	[M]
C1055	ECEA1HKA0R1B	0.1 50V	[M]
C1056	ECEA1CKA100B	10 16V	[M]
C1057	ECJ1VB1H102K	1000P 50V	[M]
C1058	ECJ1VB1H102K	1000P 50V	[M]
C1059	ECJ1VB1H103K	0.01 50V	[M]
C1060	ECJ1VB1H103K	0.01 50V	[M]
C1064	ECEA1HKA3R3B	3.3 50V	[M]
C2001	F2G0J1010013	100P 6.3V	[M]
C2002	EEVFC0J101P	100P 6.3V	[M]
C2003	ECUVNC104ZV	0.1 16V	[M]
C2004	ECUVNC104ZV	0.1 16V	[M]
C2005	ECUVNC104ZV	0.1 16V	[M]
C2006	ECUVNC104ZV	0.1 16V	[M]
C2011	ECUV1C104KBV	0.1 16V	[M]
C2012	ECUV1C104KBV	0.1 16V	[M]
C2015	ECJ1VC1H102J	1000P 50V	[M]
C2016	ECUV1H821JCV	820P 50V	[M]
C2021	ECJ1VB1H472K	4700P 50V	[M]
C2023	ECJ1VC1H102J	1000P 50V	[M]
C2031	ECJ1VF1A105Z	1 10V	[M]
C2032	ECJ1VF1A105Z	1 10V	[M]
C2033	F1H0J1050013	1 6.3V	[M]
C2034	ECJ1VB1C153K	0.015 16V	[M]
C2035	ECJ1VC1H221J	220P 50V	[M]
C2036	ECUV1C104KBV	0.1 16V	[M]
C2037	ECJ1VB1C103K	0.01 16V	[M]
C2051	ECJ1VB1C333K	0.033 16V	[M]
C2052	ECJ1VC1H330J	33P 50V	[M]
C2053	ECUVNC104ZV	0.1 16V	[M]
C2054	ECUVNC104ZV	0.1 16V	[M]
C2055	ECUVNC104ZV	0.1 16V	[M]
C2056	ECJ1VB1C103K	0.01 16V	[M]
C2057	ECJ1VC1H181J	180P 50V	[M]
C2058	ECJ1VB1C183K	0.018 16V	[M]
C2059	ECJ1VB1H562K	5600P 50V	[M]
C2060	ECUV1C104KBV	0.1 16V	[M]
C2501	EEVFC0J221P	220P 6.3V	[M]
C2502	ECEV1CA101WP	100 16V	[M]
C2503	ECEV1CA220WR	22 16V	[M]
C2504	ECUVNC104ZV	0.1 16V	[M]
C2505	ECUVNC104ZV	0.1 16V	[M]
C2506	ECUVNC104ZV	0.1 16V	[M]
C2507	ECUVNC104ZV	0.1 16V	[M]
C2508	ECUVNC104ZV	0.1 16V	[M]
C2509	EEVFC1C100R	10P 16V	[M]
C2510	ECUVNC104ZV	0.1 16V	[M]
C2511	ECUVNC104ZV	0.1 16V	[M]
C2512	ECUVNC104ZV	0.1 16V	[M]
C2513	ECUVNC104ZV	0.1 16V	[M]
C3001	F2G0J331A015	330P 6.3V	[M]
C3002	F2G0J331A015	330P 6.3V	[M]
C3003	ECUVNC104ZV	0.1 16V	[M]
C3004	ECUVNC104ZV	0.1 16V	[M]
C3005	ECUVNC104ZV	0.1 16V	[M]
C3006	ECUVNC104ZV	0.1 16V	[M]
C3007	ECUVNC104ZV	0.1 16V	[M]
C3008	ECUVNC104ZV	0.1 16V	[M]
C3009	ECUVNC104ZV	0.1 16V	[M]
C3010	ECUVNC104ZV	0.1 16V	[M]
C3011	ECUVNC104ZV	0.1 16V	[M]
C3012	ECUVNC104ZV	0.1 16V	[M]
C3013	ECUVNC104ZV	0.1 16V	[M]
C3014	ECUVNC104ZV	0.1 16V	[M]
C3015	ECUVNC104ZV	0.1 16V	[M]
C3016	ECUVNC104ZV	0.1 16V	[M]
C3017	ECUVNC104ZV	0.1 16V	[M]

Ref. No.	Part No.	Part Name & Description	Remarks
C3018	ECUVNC104ZFV	0.1 16V	[M]
C3019	ERJ3GEYJ331V	330 1/16W	[M]
C3020	ECUVNC104ZFV	0.1 16V	[M]
C3021	ECUVNC104ZFV	0.1 16V	[M]
C3022	ECUVNC104ZFV	0.1 16V	[M]
C3023	ECUVNC104ZFV	0.1 16V	[M]
C3024	ECUVNC104ZFV	0.1 16V	[M]
C3025	ECUVNC104ZFV	0.1 16V	[M]
C3026	ECUVNC104ZFV	0.1 16V	[M]
C3027	ECUVNC104ZFV	0.1 16V	[M]
C3028	ECUVNC104ZFV	0.1 16V	[M]
C3029	ECUVNC104ZFV	0.1 16V	[M]
C3031	ECUVNC104ZFV	0.1 16V	[M]
C3032	ECUVNC104ZFV	0.1 16V	[M]
C3033	ECUVNC104ZFV	0.1 16V	[M]
C3041	ECJ1VC1H220J	22P 50V	[M]
C3051	ECUVNC104ZFV	0.1 16V	[M]
C3052	ECUVNC104ZFV	0.1 16V	[M]
C3053	ECUVNC104ZFV	0.1 16V	[M]
C3054	ECUVNC104ZFV	0.1 16V	[M]
C3055	ECUVNC104ZFV	0.1 16V	[M]
C3056	ECUVNC104ZFV	0.1 16V	[M]
C3057	ECUVNC104ZFV	0.1 16V	[M]
C3058	ECUVNC104ZFV	0.1 16V	[M]
C3059	ECUVNC104ZFV	0.1 16V	[M]
C3060	ECUVNC104ZFV	0.1 16V	[M]
C3061	ECUVNC104ZFV	0.1 16V	[M]
C3062	ECUVNC104ZFV	0.1 16V	[M]
C3101	F2G0J331A015	330P 6.3V	[M]
C3102	ECUVNC104ZFV	0.1 16V	[M]
C3103	ECUVNC104ZFV	0.1 16V	[M]
C3104	ECUVNC104ZFV	0.1 16V	[M]
C3105	F1H0J1050013	1 6.3V	[M]
C3106	F1H0J1050013	1 6.3V	[M]
C3107	ECUVNC104ZFV	0.1 16V	[M]
C4201	F2G0J331A015	330P 6.3V	[M]
C4202	F3F1A106A001	10 10V	[M]
C4203	ECUVNC104ZFV	0.1 16V	[M]
C4206	F2G0J330A015	33P 6.3V	[M]
C4208	ECUVNC104ZFV	0.1 16V	[M]

Ref. No.	Part No.	Part Name & Description	Remarks
C4209	ECUVNC104ZFV	0.1 16V	[M]
C4210	ECUVNC104ZFV	0.1 16V	[M]
C4212	ECUVNC104ZFV	0.1 16V	[M]
C5101	EEVHB1C100R	10P 16V	[M]
C5102	ECUVNC104ZFV	0.1 16V	[M]
C5103	ECUVNC104ZFV	0.1 16V	[M]
C5111	EEVHB0J470R	47P 6.3V	[M]
C5115	EEVHB0J470R	47P 6.3V	[M]
C5123	ECUVNC104ZFV	0.1 16V	[M]
C5151	ECUVNC104ZFV	0.1 16V	[M]
C5152	F3F1A106A001	10 10V	[M]
C5201	ECUVNC104ZFV	0.1 16V	[M]
C5202	ECUVNC104ZFV	0.1 16V	[M]
C5203	ECUVNC104ZFV	0.1 16V	[M]
C5221	EEE0JA330WR	33P 6.3V	[M]
C5222	ECUVNC104ZFV	0.1 16V	[M]
C5223	EEE1EA4R7SR	4.7P 25V	[M]
C5225	ECUVNC104ZFV	0.1 16V	[M]
C5226	EEE1EA4R7SR	4.7P 25V	[M]
C5231	ECUV1C104KBV	0.1 16V	[M]
C5232	ECUV1C104KBV	0.1 16V	[M]
C6201	ECUVNC104ZFV	0.1 16V	[M]
C6202	ECUV1H101JCV	100P 50V	[M]
C6251	ECUV1C104KBV	0.1 16V	[M]
C6252	F1H0J1050013	1 6.3V	[M]
C6253	ECJ1VB1C103K	0.01 16V	[M]
C6255	EEE0JA101SP	100P 6.3V	[M]
C6261	ECUVNC104ZFV	0.1 16V	[M]
C6262	ECUVNC104ZFV	0.1 16V	[M]
C6301	ECUVNC104ZFV	0.1 16V	[M]
C6302	ECUVNC104ZFV	0.1 16V	[M]
C6351	ECUVNC104ZFV	0.1 16V	[M]
C6561	EEE0JA330WR	33P 6.3V	[M]
C6562	EEE0JA330WR	33P 6.3V	[M]
C6563	ECUVNC104ZFV	0.1 16V	[M]
C6564	ECUVNC104ZFV	0.1 16V	[M]
C6565	ECJ1VC1H150J	15P 50V	[M]
C6566	ECJ1VC1H150J	15P 50V	[M]
C6567	ECUVNC104ZFV	0.1 16V	[M]
C6568	ECJ1VC1H150J	15P 50V	[M]

25.5. Packing Materials & Accessories Parts List

Ref. No.	Part No.	Part Name & Description	Remarks
		PACKING MATERIALS	
P1	RPGX1332	PACKING CASE	[M]
P2	RPNX0270	POLYFOAM	[M]
P3	RPFX0007	MIRAMAT BAG	[M]
		ACCESSORIES	

Ref. No.	Part No.	Part Name & Description	Remarks
A1	N2QAJB000118	REMOTE CONTROL	[M]
A2	RJA0019-2K	AC CORD	[M] △
A2	RJA0053-3X	AC CORD	[M] △
A3	RQT7705-L	O/I BOOK (En)	[M]
A3	RQT7706-A	O/I BOOK (Pe/Ar)	[M]
A4	N1DADYY00002	AM LOOP ANT	[M]
A5	RSA0006-J	FM ANT	[M]
A6	RJL1P016B15A	VIDEO CABLE	[M]

25.6. Packaging

