

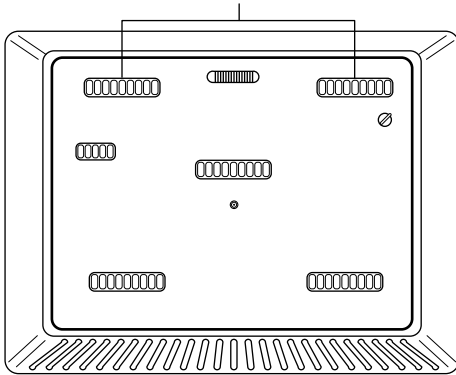
12. How to disassemble of freezing compartment

12-1 COVER-EVAP.ASSY'Y

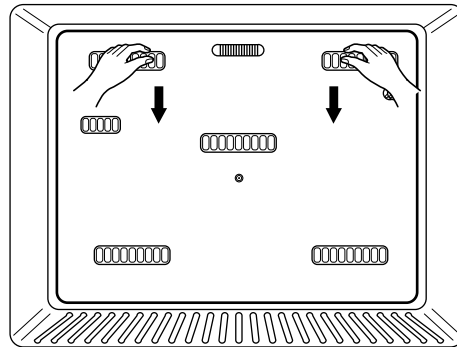
1) Take out the items in the freezer

2) Dry off the wetness in the handle.

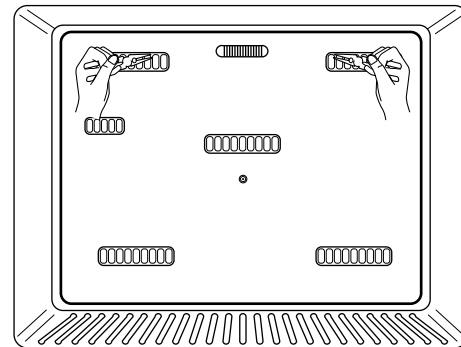
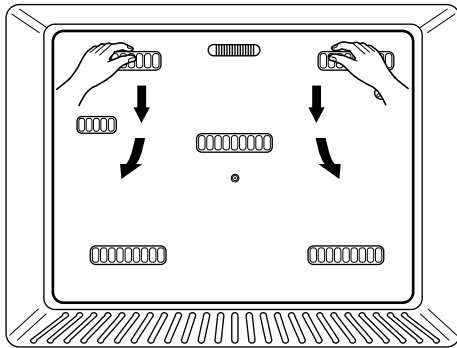
Handle



3) Hold the handle with the hand and press the elbow towards the COVER-EVAP, ASSY and press force downwards.



4) While pressing force downwards, pull the handle towards the front at the same time.



Reference : to improve the friction of the handle, use rubber gloves or pick-up tongs.

5) When the COVER-EVAP, ASSY is taken apart, take the necessary corrective measures and this time put them together.

