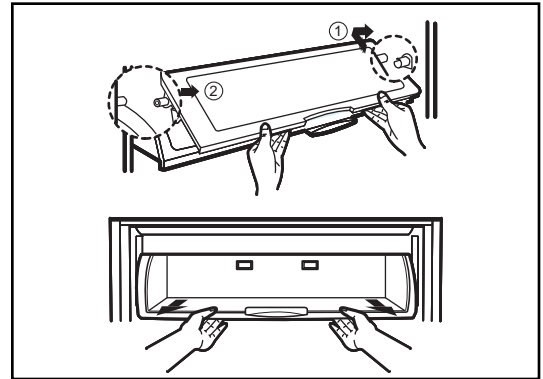


# 13. How to disassemble of refrigerating compartment

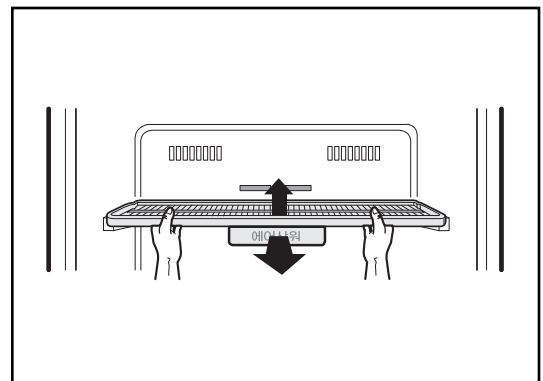
1. Remove the super fresh compartment cover and its shelf.

- Lift up the cover, push the cover (as shown) until the mounting hook (1) disengages, then disengage the other mounting hook (2) and pull out the cover.
- Pull the shelf forward until it stops, then lift it up and pull it out.

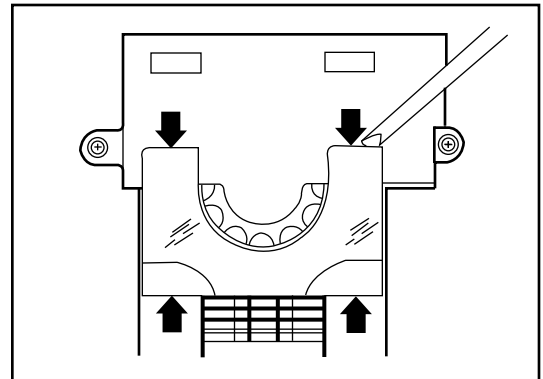


2. Remove the shelves from the fresh food compartment.

- First remove food from the compartment. With shelf front raised slightly, pull it forward to disengage.



3. Disengage the hooks on the lamp cover of the damper cover.



4. Replace the bulb.

- (Before replacing, check the voltage and current of the bulb. Use rated bulbs only.)

