



Service Manual

Microwave oven

AVM 561/White

Model Version		Page
AVM 561/White 8538 561 10291		
	Introduction safety	2
	Technical data	3
	Spare part list	4
	Exploded view	5
	Wiring diagram	6

Introduction safety

INTRODUCTION

Before leaving the factory each oven is carefully checked.
It must, however, be installed and used correctly.

Despite all the steps taken to make the oven safe, the safety is dependent on the correct installation and the fact the user understands how to use and maintain the oven.

The information in this section should be used as a reminder that the oven is safe and that anyone who uses it must first read the instructions for use in order to be able to use the oven correctly and obtain best results.

SAFETY

To avoid injury to yourself and damage to the appliance always work to the following rules when servicing an oven.

Always disconnect the plug from the mains before starting work.

If there is no plug switch off the electric supply at the control box.

When you have finished servicing an oven before you reconnect it to the mains, make sure that:

- all the internal connections are correct
- the wires are insulated and not touching the door or the cabinet or anything sharp
- all the earth connections are electrically and mechanically sound
- do not modify or anyway interfere with the safety devices built-in to the oven

- make sure that each replacement part you use conforms to the manufacturer's specifications

Do not start a repair if you have any doubt as to your ability to complete it.

CAUTION - MICROWAVE RADIATION

PERSONNEL SHOULD NOT BE EXPOSED TO THE MICROWAVE ENERGY WHICH MAY RADIATE FROM THE MAGNETRON, WAVEGUIDE OR ANTENNA IF THEY ARE IMPROPERLY USED OR CONNECTED. ALL INPUT AND OUTPUT MICROWAVE CONNECTIONS, WAVEGUIDES, FLANGES AND GASKETS MUST BE SECURE. NEVER OPERATE THE DEVICE WITHOUT A MICROWAVE ENERGY ABSORBING LOAD ATTACHED. NEVER LOOK INTO AN OPEN WAVEGUIDE OR ANTENNA WHILE THE DEVICE IS ENERGIZED. NEVER OPERATE AN OVEN WITH CABINET OFF WITHOUT MEASURING THE MICROWAVE LEAKAGE AROUND MAGNETRON AND VISIBLE MICROWAVE CONNECTIONS (WELDING JOINTS).

Do not operate the oven if the following conditions exist:

- the door does not close firmly against the door support because of the door being warped or the hinges damaged.
- The door trims or seals are damaged.
- If there is any visible damage to the oven.
- if the door does not close properly.

Avoid operating the oven if known components in the interlock system, oven door or microwave generating assembly are known defective. They must be replaced.

WARNING - HIGH VOLTAGE

IT IS POSSIBLE TO COME IN CONTACT WITH LETHAL HIGH VOLTAGE WHEN WORKING WITH HV TRANSFORMER, HV CAPACITOR AND MAGNETRON. THEREFORE NEVER TRY TO MEASURE THE HIGH VOLTAGE. ALWAYS TAKE UTMOST CARE WHEN PERFORMING ELECTRIC MEASUREMENTS INSIDE THE OVEN.

Technical data**Dimensions of cabinet**

Height	285	mm
Width	456	mm
Depth	402	mm

Cavity

Cavity volume	17,8	l
---------------	------	---

Electrical

Voltage	230	V
Frequency	50	Hz
Power consumption	1250	W
Current consumption	8	A

Power

Output power MW	800	W
Output power Grill	1000	W
Microwave frequency	2450	MHz

Timer

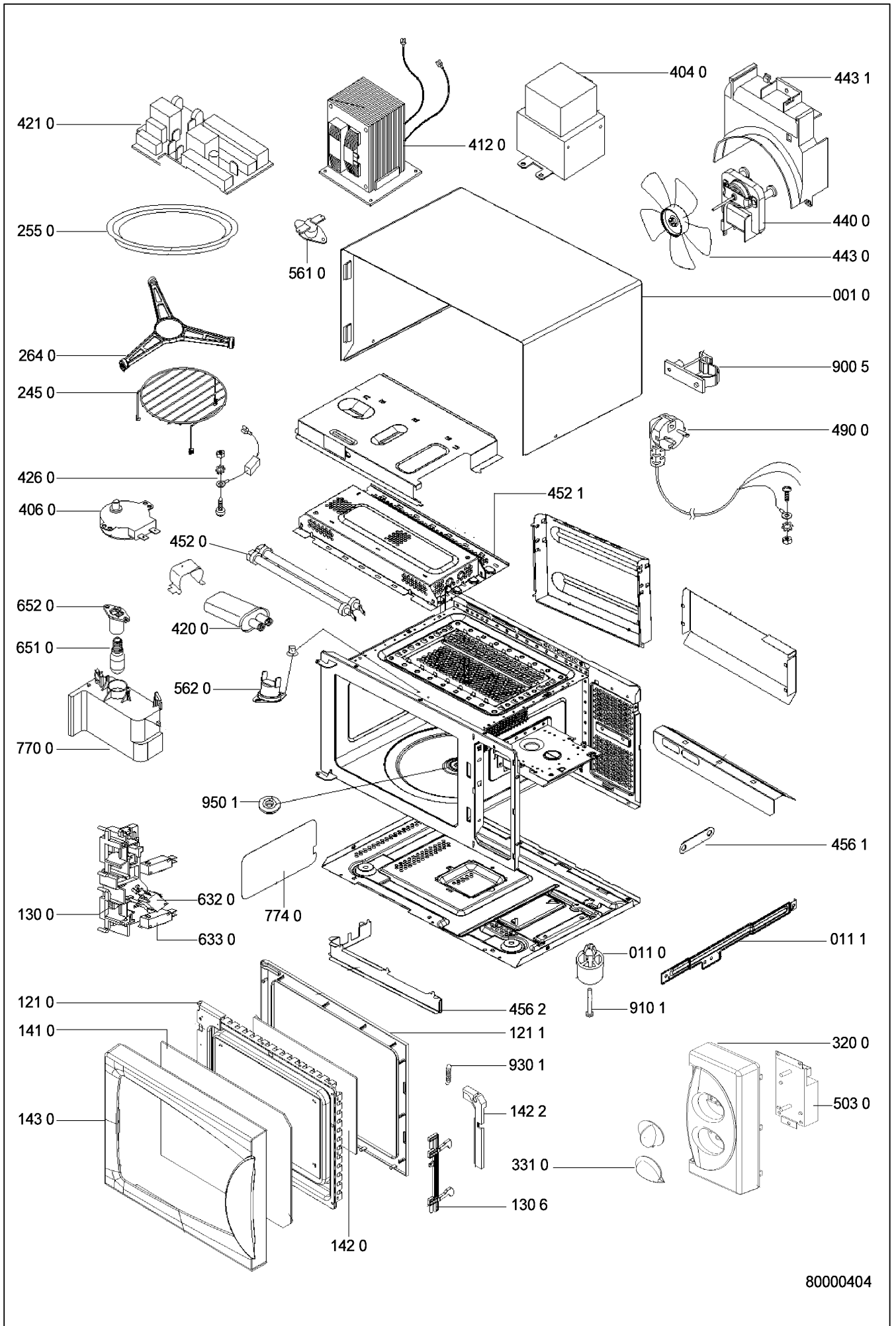
Mechanical	60 min. 5-level microwave power level
------------	------------------------------------------

Spare part list

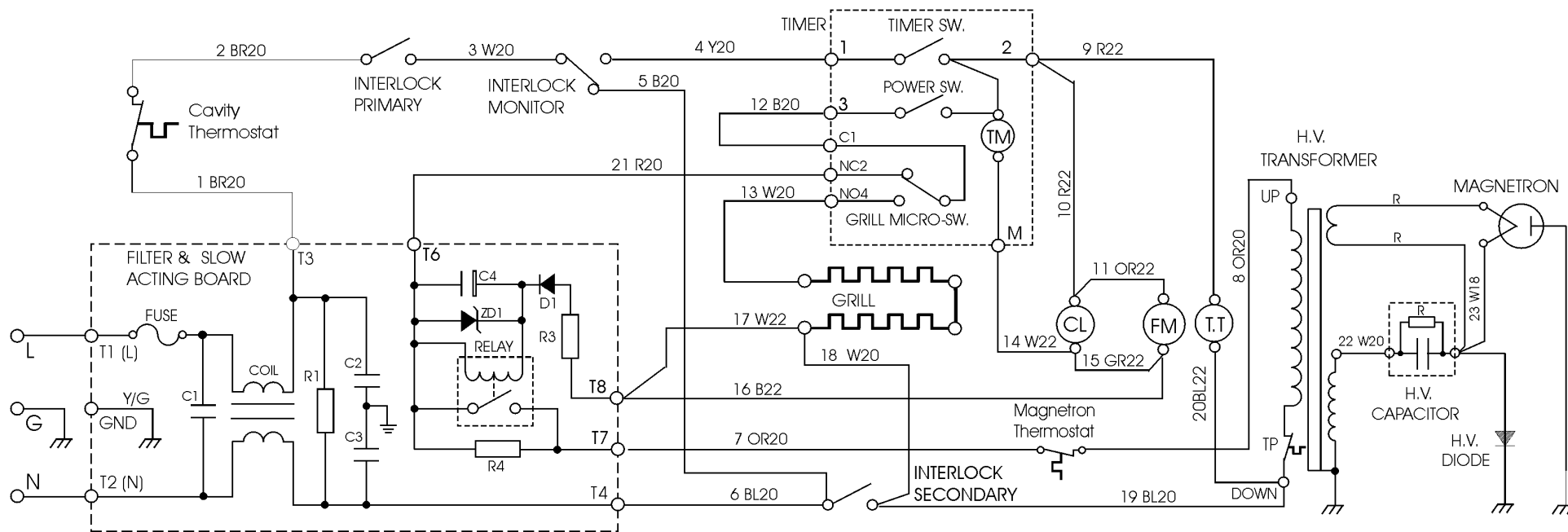
Model AVM 561/White
Service No. 853856110291
Version 853856110291

Pos. No.	12NC Code	Description
001 0	4812 442 69211	Cabinet
011 0	4819 902 00694	Foot
011 1	4812 462 79806	Support front/back
121 0	4812 459 48126	Door, inner
121 1	4812 459 48128	Door frame inner
130 0	4812 404 78516	Switch holder
130 6	4812 404 78517	Hook for door
141 0	4812 450 58611	Oven glass outer
142 0	4812 459 48127	Oven glass inner
142 2	4812 459 48129	Support door glass
143 0	4812 459 48131	Door frame outer
245 0	4812 458 19102	Grid grill
255 0	4812 466 78398	Turntable glass
264 0	4812 535 78063	Rail Driver TT
320 0	4812 453 59514	Panel, control
331 0	4812 412 78819	Knob
331 9	4819 902 00619	Bushing spring for knob
404 0	4819 131 58019	Magnetron
406 0	4812 361 18348	Motor TT
412 0	4812 145 28009	Transformer HV
420 0	4812 121 58135	Capacitor HV
421 0	4812 121 18237	Filter + slowacting board
426 0	4812 218 38134	Diode HV
440 0	4812 361 18347	Motor fan
443 0	4812 515 28091	Fan wheel (five)
443 1	4812 515 28093	Air guide fan
452 0	4812 259 98388	Heating element quartz assy.
452 1	4812 325 18017	Grill reflector
456 1	4812 259 28826	Plate tube connector
456 2	4812 259 28827	Tube support
490 0	4812 321 18167	Cable mains assy.
503 0	4812 282 19241	Timer combined
561 0	4812 282 48265	Thermostat (145°C)
562 0	4812 282 48264	Thermostat (165°C)
632 0	4819 902 00651	Microswitch monitor
633 0	4819 902 00611	Switch interlock/monitor
651 0	4812 134 28074	Lamp (20W)
652 0	4812 134 28073	Lamp holder
770 0	4812 526 48119	Air guide
774 0	4812 442 29137	Cover mica plate
900 5	4819 404 79411	Bracket for cable
910 1	4819 902 00565	Pin
930 1	4819 902 00868	Spring
950 1	4812 532 68104	Seal water proof

Exploded view



Wiring diagram



MT-032

Oven door opened

- | | | | |
|----|--------|-----|-----------------|
| B | Black | CL | Cavity lamp |
| BL | Blue | FM | Fan motor |
| BR | Brown | TM | Timer motor |
| G | Green | T.T | Turntable motor |
| GR | Grey | | |
| OR | Orange | | |
| R | Red | | |
| W | White | | |
| Y | Yellow | | |

4812 714 78089