

# Service Manual



## Contents

The Service Guide of MDD-716/719T.....	1-4
Exploded View.....	5-12
Schematic Circuit Diagram.....	13-20
PCB Layout.....	21-22
Bill of materials.....	23-33



# The Service Guide of MDD-716/719T

## 1. The Unit can not be powered on.

- 1) Check whether there is a fuse in the filter box of power line or whether the fuse has been blown.
- 2) If the unit can not be powered on yet, change the power line.
- 3) If the unit still can not be powered on, you should check whether the reset button is pushed down by the front panel.
- 4) If the unit can not be powered on yet after the above operation, you should change the mainboard part.

## 2. No display

- 1) Check whether the connection of video output is right.
- 2) If there is no display yet, change the video output line.
- 3) If there is no display yet, change the mainboard part.
- 4) If there is no display after the above operation, you should change the video driver board part.

## 3. Shut down automatically

- 1) Check whether the power supply is accord with the specification.
- 2) Check whether the fuse in the filter box of the power line has been blown.
- 3) Check whether the ACC is connected to the high level (The ACC is connected to the battery generally).
- 4) If the trouble is still not solved yet, check the connection between the front panel and the mainboard. If necessary, change the connector.
- 5) If the unit shuts down automatically yet after the above operation, you should change the mainboard part.

## 4. No audio output

- 1) Check whether the MUTE key is pressed.
- 2) Check whether the Fast Forward key or the Fast backward key is pressed.
- 3) Check whether now playing has audio.
- 4) Change the audio output line.
- 5) If there is no audio output yet, change the mainboard part.
- 6) If the trouble is not solved yet after the above operation, change the loader part.

## 5. AUX-IN function failure

- 1) Check whether the AUX-IN input line is available.
- 2) If the AUX-IN function is viod yet, change the mainboard part.

6. TV/NAVI function failure

- 1) Check whether the connection is right.
- 2) the TV/NAVI function is viod yet, change the mainboard part.

7. The fan can not work normally.

- 1) Check whether the power supply is turned on.
- 2) Check whether the power socket of the fan is connected firmly.
- 3) Chang a good fan.
- 4) If the fan can not turn yet after the above operation, chang the mainboard.

8. The color of TFT is abnormal

- 1) Check whether the video output of rear zone is normal.
- 2) If the video output of rear zone is normal, that is to say the decode works normally, and you should check the connection between the mainboard and the TFT unit.
- 3) If the video output of rear zone is abnormal, change the mainboard part.
- 4) If the color of TFT is abnormal yet after the above operation, change the video driver board part.

9. White screen

- 1) Check the connection between the loader and the mainboard, the mainboard and the power supply board of TFT, the power supply board of TFT and the TFT.
- 2) If the trouble is still not solved, change the power supply board of TFT.
- 3) If the trouble is still not solved after the above operation, change the Display part.

10. Black screen(No display in the TFT)

- 1) Check the connection between the loader and the mainboard, the mainboard and the power supply board of TFT, the power supply board of TFT and the TFT.
- 2) Check whether the background lights are illumed. If not, change the CCFL board.
- 3) If there is no display in the TFT, change the display part.
- 4) If there is still no display in the TFT after the above operation, change the mainboard part.

11. Blue screen

- 1) Check whether the video output of rear zone is normal.
- 2) Check whether the source can normally change. And have sound output
- 3) If yes,check the reverse detect line.
- 4) If not, change the mainboard part.

- 5) If not yet, change the video driver board part.
12. The icon of MUTE displays in the TFT at all times
- 1) Check whether there is any audio output.
  - 2) If the audio output is normal, change the mainboard part. If the trouble is still not solved, change the display part.
  - 3) If the audio output is abnormal, change the mainboard part. If the trouble is still not solved, change the loader part.
13. Key function failure
- 1) Check whether the key in the front panel is available.
  - 2) Check the connection between the front panel and the mainboard. If necessary, change the FFC connector.
  - 3) If the key in the front panel is void, change the front panel part.
14. Remote controller function failure
- 1) Check whether the key in the front panel is valid.
  - 2) If the key in the front panel is valid, that is to say the mainboard works normally. Check whether the battery of the remote controller is available or change another one good.
  - 3) If the key in the front panel is void, you should check the connection between the front panel and the mainboard. If necessary, change the FFC connector.
  - 4) If the trouble is still not solved yet, change the front panel.
  - 5) If the trouble is still not solved yet, change the mainboard part.
15. No display in the LCD
- 1) Make sure the TFT unit is closed.
  - 2) If there is no display in the LCD also, you should change the LCD board.
16. Display in the LCD is abnormal
- 1) Check the connection between the mainboard and keypad .
  - 2) If the display of LCD is abnormal, you should change the LCD board.
17. No volume display in the TFT
- 1) Check whether the volume knob is available.
  - 2) Check whether there is volume display in the TFT using the remote controller to adjust the volume.
  - 3) If there is volume display in the TFT using the remote controller to adjust the volume, that is to say the display part and the mainboard part work normally, you should change the front panel part.

- 4) If there is no volume display in the TFT using the remoter control to adjust the volume, change the mainboard part.
- 5) If the trouble is still not solved yet, change the display part.

#### 18. The picture of playback is not fluent

- 1) Check whether the disc is dirty, scratched or deformed.
- 2) Check whether the lens of pick-up is dirty and clean it.
- 3) If the picture of playback is not fluent yet, you should change the loader part.

#### 19. Loading failure

- 1) Check whether the disc you want playback is accord with the specification.
- 2) Check the connection between the pick-up mechanism and the servo&MPEG board. If necessary, change the loader part.

#### 20. Can not insert one disc

- 1) Check whether there is another disc in the unit.
- 2) Check the connection between the loader part and the mainboard part. If necessary, change the connector.
- 3) If the trouble still exists, change the loader part.
- 4) If the trouble is still not solved after the above operation, change the mainboard part.

#### 21. Can not eject the disc

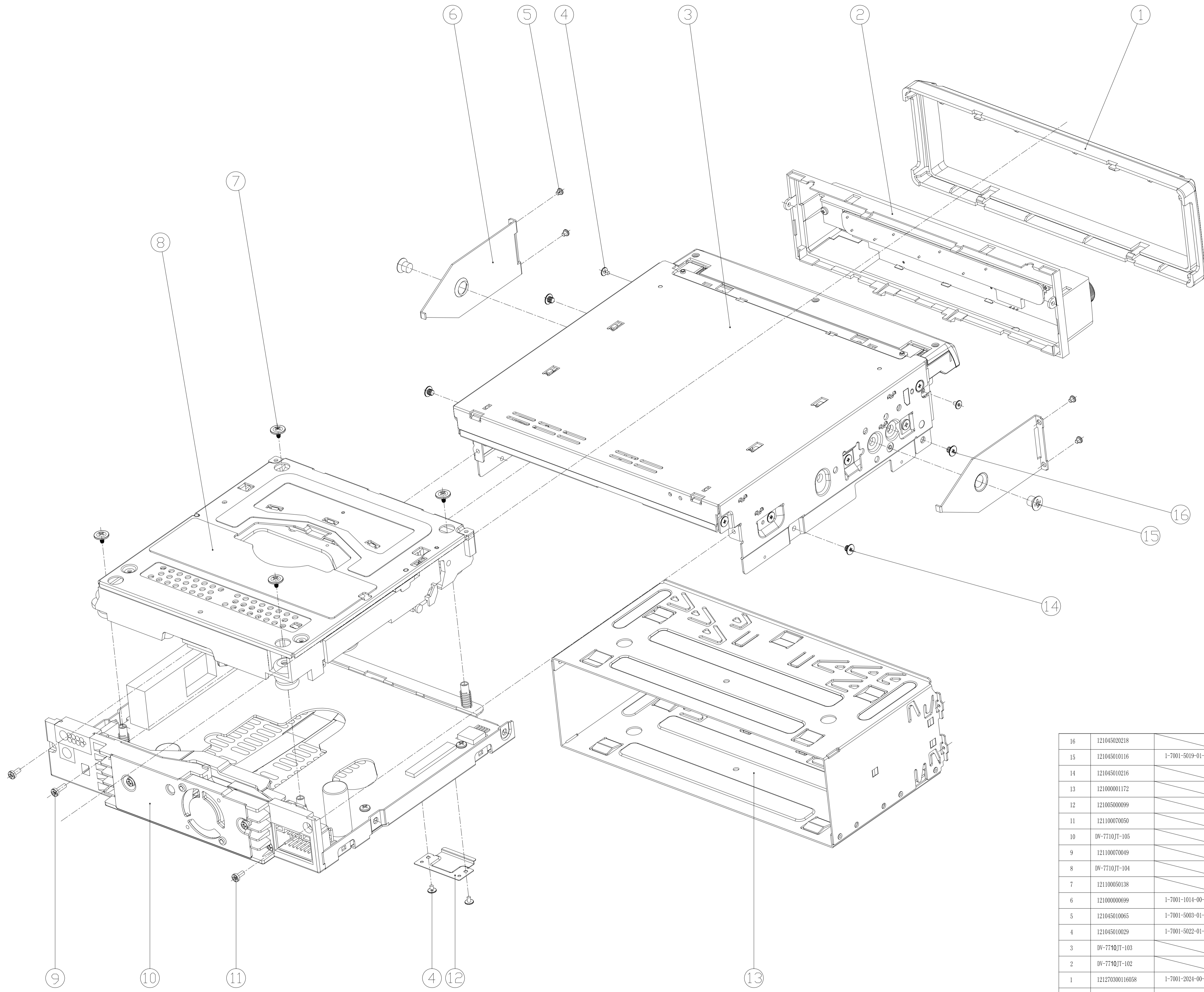
- 1) Check the connection between the front panel and the mainboard.
- 2) Check the connection between the mainboard and the loader.
- 3) If the trouble is still not be solved, change the loader.
- 4) If the trouble is still not be solved after changing the loader, change the mainboard.

#### 22. Eject the disc automatically

- 1) Check the connection between the loader and the mainboard.
- 2) If the trouble still exists, change the loader.
- 3) If the trouble is not solved yet after changing the loader, you should change the mainboard.

RANGE	TOLERANCE
0-5	±0.10
5-20	±0.15
20-50	±0.20
50-100	±0.25
100-200	±0.30
200	±0.50
ANGLE	±30'

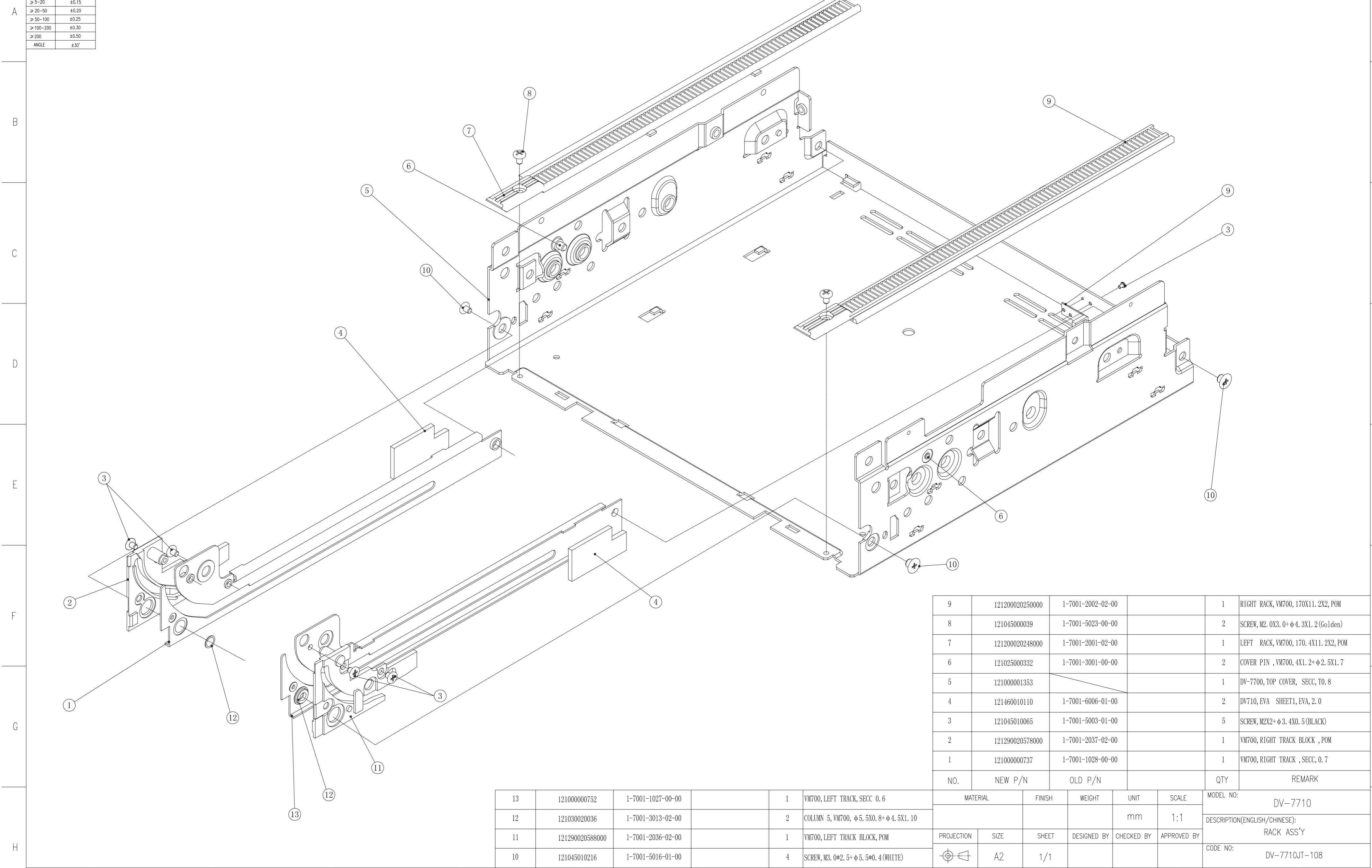
REV. NO.	YY/MM/DD	DESCRIPTION	BY	CHK	APP



16	121045020218			2	SCREW, CM, WHITE Z1NK, M3*3.5					
15	121045010116	1-7001-5019-01-00		2	SCREW, M3X5+φ7.6X2.2					
14	121045010216			2	SCREW, CM, WHITE Z1NK, M3*2.5					
13	121000001172			1	DW-7520, HOUSING, SECC, 0.8mm					
12	121005000099			1	DW7300, FPC Cover, SUS, 0.3mm					
11	121100070050			2	SCREW, BM, WHITE Z1NK, M2.6*5.0-φ4.2*1.6					
10	DW-7710JT-105			1	DW-7710, BOTTOM COVER ASS'Y					
9	121100070049			1	SCREW, BM, WHITE Z1NK, M2.6*7.5+φ4.2*1.6					
8	DW-7710JT-104			1	DW-7710, CORE ASS'Y					
7	121100050138			4	SCREW, P/M, WHITE Z1NK, M2.0*1.0					
6	121000000699	1-7001-1014-00-00		2	VM700, LONG BKT, SECC, 0.8					
5	121045010065	1-7001-5003-01-00		4	SCREW, M2X2+φ3.4X0.5 (BLACK)					
4	121045010029	1-7001-5022-01-00		4	SCREW, M1.7, 2.6, F4, 4X0.5					
3	DW-7710JT-103			1	DW-7710, TOP COVER ASS'Y					
2	DW-7710JT-102			1	DW-7710, FRONT PANEL ASS'Y					
1	121270300116058	1-7001-2024-00-05		1	DW710P, RING, ABS					
NO.	NEW P/N	OLD P/N		QTY	REMARK					
MATERIAL					FINISH	WEIGHT	UNIT	SCALE	MODEL NO:	DW-7710
							mm	1:1	DESCRIPTION(ENGLISH/CHINESE):	
									ALL IN ONE ASS'Y	
PROJECTION					SIZE	SHEET	DESIGNED BY	CHECKED BY	APPROVED BY	CODE NO:
A1					1/1					DW-7710JT-101

RANGE	TOLERANCE
0-5	±0.10
≥ 5-20	±0.15
≥ 20-50	±0.20
≥ 50-100	±0.25
≥ 100-200	±0.30
≥ 200	±0.50
ANGLE	±30'

REV NO.	YY/MM/DD	DESCRIPTION	QTY	SKN	APP



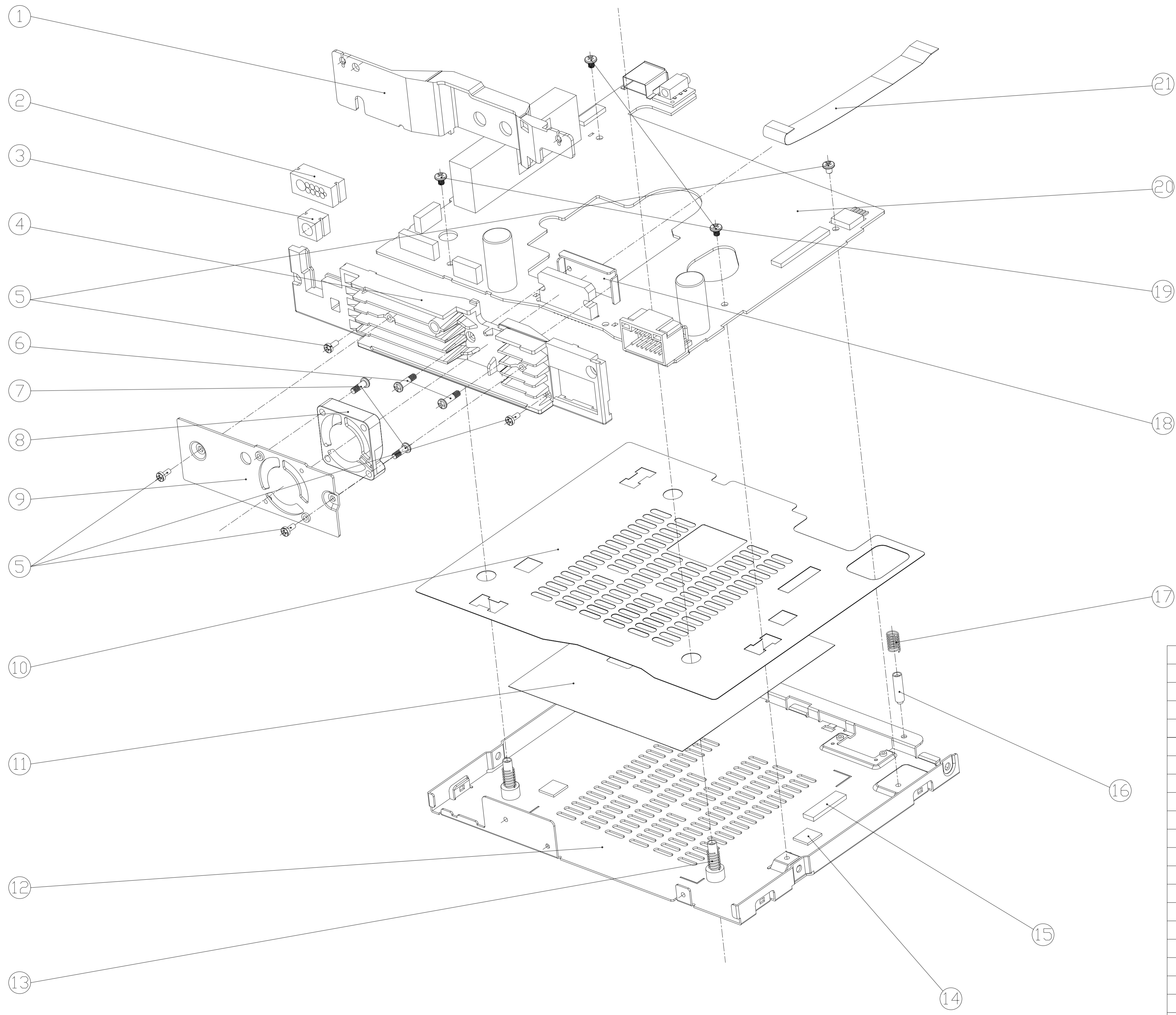
9	121200020250000	1-7001-2002-02-00	1	RIGHT RACK, VM700, 170X11. 2X2, POM
8	121045000039	1-7001-5023-00-00	2	SCREW, M2. 0X3. 0+φ4. 3X1. 2(Golden)
7	121200020248000	1-7001-2001-02-00	1	LEFT RACK, VM700, 170. 4X11. 2X2, POM
6	121025000332	1-7001-3001-00-00	2	COVER PIN , VM700, 4X1. 2+φ2. 5X1. 7
5	121000001353		1	DV-7700, TOP COVER, SECC, T0. 8
4	121460010110	1-7001-6006-01-00	2	DV710, EVA SHEET1, EVA, 2. 0
3	121045010065	1-7001-5003-01-00	5	SCREW, M2X2+φ3. 4X0. 5 (BLACK)
2	121290020588000	1-7001-2037-02-00	1	VM700, RIGHT TRACK BLOCK , POM
1	121000000737	1-7001-1028-00-00	1	VM700, RIGHT TRACK , SECC, 0. 7
NO.	NEW P/N	OLD P/N	QTY	REMARK

13	121000000752	1-7001-1027-00-00	1	VM700, LEFT TRACK, SECC 0. 6	MATERIAL	FINISH	WEIGHT	UNIT	SCALE	MODEL NO:
12	121030020036	1-7001-3013-02-00	2	COLUMN 5, VM700, φ5. 5X0. 8+φ4. 5X1. 10				mm	1:1	DV-7710
11	121290020588000	1-7001-2036-02-00	1	VM700, LEFT TRACK BLOCK, POM	PROJECTION	SIZE	SHEET	DESIGNED BY	CHECKED BY	APPROVED BY
10	121045010216	1-7001-5016-01-00	4	SCREW, M3. 0*2. 5+φ5. 5*0. 4 (WHITE)	第一角	A2	1/1			

DESCRIPTION(ENGLISH/CHINESE):	RACK ASS'Y
CODE NO:	DV-7710JT-108

RANGE	TOLERANCE
0-5	±0.10
≥5-20	±0.15
≥20-50	±0.20
≥50-100	±0.25
≥100-200	±0.30
≥200	±0.50
ANGLE	±30'

REV. NO.	YY/MM/DD	DESCRIPTION	BY	CHK	APP

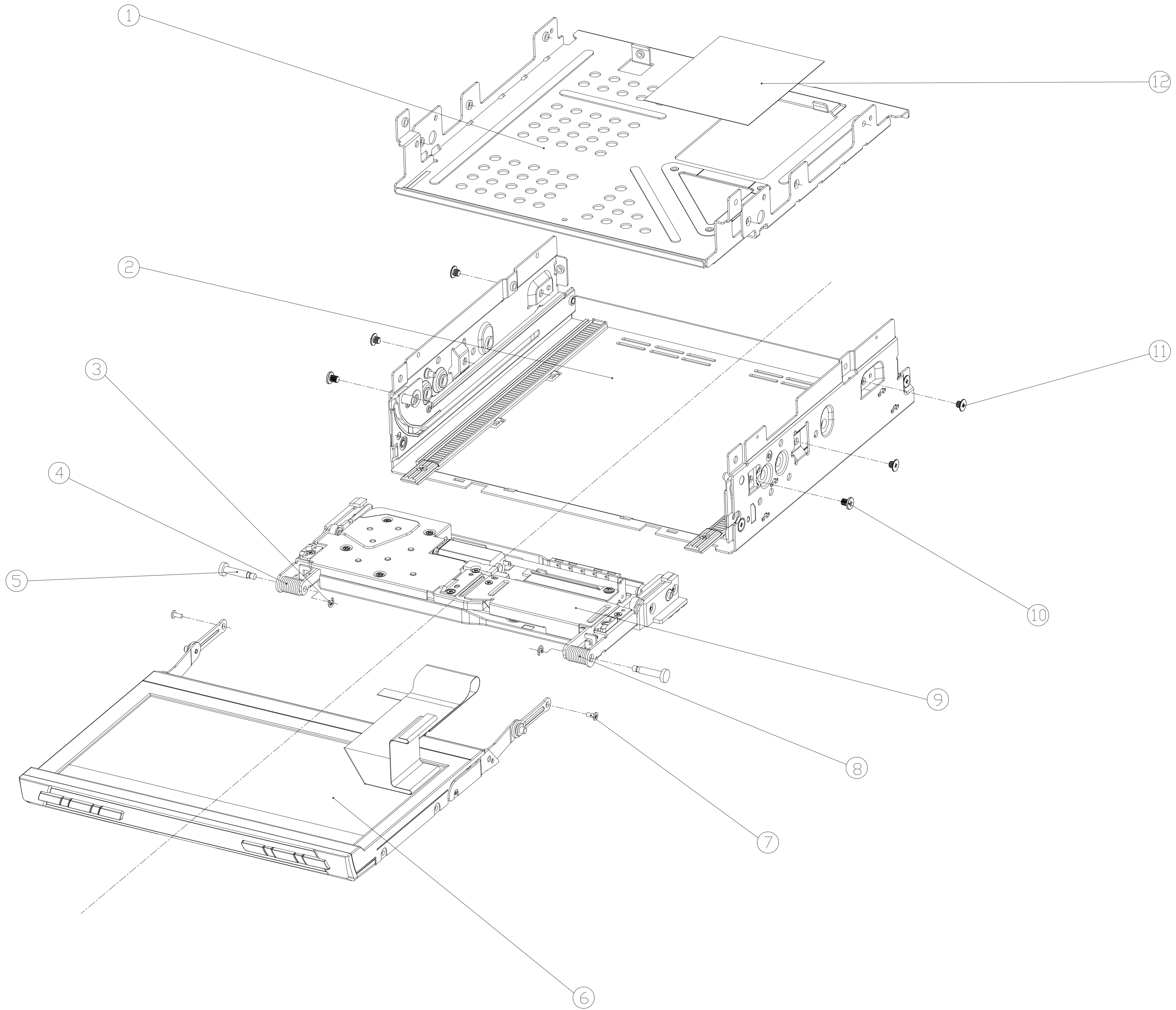


NO.	NEW P/N	OLD P/N	QTY	REMARK
21	123820000269		1	FFC, 24P, 0.50M, 115MM, TYPE A
20	DV-7710JT-106		1	DV-7710, MAIN PCB ASS'Y
19	121045010051		3	SCREW, BM, WHITE ZINC, M2.6*3.5
18	121000001532		1	DV-7700, IC BKT, SECC, TO. 8
17	121035000458		3	DV-7700, SPRING, SMP, φ0.4
16	121090000279		1	DV-7700, COLUMN, SMR2, WHITE, φ4*13.2
15	121490000334		1	DV7700, SILICA GEL 22*6*2
14	121490000333		2	DV7700, SILICA GEL 9.5*8.5*1
13	121035000459		1	DV-7700, SPRING, SMP, φ0.5
12	121000001354		1	DV-7700, BOTTOM COVER, SECC, 0.8mm
11	121450000100		1	DV-7700, DUSTPROOF NET, CLOTH
10	121415000094		1	DV-7700, INSULATING SHEET, PET
9	121000001355		1	DV-7700, FAN SHEET, SECC, T1.0
8	124850010001		1	DC FAN, DFS300612HS1NT, YLTC
7	121100070049		2	SCREW, BM, WHITE ZINC, M2.6*7.5+φ4.2*1.6
6	121045000047		2	SCREW, BM, WHITE ZINC, M2.6*10
5	121100070050		5	SCREW, BM, WHITE ZINC, M2.6*5.0+φ4.2*1.6
4	121015000090		1	DV-7700, HEAT SINK, AL
3	123830000653		1	plgta11_DV-7700
2	123830010583		1	I/O, DV-7700, 16P, CM/A/V CABLE
1	121290001030000		1	DV-7700, LID, PC
NO.	NEW P/N	OLD P/N	QTY	REMARK
				MODEL NO: DV-7710
				DESCRIPTION(ENGLISH/CHINESE): BOTTOM COVER ASS'Y
				CODE NO: DV-7710JT-105



RANGE	TOLERANCE
>0-5	±0.10
5-20	±0.15
20-50	±0.20
50-100	±0.25
100-200	±0.30
>200	±0.50
ANGLE	±30'

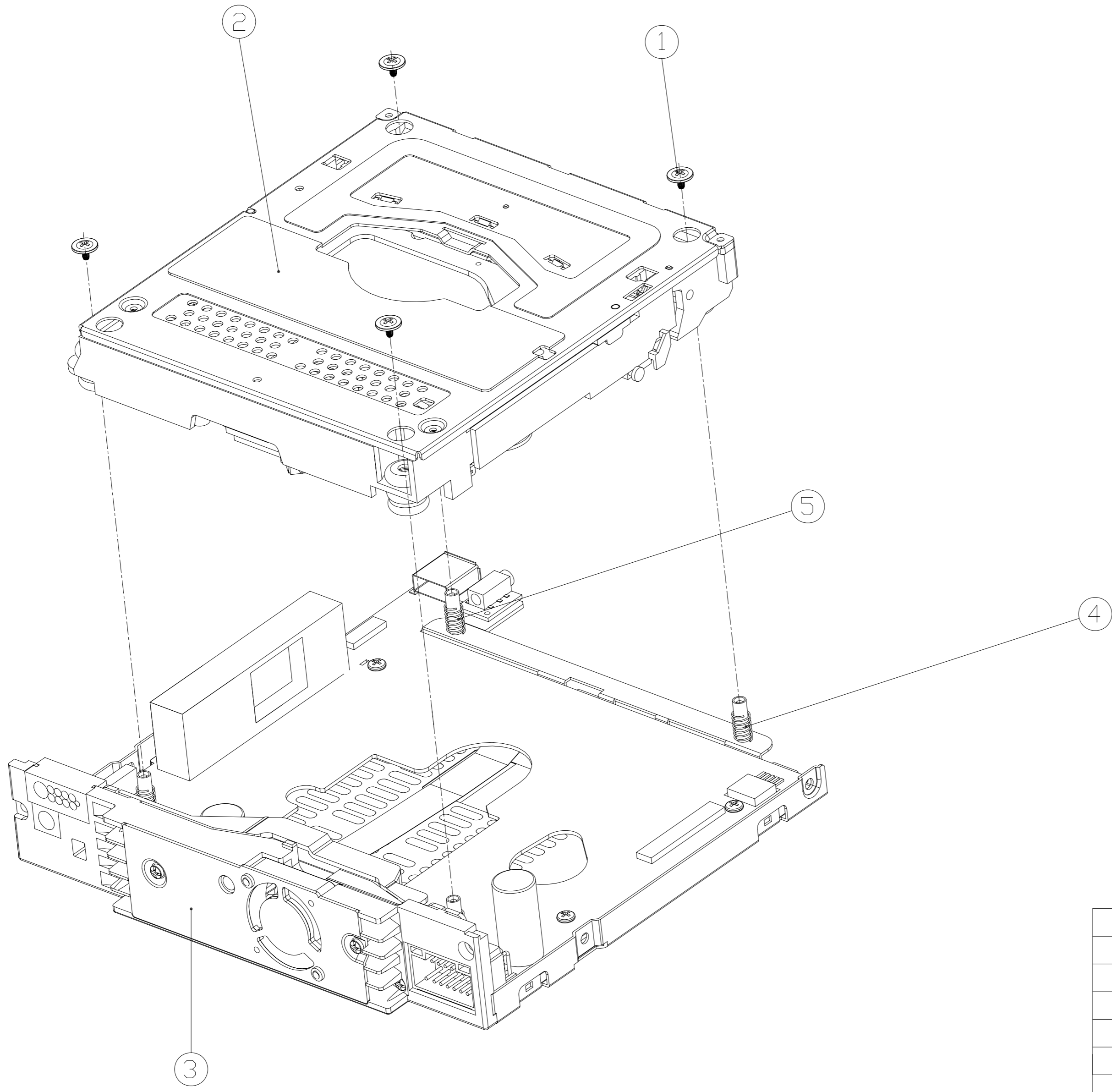
REV. NO.	YY/MM/DD	DESCRIPTION	BY	CHK	APP



12	12146000125				1	DV710, PVC SHEET 1, PVC, 0.2
11	121045010216				4	SCREW, CM, WHITE ZINK, M3*2.5
10	121045020218				2	SCREW, CM, WHITE ZINK, M3*3.5
9	DV-7710JT-106				1	SLIDE BKT ASS'Y
8	121035030264	1-7001-4002-03-00			1	Right Turn Spring, VM700, φ6X9. 2Xφ0.9
7	121045020033	1-7001-5001-02-00			2	SCREW, M1. 7X4+φ3. 4X0. 5(WHITE)
6	DV-7710JT-107				1	SCREEN ASS'Y
5	121025020354	1-7001-3012-02-00			2	SLIDE BKT PIN, VM700, φ6X1. 4+φ3. 8X11. 5
4	121035030241	1-7001-4001-03-00			1	Left Turn Spring, v700, φ6X9. 2Xφ0.9
3	121090000084	2-1712-0045-00-00			2	WASHER 1, DV-710N
2	DV-7710JT-108				1	RACK ASS'Y
1	121000001352				1	DV-7700, MIDDLE BKT, SECC, TO. 8
NO.	NEW P/N	OLD P/N			QTY	REMARK
MATERIAL		FINISH	WEIGHT	UNIT	SCALE	MODEL NO:
				mm	1:1	DV-7710
PROJECTION						DESCRIPTION(ENGLISH/CHINESE):
SIZE						TOP COVER ASS'Y / 顶盖装配图
SHEET						CODE NO:
DESIGNED BY						DV-7710JT-103
CHECKED BY						
APPROVED BY						

RANGE	TOLERANCE
>0-5	±0.10
>5-20	±0.15
>20-50	±0.20
>50-100	±0.25
>100-200	±0.30
>200	±0.50
ANGLE	±30'

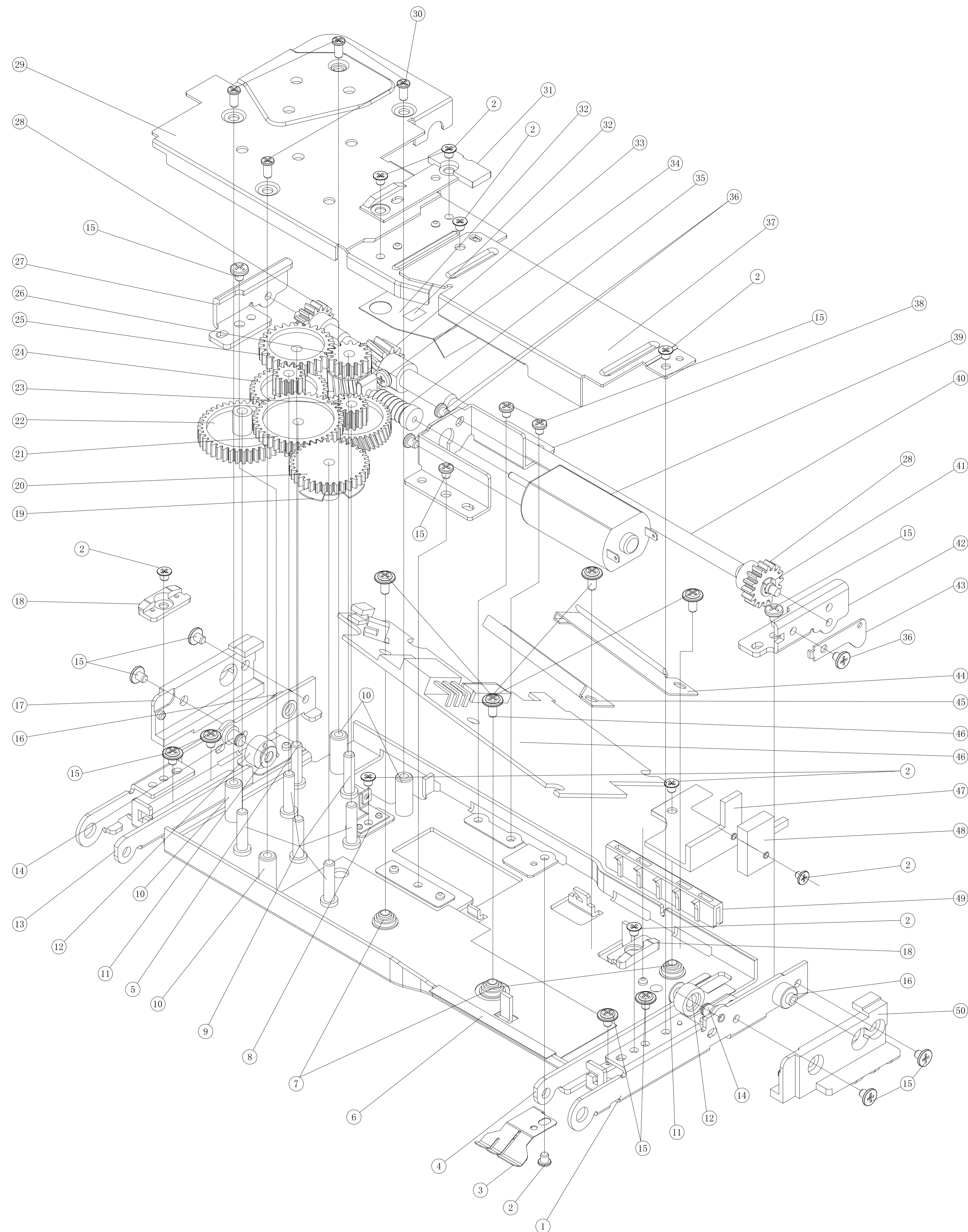
REV. NO.	YY/MM/DD	DESCRIPTION	QTY	SN	APP
△					



5	121035000459			1	DV-7700, SPRING, SWP, φ0.5
4	121035000458			3	DV-7700, SPRING, SWP, φ0.4
3	DV-7710JT-105			1	DV-7710, BOTTOM COVER ASS'Y
2	DV-7710JT-104			1	DV-7710, CORE ASS'Y
1	121100050138			4	SCREW, PWM, WHITE ZINC, M2.0*4.0
NO.	NEW P/N	OLD P/N		QTY	REMARK
MATERIAL				FINISH	WEIGHT
UNIT				SCALE	MODEL NO:
mm				1:1	DV-7710
DESCRIPTION(ENGLISH/CHINESE):				CORE ASS'Y	
PROJECTION				SIZE	SHEET
DESIGNED BY				CHECKED BY	APPROVED BY
CODE NO:				DV-7710JT-106	

RANGE	TOLERANCE
0-5	±0.10
5-20	±0.15
20-50	±0.20
50-100	±0.25
100-200	±0.30
200	±0.50
ANGLE	±30'

REV. NO.	DATE	DESCRIPTION	BY	CHK	APP

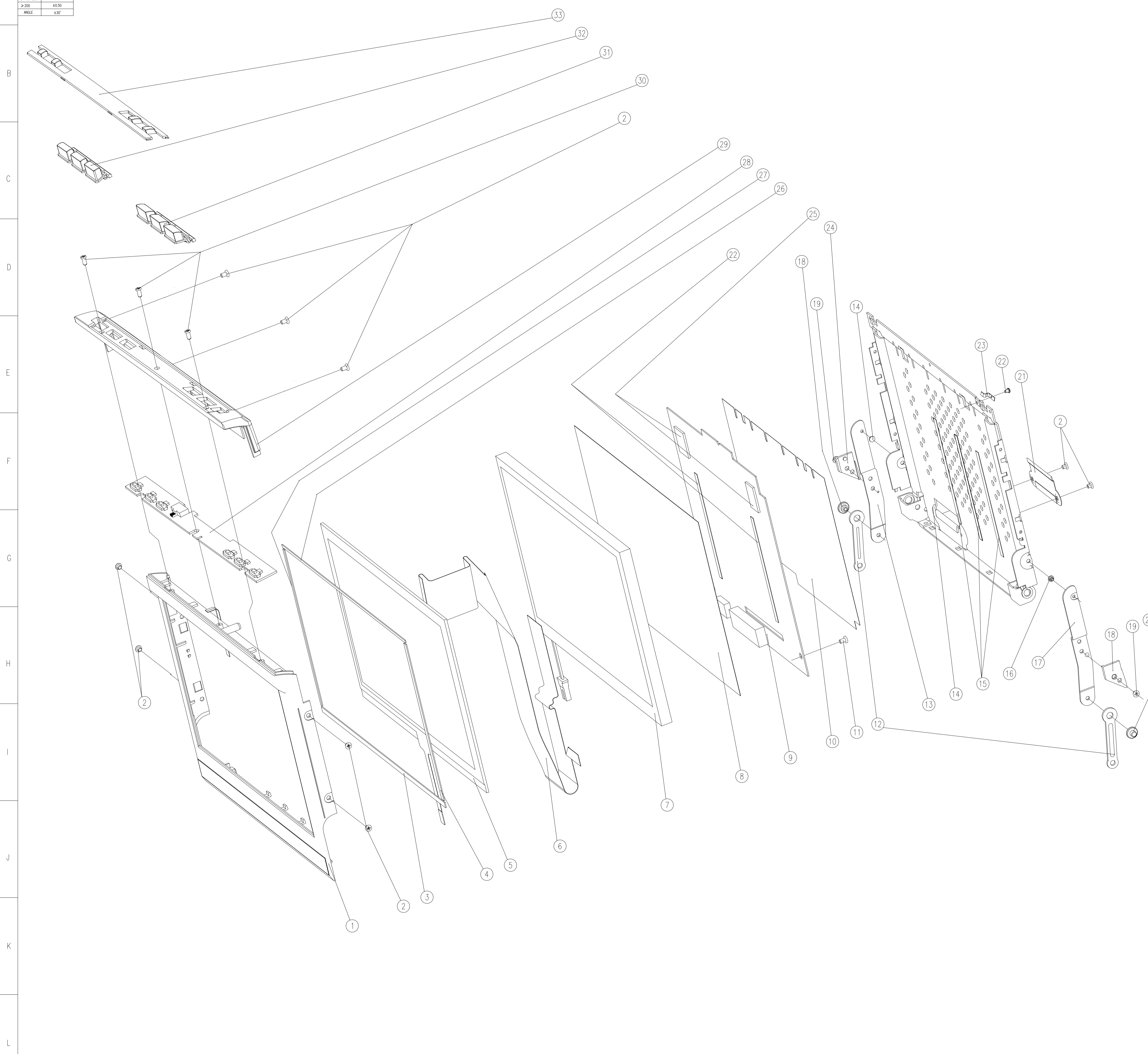


50	1212901058000	1-7001-2034-01-00	1	1	VW700, RIGHT SLIDE BLOCK, POM
49	121290000563	1-7001-2030-00-00	1	1	VW700, SHAFT LIMIT BAR, POM
48	123215000088		1	1	DETECT SW, SPPB120200
47	12100000897		1	1	DV-7510, SWITCH BKT, SECC, 0.8MM
46	121045010074	1-7001-5012-01-00	4	4	SCREW, M2X3.5+φ5X1.2(Golden)
45	121005000110		1	1	DV-7510, 50PIN FFC FRONT BKT, SUS301, 0.4MM
44	121005000109		1	1	DV-7510, 50PIN FFC REAR BKT, SUS301, 0.4MM
43	121005000088	1-7001-1009-00-00	1	1	VW700, SHAFT SPRING, SUS, 0.5
42	121000010743	1-7001-1008-01-00	1	1	VW700, RIGHT SHAFT BKT, SECC, 1.2
41	121090000084	2-1712-0045-00-00	2	2	WASHER 1, DV-710N
40	121025010339	1-7001-3002-01-00	1	1	DRIVER SHAFT, VW700, φ4.5X156.3
39	124825000003	2-2000-1170-00-00	1	1	MOTOR, FF-050SK-11170
38	121000000704	1-7001-1006-00-00	1	1	VW700, MOTOR BKT, SECC, 0.8
37	121000010720	1-7001-1024-01-00	1	1	VW700, WIRE SHEET, SPCC, 0.6
36	121045010068	1-7001-5006-01-00	3	3	SCREW, M2X2+φ3.4X1(Golden)
35	121200000265	1-7001-2010-00-00	1	1	WORM, VW700, φ5X0.4X13.5, POM
34	121045010088	1-7001-5014-01-00	1	1	SCREW, M2X7+φ4.3X1.2
33	121200010241000	1-7001-2012-01-00	1	1	SLOPE GEAR-R, VW700, 11TX0.6MX5.9, PA
32	121445000069	1-7001-6016-00-00	1	1	DOUBLE TAPE 4, DV710, 810HD
32	121460000125	1-7001-6001-00-00	1	1	DV710, PVC SHEET 1, PVC, 0.2
31	121290010572000	1-7001-2031-01-00	1	1	VW700, SMALL BLOCK(C), POM
30	121045010079	1-7001-5011-01-00	4	4	SCREW, M2X4+φ3.4X0.4(BLACK)
29	121000010701	1-7001-1023-01-00	1	1	VW700, GEAR SHEET, SPCC, 0.6
28	121200000245000	1-7001-2011-00-00	2	2	WALK GEAR, VW700, 16TX0.6MX3, POM
27	121000010758	1-7001-1007-01-00	1	1	VW700, LEFT SHAFT BKT, SECC, 1.2
26	121200010243000	1-7001-2008-01-00	1	1	SLOPE GEAR-A, VW700, 15T*0.6M+11T*0.6M, PA
25	121200020253000	1-7001-2007-02-00	1	1	GEAR 5, VW700, 27TX0.6M, PA
24	121200010257000	1-7001-2006-01-00	1	1	GEAR 4, VW700, 34TX0.5M+42TX0.6M, PA
23	121200000252000	1-7001-2003-00-00	1	1	GEAR 1, VW700, 24TX0.4M+13TX0.5M, POM
22	121200000262000	1-7001-2005-00-00	1	1	GEAR 3, VW700, 39TX0.5M, POM
21	121200010264000	1-7001-2004-01-00	1	1	GEAR 2, VW700, 40T X0.5M +42T X0.6M, POM
20	121200030259000	1-7001-2009-03-00	1	1	SPEED GEAR, VW700, 35TX0.5M, POM
19	121005010087	1-7001-1005-01-00	1	1	VW700, SED SHEET, SUS, 0.3
18	121290000570000	1-7001-2032-00-00	2	2	VW700, SMALL BLOCK(S), POM
17	121290010592000	1-7001-2033-01-00	1	1	VW700, LEFT SLIDE BLOCK, POM
16	121025010047	1-7001-3006-01-00	2	2	ROCK SHAFT, VW700, φ5.5X2.8+φ4.5X1.3
15	121045010023	1-7001-5008-01-00	11	11	SCREW, DV620, M2X2.3+φ4.3X1.2(Golden)
14	121025010338	1-7001-3005-01-00	2	2	ROLL SHAFT, VW700, φ4.1X1+φ3X3.3
13	121000000756	1-7001-1021-00-00	1	1	VW700, LEFT PIN BKT, SECC, 1.2
12	121200010268000	1-7001-2035-01-00	2	2	VW700, ROLL, φ7.4*3, POM
11	121090300086	2-1802-8052-30-00	2	2	WASHER 2, DV-710N
10	121025010345	1-7001-3011-01-00	4	4	COLUMN 4, VW700, φ4X9.9+φ2X1.3*H2
9	121025020343	1-7001-3007-02-00	6	6	GEAR SHAFT, VW700, φ4X1+φ2.5X10.4
8	121005010091	1-7001-1026-01-00	1	1	VW700, WORM SPRING, SUS, 0.2
7	121030010038	1-7001-3008-01-00	4	4	COLUMN 1, VW700, φ5X1+φ4X1.3*H2
6	121460020014	1-7001-6002-02-00	1	1	PVC SHEET 2, 91X22
5	121025000349	1-7001-3014-00-00	1	1	GEAR SHAFT2, VW700, φ6X1+φ2.5X10.4
4	121000000741	1-7001-1022-00-00	1	1	VW700, RIGHT PIN BKT, SECC, 1.2
3	121005010078	1-7001-1025-01-00	1	1	VW700, BKT SPRING, SUS, 0.2
2	121045010065	1-7001-5003-01-00	10	10	SCREW, M2X2+φ3.4X0.5(BLACK)
1	121006000006		1	1	DV-7510, SLIDE BKT, SPCC, T=1.0

NO.	NEW P/N	OLD P/N	QTY	REMARK
MATERIAL FINISH WEIGHT UNIT SCALE MODEL NO: DV-7710				
DESCRIPTION(ENGLISH/CHINESE): SLIDE BKT ASS'Y				
PROJECTION SIZE SHEET DESIGNED BY CHECKED BY APPROVED BY CODE NO: DV-7710JT-106				

RANGE	TOLERANCE
0-5	±0.10
5-20	±0.15
20-50	±0.20
50-100	±0.25
100-200	±0.30
200	±0.50
ANGLE	±30'

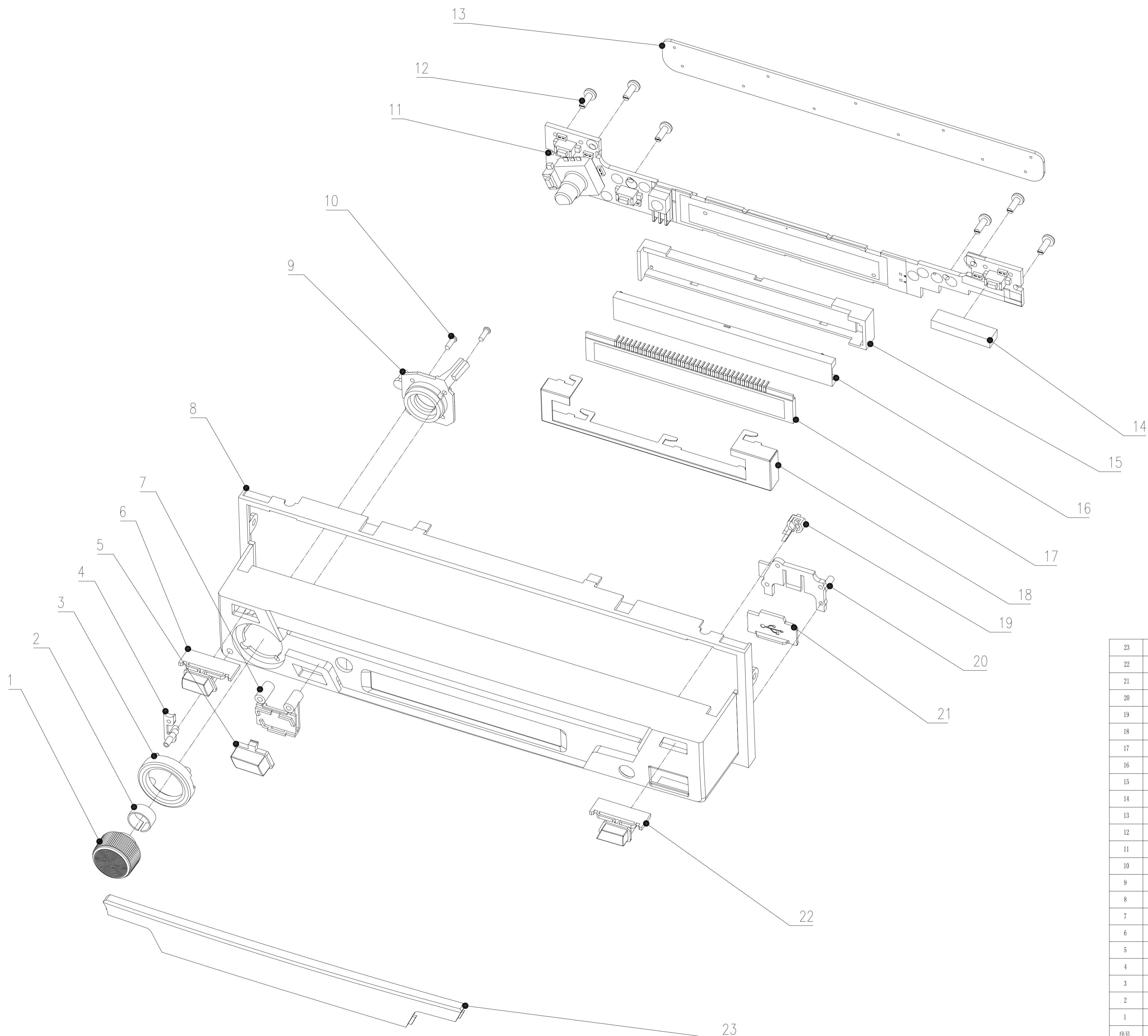
REV NO.	YY/MM/DD	DESCRIPTION	BY	CHK	APP



33	121220000370018				1	DV-7710, SCREEN LENS, PC, BLACK
32	121230201562014				1	DV-7710, BAND BUTON, ABS, METAL, TITANIUM
31	121230201561014				1	DV-7710, OPEN BUTON, ABS, METAL, TITANIUM
30	1211050000001				3	DV-7510, SCREW, SP, BLACK NI, L, 4*5, 0MM
29	121210200815014				1	DV-7710, RF TFT PANEL, PC+ABS, MET, TI
28	8380207710SC3000				1	DV7710 SC AB SMT
27	1214100000062	1-7100-6603-00-00			1	DV-710JSD, LEFT CUSHION, PO, 0.30mm
26	1214100000059	1-7100-6601-00-00			1	DV-710JSD, TOP CUSHION, 0.30mm
25	121090010122	1-7001-1038-01-00			2	GROUND SPRING, VM700, 6, 0X3, 000, 1(thickness)
24	121240030259	1-7001-2023-03-00			1	VM700, RIGHT LINK BLOCK, POM(0B0S)
23	1410000000005				1	VM9311TS, GROUND SPRING
22	1210400003005				1	VM9311TS, SCREW M1.7X1.5
21	1210050000083	1-7001-1019-00-00			1	VM700, SCREEN WE CLIP, SUS, 0.3
20	121025010351	1-7001-3004-01-00			2	ROOD PIN, VM700, φ6X1.3+φ2.9X2.3
19	121045010059	1-7001-5004-01-00			2	SCREW, M2X2+φ3, 4X0.2(BLACK)
18	121240030261	1-7001-2022-03-00			1	VM700, LEFT LINK BLOCK, POM(0B0S)
17	121000000754	1-7001-1010-00-00			1	VM700, LEFT LINK, SECC, 0.8
16	121025020334	1-7001-3003-02-00			2	LINK PIN, VM700, φ3.0X0.4+φ2.0X0.8+φ1.5X0.9
15	121445010067	1-7001-6014-01-00			5	DOUBLE TAPE4, DV710, 810HD
14	141090000127	1-7100-1801-00-00			1	VM9311, SCREEN BOT BRT
13	121000000739	1-7001-1011-00-00			1	VM700, RIGHT LINK, SECC, 0.8
12	121000000734	1-7001-1016-00-00			2	VM700, ROCK, SECC, 1.0
11	121045000036	1-1005-5003-00-00			2	SCREW, M2, 4
10	121460000233	1-7001-6004-03-00			1	DV-7510, PVC SHEET, PVC, 0.1MM
9	83804075231F005				1	DV7523 TFT DIP
8	121415000054				1	DV-7520, TFT SHEET, PVC
7	1234200000003	2-1504-FW01-00-00			1	TFT, A070F003-V4
6	1230200000037				1	PFC, DV-7510, MONOLAYER, MAIN PCB TO TFT 50PIN, 0.5MM
5	1248900000227	2-2000-0780-06-00			1	VM-9311TS, ITO-0812, 1.4mm
4	1214100000061	1-7100-6604-00-00			1	DV-710JSD, RIGHT CUSHION, PO, 0.30mm
3	1214100000060	1-7100-6602-00-00			1	DV-710JSD, BOTTOM CUSHION, PO, 0.30mm
2	121045010062	1-7001-5005-01-02			9	SCREW, M2X2+φ3, 4X0.3(BLACK)
1	121210200804024				1	DV-7710, FR TFT PANEL, PC+ABS, MET+TI
NO.	NEW P/N	OLD P/N	QTY	REMARK		
MATERIAL		FINISH	WEIGHT	UNIT	SCALE	MODEL NO: DV-7710
				mm	1:1	DESCRIPTION(ENGLISH/CHINESE):
PROJECTION		SIZE	SHEET	DESIGNED BY	CHECKED BY	APPROVED BY
A1		1/1				SCREEN ASS'Y/显示屏组件爆炸图
						CODE NO: DV-7710JT-107

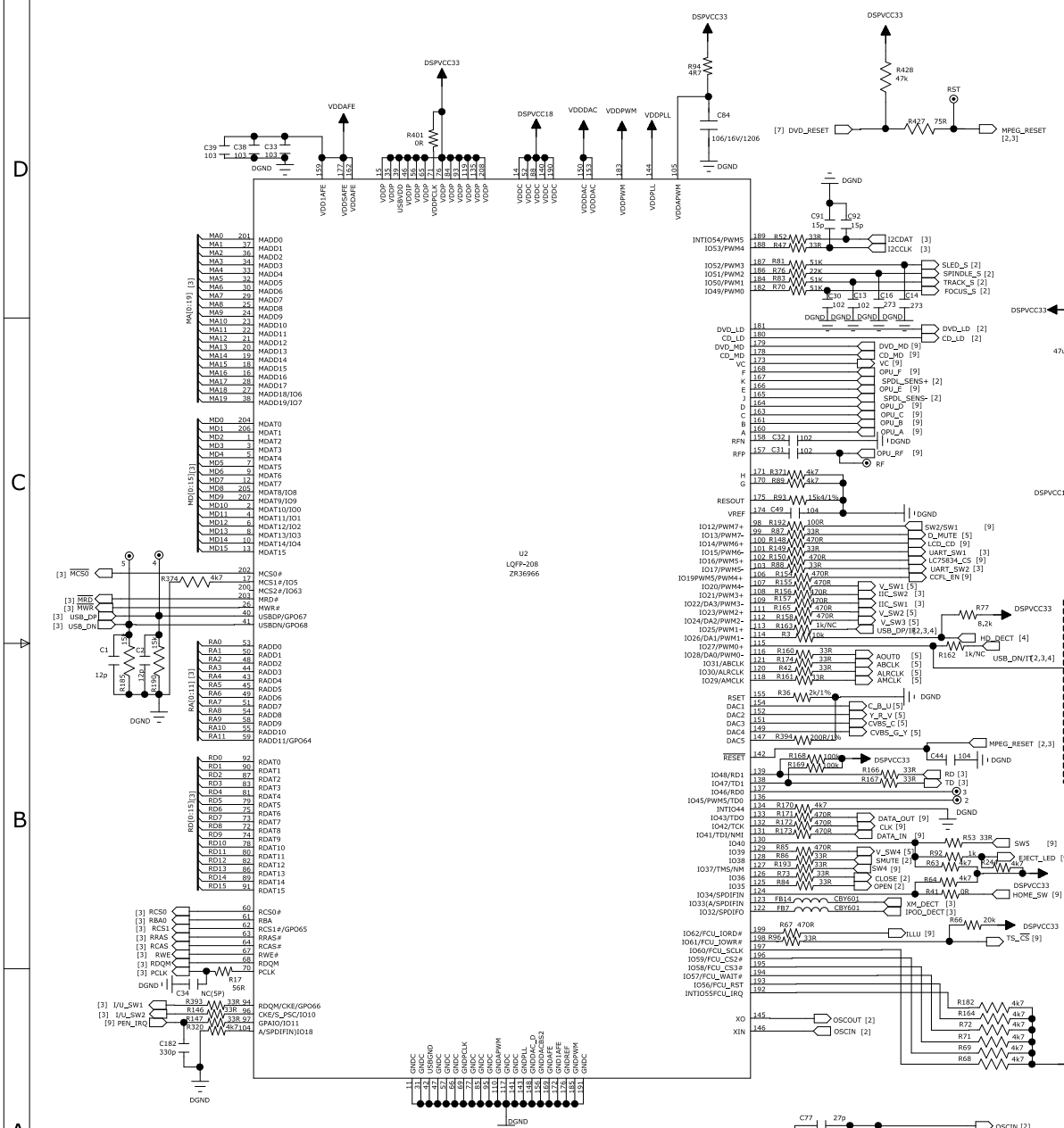
RANGE	TOLERANCE
0-5	±0.10
5-20	±0.15
20-50	±0.20
50-100	±0.25
100-200	±0.30
200	±0.50
ANGLE	±30'

REV NO.	YY/MM/DD	DESCRIPTION	BY	CHK	APP

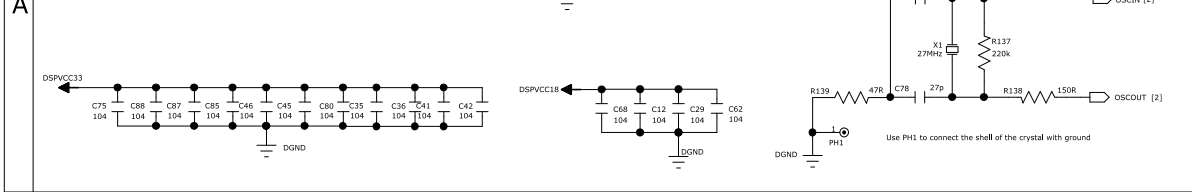
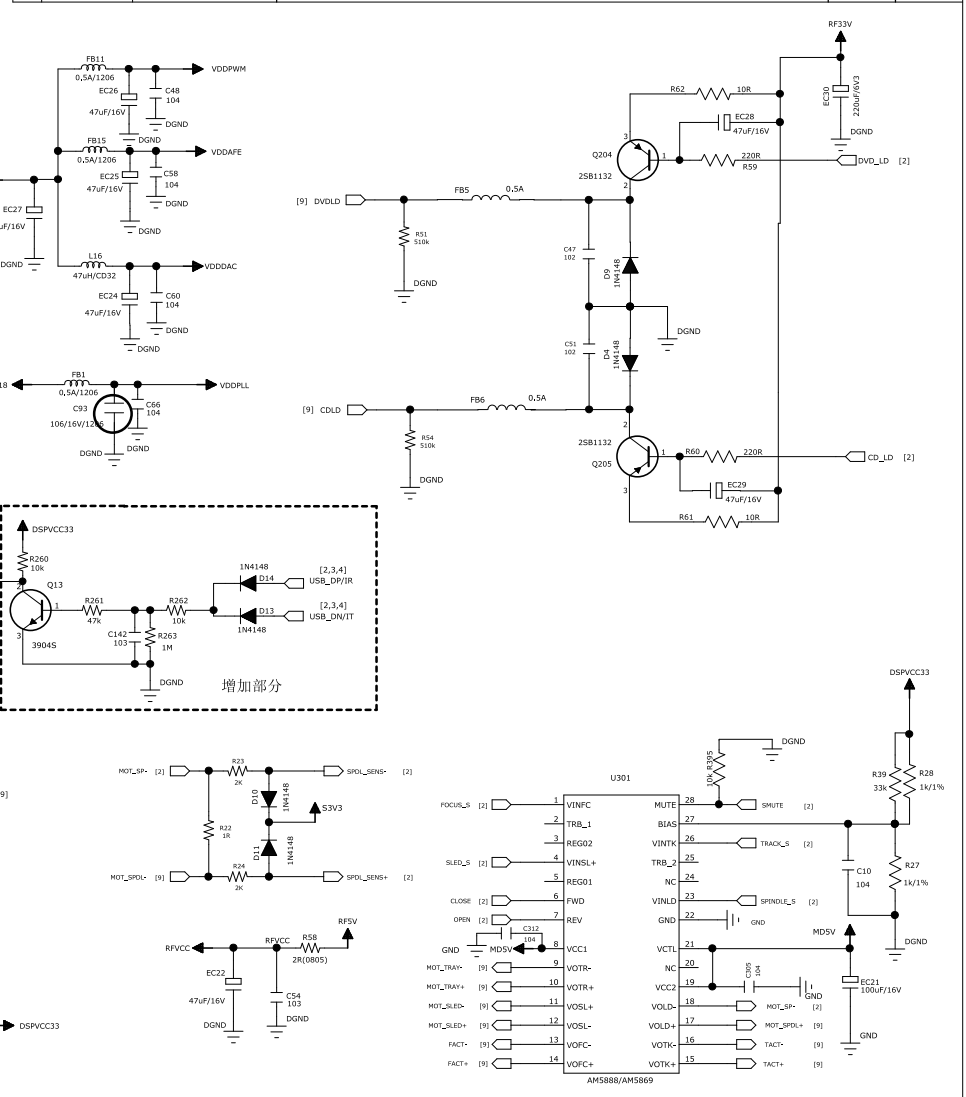


序号	新编号	旧编号	名称	数量	备注
23	121220000371018		镜片	1	DV-7710, LENS, PMA, BLK
22	121230201559014		出碟按钮	1	DV-7710, EJECT BUTTON, PC, MET+TI
21	121290201040014		卡门	1	DV-7710, DOOR, ABS, MET+TI
20	121290001041000		门挡块	1	DV-7710, DOOR BLOCK, ABS
19	121260000195010		右碟口导光片	1	DV-7710, COM LI-GUIDE, PC, GEN+WHI, RIGHT
18	121000000907		支架	1	DV-7510, LCD BKT, SECC, T=0.3mm, TINPLATE
17	123400000091	1-2530-5013-00-00	LCD显示板	6	DV-7510, LCD DISPLAY
16	123450000017		一体化背光源	1	DV-7510, BACK LIGHT
15	121240000292		背光源支架	1	DV-7510, LIGHT BKT, ABS (777D)
14	121450000325		遮光片	1	DV-7710, SEPARATE SHEET, EVA, 21*45, 4*2
13	121450020075		防尘布	1	DV-7510, DUSTPROOF CLOTH, CLOTH+PVC
12	121045000007		螺钉	6	SCREW, BR, BLACK ZINC, M2*6
11			键盘组件	1	DV-7710 KB
10	121105000001		塑胶螺钉	2	SCREW, SP, BLACK NI, L. 4*5, 0m, DV-7510
9	121260000194010		音量旋钮导光片	1	DV-7710, VOL LI-GUIDE, PC, GEN+WHI
8	121210200814014		前面板	1	DV-7710, FRONT PANEL, PC+ABS, MET+TI
7	121240000528000		电源按钮支架	1	DV-7710, SRC BUTTON BKT, PC
6	121230201558014		静音按钮	1	DV-7710, MUTE BUTTON, PC, MET+TI
5	121230701560013		电源按钮	1	DV-7710, SRC BUTTON, PMA, CRT+BLU, SILK
4	121230201563014		复位按钮	1	DV-7710, RESET BUTTON, PC, MET+TI
3	121270500121014		装饰环	1	DV-7710, RING, ABS, PLT+TI
2	121035000351		弹簧	1	DV-730, VOLUME-SPRING, T=0.4MM
1	121230501557014		音量按钮	1	DV-7710, VOL KNOB, ABS, PLT+TI

MATERIAL	FINISH	WEIGHT	UNIT	SCALE	MODEL NO.
			mm	1:1	DV-7710
DESCRIPTION(ENGLISH/CHINESE):					FRONT PANEL ASS'Y/前面板组件
PROJECTION					CODE NO:
A1	1/1				DV-7710JT-102



CHANGE	MARKS	REF NO	DESCRIPTION	SGN	APP
1					
2					
3					
4					
5					



MODEL NO	DV-7700			Foryou General Electronics Co., Ltd.	
DESCRIPTION	ZR36966/DRIVER				
CODE NO:				SHEET: 2 / 9	SCH REVISION:V07
				PCB REVISION:V07	
	DRAWN BY	CHECKED BY	TECHNICS BY	APPROVED BY	

6

5

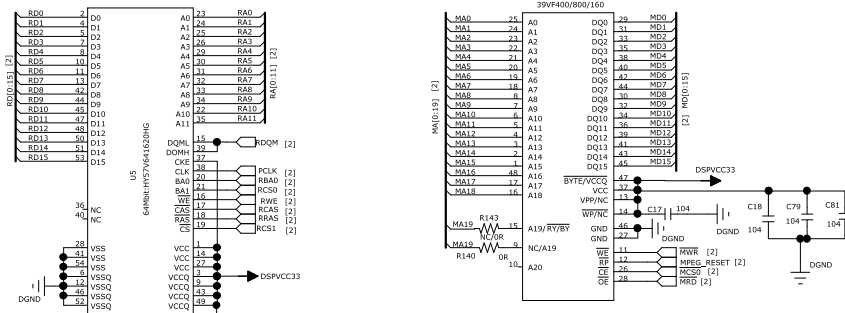
4

3

2

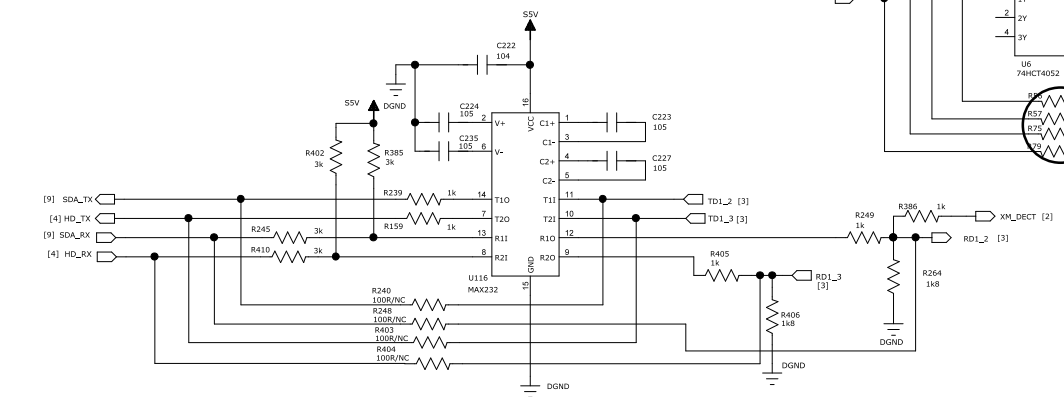
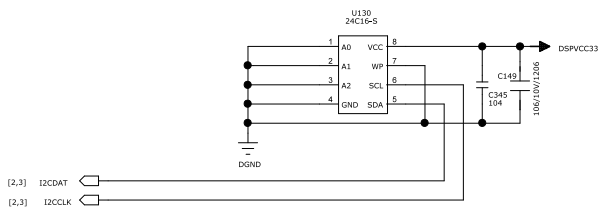
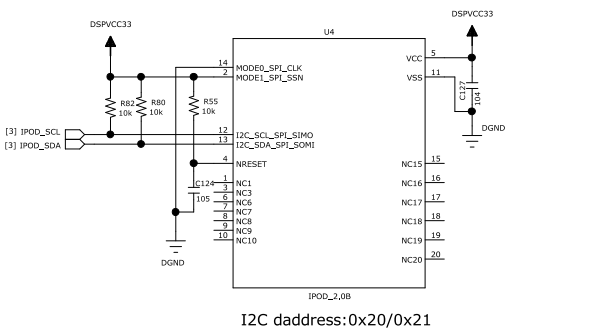
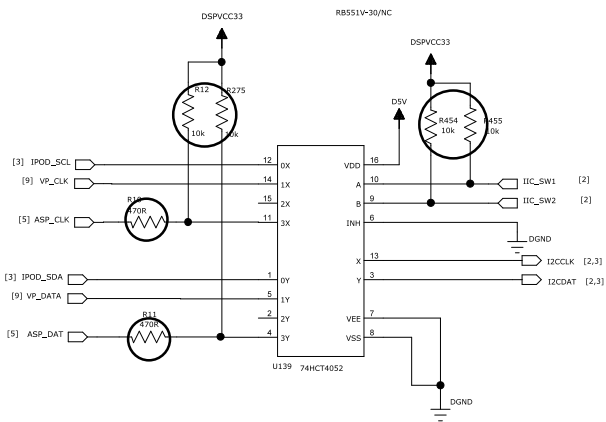
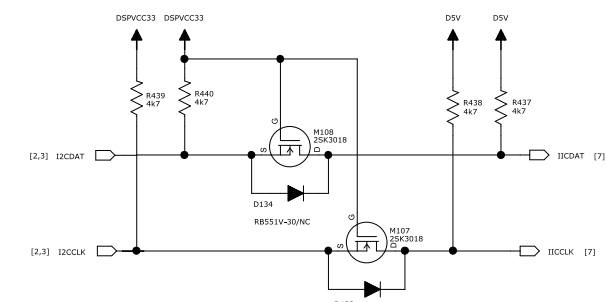
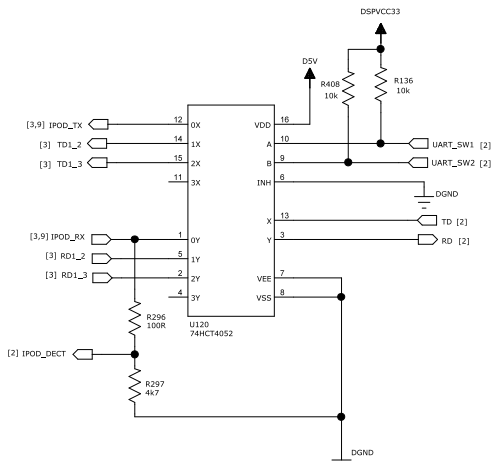
1

CHANGE	MARKS	REF NO	DESCRIPTION	SGN	APP
	1				
	2				
	3				
	4				
5					



when using Intel flash:  
A19 = PIN15(R47=0 OHM R6 NC)  
when using SST flash:  
A19 = PIN9(R6=0 OHM R47 NC)

Download mode: short R36



MODEL NO	DV-7700				FORYOU Foryou General Electronics Co., Ltd.			
DESCRIPTION	MEMORY		SHEET: 3 / 9	SCH REVISION:V07	PCB REVISION:V07			
	DRAWN BY	CHECKED BY	TECHNICS BY	APPROVED BY				
CODE NO:								

6

5

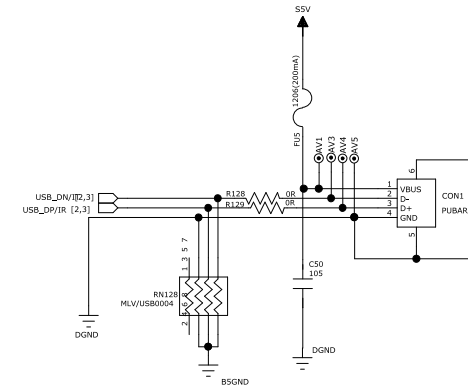
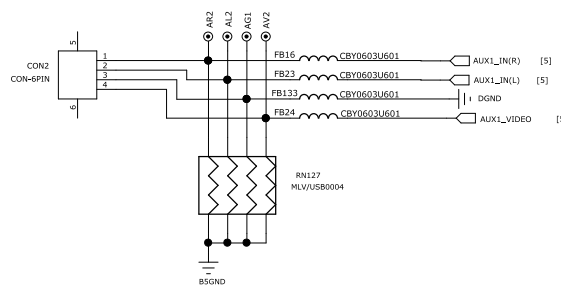
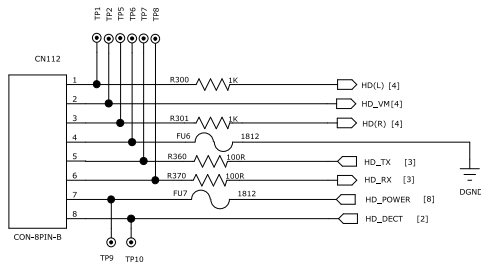
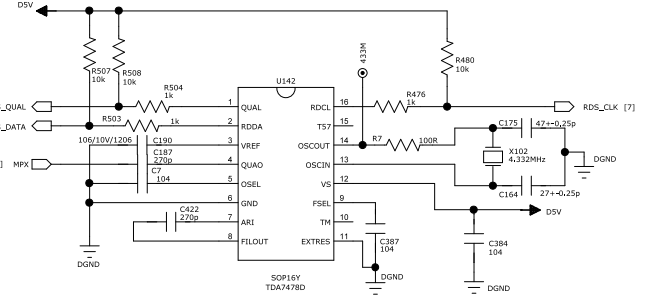
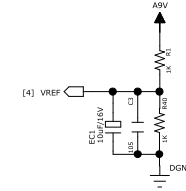
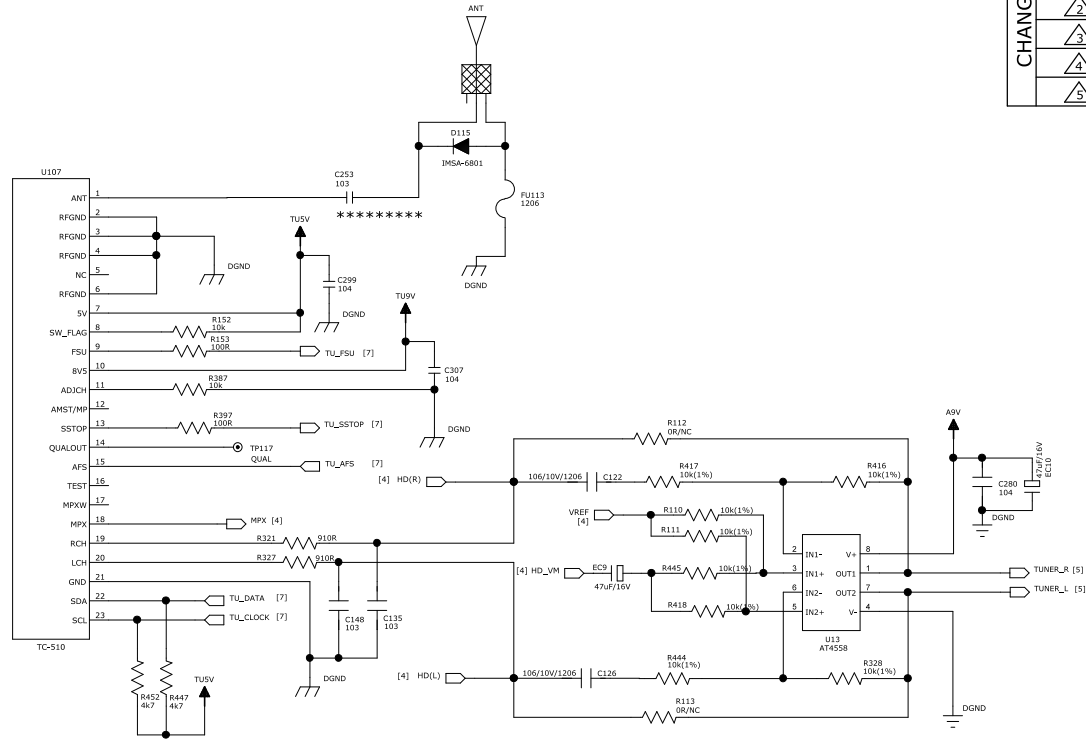
4

3

2

1

CHANGE	MARKS	REF NO	DESCRIPTION	SGN	APP
	①				
	②				
	③				
	④				
	⑤				



MODEL NO	DV-7700			FORYOU Foryou General Electronics Co., Ltd.	
DESCRIPTION	SHEET: 4 / 9		SCH REVISION:V07	PCB REVISION:V07	
	DRAWN BY	CHECKED BY	TECHNICS BY	APPROVED BY	
CODE NO:					



6

5

4

3

2

1

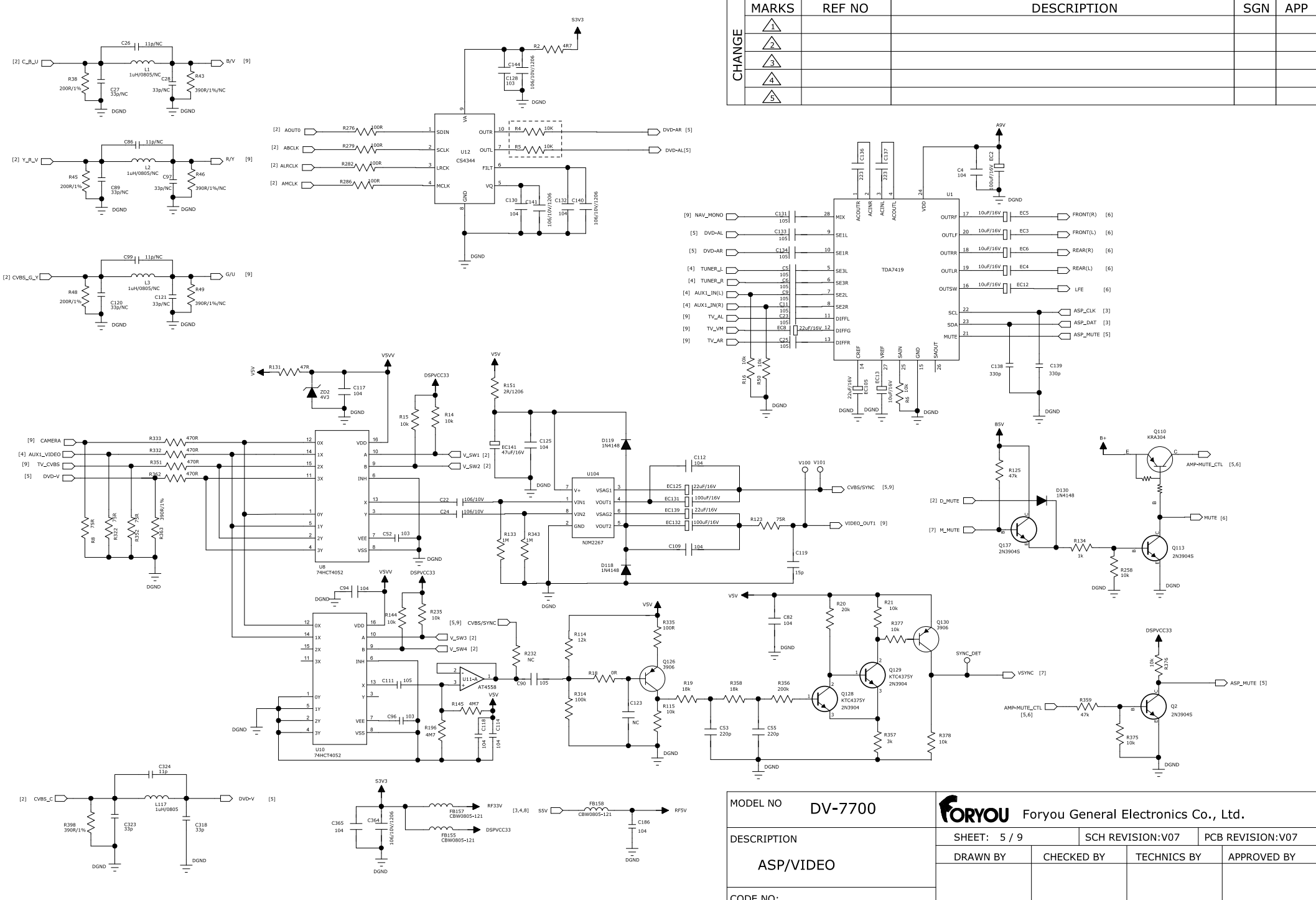
CHANGE	MARKS	REF NO	DESCRIPTION	SGN	APP
	1				
2					
3					
4					
5					


D

C

B

A



MODEL NO	DV-7700			 <b>Foryou General Electronics Co., Ltd.</b>	
DESCRIPTION	SHEET: 5 / 9		SCH REVISION:V07	PCB REVISION:V07	
CODE NO:	ASP/VIDEO	DRAWN BY	CHECKED BY	TECHNICS BY	APPROVED BY

6

5

4

3

2

1

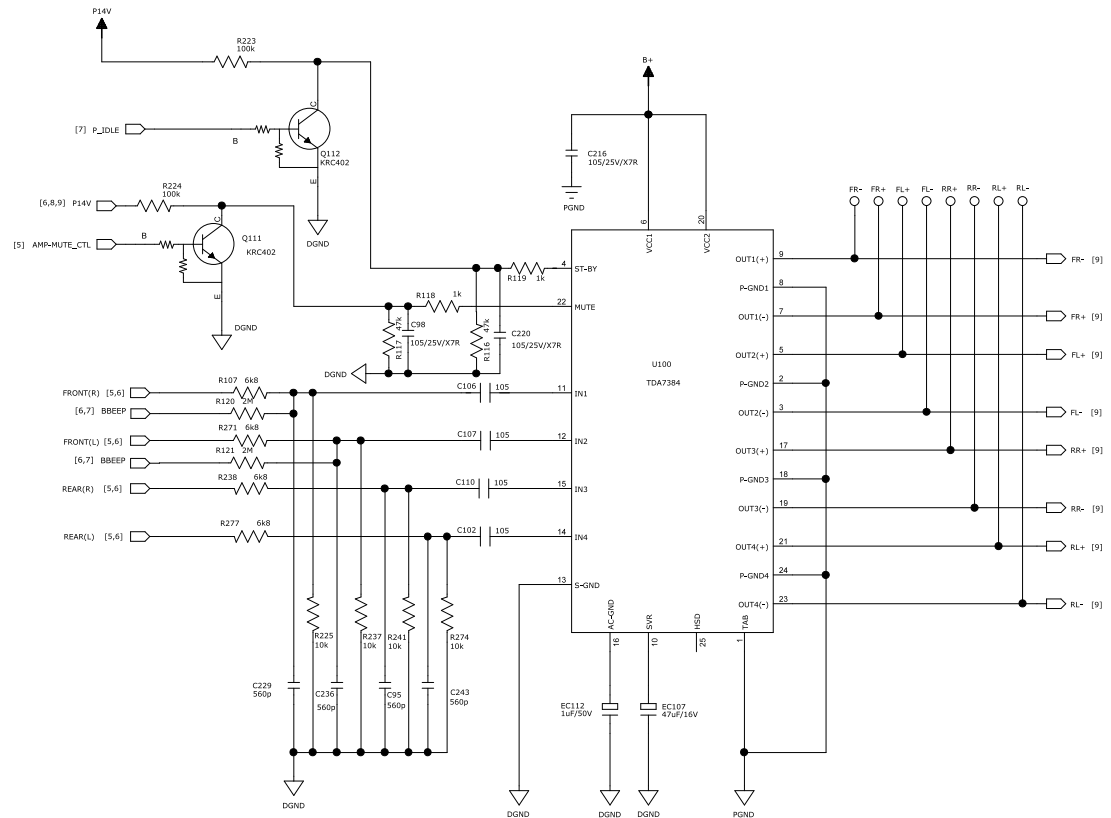
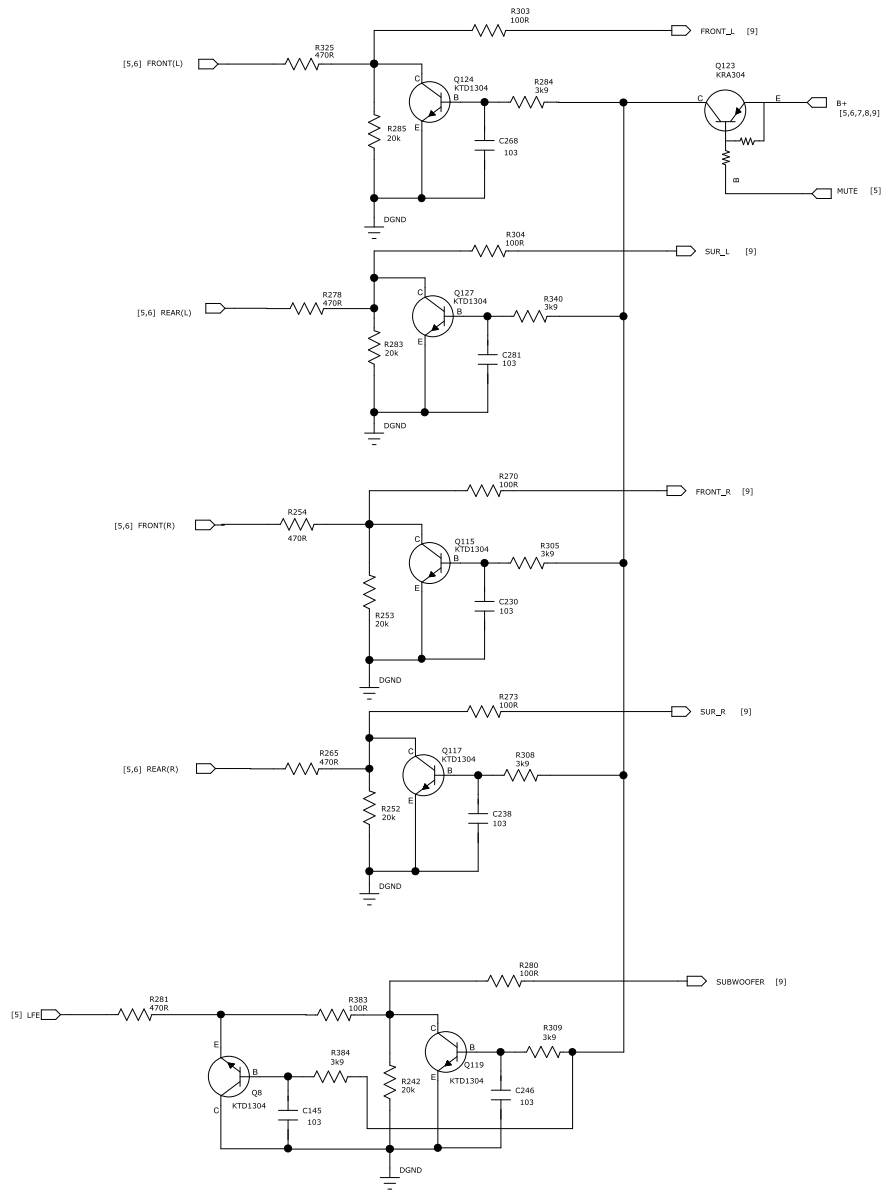
CHANGE	MARKS	REF NO	DESCRIPTION	SGN	APP
	1				
	2				
	3				
	4				
5					

D

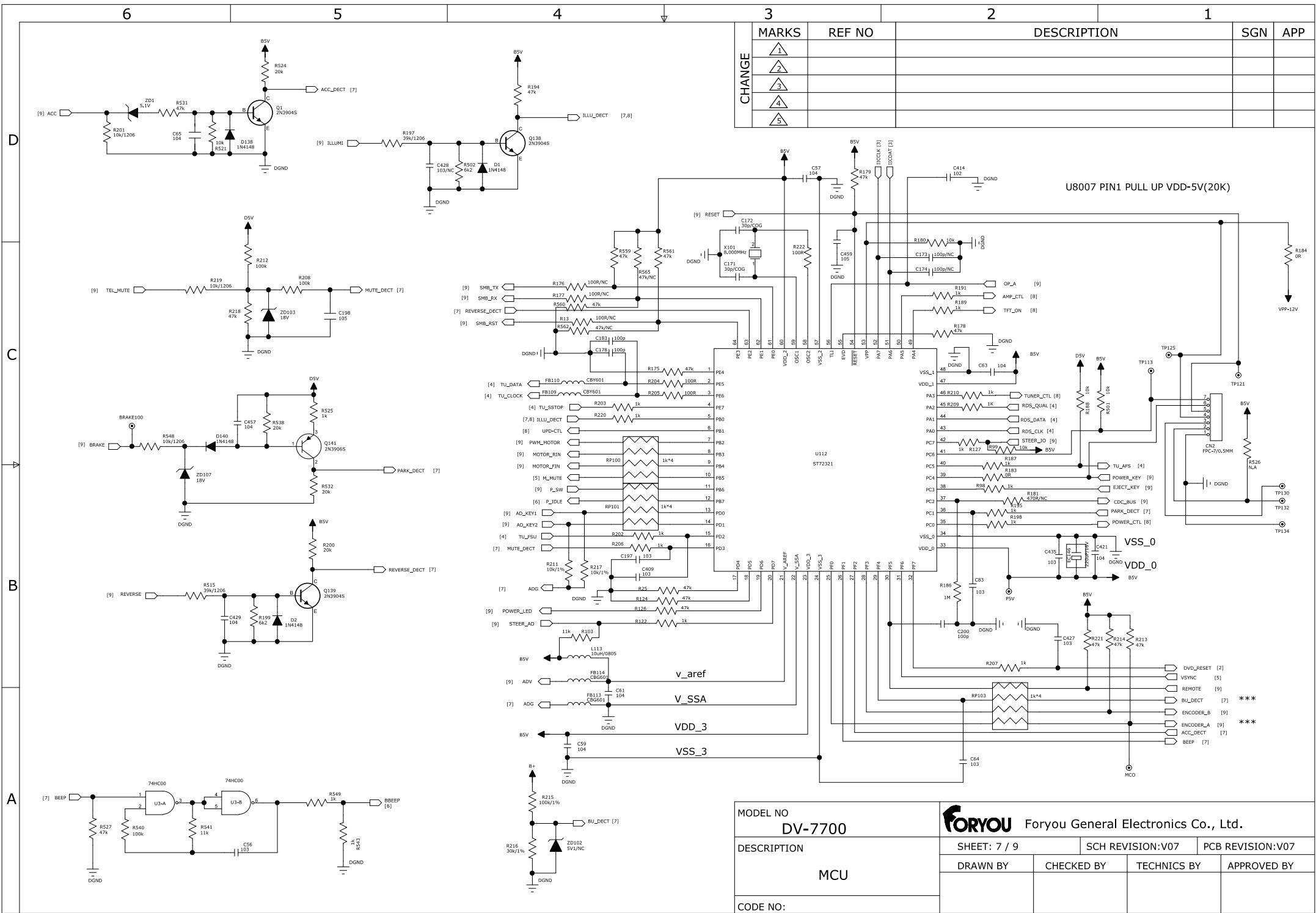
C

B

A



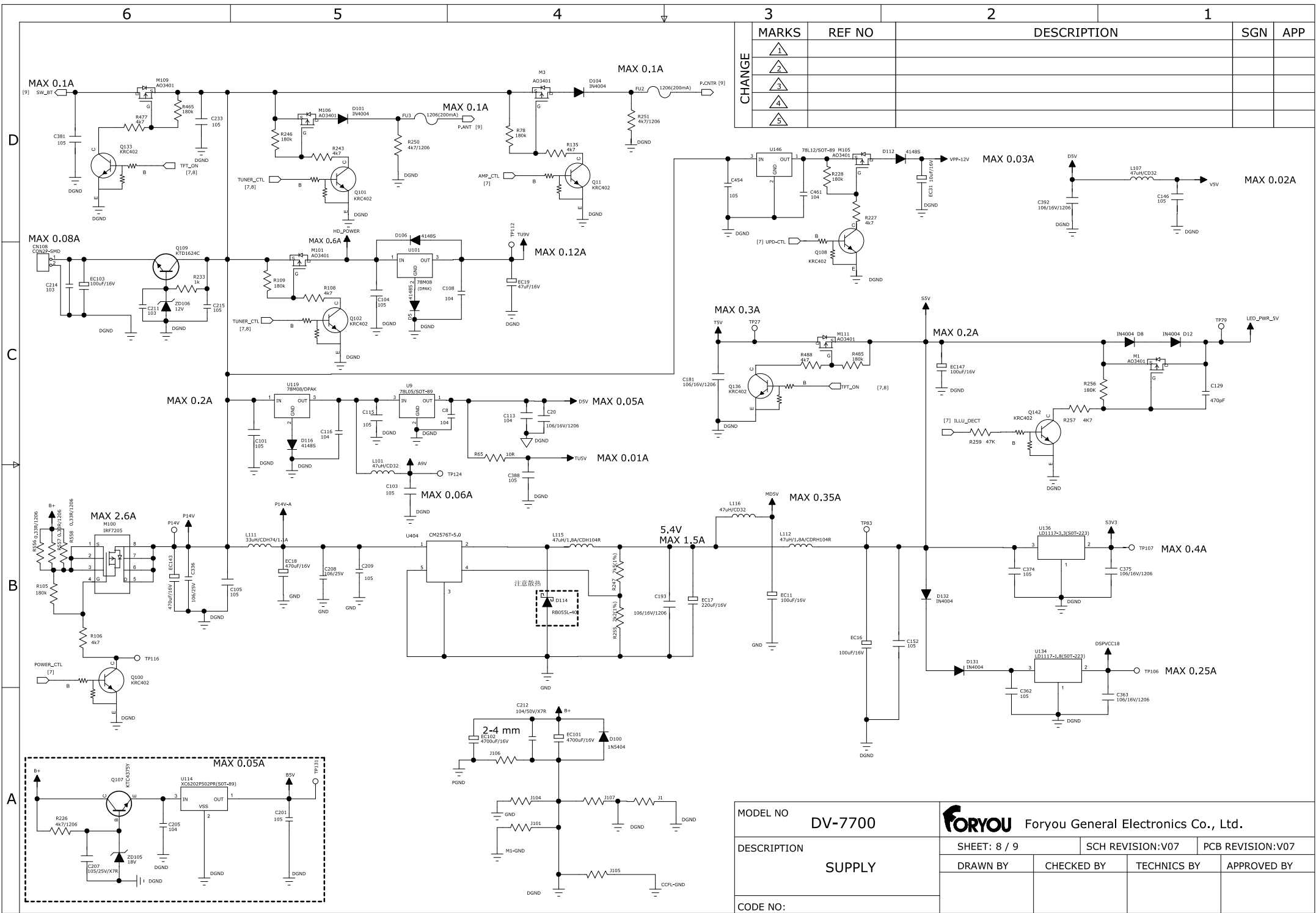
MODEL NO	DV-7700			<b>FORYOU</b> Foryou General Electronics Co., Ltd.	
DESCRIPTION	SHEET: 6 / 9		SCH REVISION:V07	PCB REVISION:V07	
LINEOUT/PWR-AMP	DRAWN BY	CHECKED BY	TECHNICS BY	APPROVED BY	
CODE NO:					



CHANGE	MARKS	REF NO	DESCRIPTION	SGN	APP
1					
2					
3					
4					
5					

U8007 PIN1 PULL UP VDD-5V(20K)

MODEL NO DV-7700			
DESCRIPTION MCU	SHEET: 7 / 9	SCH REVISION:V07	PCB REVISION:V07
CODE NO:	DRAWN BY	CHECKED BY	TECHNICS BY
			APPROVED BY



CHANGE	MARKS	REF NO	DESCRIPTION	SGN	APP
1					
2					
3					
4					
5					

MODEL NO	DV-7700			<b>FORYOU</b> Foryou General Electronics Co., Ltd.	
DESCRIPTION	SUPPLY		SHEET: 8 / 9	SCH REVISION:V07	PCB REVISION:V07
CODE NO:	DRAWN BY	CHECKED BY	TECHNICS BY	APPROVED BY	

MARKS	REF NO	DESCRIPTION	SGN	APP
1				
2				
3				
4				
5				

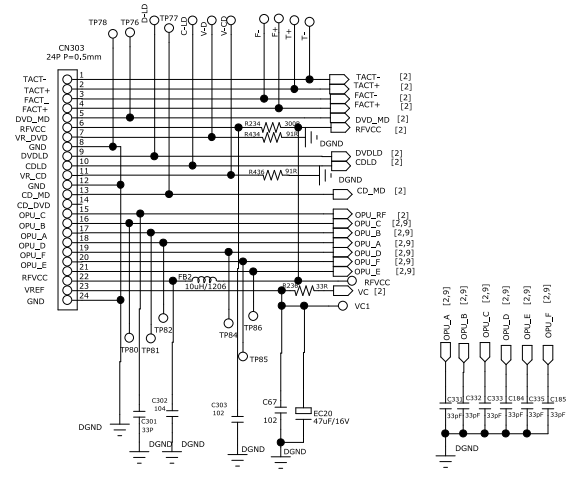
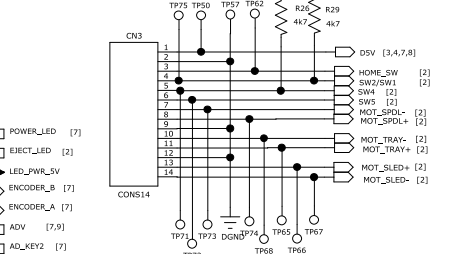
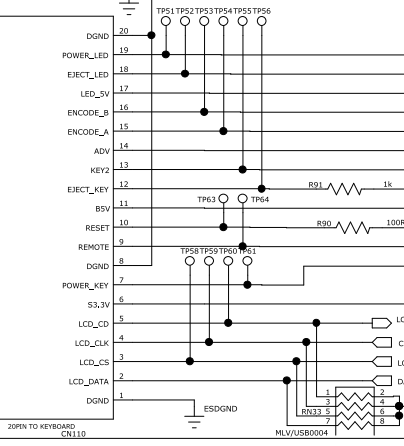
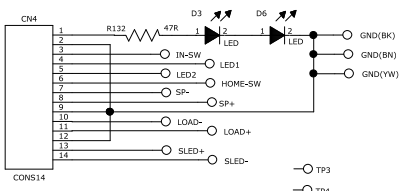
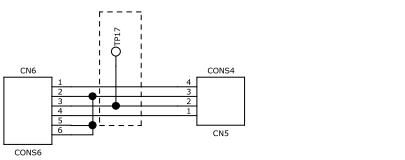
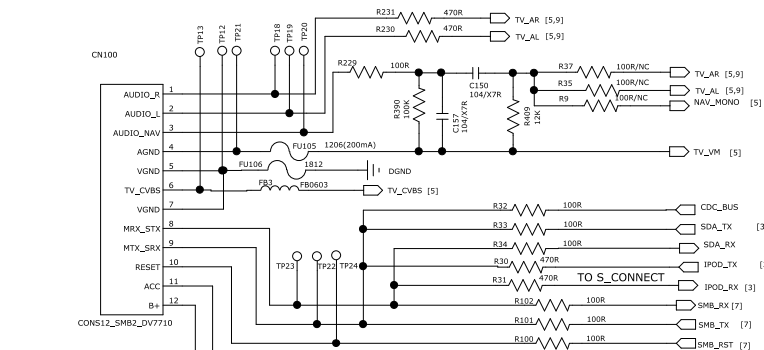
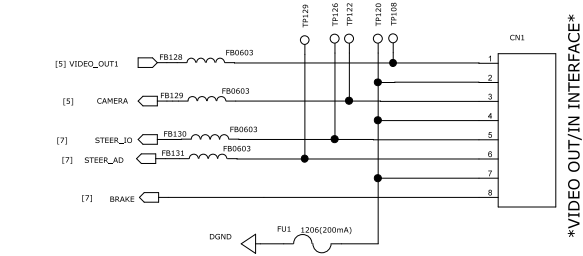
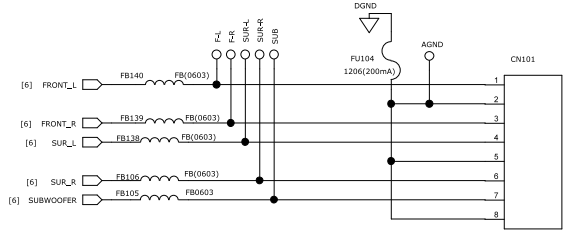
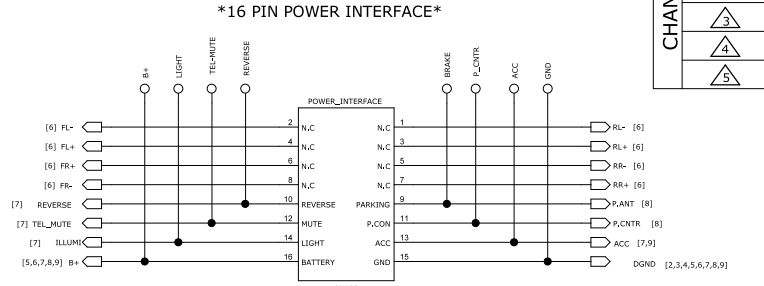
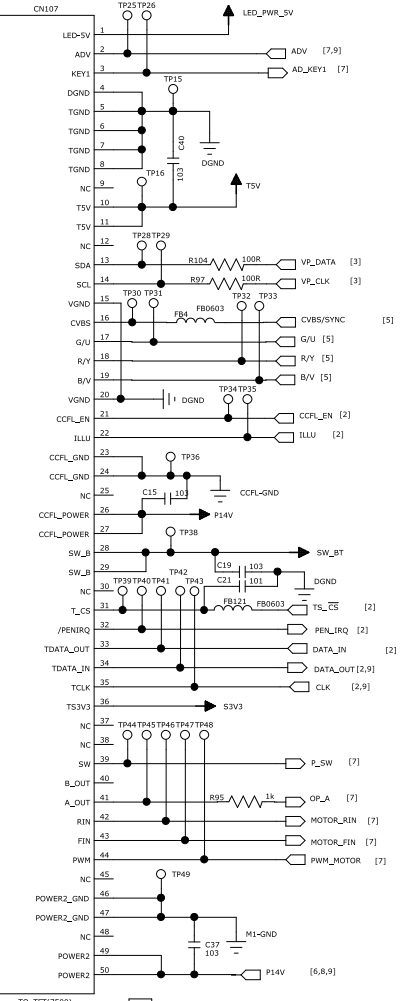
CHANGE

D

C

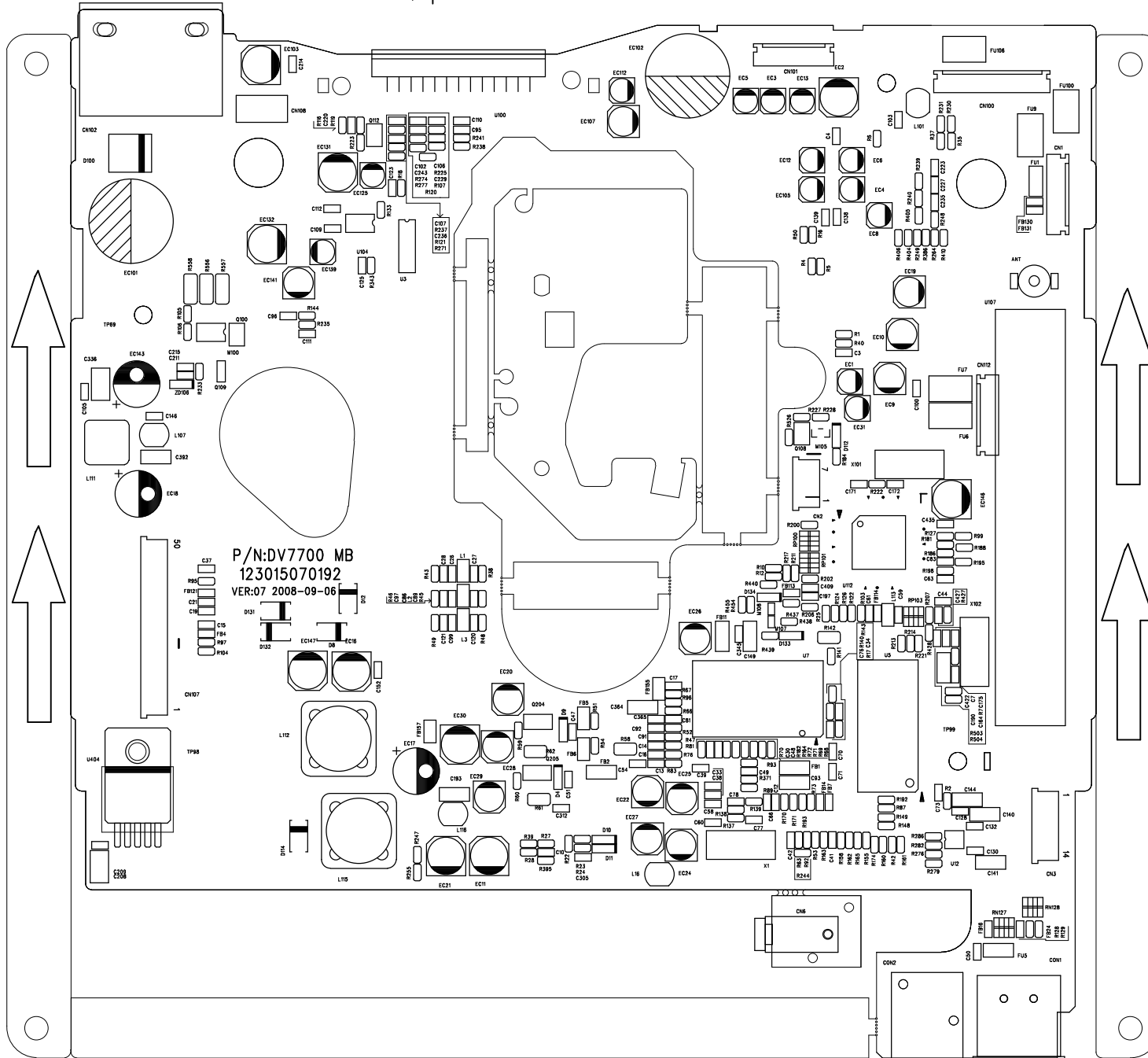
B

A



MODEL NO	DV-7700			FORYOU Foryou General Electronics Co., Ltd.	
DESCRIPTION	INTERFACE		SHEET: 9 / 9	SCH REVISION:V07	PCB REVISION:V07
CODE NO:	DRAWN BY	CHECKED BY	TECHNICS BY	APPROVED BY	

Top Silkscreen





## Bill of materials

Part NO.	Specification	QTY.	Location
121460000233	DV-7510,PVC SHEET,PVC,0.1MM	1	
141000000739	VM-700,RIGHT LINK,SECC,T0.8	1	
141000000754	VM-700,LEFT LINK,SECC,T0.8	1	
141000000734	VM-700,ROCK,SECC,T1.0	2	
121410000172	DV-7520,MAT2,EVA,TFT	1	
141290010580000	VM-700,RIGHT SLIDE BLOCK,POM	1	
141290010592000	VM-700,LEFT SLIDE BLOCK,POM	1	
121445010067	DV-710,DOUBLE TAPE 6,810HD	2	
121006000005	VM9311TS,GROUND SHEET	1	
121025010347	VM-700,ROCK SHAFT	2	
121025020351	VM-700,ROCK PIN	2	
121025020334	VM-700,LINK PIN	2	
121040010305	SCREW,CM,BLACK ZINC,M1.7*1.5	1	
141090000127	VM9311,SCN BOT COVER,SPCC,T0.8,ELP,BLK	1	
121000000704	VM-700,MOTOR BKT,SECC,T0.8	1	
121000000741	VM-700,R-PIN BKT,SECC,T1.2	1	
121000000756	VM-700,L-PIN BKT,SECC,T1.2	1	
121005010091	VM-700,WORM SPRING,SUS,T0.2	1	
121025000332	VM-700,COVER PIN	2	
121025000349	VM-700,GEAR SHAFT2	1	
121025010338	VM-700,ROLL SHAFT	2	
121025010345	VM-700,COLUMN 4	4	
121025020343	VM-700,GEAR SHAFT	6	
121025020354	VM-700,SLIDE BKT PIN	2	
121030010038	VM700,COLUMN 1,COPPER, $\phi 5*1+\phi 4*1.3+M2$	4	
121030020036	VM700,COLUMN 5,COPPER, $\phi 5.5*0.8+\phi 4.5*1.1$	2	
121035030241	VM-700,SPRING, $\phi 0.9$	1	
121035030264	VM-700,SPRING, $\phi 0.9$	1	
121100050090	SCREW,PM,BLUE ZINC,M2*4	1	
121100070095	SCREW,BM,BLUE ZINC,M2*2.3	11	
121045010065	SCREW,CM,BLACK ZINC,M2*2,H $\phi 3.5*0.4$	10	
121100050054	SCREW,PFM,BLUE ZINC,M2*2	2	
121100050137	SCREW,PWM,BLUE ZINC,M2*3.5	1	
121100000103	SCREW,CM,BLUE ZINC,M1.7*4,H $\phi 3.4*0.5$	2	
121045040062	SCREW,CM,BLACK ZINC,M2*2,H $\phi 3.5*0.4$	7	
121090000084	DV-710N,SLIP WASHER 1,SUS304,T0.4	2	
121090300086	DV-710N,SLIP WASHER 2,LEAD-NYLON,T0.3	4	
121445000069	DV-710,DOUBLE TAPE 4,810HD	2	
121445000144	DV-710,DOUBLE TAPE 6,810HD	1	
121445010071	DV710,DOUBLE TAPE 5,810HD	2	
121460000131	DV-710M,SHEET 10,MALAR,T0.1	1	
144825000003	MOTOR,FF-050SK-11170	1	
143825000468	WIRE,DV7510,2P,29mm,28#	2	
141000000737	VM-700,RIGHT TRACK,SECC,T0.6	1	
141000000752	VM-700,LEFT TRACK,SECC,T0.6	1	
141000000897	DV-7510,SWITCH BKT,SECC,0.8	1	
141006000006	DV-7510,SLIDE BKT,SPCC,T1.0	1	
143215000008	END-SENSE SW,SPPB120200	1	
141290000563000	VM-700,LIMIT BLOCK,POM	1	
141290000570000	VM-700,SLIDE BLOCK-S,POM	2	
141290030582000	VM-700,R-LINK SLIDE BLOCK,POM	1	
141290030594000	VM-700,L-LINK SLIDE BLOCK,POM	1	
141000001353	DV-7700,TOP COVER,SECC,T0.8	1	
842DV7523DR002	DV7523 DR SMT	1	
141827000107	SMD E-CAP,100uF, $\pm 20\%$ ,6.3*5.5,16V,105°C	1	EC4001;
141827020476	SMD E-CAP,47uF, $\pm 20\%$ ,5*5.3,16V	2	EC4000 EC4003;
142000000037	INDUCTOR,10uH,0805	1	L4001;
141604000000	RES,0 $\Omega$ , $\pm 5\%$ ,1/16W,0603	2	R4020 R4000;
141604000101	RES,100 $\Omega$ , $\pm 5\%$ ,1/16W,0603	1	R4010;
141604000102	RES,1k $\Omega$ , $\pm 5\%$ ,1/16W,0603	1	R4004;
141604000103	RES,10k $\Omega$ , $\pm 5\%$ ,1/16W,0603	1	R4003;
141604000153	RES,15k $\Omega$ , $\pm 5\%$ ,1/16W,0603	1	R4011;



141604000203	RES,20kΩ,±5%,1/16W,0603	1	R4021;
141604000221	RES,220Ω,±5%,1/16W,0603	1	R4009;
141604000272	RES,2k7Ω,±5%,1/16W,0603	1	R4008;
141604000273	RES,27kΩ,±5%,1/16W,0603	1	R4006;
141604000471	RES,470Ω,±5%,1/16W,0603	1	R4005;
141604000561	RES,560Ω,±5%,1/16W,0603	1	R4015;
141604000563	RES,56kΩ,±5%,1/16W,0603	1	R4007;
141604000753	RES,75kΩ,±5%,1/16W,0603	1	R4013;
141608000020	RES,2Ω,±5%,1/8W,1206	2	R4001 R4002;
141803000103	CAP,10nF,±10%,50V,X7R,0603	2	C4007 C4017;
141803000104	CAP,0.1uF,+80%-20%,16V,Y5V,0603	13	C4001 C4003 C4004;C4002 C4008 C4011;C4005 C4009 C4013;C4012;C4014 C4015 C4016;
141803000330	CAP,33pF,±5%,50V,NPO,0603	1	C4006;
141803010105	CAP,1uF,+80%-20%,16V,Y5V,0603	1	C4018;
141809010106	CAP,10uF,+80%-20%,16V,Y5V,1206	1	C4000;
142200000004	SW DIODE,1N4148,200mW,300mA,SOD-323	3	D4000 D4001 D4002;
122400000039	IC,78L05L,SOT-89,UTC	1	U4003;
142400000116	IC,BA6951FS,SSOP16,ROHM	1	U4004;
142400000198	IC,L7809CV,TO-220,ST	1	U4000;
143010020438	PCB,MD,DV7510,FR4,1.0,210*105,OSP,1P	1	
143445000002	OPTICAL ELECTRONIC COUNTER,GP1S25	1	U4001;
123815000020	FFC SOCKET,12P,0.5mm,DOWN CONTACT	1	CN4001;
141200000265000	VM-700,WORM,POM	1	
141200020266000	VM-700,ROLL,POM	2	
121090000279	DV-7700,COLUMN,SUM32,WHITE,φ4*13.2	2	
121455000021	VM9311,TFT FILM,PET,T0.1	1	
141220000370048	DV-7710AVX,TFT LENS,PMMA,BLK	1	
121455010027	DV-7710,PROTECTIVE FILM,PE	1	
121445000168	DV-7710,DOUBLE TAPE 2,810HD	1	
141000000559	DV-710M,ASSEMBLY BAR,SECC,T0.8	1	
141000000699	VM-700,FIX BKT,SECC,T0.8,LONG	2	
141000000712	VM-700,FIX BKT,SECC,T0.8,SHORT	2	
141000010696	VM-700,HOUSING SECC,T0.8	1	
121045000104	SCREW,BM,BLACK ZINC,M4*3	4	
121100040089	SCREW,HM,BLUE ZINC,M5*6+3+M5*15	1	
121045000112	SCREW,BA,BLACK ZINC,M5*16	1	
121045020260	SCREW,BM,BLACK ZINC,M5*5.5	4	
121050000008	DV710,BUFFER,RUBBER	1	
141270300116058	DV-710P,RIM,PC,GEN+BLK	1	
121445000145	SV-6270,TAPE,Φ40	2	
121445000146	SV-6270,TAPE1,Φ30	1	
121450000041	DV-620,CLEAR CLOTH,CLOTH	1	
121460000235	DV-7510,BIND TIE,PVC,T0.2	3	
143830000264	WIRE,DV710,1P,PACKING CABLE	1	
127070004499	DV-7710AVX,REM LABEL	1	
127060000020	CMV100,POLY BAG RIM,PE	1	
124810000003	BATTERY,CMV100,CR2025,3.0V	1	
127005000046	DV-001,WHITE BOX,W9B,246*84*100	1	
127015010033	DV-7510,L-PULP FORM,PULP,250*115*100	1	
127015010034	DV-7510,R-PULP FORM,PULP,250*115*100	1	
127020001503	DV-7710AVX,GIFT BOX,340*255*107	1	
127045000044	DV-710,PACKING SPONG 1,370*235*10	1	
127045000050	DV-001,EPE FORM,352*255*10	1	
127045000051	DV-710,PACKING SPONG 3,215*255*10	1	
127045000076	DV-710,EPE BAG,486*240*0.5	1	
127045000078	DV-710,EPE BAG,200*220*0.5	2	
127055000014	DV-7510,SAFE COVER,PVC,T0.3,176*50*40	1	
127060000008	DV-710,MANUAL POLY BAG,PE,220*300*0.15	1	
127060000032	DV-001,POLY BAG,PE,170*52*0.1	1	
127060000085	DV-001,POLY BAG,PE,85*65*0.08	2	
127060000086	DV-710,REMT PACKING BAG,PE,190*60*0.1	1	
127060000088	DV-710,SCREW POLY BAG,PE,70*100*0.1	1	
127060000091	DV-005,POLY BAG,PE,250*100*0.05,TRANS.	1	
127060000094	DV-710,UNIT PAKING BAG,PE,245*400*0.08	1	
127060000096	DV-710,WIRE PAKING BAG,PE,250*100*0.1	2	

127060000177	DV6211,POLY BAG-BATTERY,50*40*0.1,PE	1	
127065000014	DV-710J,TFT WARNING LABEL	1	
127070000137	DV-001A,BAR CODE LABEL,51*19	2	
127070000140	DV-001A,BAR CODE LABEL,PDF417,102*153	1	
147070001183	DV-200,THEFT MAGNETISM LABEL	1	
147070001313	DV-200,WARNING LABEL,42*38	1	
127070001476	DV-001,DATE LABEL,44*7	1	
127070001485	DV-620J,LABEL,QA	1	
127070001530	DV-108,REGION NUMBER1 LABEL,14*14	2	
127070001724	DV-710J,WARNING LABEL 1	1	
127070001725	DV-710J,WARNING LABEL 2	2	
127070011337	DV-200,LASER LABEL,50*25	1	
127070001897	ALL MODEL,GREEN LABEL	1	
127070004489	DV-7710AVX,WIRE CARD,ENGLISH	1	
141210200804084	DV-7710AVX,FR TFT PANEL,ABS+PC,MET+TI	1	
121460010110	DV-710,MAT11,EVA,T2.0	2	
121460010119	DV-710,MAT6,EVA,T1.0,FPC	2	
121490000052	DV-710N,MAT,EVA	2	
121490000085	DV-710,PVC SHEET 2,PVC	1	
121410000059	DV-710JSD,PORON MAT1,PORON,T0.30,TOP	1	
121410000060	DV-710JSD,PORON MAT2,PORON,T0.30,BOT	1	
141220000371028	DV-7710AVX,LENS,PMMA,BLK	1	
121045040062	SCREW,CM,BLACK ZINC,M2*2,H $\phi$ 3.5*0.4	9	
121410000061	DV-710JSD,PORON MAT4,PORON,T0.30,RIGHT	1	
121445010067	DV-710,DOUBLE TAPE 6,810HD	1	
121410000062	DV-710JSD,PORON MAT3,PORON,T0.30,LEFT	1	
141230201561024	DV-7710AVX,F/R/D BUTTON,PC,MET+TI	1	
141230201562024	DV-7710AVX,B/A/O BUTTON,PC,MET+TI	1	
121490000220	DV-7510,HEAT SILICA GEL,SILICA,20*20*2	1	
121490000197	DV-7520,HEAT SILICA GEL1,SILICA	2	
121490000198	DV-7520,HEAT SILICA GEL2,SILICA	1	
141210200815024	DV-7710AVX,RE TFT PANEL,PC+ABS,MET+TI	1	
121105000001	SCREW,PA,BLACK ZINC,M1.4*5	5	
141005000083	VM-700,SCLIP,SUS,T0.3	1	
121045010079	SCREW,CM,BLACK ZINC,M2*4	4	
121100070057	SCREW,BM,BLUE ZINC,M2*7	1	
121090000084	DV-710N,SLIP WASHER 1,SUS304,T0.4	2	
141290010572000	VM-700,SLIDE BLOCK-C,POM	1	
121000020743	VM-700,R-SHAFT BKT,SECC,T1.2	1	
121000020758	VM-700,L-SHAFT BKT,SECC,T1.2	1	
121005000109	DV-7510,REAR BKT,SUS301,T0.4	1	
121005000110	DV-7510,FRONT BKT,SUS301,T0.4	1	
141005010087	VM-700,SPEED SHEET,SUS,T0.3	1	
121035000351	DV-7300,SPRING 5, $\phi$ 0.4	1	
121045000007	SCREW,BB,BLACK ZINC,M2*6	6	
121100050136	SCREW,PWM,BLUE ZINC,M2*4	2	
121100070055	SCREW,BM,BLUE ZINC,M2*3	2	
121100050082	SCREW,PM,BLUE ZINC,M2*2.5	2	
121100000096	SCREW,CM,BLUE ZINC,M1.7*2.6	2	
121045010065	SCREW,CM,BLACK ZINC,M2*2,H $\phi$ 3.5*0.4	10	
121100050054	SCREW,PFM,BLUE ZINC,M2*2	1	
121100050137	SCREW,PWM,BLUE ZINC,M2*3.5	3	
121090300086	DV-710N,SLIP WASHER 2,LEAD-NYLON,T0.3	2	
121415000060	DV-7520,INSULATED SHEET2,PET	1	
121445000107	DV-7510,MAT,VINEGAR CLOTH,FFC	1	
121445010071	DV710,DOUBLE TAPE 5,810HD	1	
141000010701	VM-700,GEAR COVER,SPCC,T0.6	1	
141000010720	VM-700,CLIP,SPCC,T0.6	1	
141000010729	VM-700,BKT 2,SECC,T0.6	1	
141005000088	VM-700,SPRING SHEET,SUS,T0.5	1	
141005010078	VM-700,SLIDE BKT SPRING,SUS,T0.2	1	
141025010339	VM-700,DRIVER SHAFT	1	
141200000245000	VM-700,GEAR 7,POM	2	
141200000252000	VM-700,GEAR 1,POM	1	
141200000262000	VM-700,GEAR 3,POM	1	
141200010241000	VM-700,BEVEL WHEEL-B,PA	1	

141200010243000	VM-700,BEVEL WHEEL-A,PA	1	
141200010257000	VM-700,GEAR 4,PA	1	
141200010264000	VM-700,GEAR 2,POM	1	
141200020248000	VM-700,LEFT RACK,POM	1	
141200020250000	VM-700,RIGHT RACK,POM	1	
141200020253000	VM-700,GEAR 5,PA	1	
141200030259000	VM-700,GEAR 6,POM	1	
141290020578000	VM-700,R-TRACK BLOCK,POM	1	
141290020588000	VM-700,L-TRACK BLOCK,POM	1	
143820000270	FFC,14P,0.5mm,44mm,TYPE A	1	
144890000027	TOUCH SCREEN,7",164.8*99.8MM,ITO-0883	1	
143820020207	FFC,20P,0.5mm,45mm	1	
143820000190	FFC,6P,0.5mm,35mm	1	
121100070050	SCREW,BM,BLUE ZINK,M2.6*5.0+φ4.2*1.6	7	
121100070049	SCREW,BM,BLUE ZINK,M2.6*7.5+φ4.2*1.6	3	
143020000037	FPC,DV7510,1,0.1,MB-LOADER,50P,0.5mm,E	1	
143420000003	TFT/A,A070FW03-V4,7"	1	
141000001352	DV-7700,MIDDLE BKT,SECC,T0.8	1	
121460000125	DV-710,PVC SHEET 1,PVC,T0.2	1	
121035000458	DV-7700,SPRING,SWP,φ0.4	4	
121100000108	SCREW,CM,BLUE ZINC,M3*3.5,Hφ5.5*0.8,TL	4	
121100000102	SCREW,CM,BLUE ZINC,M3*2.5,Hφ5.1*0.4	10	
121100050138	SCREW,PWM,BLUE ZINC,M2.0*4.0	4	
141210200814024	DV-7710AVX,FRONT PANEL,PC+ABS,MET+TI	1	
121450020075	DV-7510,DUSTPROOF CLOTH,CLOTH+PVC	1	
121490000325	DV-7710,SEPARATE SHEET,EVA,21*5.4*2	1	
141230201558014	DV-7710,MUTE BUTTON,PC,MET+TI	1	
141230201559014	DV-7710,EJECT BUTTON,PC,MET+TI	1	
141230201563014	DV-7710,RESET BUTTON,PC,MET+TI	1	
121410000176	DV-7520,MAT1,EVA,PANEL	1	
141230501557014	DV-7710,VOL KNOB,ABS,PLT+TI	1	
141230701560023	DV-7710AVX,SRC BUTTON,PMMA,CRT+BLU,SILK	1	
121240000528000	DV-7710,SRC BUTTON BKT,PC	1	
141260000194010	DV-7710,VOL LI-GUIDE,PC,GEN+WHT	1	
141260000195010	DV-7710,CDM LI-GUIDE,PC,GEN+WHT,RIGHT	1	
141270500121014	DV-7710,RING,ABS,PLT+TI	1	
1212900001041000	DV-7710,DOOR BLOCK,ABS	1	
141290201040014	DV-7710,DOOR,ABS,MET+TI	1	
121100000096	SCREW,CM,BLUE ZINC,M1.7*2.6	2	
121100070098	SCREW,BM,BLUE ZINC,M2.6*3.5	3	
141005000117	DV-7300,COVER 3,SUS301,T0.3,1/2H	1	
1212900001030000	DV-7700,LID,PC	1	
1212900001103	DV-7700,BIND TIE,PA,WHITE,200mm	1	
121490000333	DV7700,SILICA GEL,9.5*8.5*1	2	
121490000334	DV7700,SILICA GEL,22*6*2	1	
143820000269	FFC,24P,0.5mm,115mm,TYPE A	1	
845VM9311RM000	UV8,FRONT REMOTE,RUBBER	1	
121090000221	DV-712,SPRING SHEET1,C1519	1	
121090000222	DV-712,SPRING SHEET2,C1519	1	
141210000645000	DV712,REMOTE BATTERY COVER,ABS	1	
141210000648000	DV712,REMOTE BOTTOM COVER,ABS	1	
141210310712018	DV7511 UV8,FRONT REM T-PANEL,ABS,GEN+BLK	1	
121465000274	DV7511UV8,REAR REMOTE PET,PET	1	
121490000310	UV8,FRANT REMOTE ELECTRIC SILICA,GEL	1	
141830030476	E,CAP,47uF,±20%,4*5,10V,85°C	1	C1;
122890000001	TCXO,455K,±KHz,-20+80°C,DIP,OSC	1	Y1;
143010000635	PCB,REM,DV712,FR4,1.2,114*44,OSP,1P	1	
141606000022	RES,2R2Ω,±5%,1/10W,0805	1	R1;
141806010101	CAP,100pF,±5%,50V,NPO,0805	2	C2 C3;
142245000028	TR,S8050(NPN),SOT-23	1	Q1;
142400000335	IC,SC6122,SOP24,SL,INFRARED	1	U1;
143405000006	INFRARED TRANSMITTER,IR204-A	1	IR LED;
842DV7550SKB000	DV7550 SKB SMT	1	
143010000755	PCB,KB,DV7550,FR4,0.8,150*135,OSP,10P	1	
141803000103	CAP,10nF,±10%,50V,X7R,0603	1	C3002;
141803000102	CAP,1nF,±10%,16V,X7R,0603	1	C3003;

141803010105	CAP,1uF,+80%-20%,16V,Y5V,0603	1	C3001;
143815000138	FFC SOCKET,6P,0.5mm,DOWN CONTACT	1	CN3001;
143405000084	LED,BLUE,19-217/BHC-XL2M2TY/3T,0603,5mA	6	LED3001 LED3002;LED3003 LED3004;LED3005 LED3006;
141604000000	RES,0Ω,±5%,1/16W,0603	4	R3003 R3010 R3016;R3018;
141604010102	RES,1kΩ,±1%,1/16W,0603	2	R3013 R3014;
141604010152	RES,1k5Ω,±1%,1/16W,0603	1	R3005;
141604010222	RES,2k2Ω,±1%,1/16W,0603	1	R3009;
141604010332	RES,3k3Ω,±1%,1/16W,0603	2	R3002 R3004;
141604010472	RES,4k7Ω,±1%,1/16W,0603	1	R3008;
141604010473	RES,47kΩ,±1%,1/16W,0603	1	R3017;
141604010103	RES,10kΩ,±1%,1/16W,0603	1	R3011;
141604010153	RES,15kΩ,±1%,1/16W,0603	1	R3015;
123210000040	TACT SW,2.5mm,TS37-251SM180,250gf,SMD	6	K3001 K3002 K3003;K3004 K3005 K3006;
142224000018	ZENER DIODE,5.1V,300mW,SOD-323	1	ZD3001;
141604000681	RES,680Ω,±5%,1/16W,0603	4	R3001 R3006 R3007;R3012;
121415000054	DV-7520,INSULATED SHEET,PVC,TFT	1	
121445010067	DV-710,DOUBLE TAPE 6,810HD	2	
842DV7523TF006	DV7523 TFT SMT	1	
141827000107	SMD E-CAP,100uF,±20%,6.3*5.5,16V,105°C	1	EC2000;
141845190107	TAN.CAP,100uF,16V,±20%,D,AVX	2	TC2000 TC2001;
142000000015	INDUCTOR,1.8uH,0805	3	L2004 L2005 L2006;
142000000036	INDUCTOR,10uH,0805	6	L2001 L2003 L2007;L2008 L2009 L2012;
142000000170	POWER INDUCTOR,10uH,CD31	3	L2013 L2014 L2016;
142040000030	CHIP BEAD,0603,600R,CBY0603U601MT	6	FB2000 FB2001 FB2002;FB2003 FB2004 FB2005;
142640000022	T-3386(U19.8)	1	BT2000;
123805000214	SOCKET,2P,SM02B-BHSS-1-TB,PWR	1	CN2004;
141090010122	VM-700,GROUND SPRING	2	
141604000000	RES,0Ω,±5%,1/16W,0603	2	R2020 R2063;
141604000101	RES,100Ω,±5%,1/16W,0603	19	R2001 R2019 R2024;R2031 R2032 R2035;R2038 R2039 R2050;R2054 R2058 R2066;R2069 R2073 R2074;R2076 R2084 R2111;R2150;
141604000102	RES,1kΩ,±5%,1/16W,0603	5	R2005 R2071 R2077;R2078 R2079;
141604000103	RES,10kΩ,±5%,1/16W,0603	14	R2011 R2026 R2036;R2034 R2043 R2049;R2053 R2057;R2068 R2070 R2072;R2085 R2086 R2093;
141604000104	RES,100kΩ,±5%,1/16W,0603	5	R2021 R2048 R2095;R2098 R2037;
141604000105	RES,1MΩ,±5%,1/16W,0603	1	R2006;
141604000113	RES,11kΩ,±5%,1/16W,0603	1	R2042;
141604000151	RES,150Ω,±5%,1/16W,0603	6	R2002 R2003 R2004;R2151 R2152 R2153;
141604000181	RES,180Ω,±5%,1/16W,0603	3	R2047 R2055 R2051;
141604000182	RES,1k8Ω,±5%,1/16W,0603	3	R2028 R2029 R2046;
141604000200	RES,20Ω,±5%,1/16W,0603	1	R2087;
141604000201	RES,200Ω,±5%,1/16W,0603	2	R2064 R2065;
141604000202	RES,2kΩ,±5%,1/16W,0603	4	C2129;R2089 R2092 R2099;
141604000203	RES,20kΩ,±5%,1/16W,0603	6	R2023 R2041 R2044;R2045 R2097 R2025;
141604000303	RES,30kΩ,±5%,1/16W,0603	1	R2027;
141604000304	RES,300kΩ,±5%,1/16W,0603	1	R2094;
141604000330	RES,33Ω,±5%,1/16W,0603	1	R2008;
141604000332	RES,3k3Ω,±5%,1/16W,0603	2	R2067 R2088;
141604000392	RES,3k9Ω,±5%,1/16W,0603	3	R2062 R2033 R1;
141604000470	RES,47Ω,±5%,1/16W,0603	1	R2030;
141604000471	RES,470Ω,±5%,1/16W,0603	6	R2007 R2014 R2016;R2018 R2075 R2080;
141604000472	RES,4k7Ω,±5%,1/16W,0603	3	R2000 R2090 R2100;
141604000562	RES,5k6Ω,±5%,1/16W,0603	3	R2013 R2015 R2017;
141604000752	RES,7k5Ω,±5%,1/16W,0603	1	R2022;
141604010181	RES,180Ω,±1%,1/16W,0603	1	R2091;
141604010183	RES,18kΩ,±1%,1/16W,0603	1	R2040;
141606000010	RES,1Ω,±5%,1/10W,0805	4	L2000 L2010 L2011;L2015;

141606000102	RES,1kΩ,±5%,1/10W,0805	1	R2101;
141618000101	NET RES,100Ω*4,±5%,1/16W,0603	1	RP2000;
141803000101	CAP,100pF,±10%,50V,NPO,0603	1	C1;
141803000102	CAP,1nF,±10%,16V,X7R,0603	2	C2000 C2033;
141803000103	CAP,10nF,±10%,50V,X7R,0603	8	C2020 C2024 C2107;C2086 C2089;C2110 C2122 C2083;
141803000151	CAP,150pF,±10%,16V,X7R,0603	6	C2002 C2003 C2004;C2011 C2012 C2010;
141803000152	CAP,1.5nF,±10%,50V,X7R,0603	1	C2112;
141803000202	CAP,2nF,±10%,16V,X7R,0603	2	C2001 C2037;
141803000220	CAP,22pF,±5%,50V,NPO,0603	2	C2013 C2014;
141803000221	CAP,220pF,±10%,50V,NPO,0603	3	C2126 C2127 C2128;
141803000222	CAP,2.2nF,±10%,50V,X7R,0603	1	C2038;
141803000392	CAP,3.9nF,±10%,16V,X7R,0603	1	C2073;
141803000472	CAP,4.7nF,±10%,50V,X7R,0603	1	C2108;
141803010104	CAP,0.1uF,±10%,25V,X7R,0603	42	C2006 C2009 C2016;C2017 C2018 C2021;C2022 C2025 C2027;C2042 C2043 C2044;C2047 C2049 C2050;C2055 C2057 C2064;C2065 C2069 C2070;C2078 C2080 C2081;C2082 C2084 C2085;C2088 C2090 C2091;C2094 C2098 C2099;C2103 C2105 C2106;C2111 C2114 C2116;C2117 C2120 C2093;
141803010105	CAP,1uF,+80%-20%,16V,Y5V,0603	20	C2015 C2046;C2040 C2041;C2045;C2051 C2052 C2053;C2062 C2023 C2039;C2063 C2075;C2076;C2079;C2096 C2097;C2109 C2113 C2125;
141803010224	CAP,0.22uF,±10%,25V,X5R,0603	3	C2100 C2101 C2115;
141803010393	CAP,39nF,±10%,50V,X7R,0603	1	C2058;
141803010474	CAP,0.47uF,±10%,10V,X5R,0603	2	C2035 C2036;
141806000225	CAP,2.2uF,+80%-20%,16V,Y5V,0805	1	C2048;
141809010106	CAP,10uF,+80%-20%,16V,Y5V,1206	18	C2019 C2026 C2028;C2029 C2030 C2031;C2032 C2034 C2054;C2056 C2059 C2060;C2061 C2066 C2067;C2068 C2102 C2104;
141812000106	CAP,10uF,+80%-20%,25V,Y5V,1210	4	C2074 C2092 C2119;C2121;
141812000155	CAP,1.5uF,±10%,50V,X7R,1210	1	C2123;
141812050226	CAP,22uF,+80%-20%,25V,Y5V,2.2mm,1210	4	C2005 C2008 C2077;C2095;
141890000100	CAP,10pF,±5%,3KV,NPO,1808	1	C2118;
142200000004	SW DIODE,1N4148,200mW,300mA,SOD-323	7	D2002 D2003 D2004;D2005 D2006 D2009 D1;
142206000013	REC DIODE,1N4004,3A,1V,400V,SOD-106	1	D2007;
142224000003	ZENER DIODE,11V,300mW,SOD-323	1	D2008;
142233000006	SCHTTKY DIODE,RB551,0.5A,20V,SOD-323,ROM	2	D2000 D2001;
142245000048	TR,MMBT3906LT1(PNP),SOT-23,KEC	1	Q2007;
142251000001	TR,2N3904(NPN),SOT-23	6	Q2001 Q2002 Q2003;Q2005 Q2008 Q2006;
142290000004	ESD DIODE,PG05GBUSV,200W,24A,5G	1	ZD2000;
122400000039	IC,78L05L,SOT-89,UTC	1	U2002;
142400000117	IC,BA7071,SOP8,ROHM	1	U2001;
142400000169	IC,HEF4069UBT,PHILIPS	1	U2006;
142400000257	IC,MP1015,TSSOP20,MPS	1	U2017;
142400000282	IC,NJM3414AM,SOP-8,JRC	1	U2005;
142400000311	IC,RT9164-3.3V,SOT-223,RICHTEK	1	U2009;
142400000579	IC,KIA78M08,DPAK,KEC	1	U2016;
142400000605	IC,TSC2046IPWR,TSSOP16,TI	1	U2011;
142490000066	IC,74HC4538PW,PHILIPS	1	U2003;
142490000070	IC,VP77-LF,LQFP128,CHEERTEK	1	U2007;
142825000082	TCXO,20.00M,±10ppm,-20+70°C,18pF,SMD	1	X2000;
143010060439	PCB,VD,DV7510,FR4,0.6,141*117,OSP,1P	1	
143815000055	FFC SOCKET,26P,0.5mm,DOWN CONTACT	1	CN2001;
143815000138	FFC SOCKET,6P,0.5mm,DOWN CONTACT	1	CN2000;
123815000142	FFC SOCKET,8P,0.5mm,DOWN CONTACT	1	CN2002;
143815000146	FPC SOCKET,36P,0.5mm,SMD,UP	1	CN2003;

141658010116	ENCODER,EC110201M2G-HA1-004,H14.5,BB	1	SW1000;
143400000091	LCD,DV-7510	1	CN1000;
142490000037	IC,RPM6938,TO-126,ROHM	1	U1001;
143450000017	BACKLIGHT,?,DV-7510	1	U1000;
121460000136	DV-710TS,REMOTE MAT,EVA,T3.5	1	
141000000907	DV-7510,BKT,SPTE,T0.3	1	
141240000292000	DV-7510,LIGHT BKT,ABS	1	
121410000208	DV-7510,PORON MAT,72*2*0.3	2	
842DV7710KB004	DV7710 KB SMT	1	
141604000000	RES,0Ω,±5%,1/16W,0603	3	R1017 R1031 R1022;
141604000101	RES,100Ω,±5%,1/16W,0603	4	R1035 R1036 R1037;R1038;
141604000222	RES,2k2Ω,±5%,1/16W,0603	1	R1000;
141604000474	RES,470kΩ,±5%,1/16W,0603	1	R1044;
141604000561	RES,560Ω,±5%,1/16W,0603	8	R1002 R1003 R1004;R1007 R1008 R1032;R1039 R1;
141604010102	RES,1kΩ,±1%,1/16W,0603	3	R1043 R1028 R1005;
141604010103	RES,10kΩ,±1%,1/16W,0603	4	R1006 R1029 R1014;R1018;
141604010153	RES,15kΩ,±1%,1/16W,0603	1	R1030;
141604010203	RES,20kΩ,±1%,1/16W,0603	2	R1024 R1027;
141604010472	RES,4k7Ω,±1%,1/16W,0603	3	R1019 R1020 R1021;
141604010473	RES,47kΩ,±1%,1/16W,0603	1	R1023;
141604010622	RES,6k2Ω,±1%,1/16W,0603	1	R1025;
141668000004	V-RES,AVX,USB0004RP,0603*4,10p,18V	1	RN1000;
141803000102	CAP,1nF,±10%,16V,X7R,0603	7	C1000 C1001 C1002;C1003 C1006 C1008;C1016;
141803000104	CAP,0.1uF,+80%-20%,16V,Y5V,0603	5	C1009 C1010 C1011;C1012 C1017;
141803010105	CAP,1uF,+80%-20%,16V,Y5V,0603	2	C1005 C1007;
141809010106	CAP,10uF,+80%-20%,16V,Y5V,1206	2	C1018 C1019;
142000000036	INDUCTOR,10uH,0805	2	L1000 L1001;
142290000004	ESD DIODE,PG05GBUSV,200W,24A,5G	2	ZD1000 ZD1002;
142290000012	TR,KRC402,USM	1	Q1001;
142251000001	TR,2N3904(NPN),SOT-23	1	Q1000;
142400000581	IC,BU9728AKV-E2,VQFP48,ROHM	1	U1002;
143010040867	PCB,KB,DV7710,FR4,1.6,187*160,OSP,6P	1	
123210000026	TACT SW,3.5mm,TS-03M-BS/RS,180gf,SMD	4	K1000 K1002 K1003;K1001;
143405000036	LED,RED,FC-1608SEK-624C,0603,10mA	1	LED1009;
143405000084	LED,BLUE,19-217/BHC-XL2M2TY/3T,0603,5mA	8	LED1001 LED1002;LED1003 LED1004;LED1006 LED1008;LED1011 LED1;
123815000043	FFC SOCKET,20P,0.5mm,UPPER CONTACT	1	CN1001;
844DV7710MB077	DV7710 MB MI ASSM	1	
141842000478	E.CAP,4700uF,±20%,14*26,16V,105°C	2	EC101 EC102;
141842060477	E.CAP,470uF,±20%,8*12,16V,85°C	2	EC143 EC18;
141842030227	E.CAP,220uF,±20%,8*5,16V,105°C	1	EC17;
144815000094	TUNER,DNB405,KST-CF112LVD-120F,FM/AM	1	U107;
143805000022	SOCKET,16P,2.5mm,DIP 90°,WHITE	1	CN102;
143805000152	SOCKET,8P,1.5mm,DIP 180°	2	CN1 CN101;
142400000909	IC,LM2576T-ADJ,TO220,HN	1	U404;
142400000592	IC,TDA7388,FLEXIWATT25,ST	1	U100;
842DV7710MB077	DV7710 MB SMT ASSM	1	
141668000004	V-RES,AVX,USB0004RP,0603*4,10p,18V	3	RN127 RN128 RN33;
141618000102	NET RES,1kΩ*4,±5%,1/16W,0603	3	RP100 RP101 RP103;
141608000393	RES,39k,±5%,1/4W,1206	2	R197 R515;
141608010020	RES,2Ω,±1%,1/8W,1206	1	R151;
141608000103	RES,10kΩ,±5%,1/4W,1206	3	R201 R219 R548;
141608009033	RES,0.33Ω,±5%,1/8W,1206	3	R556 R557 R558;
141604000622	RES,6k2Ω,±5%,1/16W,0603	2	R199 R502;
141604000392	RES,3k9Ω,±5%,1/16W,0603	6	R284 R305 R308;R309 R340 R384;
141604000204	RES,200kΩ,±5%,1/16W,0603	1	R356;
141604000183	RES,18kΩ,±5%,1/16W,0603	3	R19 R358;R76;
141604000153	RES,15kΩ,±5%,1/16W,0603	1	R93;
141604000100	RES,10Ω,±5%,1/16W,0603	1	R65;
141604000910	RES,91Ω,±5%,1/16W,0603	2	R434 R436;
141604000822	RES,8.2KΩ,±5%,1/16W,0603	1	R77;

141604000471	RES,470Ω,±5%,1/16W,0603	19	R10 R11 R148 R150;R154 R155 R156 R157;R158 R165 R171 R172;R173; R67 R85;R230 R231;R192 R193;
141604000560	RES,56Ω,±5%,1/16W,0603	1	R17;
141604000330	RES,33Ω,±5%,1/16W,0603	24	R146 R147 R149 R160;R161 R166 R167 R174;R236 R393 R42;R47 R52 R53 R73;R84 R86 R87 R88;R96;R332 R333 R351 R362;
141604010202	RES,2kΩ,±1%,1/16W,0603	1	R36;
141604000202	RES,2kΩ,±5%,1/16W,0603	2	R23 R24;
141608000101	RES,100Ω,±5%,1/8W,1206	3	R100 R101 R102;
141606000010	RES,1Ω,±5%,1/10W,0805	1	R58;
141604000010	RES,1Ω,±5%,1/16W,0603	1	R22;
141604000750	RES,75Ω,±5%,1/16W,0603	5	R123 R322 R352 R427;R8;
141604000682	RES,6.8kΩ,±5%,1/16W,0603	4	R107 R238 R271 R277;
141608000472	RES,4k7Ω,±5%,1/4W,1206	3	R226 R250 R251;
141604000472	RES,4k7Ω,±5%,1/16W,0603	31	R106 R108 R135 R164;R170 R182 R227 R243;R26 R29 R297 R320;R371 R374 R437 R438;R439 R440 R447 R452;R477 R488 R63 R64;R68 R69 R71 R72;R89 R244 R257;
141604000047	RES,4Ω7,±5%,1/16W,0603	2	R2 R94;
141606000100	RES,10Ω,±5%,1/10W,0805	2	R61 R62;
141604000513	RES,51kΩ,±5%,1/16W,0603	3	R70 R81 R83;
141604000473	RES,47kΩ,±5%,1/16W,0603	24	R116 R117 R124 R125;R126 R175 R178 R179;R194 R209 R213 R214;R218 R221 R25 R359;R428 R527 R531 R559;R560 R561;R259 R261;
141604000470	RES,47Ω,±5%,1/16W,0603	2	R131 R139;
141604000302	RES,3kΩ,±5%,1/16W,0603	3	R245 R357 R385;
141604010331	RES,330Ω,±1%,1/16W,0603	1	R234;
141604010391	RES,390Ω,±1%,1/16W,0603	8	R363 R398;R38 R45 R48;R43 R46 R49;
141604010752	RES,7k5,±1%,1/16W,0603	1	R247;
141604010222	RES,2k2Ω,±1%,1/16W,0603	1	R255;
141604000333	RES,33kΩ,±5%,1/16W,0603	1	R39;
141604010303	RES,30kΩ,±1%,1/16W,0603	1	R216;
141604000475	RES,4.7MΩ,±5%,1/16W,0603	2	R145 R196;
141604000205	RES,2MΩ,±5%,1/16W,0603	2	R120 R121;
141604010201	RES,200Ω,±1%,1/16W,0603	1	R394;
141604000224	RES,220kΩ,±5%,1/16W,0603	1	R137;
141604000000	RES,0Ω,±5%,1/16W,0603	17	C210 R128 R129 R140;R18 R183 R184 R401;R41 R57 R79;R303 R304 R270 R273;R280 R383;
141604000221	RES,220Ω,±5%,1/16W,0603	2	R59 R60;
141604000203	RES,20kΩ,±5%,1/16W,0603	11	R200 R242 R252 R253;R283 R285 R524 R532;R538 R66 R20;
141604000182	RES,1k8Ω,±5%,1/16W,0603	1	R264;
141604010102	RES,1kΩ,±1%,1/16W,0603	2	R27 R28;
141604000102	RES,1kΩ,±5%,1/16W,0603	34	R1 R118 R119 R122;R127 R134 R141; R187 R189 R191;R195 R198 R202 R203;R206 R207 R210 R220;R233 R239 R249 R300;R301 R386 R40 R476;R503 R504 R525 R543;R549 R91 R95 R98;
141608000102	RES,1kΩ,±5%,1/4W,1206	1	R130;
141604000105	RES,1MΩ,±5%,1/16W,0603	4	R133 R186 R343;R263;
141604000184	RES,180kΩ,±5%,1/16W,0603	8	R105 R109 R228 R246;R465 R485 R78;R256;
141604010153	RES,15kΩ,±1%,1/16W,0603	2	R185 R190;
141604010151	RES,150Ω,±1%,1/16W,0603	1	R138;
141604000123	RES,12kΩ,±5%,1/16W,0603	2	R114 R409;
141604000113	RES,11kΩ,±5%,1/16W,0603	2	R103 R541;

141604010103	RES,10kΩ,±1%,1/16W,0603	16	R110 R111 R144 R16;R211 R217 R235 R328;R4 R416 R417 R418;R444 R445 R5 R50;
141604000103	RES,10kΩ,±5%,1/16W,0603	39	R115 R12 R136 R14;R15 R152 R180 R188;R225 R237 R241 R258;R274 R275 R3 R375;R376 R377 R378 R387;R395 R408 R44 R454;R455 R480 R501 R507;R508 R521 R55 R6;R74 R80 R82 R99 R21;R260 R262;
141604010104	RES,100kΩ,±1%,1/16W,0603	1	R215;
141604000911	RES,910Ω,±5%,1/16W,0603	2	R321 R327;
141604000101	RES,100Ω,±5%,1/16W,0603	25	R104 R13 R153 R176;R177 R204 R205;R222 R229;R276 R279 R282;R286 R296;R335 R35 R360 R37;R370 R397 R403;
			R404 R7 R90 R97;
141604000514	RES,510kΩ,±5%,1/16W,0603	2	R51 R54;
141604000104	RES,100kΩ,±5%,1/16W,0603	9	R168 R169 R208 R212;R223 R224 R314 R390;R540;
141827000106	SMD E-CAP,10uF,±20%,4*5.3,16V,105 °C	8	EC1 EC12 EC13 EC3;EC31 EC4 EC5 EC6;
141803000470	CAP,47pF,±5%,16V,NPO,0603	1	C175;
141803000471	CAP,470pF,±10%,50V,X7R,0603	1	C129;
141803000223	CAP,22nF,±10%,50V,X7R,0603	2	C136 C137;
141803000221	CAP,220pF,±10%,50V,NPO,0603	2	C53 C55;
141809010106	CAP,10uF,+80%-20%,16V,Y5V,1206	8	C181 C193 C20 C363;C375 C392 C84 C93;
141803010273	CAP,27nF,±10%,16V,X7R,0603	1	C16;
141803000150	CAP,15pF,±5%,50V,NPO,0603	3	C119 C91 C92;
141803000561	CAP,560pF,±10%,16V,X7R,0603	4	C229 C236 C243 C95;
141803000330	CAP,33pF,±5%,50V,NPO,0603	15	C184 C185 C301 C318;C323 C331 C332 C333;C335;C27 C28 C89 C97;C120 C121;
141803000120	CAP,12pF,±5%,50V,NPO,0603	2	C1 C2;
141803000270	CAP,27pF,±5%,16V,NPO,0603	3	C164 C77 C78;
141803010331	CAP,330pF,±5%,16V,NPO,0603	3	C138 C139 C182;
141803000271	CAP,270pF,±10%,16V,X7R,0603	2	C187 C422;
141803000110	CAP,11pF,±5%,16V,NPO,0603	4	C324 C26 C86 C99;
141812000106	CAP,10uF,+80%-20%,25V,Y5V,1210	2	C208 C336;
141803010105	CAP,1uF,+80%-20%,16V,Y5V,0603	36	C101 C102 C103 C104;C105 C106 C107 C11;C110 C111 C115 C124;C131 C133 C134 C146;C152 C198 C201 C209;C215;C23 C233 C25;C3 C362 C374 C381;C388 C454 C459 C5;C50 C6 C9 C90;
141803020104	CAP,0.1uF,+80%-20%,50V,Y5V,0603	1	C212;
141803000104	CAP,0.1uF,+80%-20%,16V,Y5V,0603	76	C10 C108 C109 C112;C113 C114 C116 C117;C118 C12 C125 C127;C130 C132 C150 C157;C17 C18 C186 C205;C222 C280 C29 C299;C302 C305 C307 C312;C345 C35 C36 C365;C384 C387 C4 C41;C42 C421 C429 C43;C44 C45 C457 C46;C461 C48 C49 C57;C58 C59 C60 C61;C62 C63 C65 C66;C68 C69 C7 C70;C71 C72 C73 C74;C75 C76 C79 C8;C80 C81 C82 C85;C87 C88 C94;C142;
141803000103	CAP,10nF,±10%,50V,X7R,0603	33	C100 C128 C145; C15 C19 C197;C211 C214 C219 C230;C238 C246 C253 C268;C269 C281 C33 C350;C37 C38 C39 C40;C409 C413 C416 C427;C435 C52 C54 C56;C64 C83 C96;
141803000300	CAP,30pF,±5%,50V,NPO,0603	2	C171 C172;



141803000102	CAP,1nF,±10%,16V,X7R,0603	10	C13 C14 C30 C303;C31 C32 C414 C47;C51 C67;
141803000101	CAP,100pF,±10%,50V,NPO,0603	4	C178 C183 C200 C21;
141803040105	CAP,1uF,±10%,25V,X5R,0603	4	C207 C216 C220 C98;
141809000106	CAP,10uF,±10%,10V,X5R,1206	10	C122 C126 C140 C141;C144 C149 C190 C22;C24 C364;
141827000107	SMD E-CAP,100uF,±20%,6.3*5.5,16V,105°C	8	EC103 EC11 EC131;EC132 EC147 EC16;EC2 EC21;
141827000226	SMD E-CAP,22uF,±20%,4*5.3,16V,105°C	4	EC105 EC125 EC139;EC8;
141827000227	SMD E-CAP,220uF,±20%,6.3*5.5,6.3V,105°C	2	EC146 EC30;
141827000105	SMD E-CAP,1uF,±20%,4*5.3,50V,105°C	1	EC112;
141827020476	SMD E-CAP,47uF,±20%,5*5.3,16V	13	EC10 EC107 EC141;EC19 EC20 EC22;EC24 EC25 EC26;EC27 EC28 EC29 EC9;
142090000011	POWER INDUCTOR,33uH,±10%,1.1A,CDH74	1	L111;
142000000239	POWER INDUCTOR,47uH,±20%,1.8A,CDH104R	2	L112 L115;
142000000135	POWER INDUCTOR,22uH,CD32	4	L101 L107 L116;L16;
142000000047	INDUCTOR,1uH,100mA,0805,±10%,F COIL	4	L117 L1 L2 L3;
142000000039	INDUCTOR,10uH,1206	1	FB2;
142000000036	INDUCTOR,10uH,0805	1	L113;
142040000039	CHIP BEAD,0805,CBW0805U121MT,120Ω	5	FB155 FB157 FB158;FB5 FB6;
142040000030	CHIP BEAD,0603,600R,CBY0603U601MT	22	FB105 FB106 FB109;FB110 FB113 FB114;FB121 FB128 FB129;FB130 FB131 FB133;FB138 FB139 FB14;FB140 FB16 FB23;FB24 FB3 FB4 FB7;
142040000054	CHIP BEAD,1206,0.5A,0.3Ω,BGH3216A151HB	3	FB1 FB11 FB15;
142251000005	TR,2SB1132,SOT-89	2	Q204 Q205;
142245000048	TR,MMBT3906LT1(PNP),SOT-23,KEC	3	Q126 Q130 Q141;
142290000022	TR,KTC4375Y,SOT-89,KEC	1	Q107;
142290000026	TR,KTD1624C,SOT-89,KEC	1	Q109;
142290000012	TR,KRC402,USM	10	Q100 Q101 Q102 Q108;Q11 Q111 Q112 Q133;Q136 Q142;
142290000009	TR,KRA304,USM	2	Q110 Q123;
142206000013	REC DIODE,1N4004,3A,1V,400V,SOD-106	6	D101 D104 D131 D132;D8 D12;
142206000022	REC DIODE,1N5404,SMC	1	D100;
142224000093	ZENER DIODE,12V,300mW,SOD-323	1	ZD106;
142224000138	ZENER DIODE,4.3V,±0.3V,SOD323,TAPE	1	ZD2;
142224000018	ZENER DIODE,5.1V,300mW,SOD-323	1	ZD1;
142224000085	ZENER DIODE,18V,300mW,SOD-323	3	ZD103 ZD105 ZD107;
142233000036	SCHOTTKY DIODE,RB055L-40,40V,3A	1	D114;
122290000002	ESD DIODE,IMSA-6801-01Y901,0805	1	D115;
142825000053	TCXO,8.00M,±15ppm,-30+90°C,20pF,SMD	1	X101;
142825000029	TCXO,27.000M,±10ppm,-30+90°C,20pF,SMD	1	X1;
142266000004	MOSFET,AO3401,SOT-23	7	M101 M105 M106;M109 M111 M3 M1;
142266000005	MOSFET,IRF7205,SOP8,IR	1	M100;
142266000002	MOSFET,2SK3018,UMT3	2	M107 M108;
142400000424	IC,XC6202P502PR,SOT-89,TOREX	1	U114;
122400000039	IC,78L05L,SOT-89,UTC	1	U9;
142400000384	IC,TDA7419TR,SO28,ST	1	U1;
142400000629	IC,ST7FAUDIOAR9E,TQFP64,ST(FALSH 60K)	1	U112;
142410000091	IC,SST39VF1601-70-4C-EKE,TSOP-48,SST	1	U7;
142400000730	IC,AM5766FM,HSOP28,AMTEK,MOTOR DRIVER	1	U301;
142400000276	IC,NJM2267M,SSOP8,NJRC	1	U104;
142400000179	IC,IS42S16400-7T,TSOPII-54,ISSI	1	U5;
142490000093	IC,ZR36966-U,PQFP208,ZORAN	1	U2;
142410000117	IC,AT24C16-5V,SOP-8,ATMEL	1	U130;
122400000207	IC,LD1117A-1.8V,SOT-223	1	U134;
122400000416	IC,UTC4558,SOP-8,UTC	2	U11 U13;
142400000579	IC,KIA78M08,DPAK,KEC	2	U101 U119;
142400000989	IC,XC6202PC02PR,SOT-89,TOREX	1	U146;
142400000819	IC,CS4344,TSSOP-10,CIRRUS	1	U12;
142400000013	IC,74HC00,SOP14	1	U3;
122400000206	IC,LD1117A,3.3V,SOT-223	1	U136;
142490000015	IC,HEF4052BT,SOP16,PHILIPS	3	U10 U139;U8;

14480000001	FUSE,1812FSMD110,1.1A,6V,PTC	2	FU100 FU106;
144800000012	FUSE,FSMD050-1206,0.5A,8V,PTC	3	FU2 FU3 FU5;
143805000497	SOCKET,4P,2.0mm,SMD,USB2.0	1	CON1;
143805000034	SOCKET,2P,1.25mm,UPRIGHT	1	CN108;
143815000046	FFC SOCKET,24P,0.5mm,UPPER CONTACT	1	CN303;
143815000191	FPC SOCKET,14P,0.5mm,SMD,UP	1	CN3;
123815000093	FFC SOCKET,50P,0.5mm,DOWN CONTACT,HC	1	CN107;
123815000043	FFC SOCKET,20P,0.5mm,UPPER CONTACT	1	CN110;
143805000495	SOCKET,6P,3.5mm,EARPHONE SOCKET	1	CN6;
143015070192	PCB,MB,DV-7710,FR4,1.2,171*171,OSP,1P	1	
142290000025	TR,KTD1304,SOT-23,KEC	6	Q115 Q117 Q124 Q127;Q8 Q119;
142251000001	TR,2N3904(NPN),SOT-23	9	Q1 Q113 Q128;Q129 Q137 Q138 Q139;Q2;Q13;
141803000682	CAP,6.8nF,±10%,50V,X7R,0603	2	C148 C135;
141604000201	RES,200Ω,±5%,1/16W,0603	5	R325 R278 R254 R265;R281;
142233000006	SCHTTKY DIODE,RB551,0.5A,20V,SOD-323,ROM	1	D112;
142200000004	SW DIODE,1N4148,200mW,300mA,SOD-323	16	D1 D10 D106 D11;D116 D118 D119;D130 D138 D140 D2;D4 D5 D9 D13 D14;
123805000306	SOCKET,12P,1.5mm,DIP180°	1	CN100;
841DV7710CN000	DV7710 CN	1	
144840000053	DECK,DL-08H,+HOP1200W-B,PICK UP	1	
844DV7710CN000	DV7710 CN DIP	1	
123490000007	INFRARED TRANSMITTER,IR908-7C	2	D3 D6;
842DV7710CN000	DV7710 CN SMT	1	
143010001072	PCB,SB,DV-7710,FR4,1.2,197*142,OSP,1P	1	
143815000132	FFC SOCKET,14P,0.5mm,DOWN CONTACT BUCKLE	1	CN4;
141608000121	RES,120Ω,±5%,1/8W,1206	1	R132;
121455000030	DV-7710,PROTECTIVE FILM 1,PE,TFT LENS	1	
121455010027	DV-7710,PROTECTIVE FILM,PE	1	
121445010165	DV-7710,DOUBLE TAPE,810HD	1	
121415010094	DV-7700,INSULATING SHEET,PET	1	
121450010100	DV-7700,DUSTPROOF NET,CLOTH	1	
141000011354	DV-7700,BOT COVER,SECC,T0.8	1	
127070004496	DV-7710AVX,HARDWARE LABEL	1	
127070004493	DV-7710AVX,MANUAL LABEL	1	
127070004488	DV-7710AVX,MODEL LABE	1	
127070004500	DV-7710AVX,POWER LABEL	1	
127070004497	DV-7710AVX,RIM LABEL	1	
127070002872	DV-7520AVX,INSTALLATION CARD	1	
127070004498	DV-7710AVX,HOUSING LABEL	1	
127070021701	VM9411,WARNING LABEL,30*15(ENGLISH)	1	
127075000775	DV-620J,MANUAL LABEL	1	
127075001798	DV-7710AVX,MANUAL	1	
143840080010	WIRE HARNES,VM9411,16P,PWR,10A	1	
127070003871	DV-6300,CONSUME GUIDE,ADVENT	1	
143830010583	I/O,DV-7700,16P,CAM/A/V CABLE	1	
123830010653	I/O,UV9,12P, NAV/IP/XM CABLE	1	
127070004528	DV-7710AVX,PARKING LABEL	1	
127070004529	DV-7710AVX,FIX LABEL	1	
127070004537	DV-7710AVX,CLEAR LABEL	1	
121045010065	SCREW,CM,BLACK ZINC,M2*2,Hφ3.5*0.4	4	
121045010116	SCREW,FM,WHITE ZINC,M5*5	4	
127070004596	DN-6310AVX,CONSUME GUIDE,EMUSIC	1	
127070004701	DV-7710AVX,WIRE CARD,FRENCH	1	
121425000046	DV-7310,HDMI F-JACKET,PE	1	
141000001355	DV-7700,FAN SHEET,SECC,T1.0	1	
144850000001	FAN,DFS300612H HYSINT,YLTC	1	
141015000090	DV-7700,HEAT SINK,AL	1	
121000001532	DV-7700,IC BKT,SECC,T0.8	1	
121100070079	SCREW,BM,BLUE ZINC,M2.6*10	2	