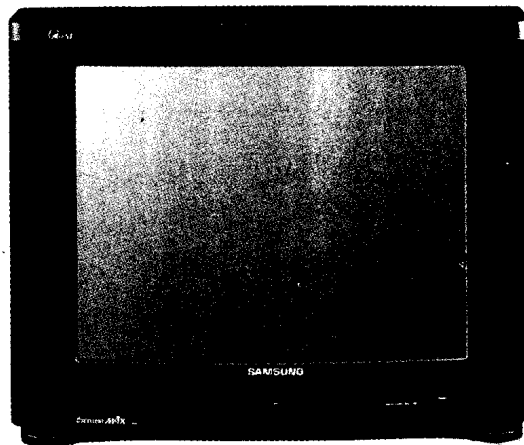


SERVICE MANUAL

MODEL : CX6226W/EUROX
CHASSIS : S60MT & RM113

COLOUR TELEVISION RECEIVER



RTV servis Horvat

Kešinci, 31402 Semeljci

031-856-139

031-856-637

098-788-319

rtv-servis-horvat@os.tel.hr

Croatia

SPECIFICATIONS

Television System :

PAL/SECAM - B/G, REMOTE CONTROL SYSTEM

Receiving Channel :

System Band	PAL SECAM B/G
VHF	2 - 12
UHF	21 - 69

Intermediate Frequency :

System	PAL SECAM B/G
I-F Carrier Frequency	
Picture I-F Carrier	38.90
Sound I-F Carrier	33.40
Colour Sub Carrier	34.47

(Units:MHz)

Picture Tube :

25" A59KHQ193X01(K) diagonal measured, Quick-start, In-line-gun, Black stripe, 90° degrees deflection

Power Requirements :

AC 220 V , 50 Hz , 125 WATT

Antenna Input Impedance :

VHF,UHF : 75 Ohm Unbalanced type

Speaker :

Impedance : 8 Ohm , 10W

Features :

Voltage synthesized tuning System, On-screen Display, Auto-fine Tuning, Dark Tube, Auto Brightness Control, 51-Key Transmitter.

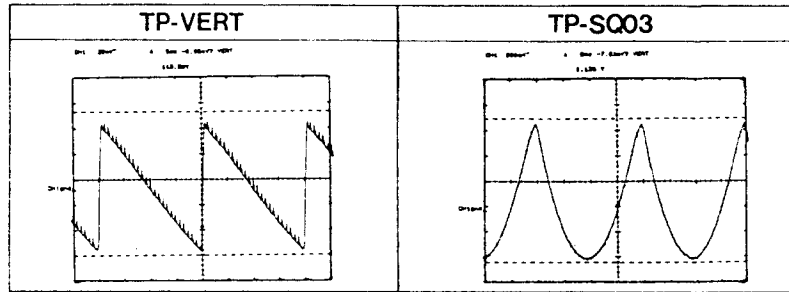
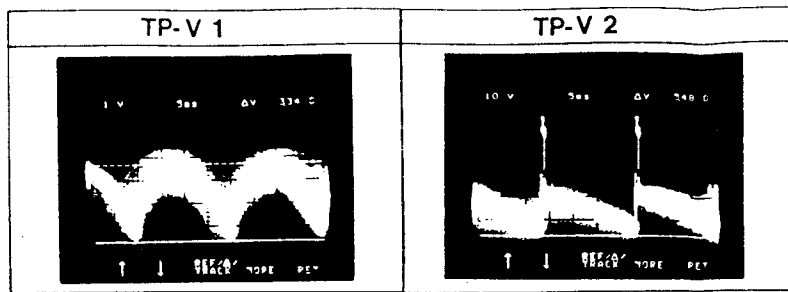
SAFETY CAUTION :

Before servicing this chassis, it is important that a service technician reads and follows the "Safety Precaution" and "Product Safety Notice" in this Service Manual.

* For continued X-radiation, replace the picture tube with original type.

* Design and specifications are subject to change without prior notice.

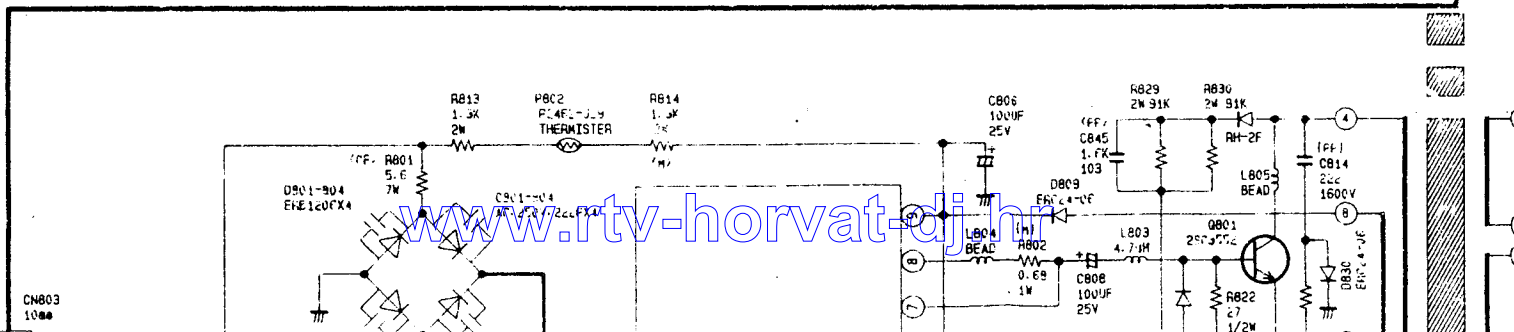
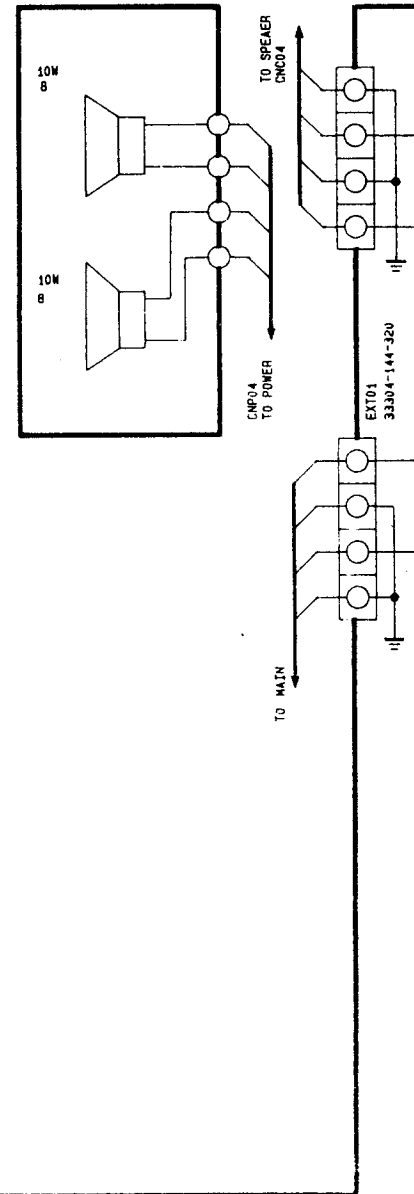
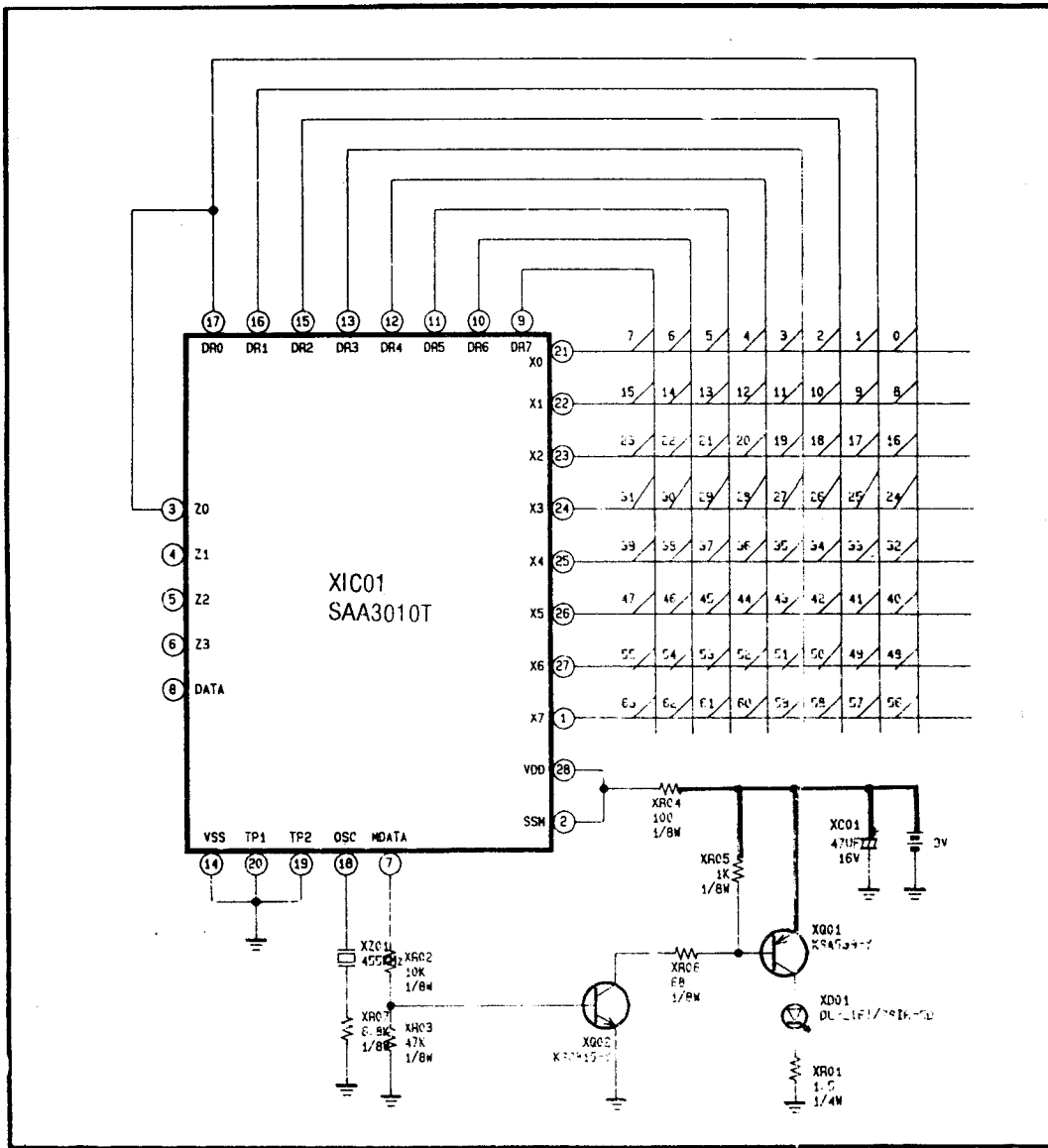
* WARNING-SHOCK HAZARDS - Use an isolation transformer when servicing.



* MARK OPTION

LOCATION	TOSHIBA CRT
R302	1/2W 330
R305	1/8W 47K
R308	1/8W 3K
R312	JUMPER
R309	1/2W 2
R320	1/2W 0.68
R321	1/4W 510
R411	1/2W 110K-F
L405	62MH
R311	130K

PWB-TRANSMITTER

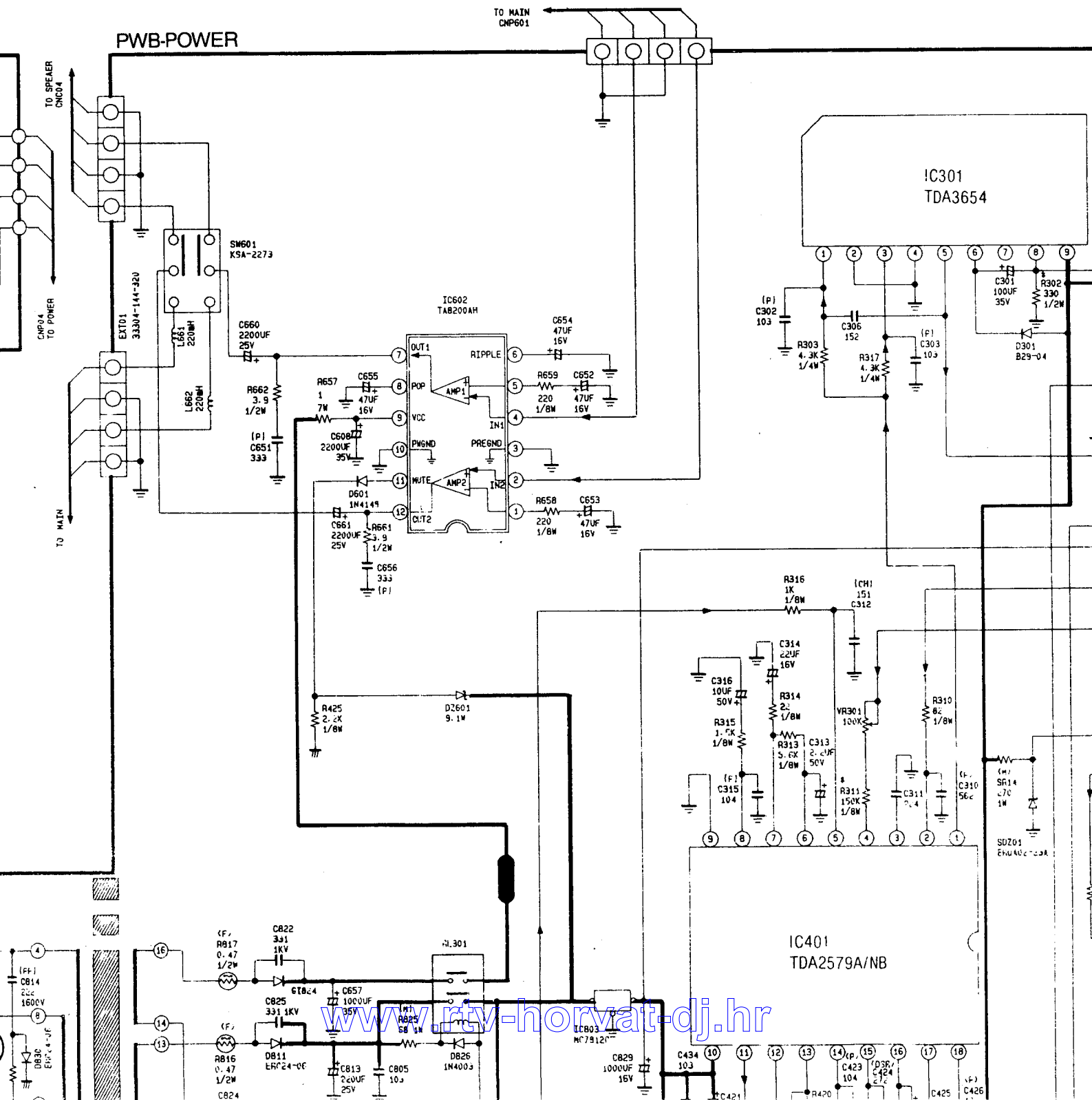
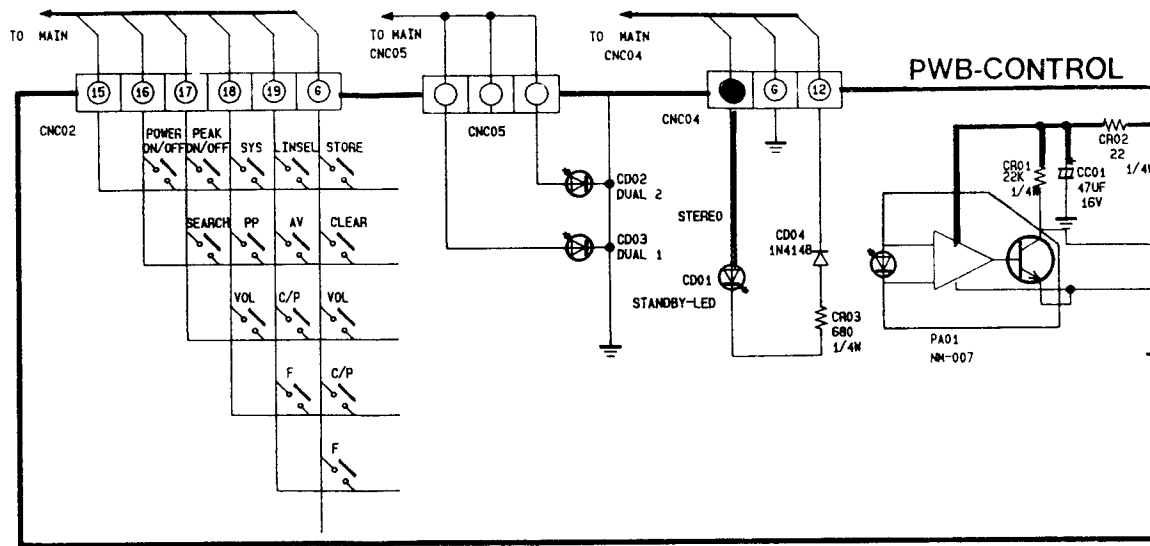


www.rtv-horvat-dj.hr

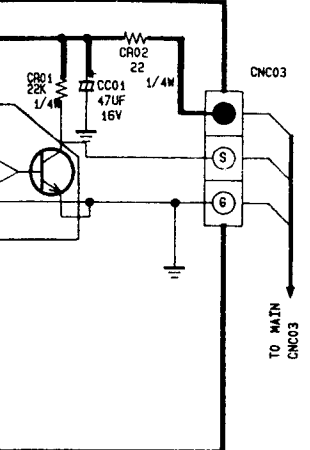
CH803 1000

OPTION

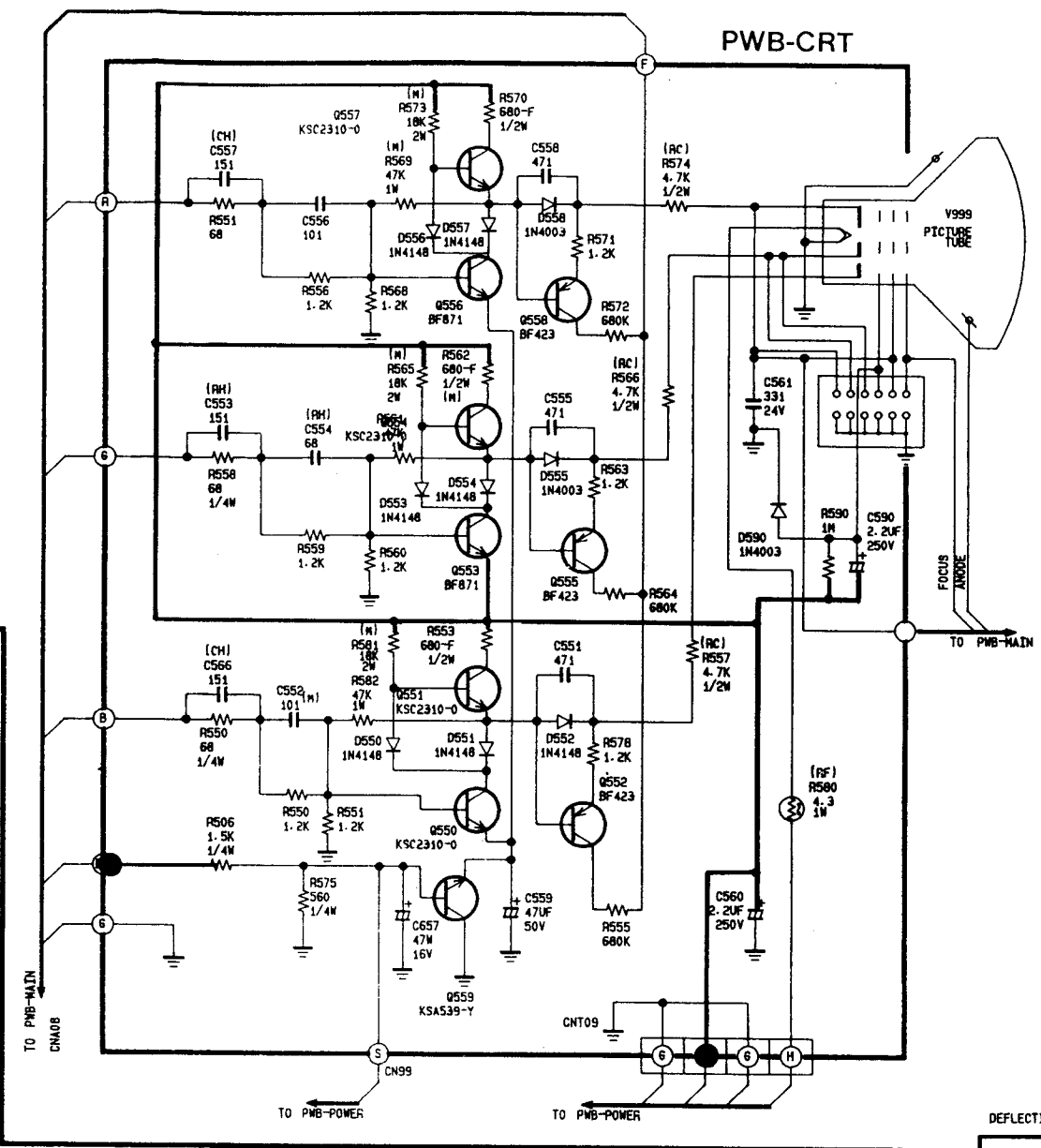
OPTION	TOSHIBA CRT	PHILIPS CRT
1302	1/2W 330	1/2W 560
1305	1/8W 47K	1/8W 43K
1308	1/8W 3K	1/8W 3.6K
1312	JUMPER	1/8W 220
1309	1/2W 2	1/2W 1
1320	1/2W 0.68	1/2W 1
1321	1/4W 510	1/4W 1K
1411	1/2W 110K-F	1/2W 120K-6
1405	62MH	22MH
1311	130K	150K



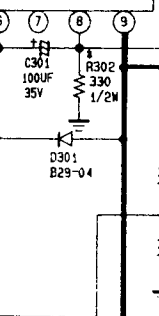
-CONTROL



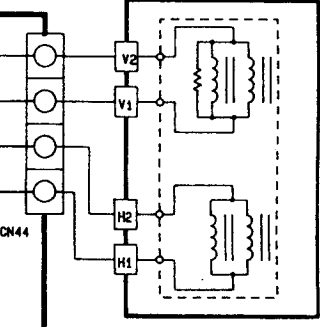
PWB-CRT



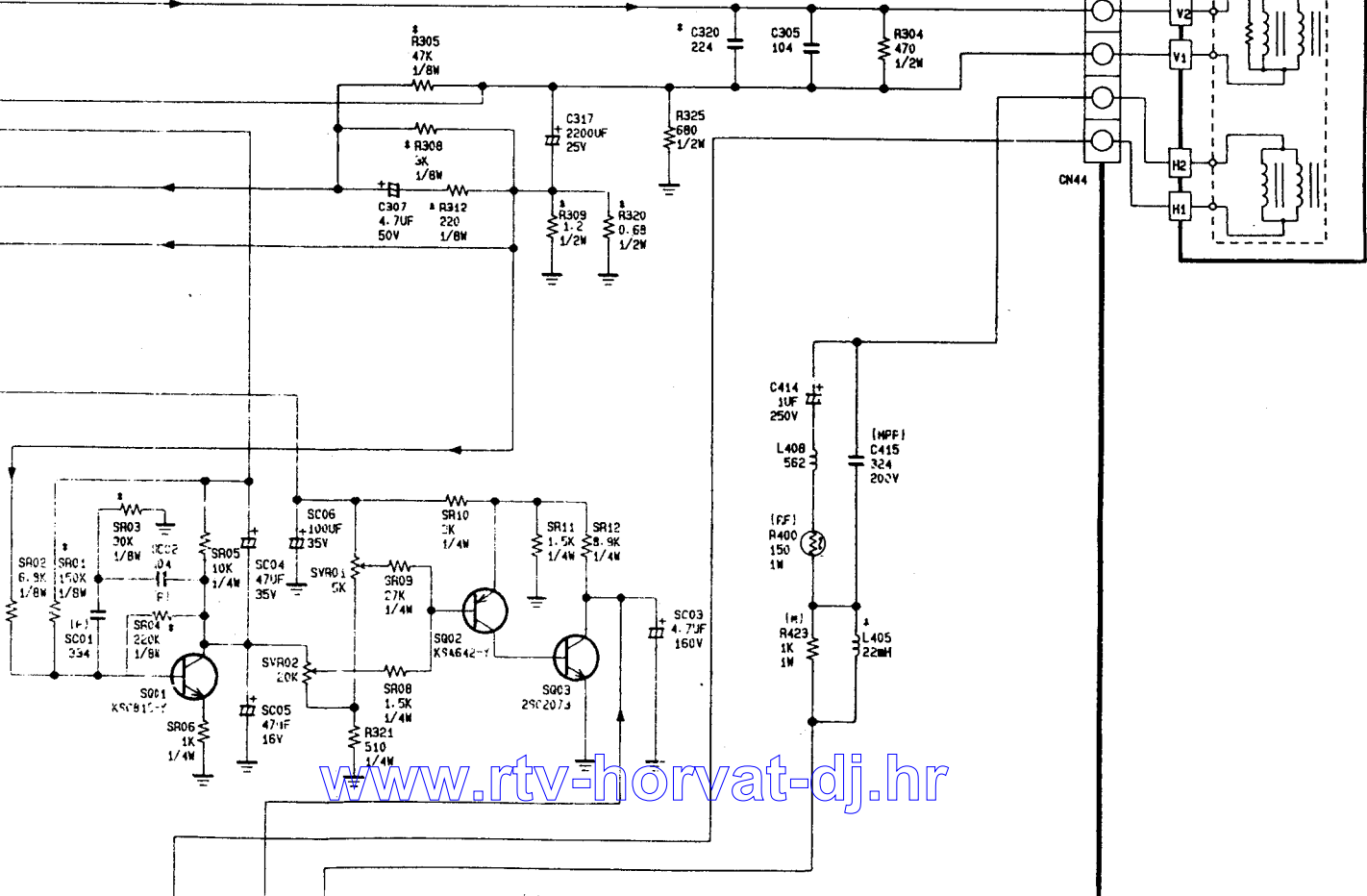
4

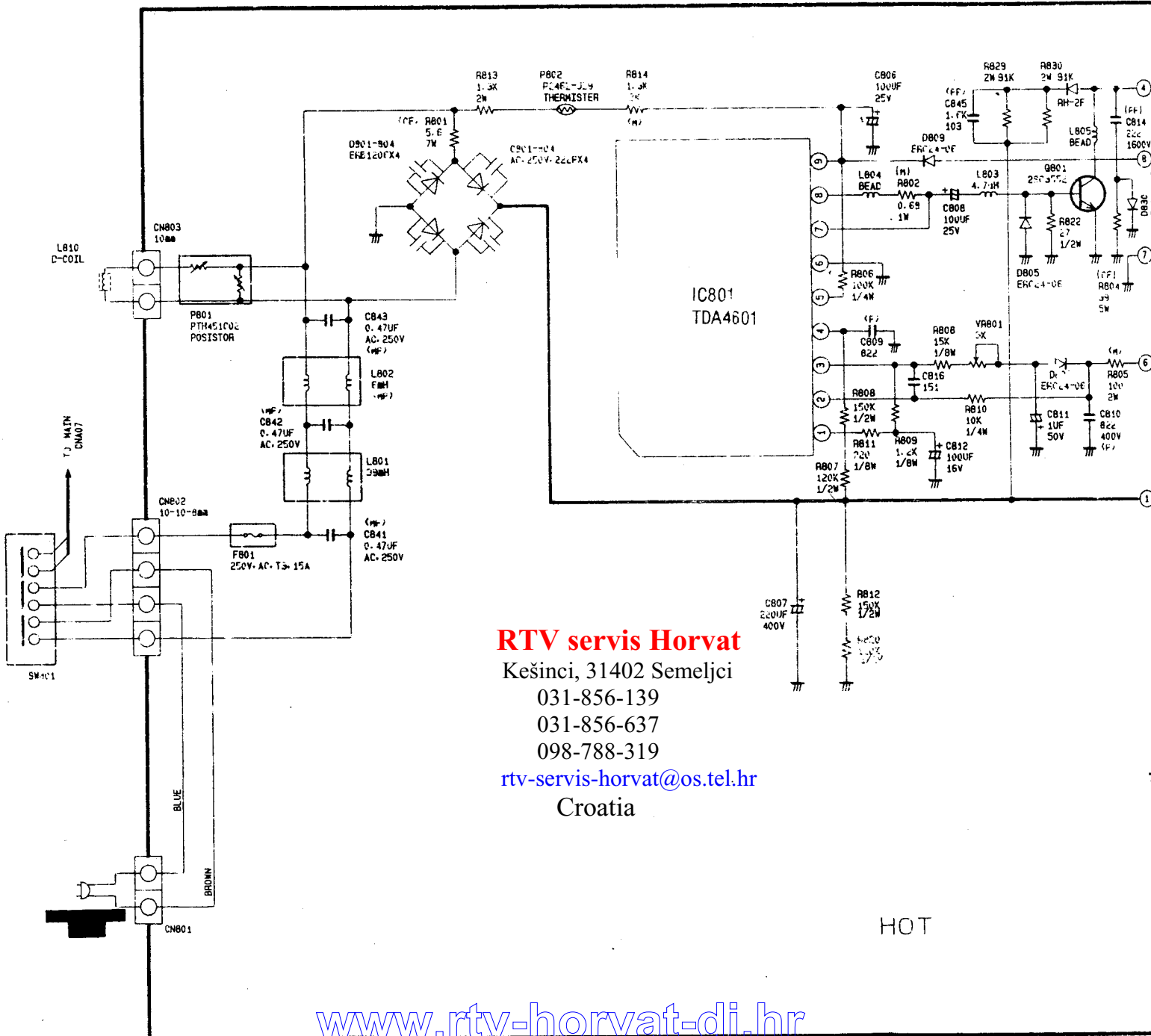
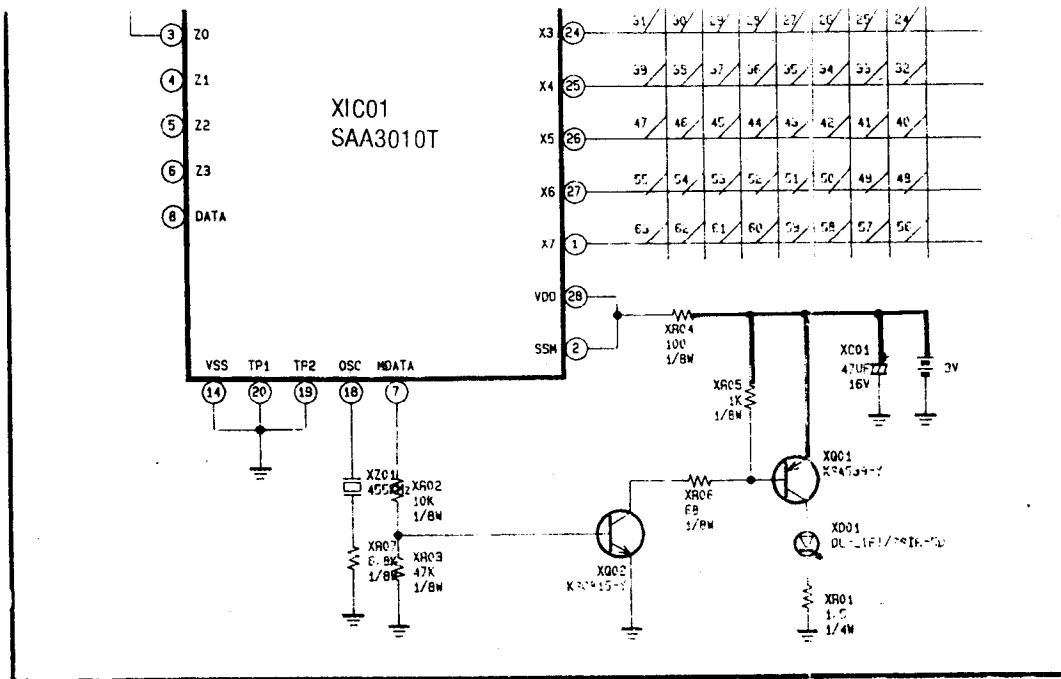


DEFLECTION YOKE



SD201
EHWAC-20A





RTV servis Horvat

Kešinci, 31402 Semeljci

031-856-139

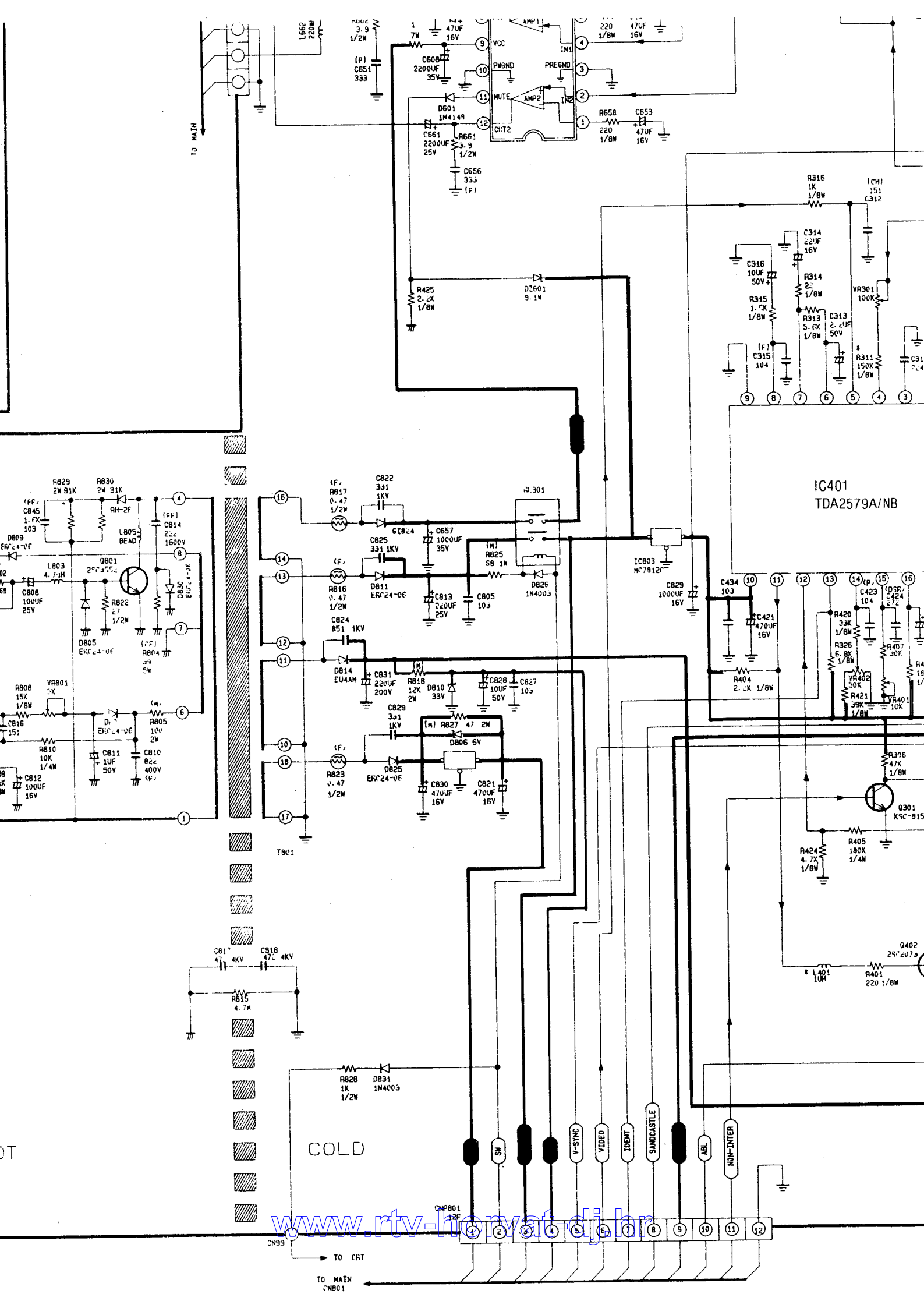
031-856-637

098-788-319

rtv-servis-horvat@os.tel.hr

Croatia

HOT



TO MAIN

IC801
TDA2579A/NB

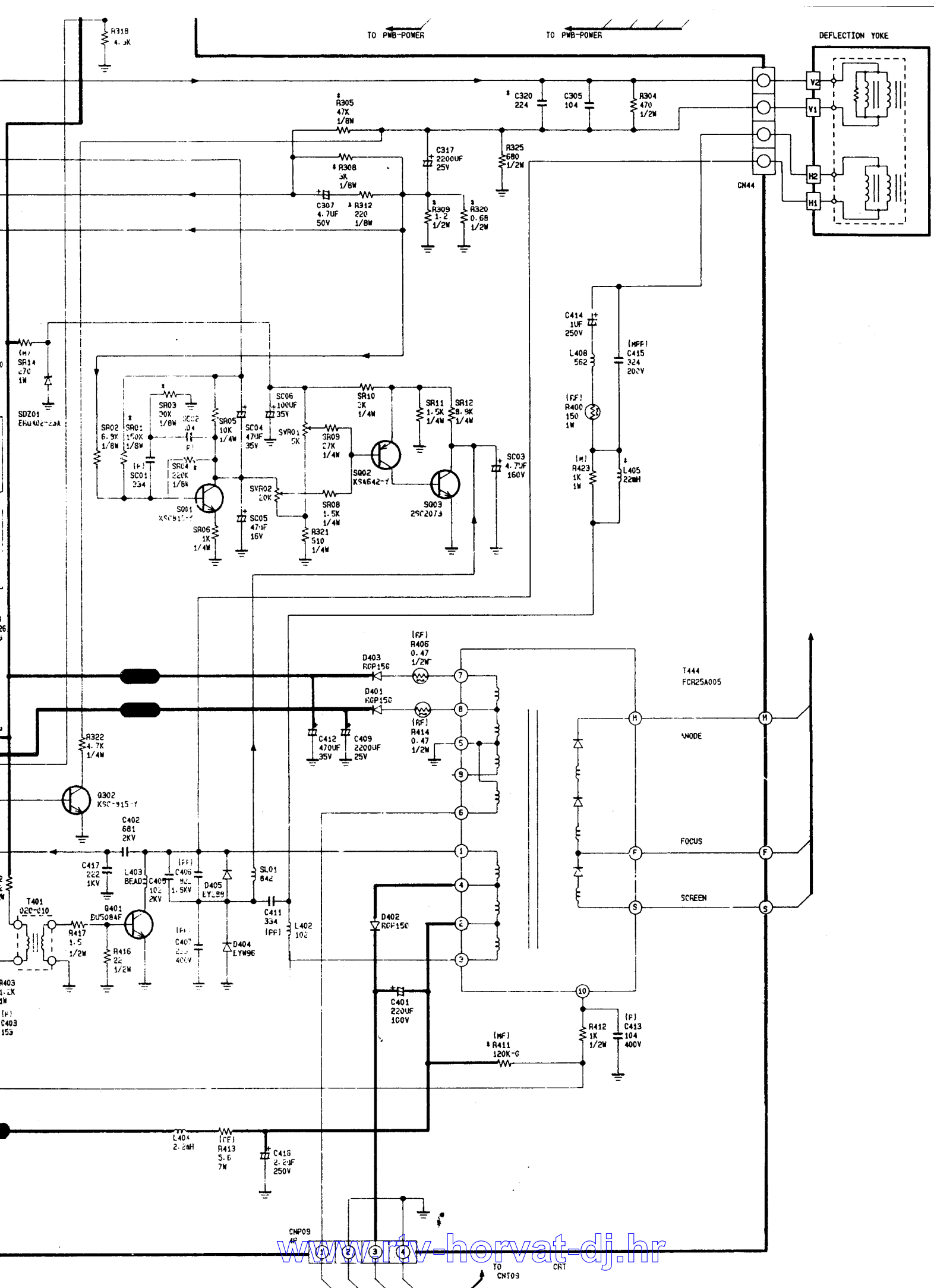
COLD

www.rtv-horvat-dij.hr

TO MAIN
CNB01

TO CRT
CNB01

DT

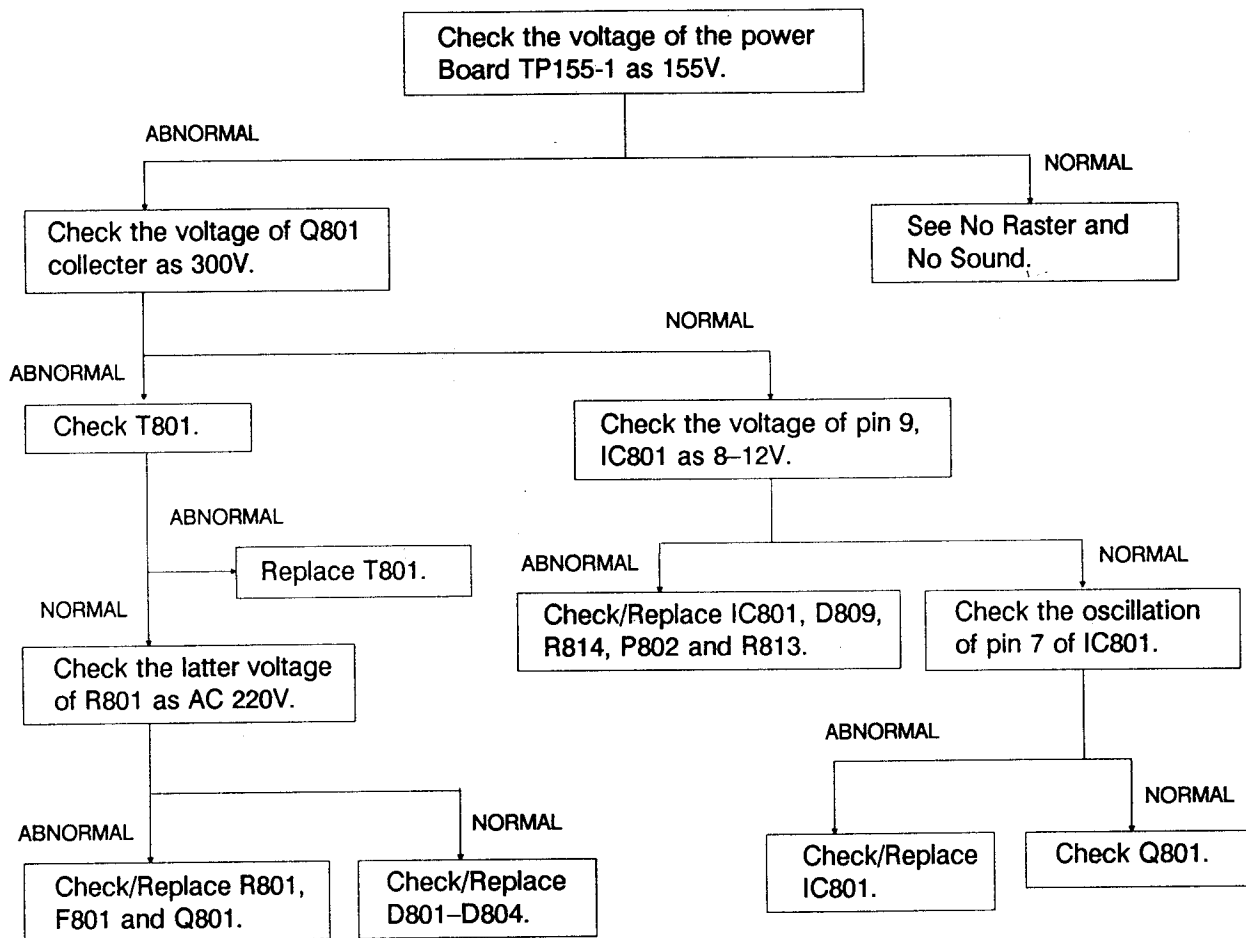


14. TROUBLESHOOTING CHARTS

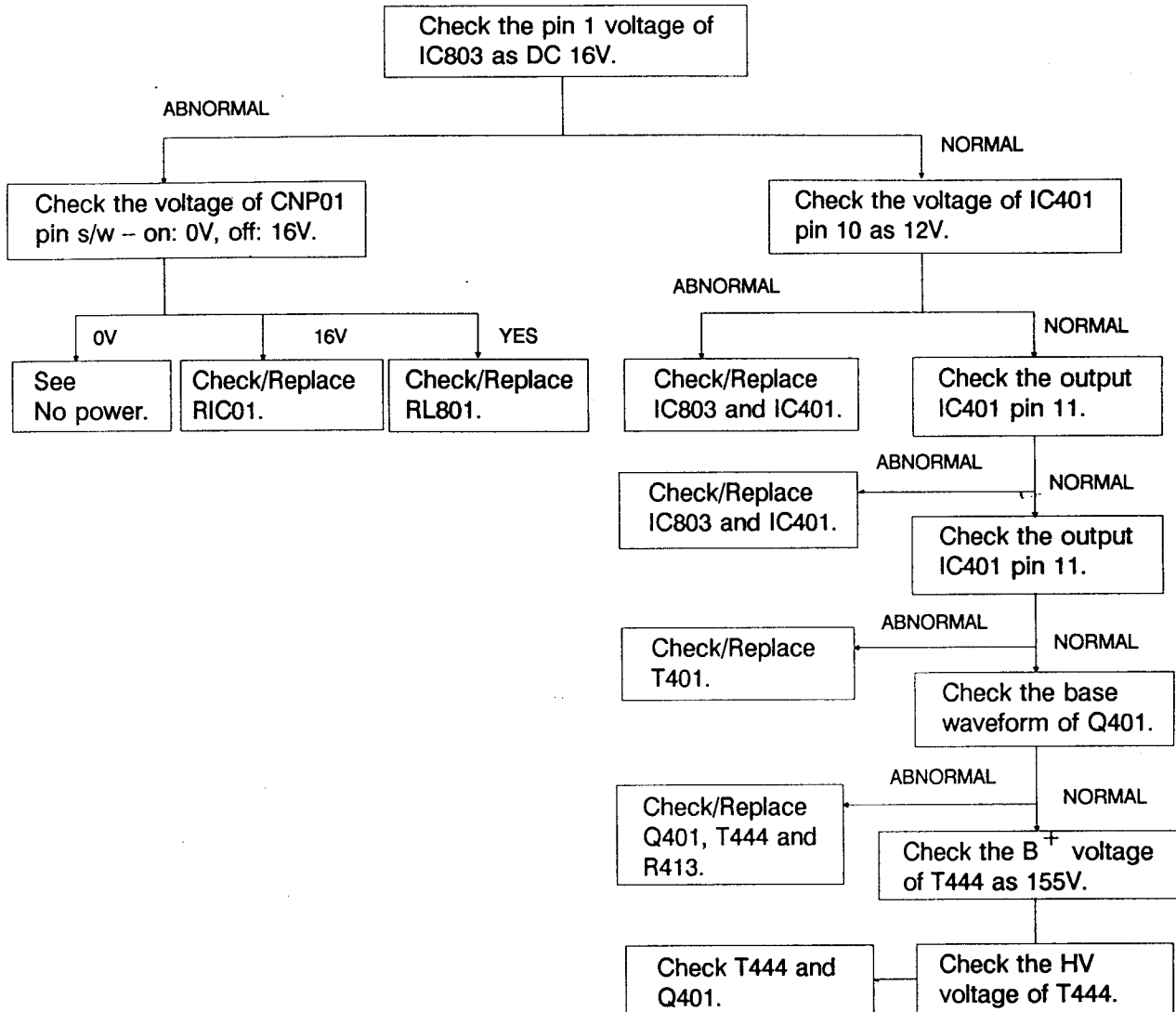
The following charts are devoted to the troubleshooting which, if followed carefully, will assist you in tracking down a fault to the correct stage.

In order to utilize the charts (fault trees), first establish the complains, e.g. - No Raster and No Sound, etc. Locate the chart applicable and them, progress through the various alternatives until a final block indicates the defective components or stages.

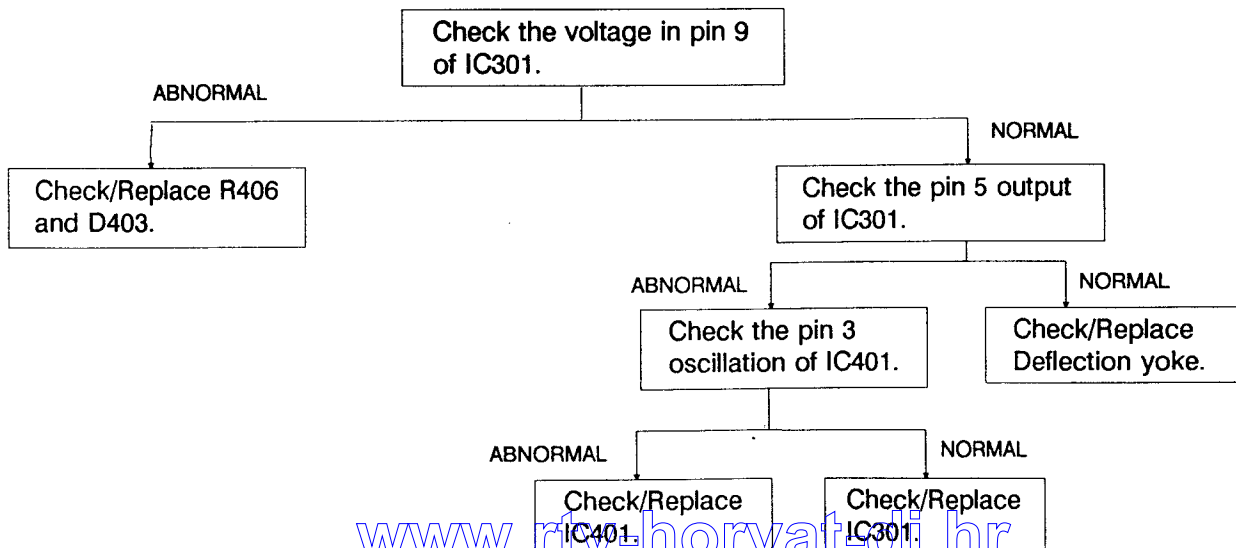
1. NO POWER



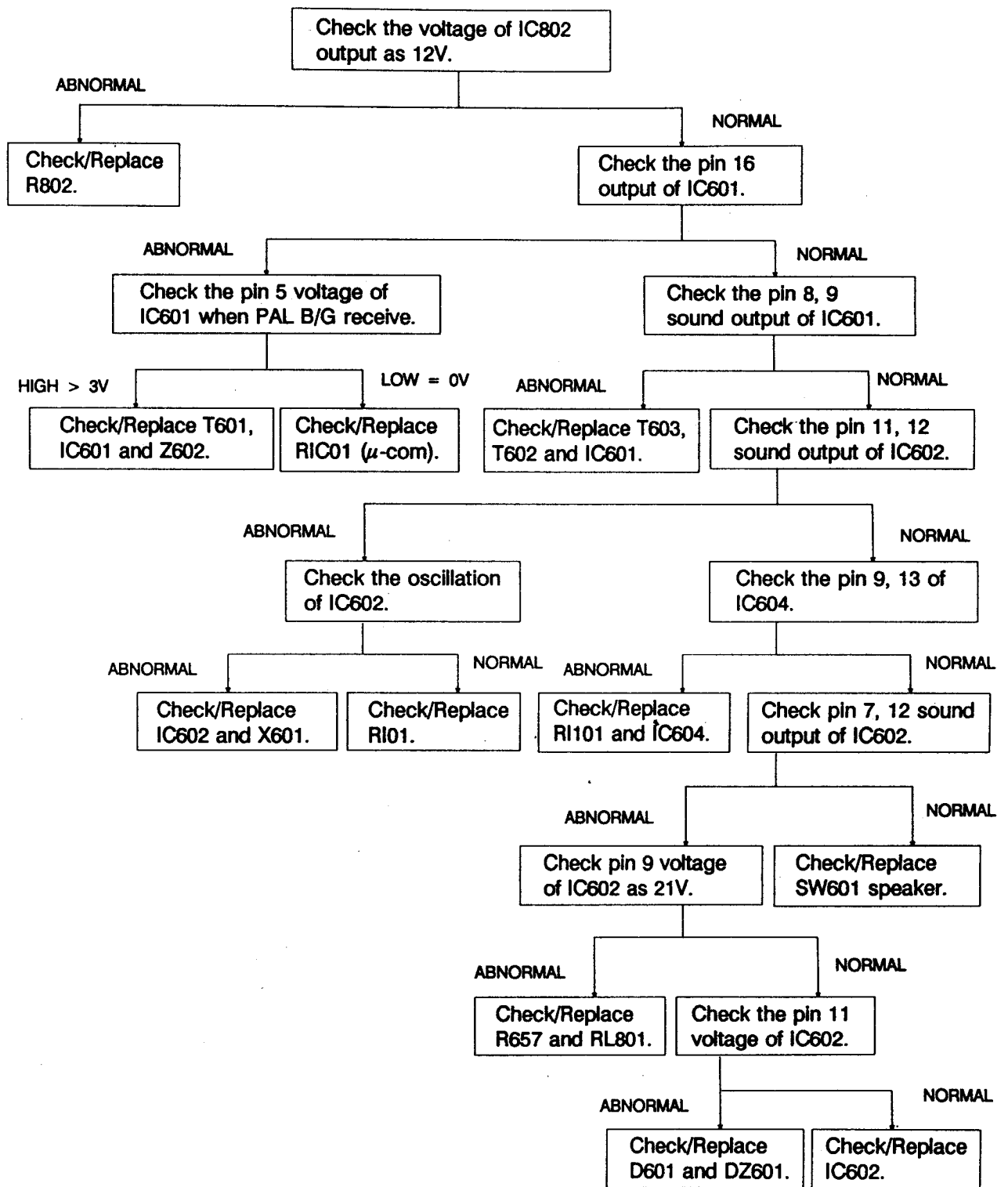
2. NO RASTER AND NO SOUND



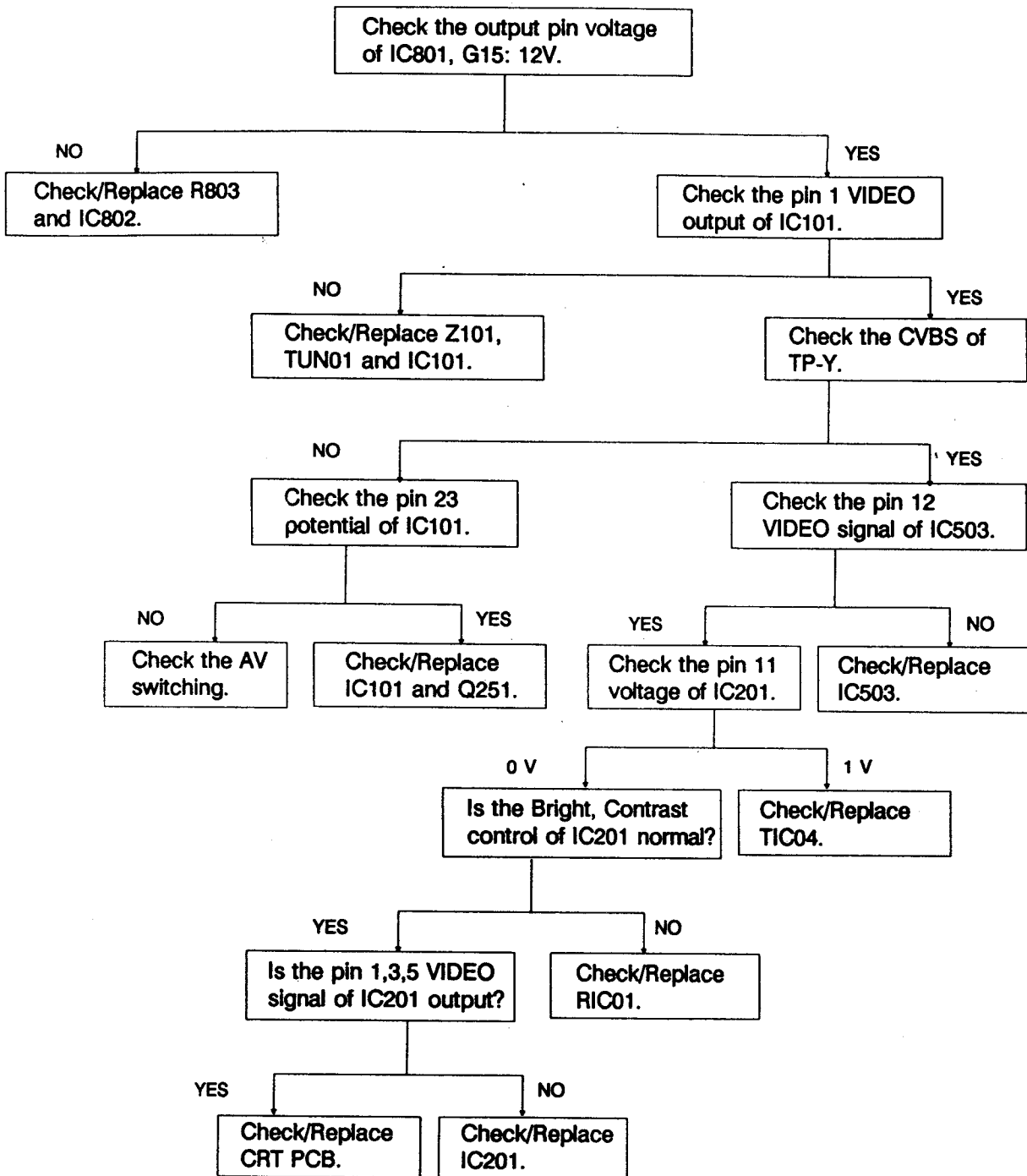
3. NO VERTICAL SCAN (ONE HORIZ. LINE RASTERY)



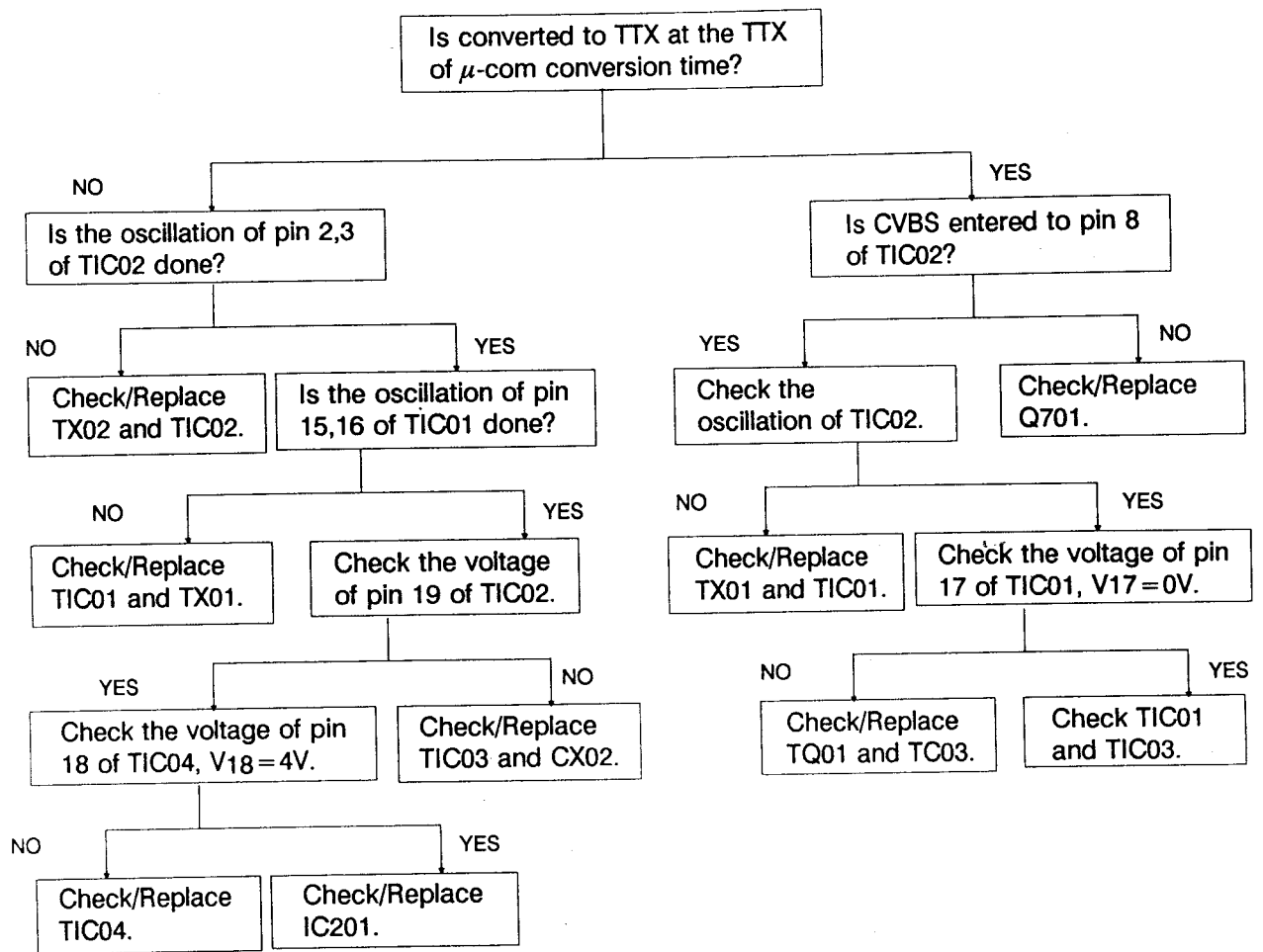
4. NO SOUND (PICTURE ON)



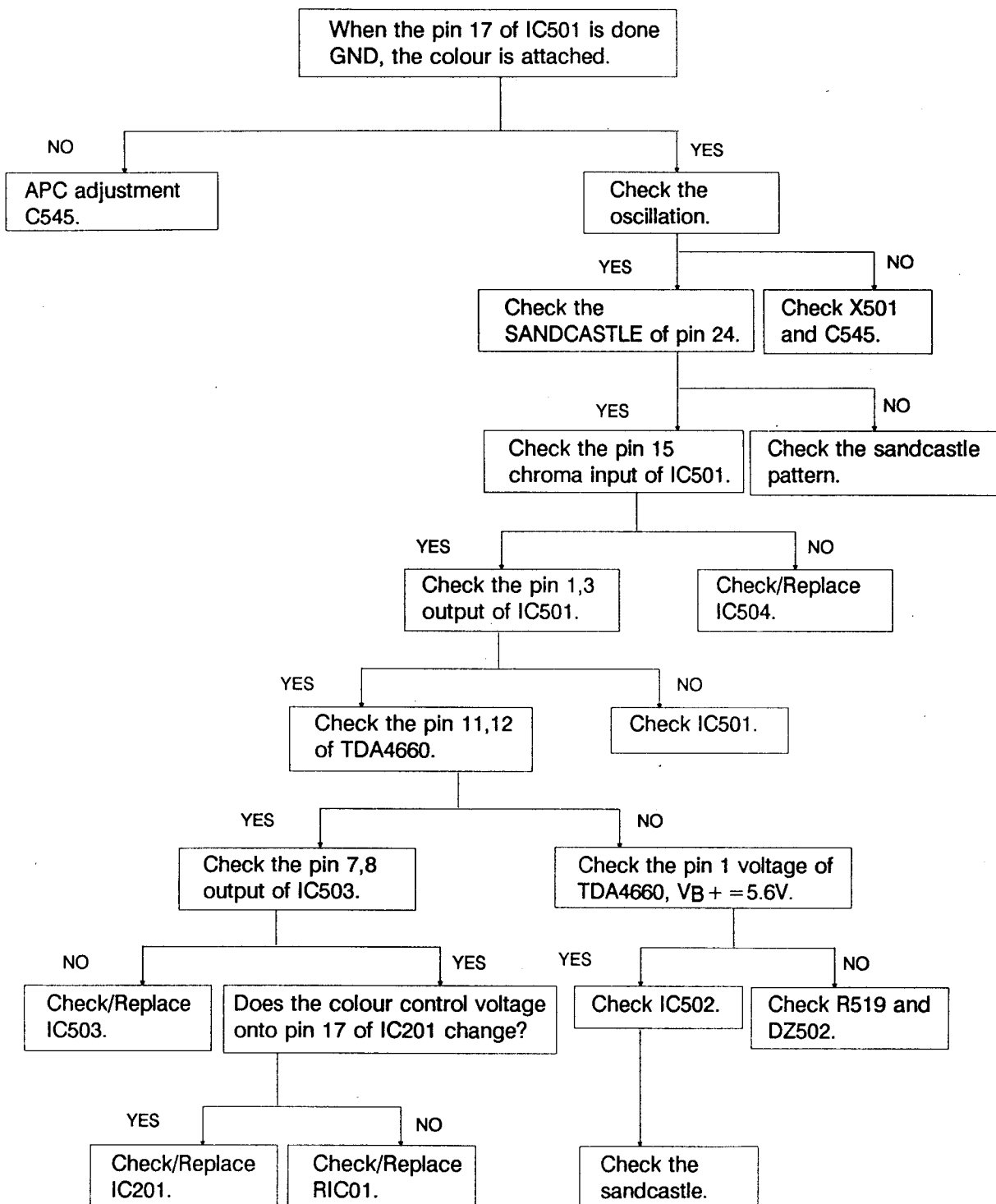
5. NO PICTURE (NO SOUND)



6. NO TTX (THE TV OPERATING IS O.K)



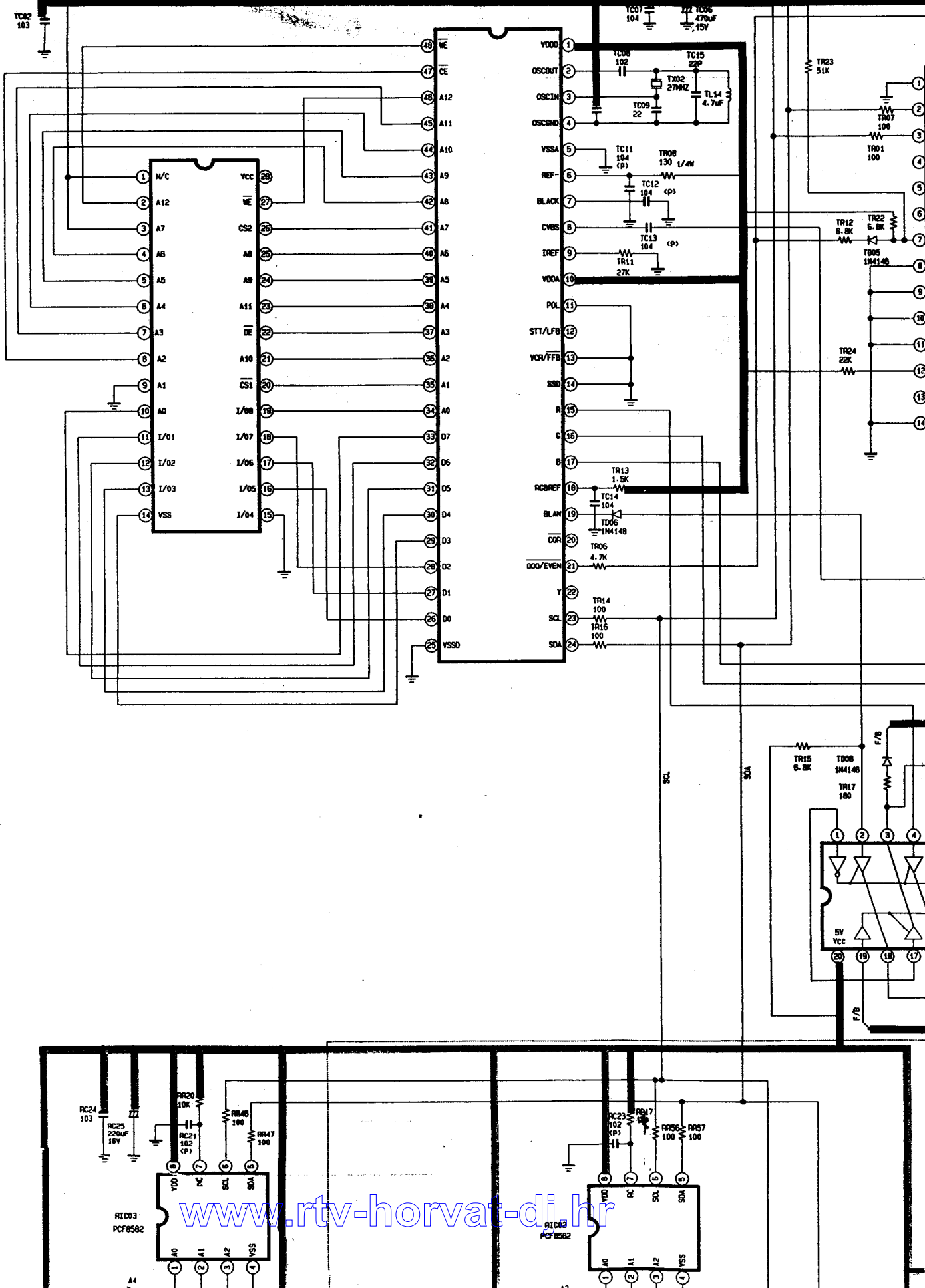
7. NO COLOR

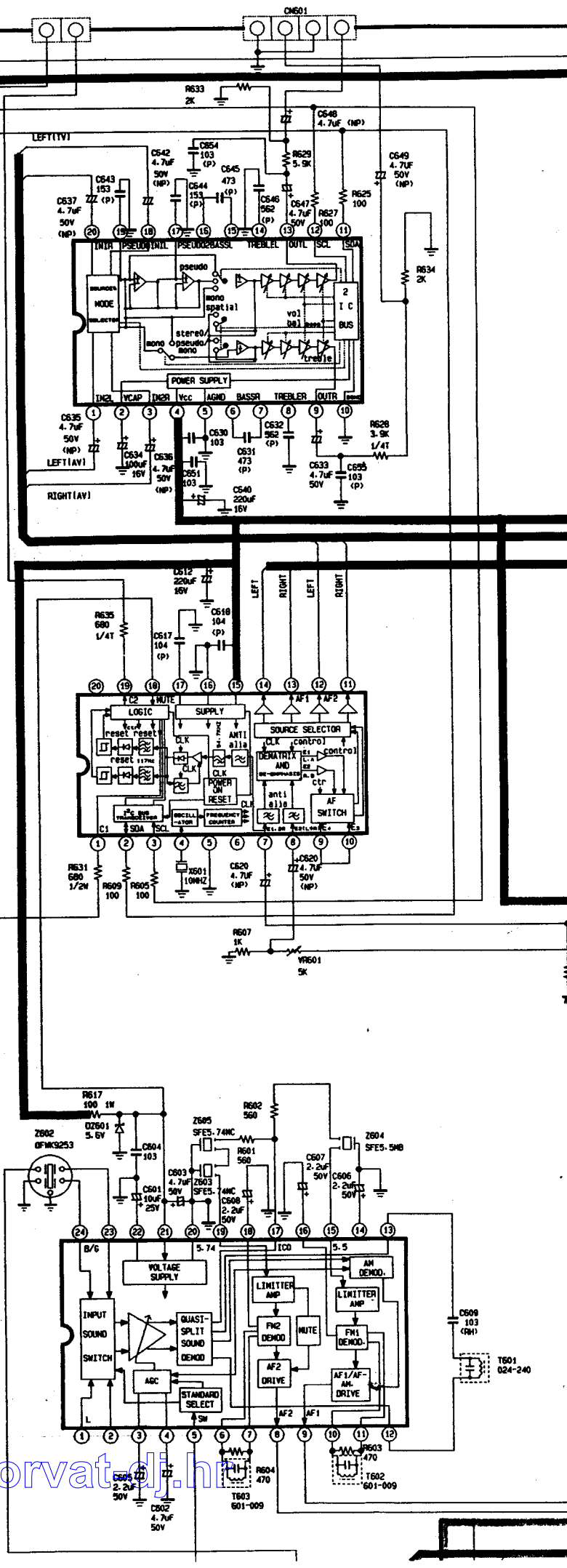
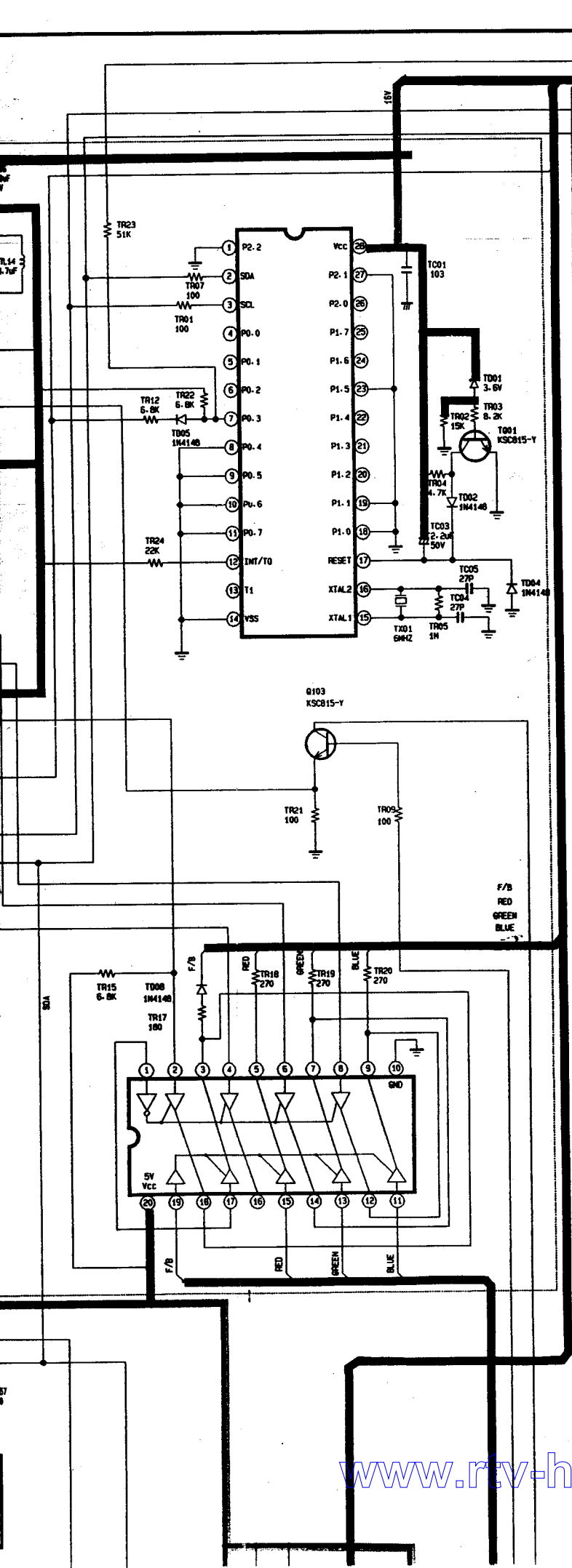


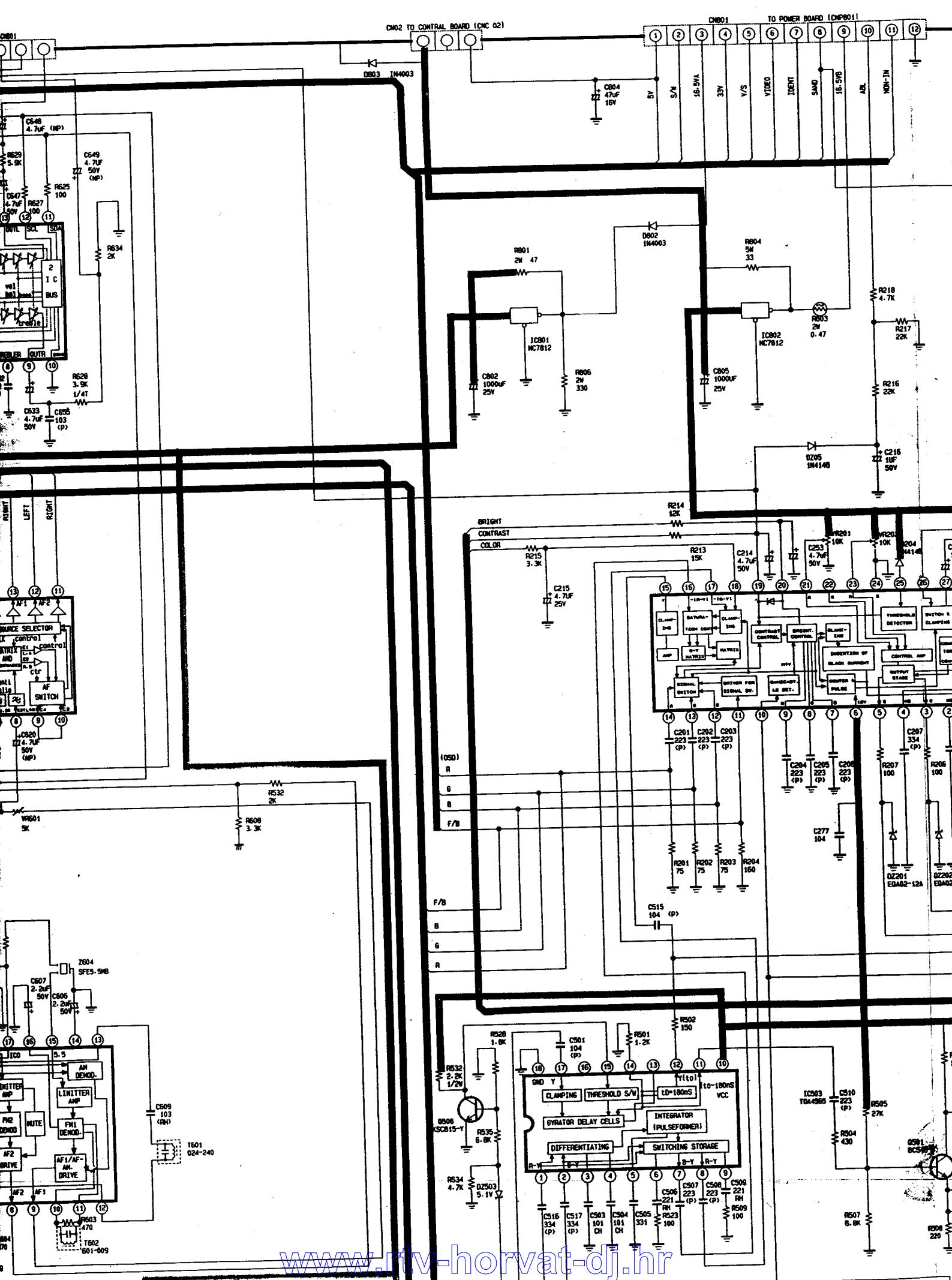
SCHEMATIC DIAGRAM

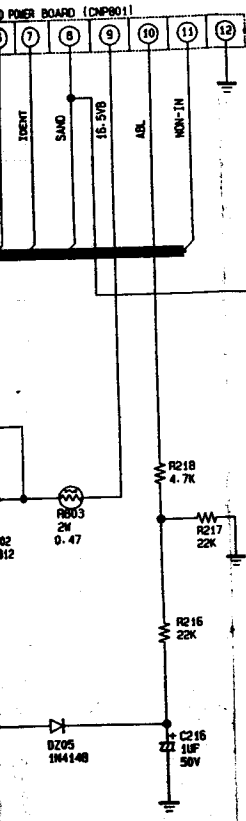
CHASSIS:S60MT

MODEL: CX6226W









RTV servis Horvat

Kešinci, 31402 Semeljci

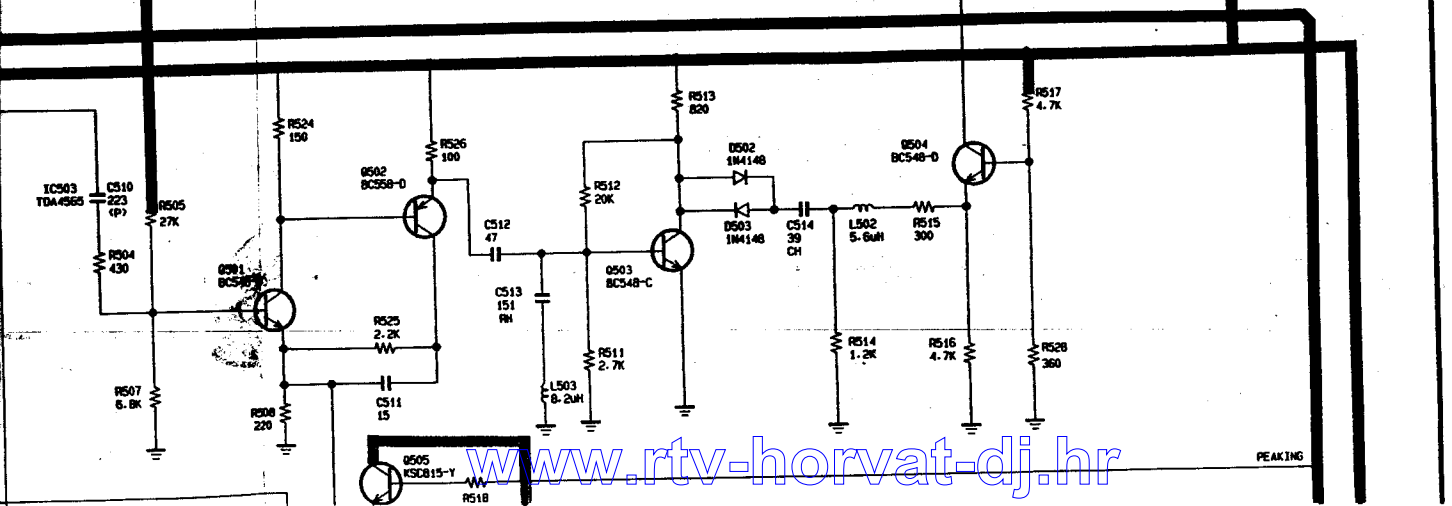
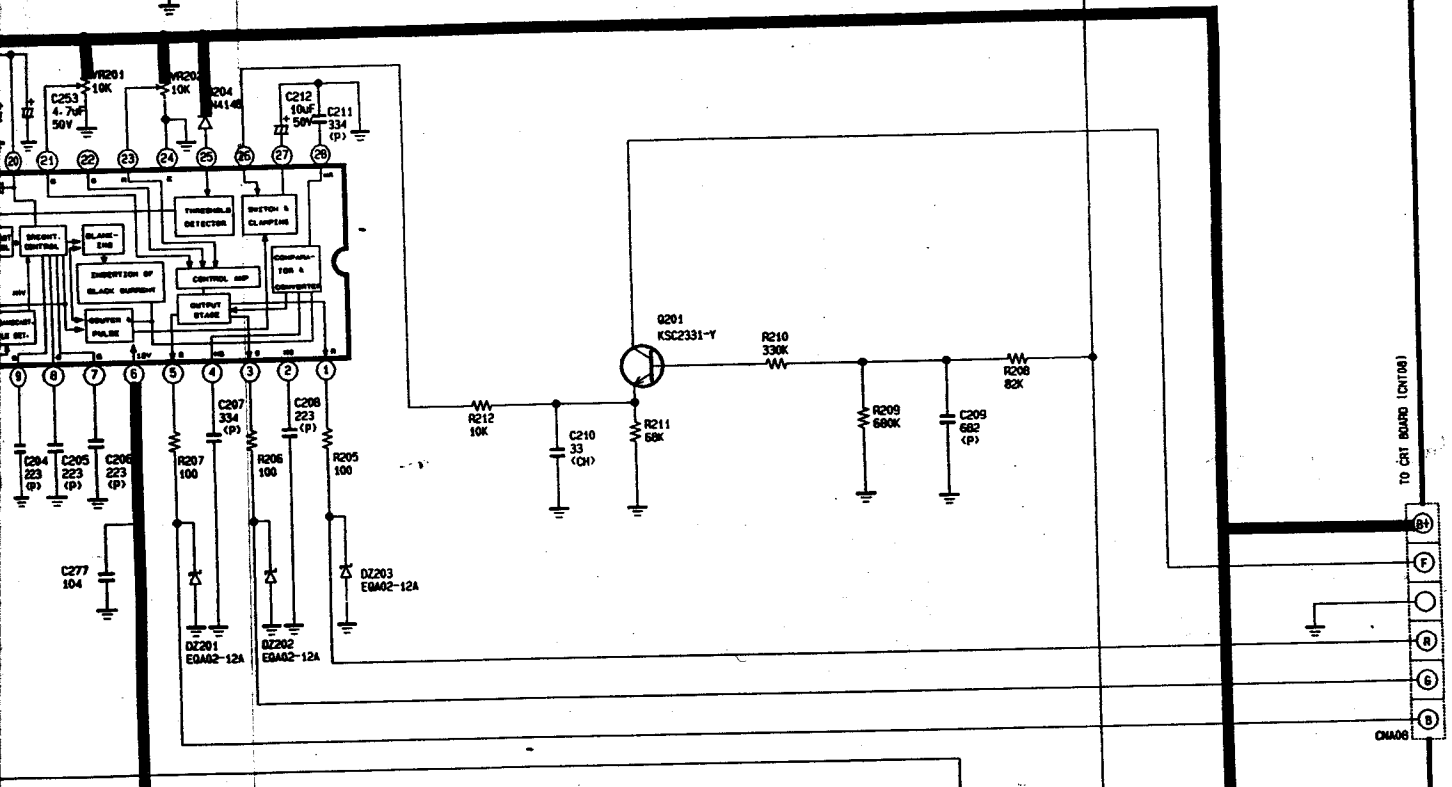
031-856-139

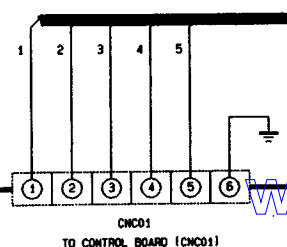
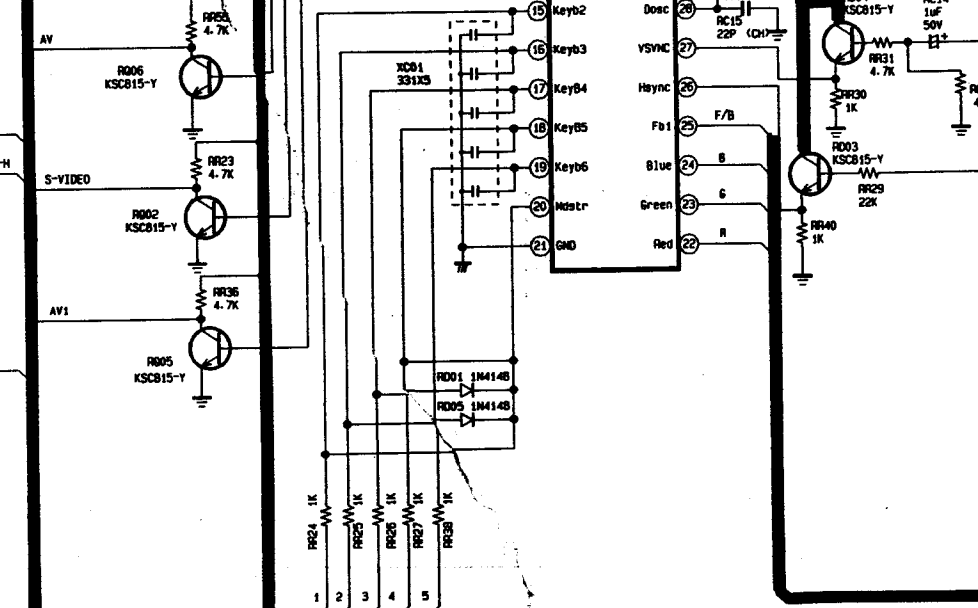
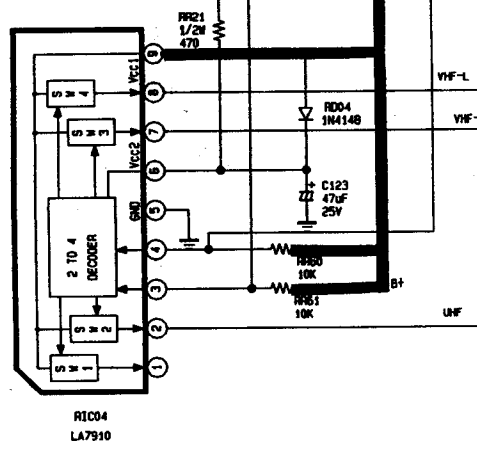
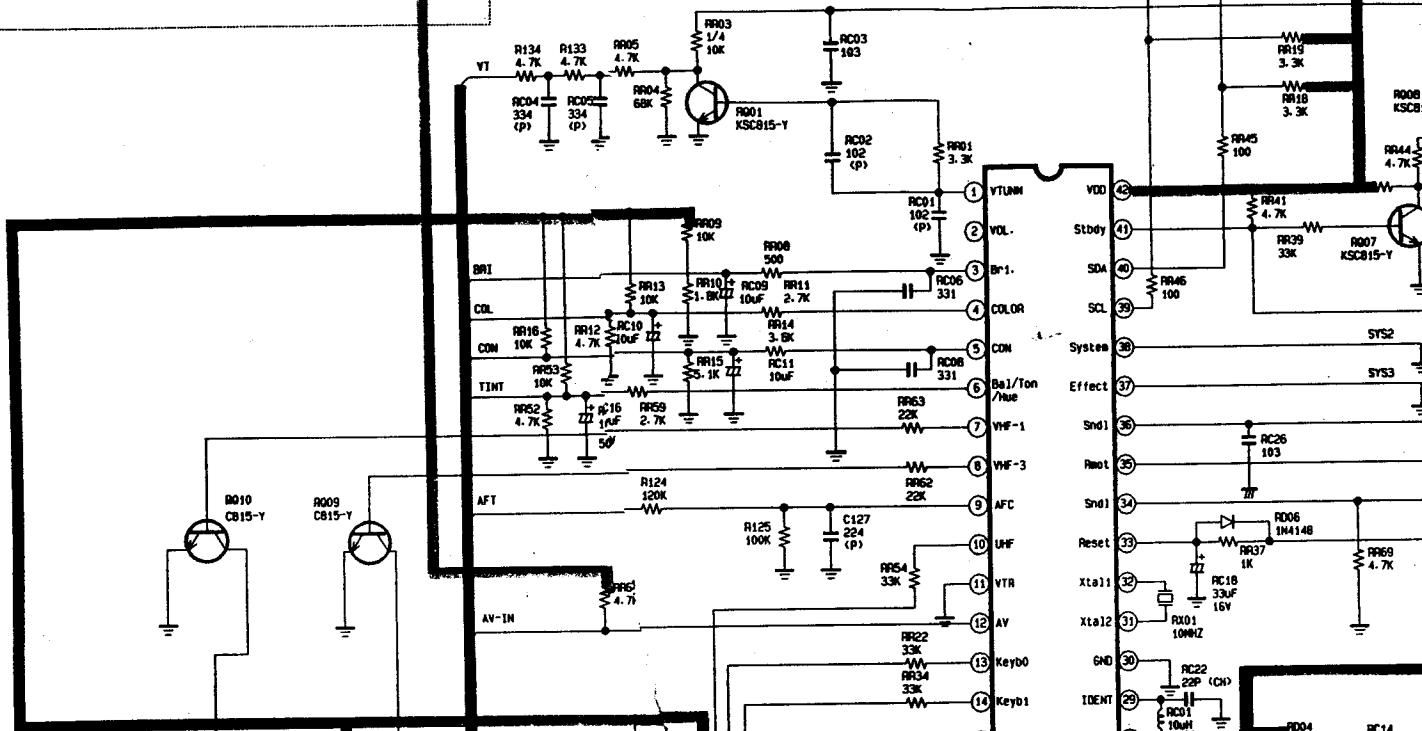
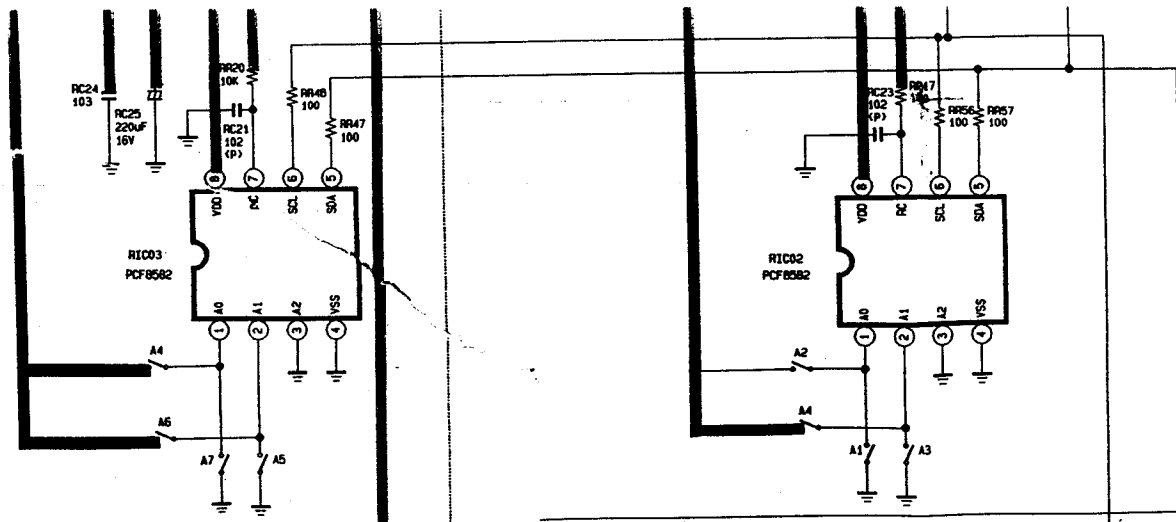
031-856-637

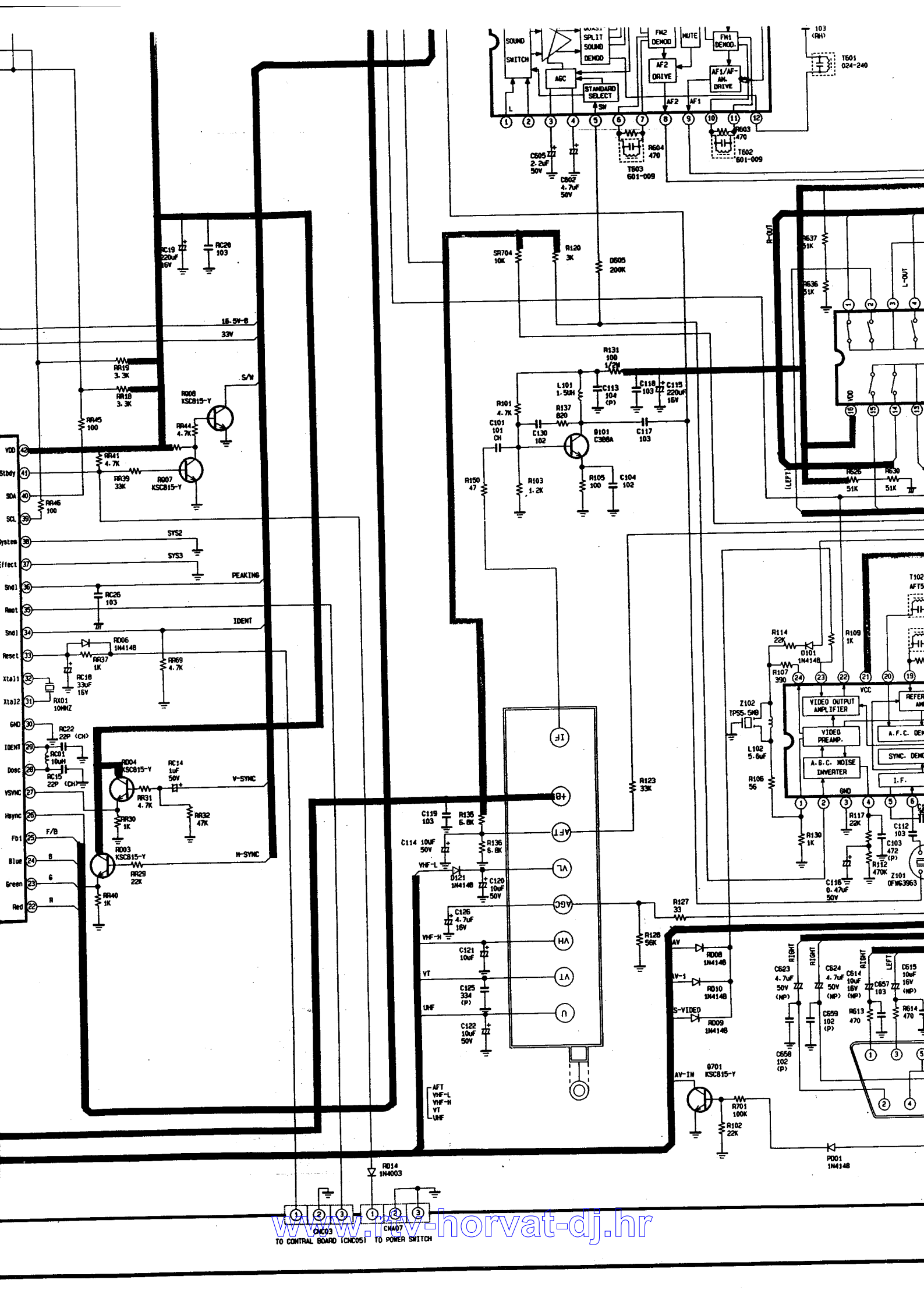
098-788-319

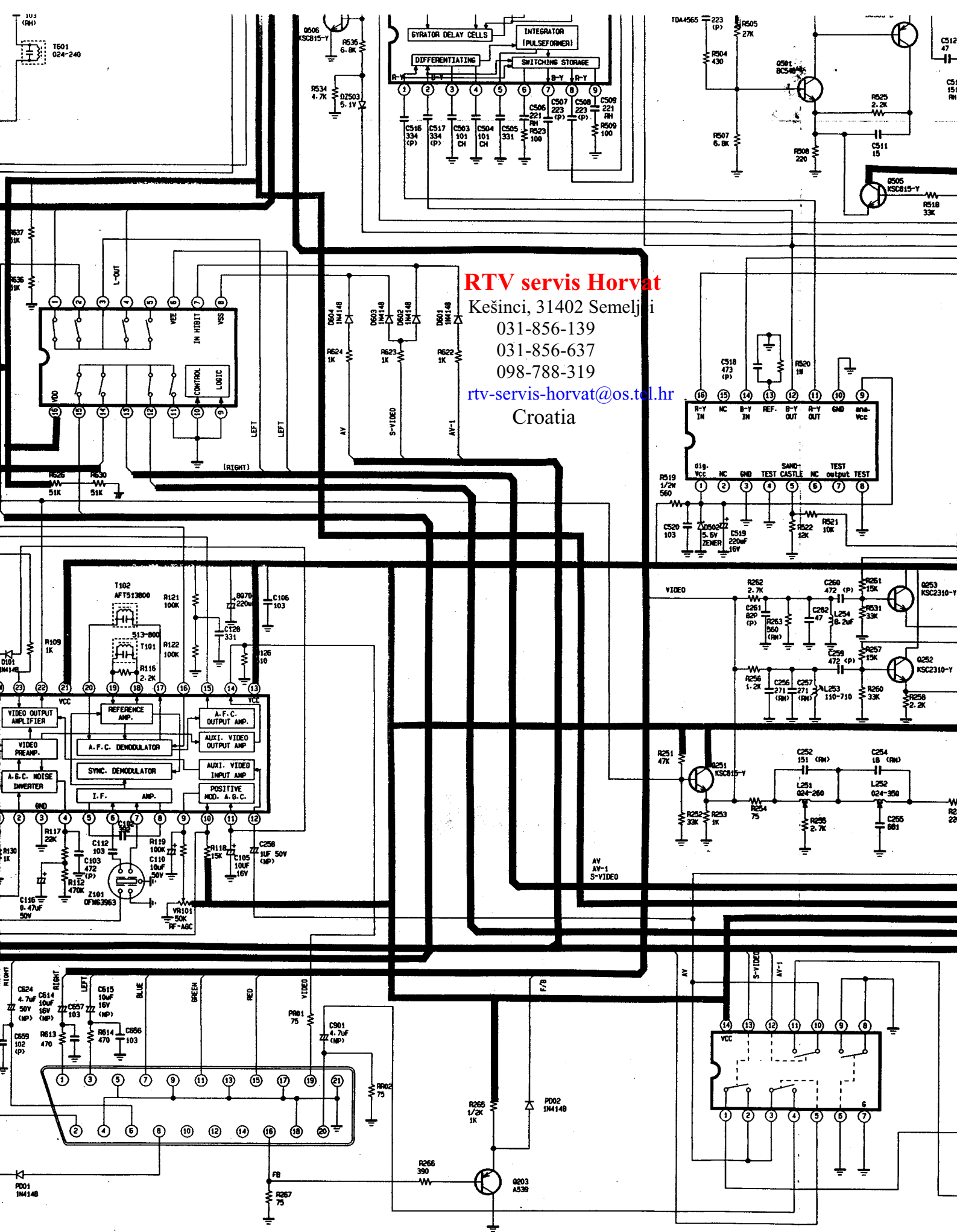
rtv-servis-horvat@os.tel.hr

Croatia







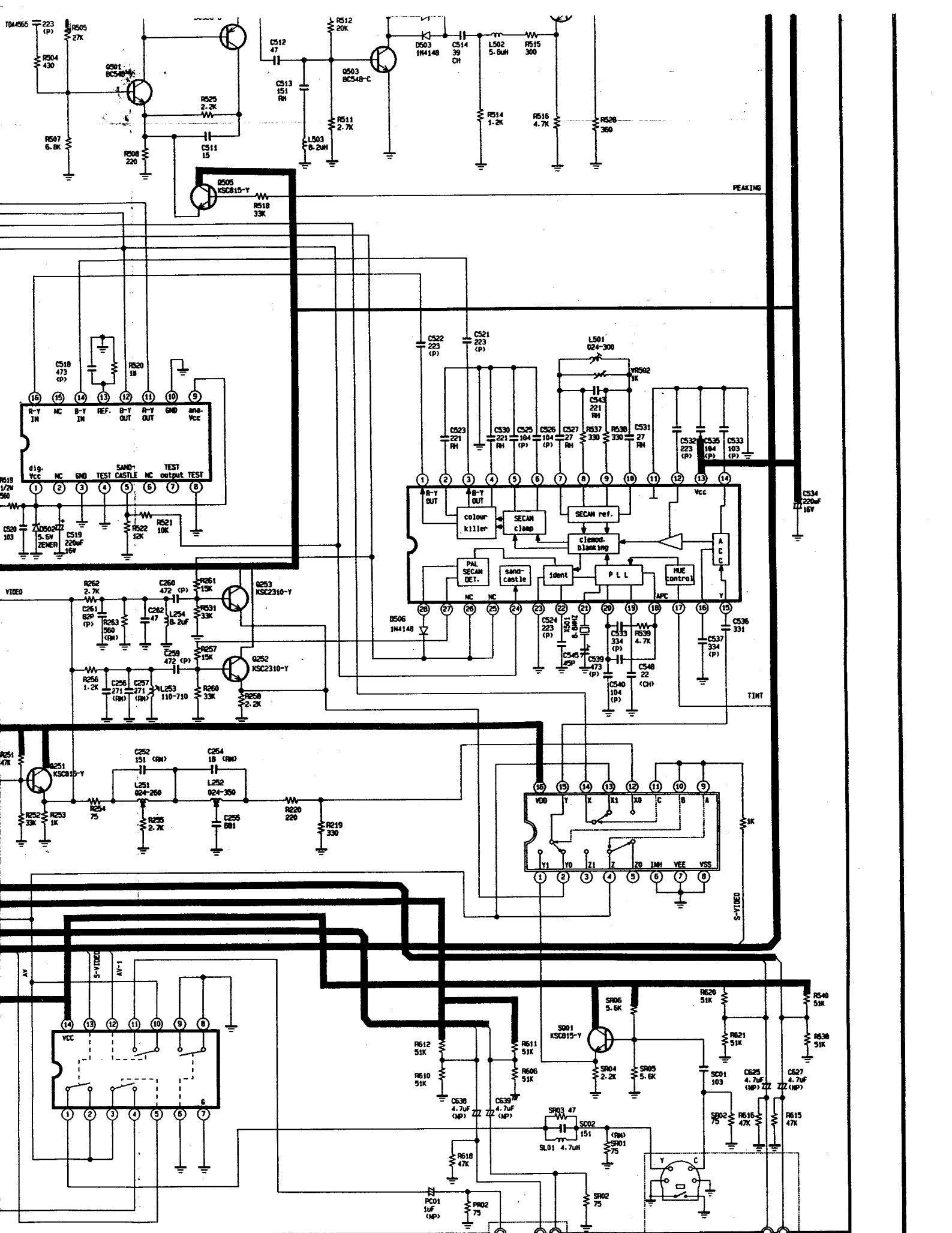


RTV servis Horvat

Kešinci, 31402 Semeljci
 031-856-139
 031-856-637
 098-788-319
rtv-servis-horvat@os.tel.hr
 Croatia

FILE NAME : CK5913Z/M

JOB-NO	TEAM	NODE	DR
91-	P. D1	P2S	K



FILE NAME : CK5913Z/MAIN

JOB-NO	TEAM	NODE	DESIGN	DPE	EDIT
91-	P. D1	P2S	K. P. C.		

VIDEO INPUT

www.ty-horvat-dj.hr

SJ01 S-VIDEO INPUT

R L AUDIO R-L