

Service Manual



Colour LCD Television

TX-32LX60F
TX-32LX60P
TX-26LX60F
TX-26LX60P

GLP21 Chassis

Specifications

(Informations in brackets [] refers to models 26'')

Power Source:	220-240V AC, 50Hz			
Power Consumption:	143W [90W]			
Stand-by Power Consumption:	1W [1W]			
Aerial Impedance:	75Ω unbalanced, Coaxial Type			
Receiving System:	PAL-I, B/G, D/K, SECAM B/G, D/K, L/L' PAL-525/60 (AV only) M.NTSC (AV only) NTSC (AV only)			
Receiving Channels:				
VHF E2-E12	VHF H1-H2 (ITALY)			
VHF A-H (ITALY)	VHF R1-R2			
VHF R3-R5	VHF R6-R12			
UHF E21-E69	CATV (S01-S05)			
CATV S1-S10 (M1-M10)	CATV S11-S20 (U1-U10)			
CATV S21-S41 (Hyperband)				
Operating Conditions:				
Temperature:	5°C ÷ 35°C			
Humidity:	5% ÷ 90% RH (non-condensing)			
Intermediate Frequency:				
Video/Audio				
Video	38,9MHz, 33,9MHz			
Audio	33,4MHz (B/G), 33,16MHz (A2) 33,05MHz (NICAM B/G, D/K, L) 32,4MHz (D/K), 32,66MHz (CZ STEREO) 40,4MHz (L'), 39,75MHz (L'NICAM), 34,47MHz (PAL) 34,5MHz, 34,65MHz (SECAM) 38,3MHz, 38,15MHz (SECAM L')			
Colour				
Terminals:				
AV1 IN	Video (21 pin) Audio (21 pin) RGB (21 pin)	1V p-p 75Ω 500mV rms 10kΩ 0,7V p-p 75Ω		
AV1 OUT	Video (21 pin) Audio (21 pin)	1V p-p 75Ω 500mV rms 1kΩ		
AV2 IN	Video (21 pin) Audio (21 pin) RGB (21 pin) S-video IN (21-pin)	1V p-p 75Ω 500mV rms 10kΩ 0,7V p-p 75Ω Y: 1V p-p 75Ω C:0,3V p-p 75Ω		
AV2 OUT	Video (21 pin) Audio (21 pin)	1V p-p 75Ω 500mV rms 1kΩ		
AV3 IN	S-Video IN (4-pin) Audio (RCAx2) Video (RCAx1)	Y: 1V p-p 75Ω C:0,3V p-p 75Ω 500mV rms 10kΩ 1V p-p 75Ω		
HDMI1, HDMI2	Type A Connector			
COMPONENT YUV	Video (RCAx3)	Y:1V p-p 75Ω Pb, Pr: 0,7V p-p 75Ω		
AUDIO IN	Audio (RCAx2)	500mV rms 10kΩ		
LCD screen:	L5EDD8Q00019 [L5EDD6Q00013] 1366 x 768 XGA, 16:9 Visible Diagonal 800mm [660mm]			
Audio Output:	2x10W RMS 8Ω impedance			
Headphones:	3,5mm, 8Ω Impedance			
Accessories supplied :	Remote Control 2 x R6 (UM3) Batteries			
Dimensions:				
Including TV stand	Height: 615mm [525mm] Width: 791mm [657mm] Depth: 301mm [301mm]			
TV set only	563mm [473mm] 791mm [657mm] 107mm [107mm]			
Net weight:	19kg [14,5kg]			

Specifications are subject to change without notice.
Weights and dimensions shown are approximate.

CONTENTS

SAFETY PRECAUTIONS	3	A-BOARD - YUV.....	32
GENERAL QUIDE LINES.....	3	A-BOARD - VIDEO SWITCH.....	33
TOUCH – CURRENT CHECK.....	3	A-BOARD - QLINK	33
PREVENTION OF ELECTROSTATIC DISCHARGE (ESD) TO ELECTROSTATICALLY SENSITIVE (ES) DEVICES	4	A-BOARD - HDMI_CEC	34
ABOUT LEAD FREE SOLDER (PBF).....	5	A-BOARD - LCD PANEL CONNECTOR, PANEL 5V SUPPLY	34
SUGGESTED PB FREE SOLDER.....	5	A-BOARD - TUNER CONNECTION.....	35
SERVICE HINTS	6	A-BOARD - AUDIO AMPLIFIER.....	36
CHASSIS BOARD LAYOUT	7	A-BOARD - AUDIO MATRIX	37
SETTING INSPECTION.....	7	A-BOARD - HDMI AUDIO DAC	38
SELF-CHECK	8	A-BOARD - HEADPHONE AMPLIFIER	39
ADJUSTMENT METHOD	9	A-BOARD - KEYSKAN	40
BLOCK DIAGRAMS.....	10	A-BOARD - SERVICE	40
PARTS LOCATION.....	13	A-BOARD - IR LED	41
REPLACEMENT PARTS LIST.....	14	A-BOARD - PROTECTION	41
SCHEMATIC DIAGRAMS.....	25	A-BOARD - LEVEL SHIFTER	42
A-BOARD - 3,3V SUPPLY	26	A-BOARD - IRD PROTECTION	42
A-BOARD - 3,3V HDMI SUPPLY	26	A-BOARD - EAROM.....	43
A-BOARD - 5V SUPPLY	27	A-BOARD - INVERTER.....	43
A-BOARD - 33V SUPPLY	27	A-BOARD - BACKLIGHT.....	44
A-BOARD - 12V SUPPLY	28	A-BOARD - VCT69P	45
A-BOARD - 8V SUPPLY	28	A-BOARD - HDMI.....	46
A-BOARD - STBY 3,3V SUPPLY	29	H-BOARD.....	47
A-BOARD - STBY 1,8V SUPPLY	29	B-BOARD.....	48
A-BOARD - PSU CONNECTION	30	V-BOARD.....	49
A-BOARD - AV1	31	K-BOARD.....	50
A-BOARD - AV2.....	31	P-BOARD.....	51
A-BOARD - AV3.....	32	KEY CONTROL.....	52
		CONDUCTOR VIEWS	53

Prevention of Electrostatic Discharge (ESD) to Electrostatically Sensitive (ES) Devices

Some semiconductor (solid state) devices can be damaged easily by static electricity. Such components commonly are called Electrostatically Sensitive (ES) Devices. Examples of typical ES devices are integrated circuits and some field-effect transistors and semiconductor "chip" components. The following techniques should be used to help reduce the incidence of component damage caused by electrostatic discharge (ESD).


1. Immediately before handling any semiconductor component or semiconductor-equipped assembly, drain off any ESD on your body by touching a known earth ground. Alternatively, obtain and wear a commercially available discharging ESD wrist strap, which should be removed for potential shock reasons prior to applying power to the unit under test.
2. After removing an electrical assembly equipped with ES devices, place the assembly on a conductive surface such as aluminum foil, to prevent electrostatic charge build up or exposure of the assembly.
3. Use only a grounded-tip soldering iron to solder or unsolder ES devices.
4. Use only an anti-static solder removal device. Some solder removal devices not classified as "anti-static (ESD protected)" can generate electrical charge sufficient to damage ES devices.
5. Do not use freon-propelled chemicals. These can generate electrical charges sufficient to damage ES devices.
6. Do not remove a replacement ES device from its protective package until immediately before you are ready to install it. (Most replacement ES devices are packaged with leads electrically shorted together by conductive foam, aluminum foil or comparable conductive material).
7. Immediately before removing the protective material from the leads of a replacement ES device, touch the protective material to the chassis or circuit assembly into which the device will be installed.

Caution

Be sure no power is applied to the chassis or circuit, and observe all other safety precautions.

8. Minimize bodily motions when handling unpackaged replacement ES devices. (Otherwise harmless motion such as the brushing together of your clothes fabric or the lifting of your foot from a carpeted floor can generate static electricity (ESD) sufficient to damage an ES device).

IMPORTANT SAFETY NOTICE

There are special components used in this equipment which are important for safety. These parts are marked by  in schematic diagrams, exploded views and replacement parts list. It is essential that these critical parts should be replaced with manufacturer's specified parts to prevent shock, fire, or other hazards. Do not modify the original design without permission of manufacturer.

About lead free solder (PbF)

Note: Lead is listed as (Pb) in the periodic table of elements.


In the information below, Pb will refer to Lead solder, and PbF will refer to Lead Free Solder.

The Lead Free Solder used in our manufacturing process and discussed below is (Sn+Ag+Cu).

That is Tin (Sn), Silver (Ag) and Copper (Cu) although other types are available.

This model uses Pb Free solder in it's manufacture due to environmental conservation issues. For service and repair work, we'd suggest the use of Pb free solder as well, although Pb solder may be used.

PCBs manufactured using lead free solder will have the PbF within a leaf Symbol

 stamped on the back of PCB.

Caution

- Pb free solder has a higher melting point than standard solder. Typically the melting point is 50 ~ 70 °F (30~40°C) higher. Please use a high temperature soldering iron and set it to 700 ± 20 °F (370 ± 10 °C).
- Pb free solder will tend to splash when heated too high (about 1100 °F or 600 °C).
If you must use Pb solder, please completely remove all of the Pb free solder on the pins or solder area before applying Pb solder. If this is not practical, be sure to heat the Pb free solder until it melts, before applying Pb solder.
- After applying PbF solder to double layered boards, please check the component side for excess solder which may flow onto the opposite side. (see Fig.3)

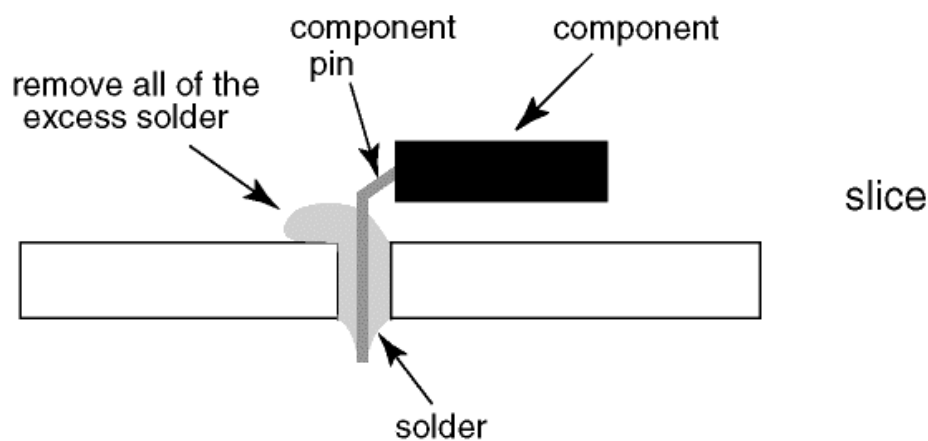


Fig.3

Suggested Pb free solder

There are several kinds of Pb free solder available for purchase. This product uses Sn+Ag+Cu (tin, silver, copper) solder. However, Sn+Cu (tin, copper), Sn+Zn+Bi (tin, zinc, bismuth) solder can also be used. (see Fig.4)

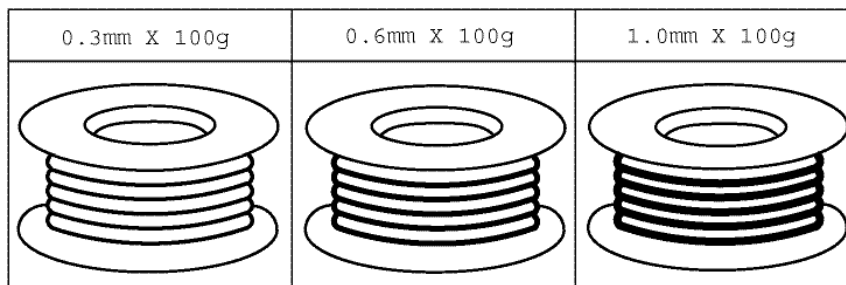


Fig.4

Service Hints

How to remove the Pedestal assembly

Lay the main unit face down. (see Fig.5)



Fig.5

Remove the 2 fixing screws and hinge cover. (see Fig.6)

Remove the 8 fixing screws and the pedestal assembly. (see Fig.7)



Fig.6

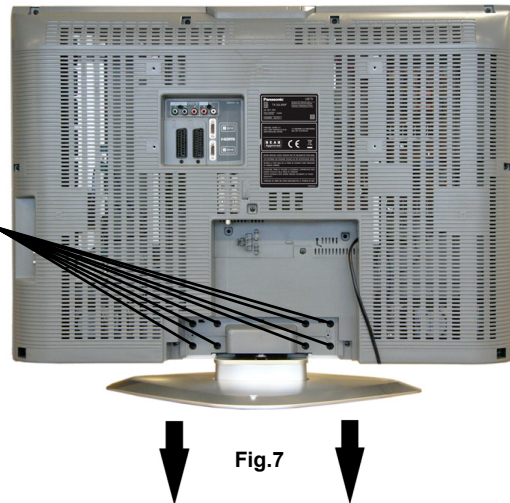


Fig.7

How to remove the backcover

Remove the 2 fixing screws and hinge cover. (see Fig.6)

Remove the 16 fixing screws. (see Fig.8)

Carefully remove the backcover and disconnect two AV3 wires. (see Fig.9)

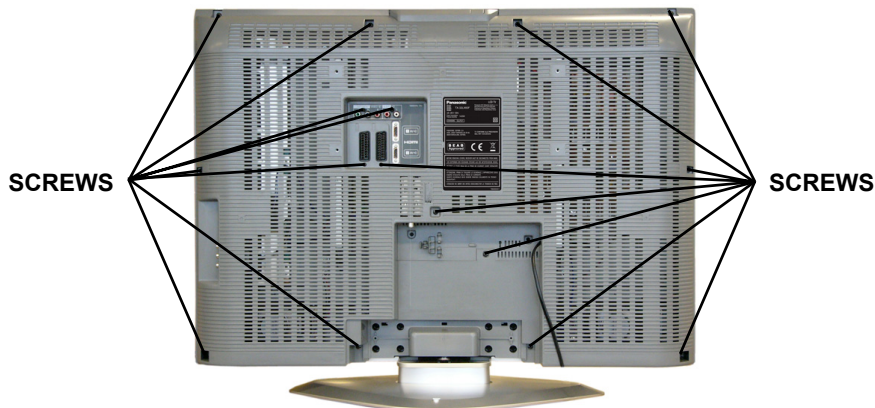


Fig.8

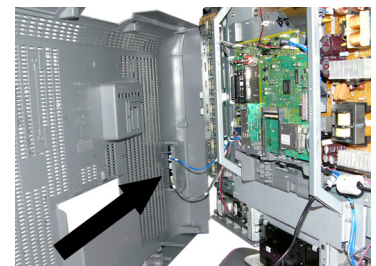
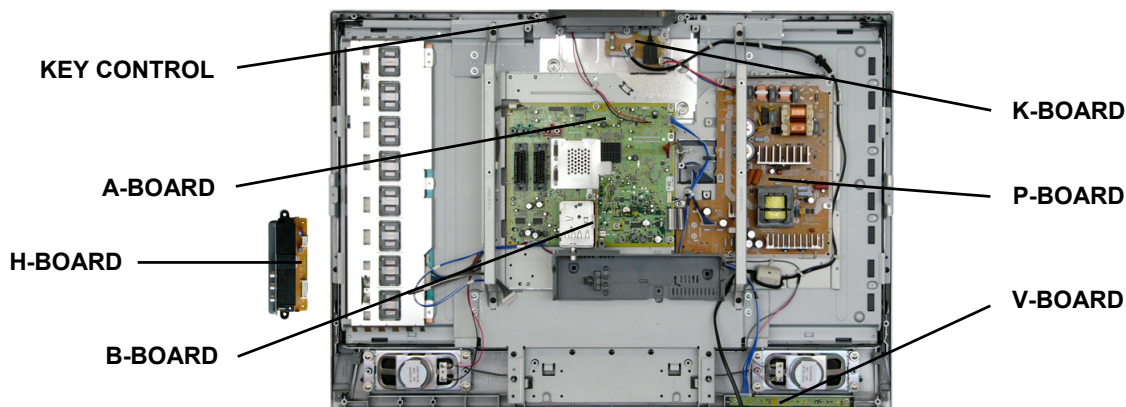


Fig.9

Chassis Board Layout

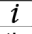


Board Name	Function
A-Board	Main Board
B-Board	Tuner
H-Board	AV3 Terminal
Key Control	Key Control
K-Board	Mains Input, Power Switch
P-Board	Power Supply
V-Board	Remote Receiver, LED IR, Bats

Setting Inspection Voltage Confirmation

Confirm the following voltages:		
A board		
Test point	Position	Normal mode Voltage
TP004	C870, + pin	33V ± 3V
TP005	Connector A7, pin 22	12V [15V]
TP006	C1500, + pin	8V ± 0,3V
TP008	C1700, + pin	5V ± 0,2V
TP010	C890 - R898	3,3V ± 0,1V
TP012	Q878, pin 1	3,3V ± 0,1V
TP017	C872, + pin	10,5V ÷ 16V
TP018	IC252, pin 5	24V
TP019	IC862, pin 1	24V
TP023	Connector A7, pin 12	24V
		Standby mode
TP009	C883, + pin	1,8V ± 0,1V
TP013	C868, + pin	3,3V ± 0,1V
P board		
		Normal mode
TP001	Connector P2, pin 20	12V ± 2V [15V± 2V]
TP002	Connector P2, pin 8	24V ± 2V
TP003	Connector P2, pin 9	24V ± 1V
		Standby mode
TP002	Connector P2, pin 8	24V
TP003	Connector P2, pin 9	<2V

Self Check

Self-check is used to automatically check the bus lines and hexadecimal code of the TV set. To enter Self-Check mode, keep pressing the **STATUS**  button on the remote control and press the down (**-v**) button on the TV set. To exit Self Check, switch off the TV set at the power button.

E2	O.K.
DPS	O.K.
VSP	O.K.
AVSW	O.K.
TUN	O.K.
MSP	O.K.
DPL	---
MAS	---

	TX-32LX60F	TX-32LX60P	TX-26LX60F	TX-26LX60P
OPTION 1	0F	0F	0F	0F
OPTION 2	00	00	00	00
OPTION 3	B9	B9	B9	B9
OPTION 4	11	11	11	11
OPTION 5	00	00	00	00
OPTION 6	15	15	15	15
OPTION 7	FD	FD	FD	FD
OPTION 8	D0	50	D0	50
OPTION 9	00	00	00	00
OPTION 10	00	00	00	00
OPTION 11	13	13	13	13
OPTION 12	20	20	40	40
OPTION 13	18	18	18	18
CHECK	06	86	26	A6

Display	Ref. No.	Description	P.C.B.
E2	IC1120	EAROM	A-Board
DPS	IC1501	DISPLAY PROCESSOR AND SCALER	A-Board
VSP	IC1501	VIDEOSIGNAL PROCESSOR	A-Board
AVSW	IC1501	AV SWITCH	A-Board
TUN	TNR001	TUNER	B-Board
MSP	IC1501	MULTISTANDART SOUND PROCESSOR	A-Board
DPL	---	DOLBY PROLOGIC PROCESSOR	---
MAS	---	MPEG1 AUDIO PROCESSOR	---

If the CCU ports have been checked and found to be incorrect or not located then " - - " will appear in place of "O.K.".

Adjustment Method

How to enter Service 1

- Set the Bass to maximum position, set the Treble to minimum position then keep pressing the **INDEX** button on the remote control and press the down button (-/v) on the TV set, this will place the TV set into the Service Mode 1.

Key Command

- Press the **RED / GREEN** buttons to step up / down through the functions.
- Press the **YELLOW / BLUE** buttons to alter the function values, to alter White Rasters use +/- buttons
- Press the **OK** button after each adjustment has been made to store the required values.
- To exit the Service Mode, press the "N" button.

Keep adjusting sequence: **DVCO, Sub-Contrast, other items.**

Item	Setting indication Note: All setting values are approximate	Settings / Special features										
Sub-Contrast	Sub-Contrast 23	Receive a 80% white level Philips Pattern with correct sound system (B/G, D/K) via aerial input. For Sub-Contrast alignment press " Blue " button, wait until the figure colour is changed from red to black colour. Press the OK .										
DVCO	DVCO 4	Receive a 80% white level Philips Pattern via aerial input. For DVCO alignment press " Blue " button, wait until the figure colour is changed from red to black colour. Press the OK .										
Highlight Lowlight	<table border="1"> <tr> <td>High</td> <td>12</td> <td>0415</td> <td>0410</td> <td>0425</td> </tr> <tr> <td>Low</td> <td>4</td> <td>0056</td> <td>0064</td> <td>0043</td> </tr> </table>	High	12	0415	0410	0425	Low	4	0056	0064	0043	For correct setting see White Balance Adjustment
High	12	0415	0410	0425								
Low	4	0056	0064	0043								
Sub-Brightness	Sub-Brightness 0	Optimum setting.										

White Balance Adjustment

Instrument

- Remote Control
- LCD WB meter (Minolta CA-210 or equivalent)

Condition

- Switch on the TV Set. Enter Service1. Step down to Highlight line and keep the aging time more than 20 minutes.

Procedure

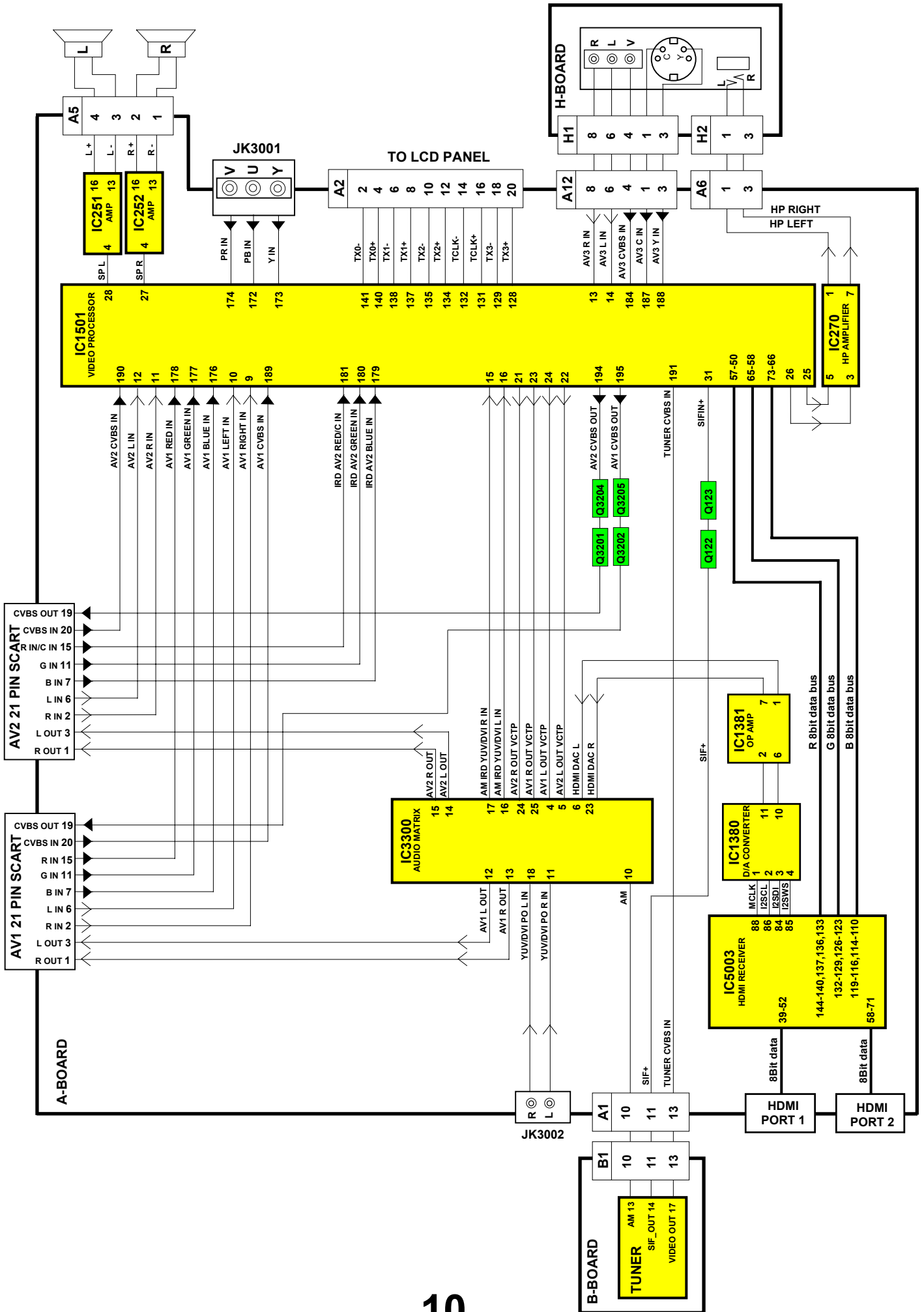
- After aging time above set White Raster No.12 for Highlight and No.4 for Lowlight

High	12
Low	4

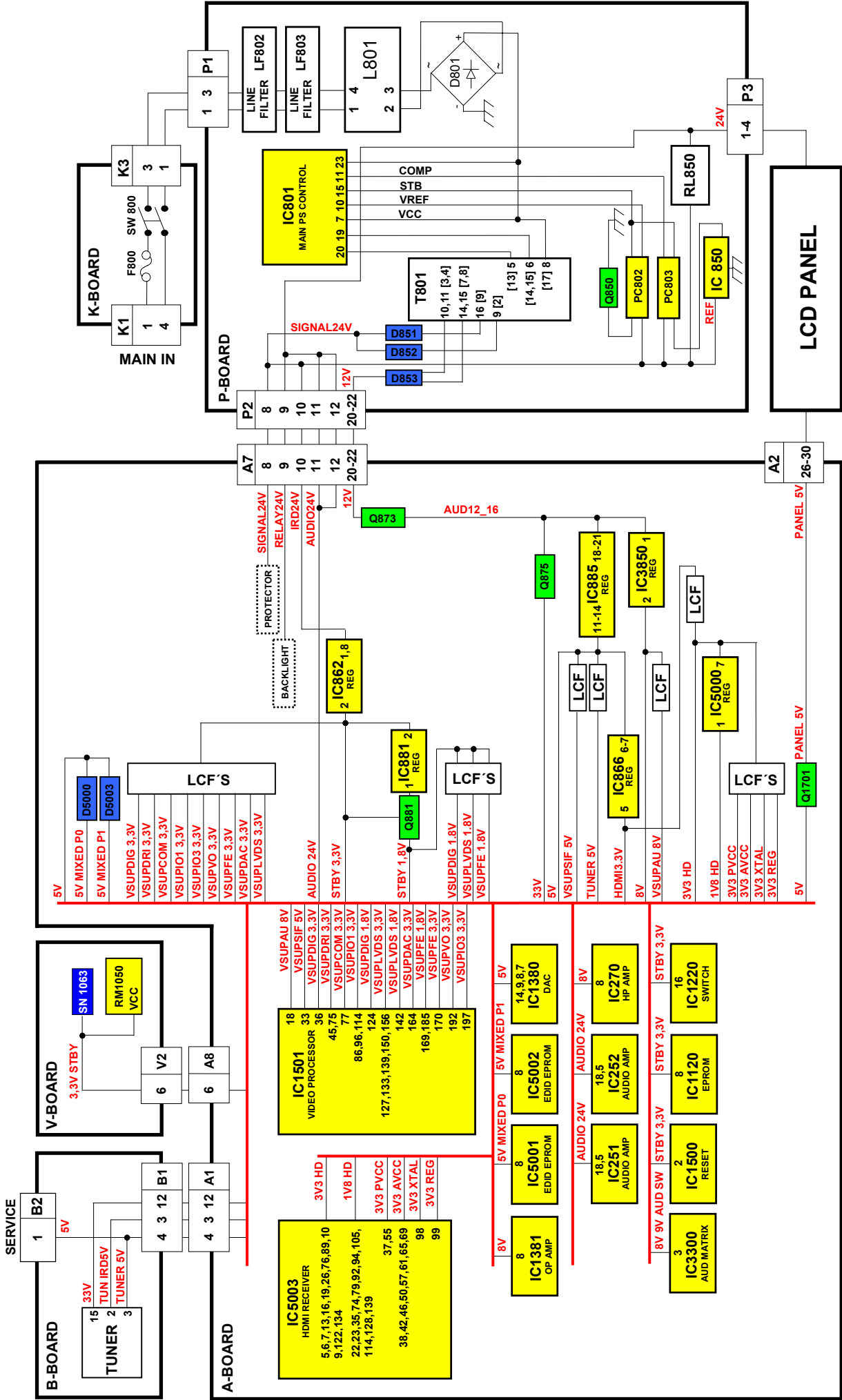
 Press the **OK** button to store.
- Put Minolta Sensor to the center of the LCD Panel with 25mm gap between Minolta Sensor and LCD Panel. Adjust "x" and "y" values by changing Red and Blue values.
- Press **OK** button to store setting.

Item	Value	
Highlight	x	0,275±0,005
	y	0,275±0,005
Lowlight	x	0,275±0,005
	y	0,285±0,005

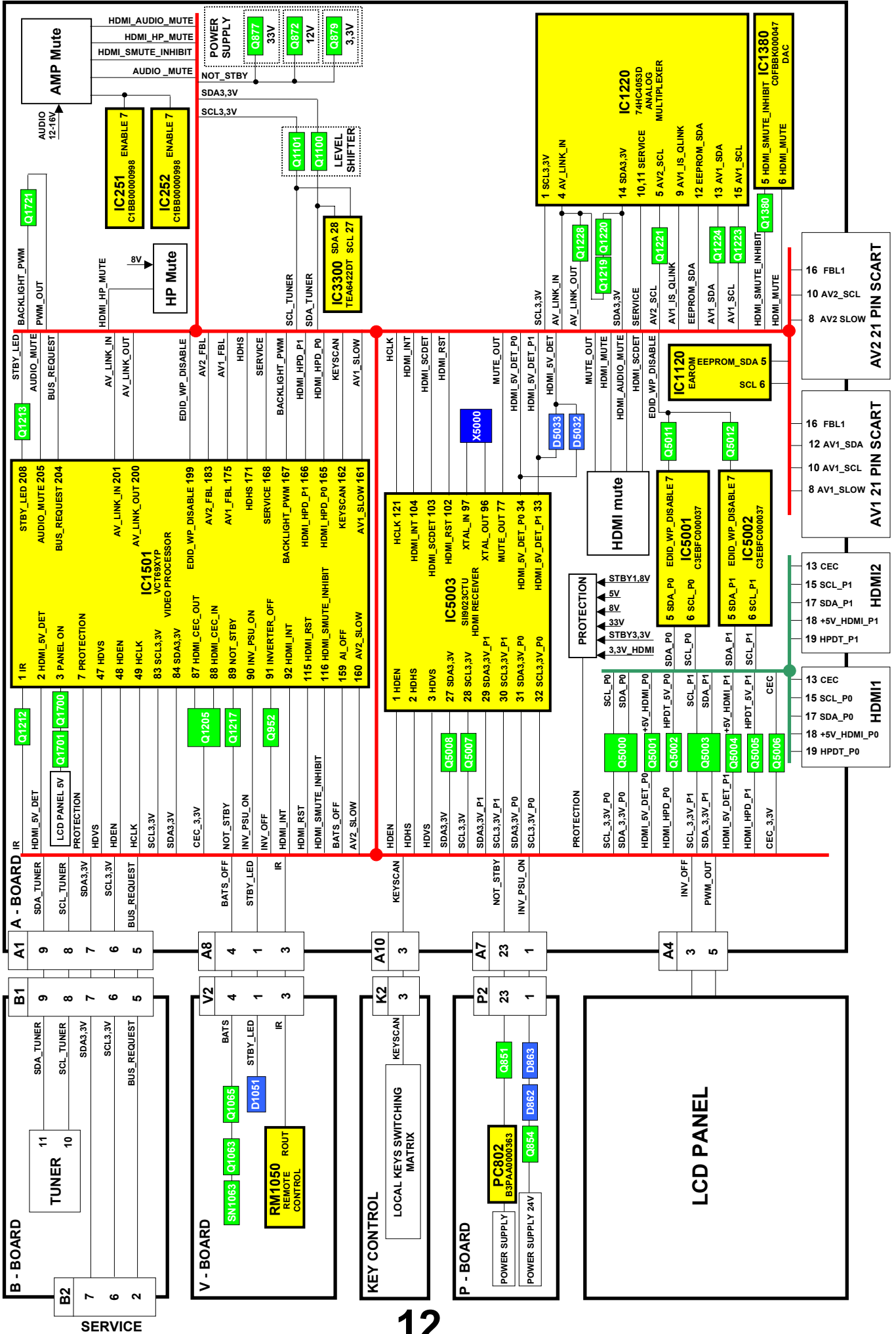
VIDEO & STEREO AUDIO BLOCK DIAGRAM



POWER SUPPLY BLOCK DIAGRAM

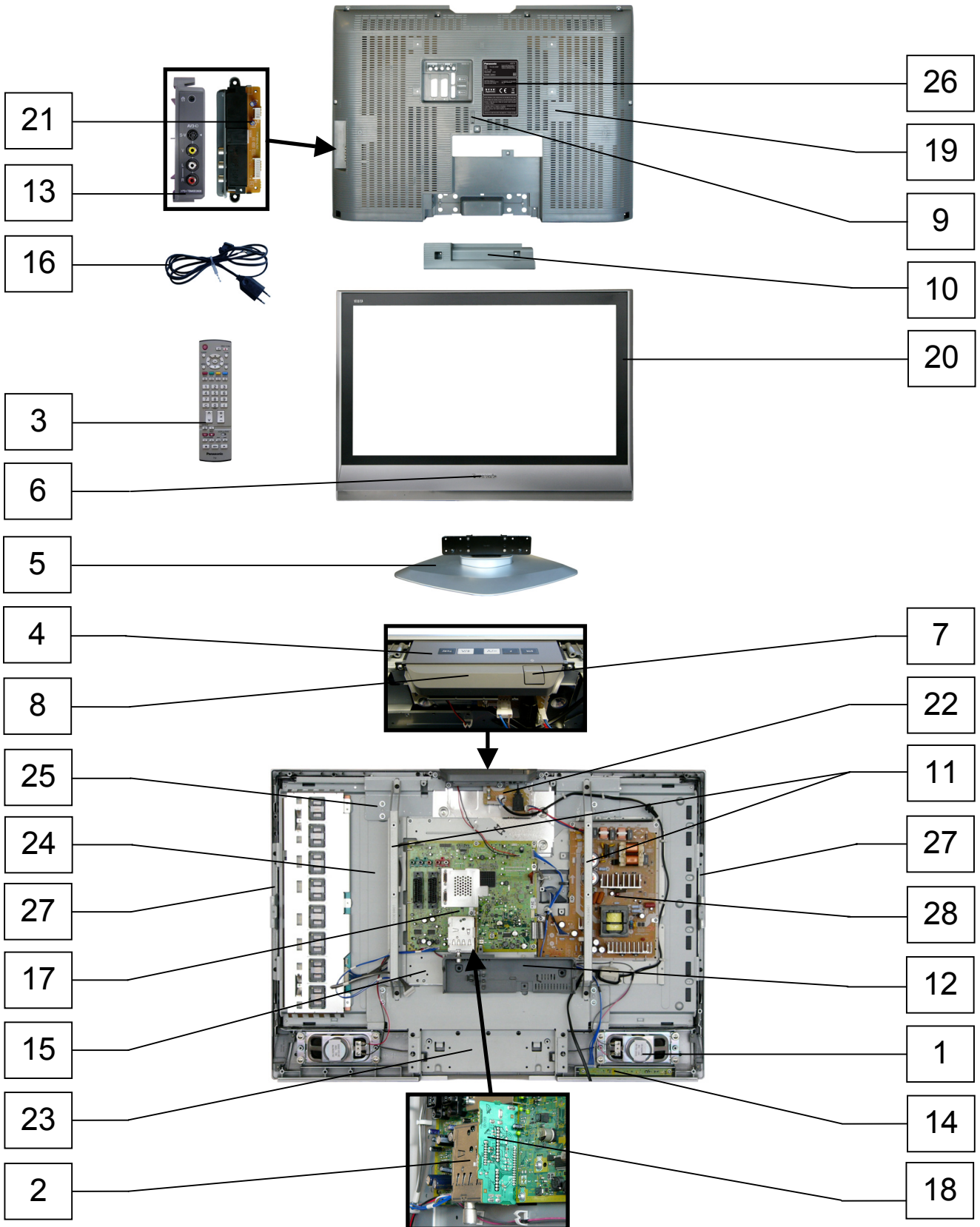


CONTROL BLOCK DIAGRAM




Parts Location



NOTE:
The numbers on the exploded view below refer to the exploded view section of the Replacement Parts List.







REPLACEMENT PARTS LIST

Important Safety Notice

Components Identified by  mark have special characteristics important for safety.
 * When replacing any of these components, use only manufacturers specified parts.
 In case of ordering these spare parts, please always add the complete Model-Type number to your order.

Cct Ref	Parts Number	Description
COMMON PARTS		
EXPLODED VIEW		
1	EAS12S11B	SPEAKER
2	ENG37A21GF	TUNER
3	EUR7651030A	REMOTE CONTROL
4	K0RB00500002	KEY BUTTON MODULE
5	TBLA0194	PEDESTAL ASSY
6	TBMA180	PANASONIC BADGE
7	TBX0E81700	POWER BUTTON
8	TKK0E9518	POWER BUTTON PANEL
9	TKKL5290	CONNECTOR COVER
10	TKP0E15501	HINGE COVER
11	TKZ0E9901	WALL MOUNT METAL
12	TMW0E107	TUNER COVER
13	TMW0E502	AV3 BRACKET
14	TNP8EVL40AC	V P.C.B. 
15	TUA0E400	CHASSIS FRAME
16	TXASX01AERE	AC CORD ASSY 
MISCELLANEOUS COMPONENTS		
.	J0KF00000018	FERRITE CORE
.	R6RC/2P	BATTERY
.	TBM0E0576	REAR AV LABEL
.	TBM0E0606	AV3 LABEL
.	TKP0E15401	LED/IR WINDOW
.	TPD0E0101	BOTTOM CUSHION
.	TPD0E0102	TOP CUSHION
.	XTB3+12JFNK	SCREW
.	XTB4+12JFJ	SCREW
.	XTB4+15JFJK	SCREW
.	XTV3+8JFJK	SCREW
.	XTW3+8TFJ	SCREW
.	XTW4+Z15DFN	SCREW
.	XYN4+F10FJ	SCREW
I.C.s		
IC251	C1BB00000998	AUDIO AMPLIFIER
IC252	C1BB00000998	AUDIO AMPLIFIER
IC270	NJM4556AD	HEADPHONE AMPLIFIER
IC801	F9222L-F219	MAIN PS CONTROL
IC802	TL431BIDBZR	REGULATOR
IC850	TL431BIDBZR	REGULATOR
IC862	C0DBAMH00018	REGULATOR
IC866	TB7100F	DC-DC CONVERTER
IC881	XC6365D105MR	1.8V REGULATOR
IC885	C0DBAJH00016	5V REGULATOR
IC1220	74HC4053D	ANALOG MULTIPLEXER

Cct Ref	Parts Number	Description
IC1380	C0FBBK000047	D/A CONVERTER
IC1381	BA15218FDXE2	OP-AMPLIFIER
IC1500	C0EBE0000120	I.C. RESET
IC1501	VCT6973B2A00	VIDEO PROCESSOR
IC3300	TEA6422DT	AUDIO MATRIX
IC3850	AN78L08-TA	REGULATOR
IC5000	C0DBFFD00003	1.8V REGULATOR
IC5001	C3EBDC000067	2KBIT EEPROM
IC5002	C3EBDC000067	2KBIT EEPROM
IC5003	C1AB00002535	HDMI RECEIVER
PC802	B3PAA0000363	PHOTO COUPLER 
PC803	B3PAA0000363	PHOTO COUPLER 
RM1050	PNA4701M05TV	LED RECEIVER
FUSES		
F800	K5D502BNA005	FUSE 
F850	K5G2523A0003	FS LINK 
DIODES		
D250	MA22D3900L	DIODE
D254	MA22D3900L	DIODE
D255	MAZ802400L	DIODE
D270	MA22D3900L	DIODE
D271	MA22D3900L	DIODE
D272	MA22D3900L	DIODE
D273	MA22D3900L	DIODE
D274	MA22D3900L	DIODE
D275	B0ACCK000005	DIODE
D801	RS606M-CCR01	DIODE
D802	B0BC022A0007	ZENER DIODE
D803	UDZSTE-1711B	DIODE
D804	UDZSTE-1720B	ZENER DIODE
D805	1N4004-F	DIODE
D806	1N4004-F	DIODE
D807	B0HAKM000011	DIODE
D808	B0HCMM000014	DIODE
D809	MAZ82700ML	DIODE
D810	MAZ82700ML	DIODE
D811	CMS16TE12LQ	DIODE
D812	B0HCMM000014	DIODE
D813	B0BA5R600016	DIODE
D814	B0ACCK000005	DIODE
D816	B0AAMV000001	DIODE
D817	B0AAMV000001	DIODE
D818	B0ACCK000005	DIODE
D819	BZX79B75A26A	DIODE
D820	BZX79B75A26A	DIODE
D824	B0ACCK000005	DIODE
D825	B0ACCK000005	DIODE
D827	MAZ22000B	DIODE
D851	YG868C10RF91	DIODE
D852	YG868C10RF91	DIODE
D853	YG868C10RF91	DIODE

Cct Ref	Parts Number	Description
D854	B0HCMM000014	DIODE
D855	B0HCMM000014	DIODE
D856	MAZ2160000LS	DIODE
D857	B0BA01200046	DIODE
D858	B0BA01600007	DIODE
D859	B0BA01600007	DIODE
D860	B0ACCK000005	DIODE
D861	B0ACCK000005	DIODE
D862	B0ACCK000005	DIODE
D863	B0ACCK000005	DIODE
D866	CMS16TE12LQ	DIODE
D870	B0HCMM000014	DIODE
D871	B0HCMM000014	DIODE
D872	B0ACCK000005	DIODE
D873	B0BC01600013	ZENER DIODE
D874	B0BC01600013	ZENER DIODE
D875	B0HCMM000014	DIODE
D876	B0HCMM000014	DIODE
D877	USF5G49TE16Q	DIODE
D878	UDZSTE176.2B	DIODE
D881	CMS16TE12LQ	DIODE
D885	B0HCMM000014	DIODE
D886	CMS16TE12LQ	DIODE
D887	MA22D3900L	DIODE
D889	MA22D3900L	DIODE
D892	B0ACCK000005	DIODE
D1051	SML72923CT15	LED
D1061	B0ACCK000005	DIODE
D1062	UDZSTE178.2B	DIODE
D1101	CMS16TE12LQ	DIODE
D1102	CMS16TE12LQ	DIODE
D1201	MA2J72800L	DIODE
D1220	EZJZ0V80008B	VARISTOR
D1221	EZJZ0V80008B	VARISTOR
D1222	EZJZ0V80008B	VARISTOR
D1501	B0ACCK000005	DIODE
D1502	B0ACCK000005	DIODE
D1700	B0ACCK000005	DIODE
D3817	SD83304TE12R	DIODE
D3818	MAZ23300B	DIODE
D3839	SD83304TE12R	DIODE
D3850	B0ACCK000005	DIODE
D3862	UDZSTE178.2B	DIODE
D3863	UDZSTE178.2B	DIODE
D3864	UDZSTE178.2B	DIODE
D3865	B0ACCK000005	DIODE
D3866	B0ACCK000005	DIODE
D3867	B0ACCK000005	DIODE
D3871	B0ACCK000005	DIODE
D5000	CMS16TE12LQ	DIODE
D5001	B0ACCK000005	DIODE
D5003	CMS16TE12LQ	DIODE
D5004	B0ACCK000005	DIODE
D5008	EZJZ0V80008B	VARISTOR
D5009	EZJZ0V80008B	VARISTOR
D5010	EZJZ0V80008B	VARISTOR
D5011	EZJZ0V80008B	VARISTOR
D5012	EZJZ0V80008B	VARISTOR
D5013	EZJZ0V80008B	VARISTOR
D5016	EZJZ0V80008B	VARISTOR
D5017	EZJZ0V80008B	VARISTOR
D5018	EZJZ0V80008B	VARISTOR
D5019	EZJZ0V80008B	VARISTOR
D5020	EZJZ0V80008B	VARISTOR
D5021	EZJZ0V80008B	VARISTOR
D5022	EZJZ0V80008B	VARISTOR

Cct Ref	Parts Number	Description
D5023	EZJZ0V80008B	VARISTOR
D5024	EZJZ0V80008B	VARISTOR
D5025	EZJZ0V80008B	VARISTOR
D5026	EZJZ0V80008B	VARISTOR
D5027	EZJZ0V80008B	VARISTOR
D5028	EZJZ0V80008B	VARISTOR
D5029	EZJZ0V80008B	VARISTOR
D5030	EZJZ0V80008B	VARISTOR
D5031	EZJZ0V80008B	VARISTOR
D5032	B0ACCK000005	DIODE
D5033	B0ACCK000005	DIODE
D5034	B0ACCK000005	DIODE
D5035	B0ACCK000005	DIODE
D5036	B0ACCK000005	DIODE
D5037	B0ACCK000005	DIODE
D5038	B0ACCK000005	DIODE
R301	1N4148WS	DIODE
SN1063	B3L000000020	PHOTO COUPLER
TRANSISTORS		
Q121	BC847B	TRANSISTOR
Q122	BC847B	TRANSISTOR
Q123	BC847B	TRANSISTOR
Q250	BC847B	TRANSISTOR
Q251	BC857B	TRANSISTOR
Q254	BC847B	TRANSISTOR
Q270	BC857B	TRANSISTOR
Q271	BC857B	TRANSISTOR
Q272	BC857B	TRANSISTOR
Q273	BC847B	TRANSISTOR
Q274	BC847B	TRANSISTOR
Q275	BC847B	TRANSISTOR
Q276	BC847B	TRANSISTOR
Q277	BC847B	TRANSISTOR
Q801	BC847B	TRANSISTOR
Q802	2SK2009TE81L	TRANSISTOR
Q803	2SK2231Q	TRANSISTOR
Q804	BC847B	TRANSISTOR
Q805	2SK3767L103Q	TRANSISTOR
Q806	BC847B	TRANSISTOR
Q807	2SB0710ARL	TRANSISTOR
Q808	BC857B	TRANSISTOR
Q822	XN0140100L	TRANSISTOR
Q851	UNR221500L	TRANSISTOR
Q852	B1ABPF000010	TRANSISTOR
Q853	BC857B	TRANSISTOR
Q854	BC847B	TRANSISTOR
Q855	BC847B	TRANSISTOR
Q865	2SD10300SL	TRANSISTOR
Q872	UNR221500L	TRANSISTOR
Q873	B1DHED000013	TRANSISTOR
Q875	B1ABPF000010	TRANSISTOR
Q876	BC847B	TRANSISTOR
Q877	UNR221500L	TRANSISTOR
Q878	B1DHDC000028	TRANSISTOR
Q879	UNR221500L	TRANSISTOR
Q881	XP162A12A6PR	TRANSISTOR
Q882	2SD10300SL	TRANSISTOR
Q952	UNR221500L	TRANSISTOR
Q1063	BC847B	TRANSISTOR
Q1064	BC857B	TRANSISTOR
Q1065	BC857B	TRANSISTOR
Q1100	2N7002	TRANSISTOR
Q1101	2N7002	TRANSISTOR
Q1207	2SC584500L	TRANSISTOR
Q1208	2SC584500L	TRANSISTOR
Q1209	2SC584500L	TRANSISTOR

Cct Ref	Parts Number	Description
Q1212	BC847B	TRANSISTOR
Q1213	BC847B	TRANSISTOR
Q1215	BC847B	TRANSISTOR
Q1217	UNR221500L	TRANSISTOR
Q1219	NDC7002N-NL	TRANSISTOR
Q1222	B1MBACA00008	TRANSISTOR
Q1223	B1MBACA00008	TRANSISTOR
Q1229	BC847B	TRANSISTOR
Q1230	BC847B	TRANSISTOR
Q1231	BC847B	TRANSISTOR
Q1232	BC847B	TRANSISTOR
Q1380	BC847B	TRANSISTOR
Q1700	UNR221500L	TRANSISTOR
Q1701	B1DHED000013	TRANSISTOR
Q1721	2N7002	TRANSISTOR
Q3201	BC857B	TRANSISTOR
Q3202	BC857B	TRANSISTOR
Q3204	BC847B	TRANSISTOR
Q3205	BC847B	TRANSISTOR
Q3860	BC847B	TRANSISTOR
Q3861	BC857B	TRANSISTOR
Q3862	BC847B	TRANSISTOR
Q5000	B1MBACA00008	TRANSISTOR
Q5001	2SK2009TE81L	TRANSISTOR
Q5002	2N7002	TRANSISTOR
Q5003	B1MBACA00008	TRANSISTOR
Q5004	2SK2009TE81L	TRANSISTOR
Q5005	2N7002	TRANSISTOR
Q5007	2N7002	TRANSISTOR
Q5008	2N7002	TRANSISTOR
Q5009	2SC584500L	TRANSISTOR
Q5010	2SC584500L	TRANSISTOR
Q5011	2SC584500L	TRANSISTOR
Q5012	2SC584500L	TRANSISTOR
COILS		
L100	EXCELSA35T	COIL
L101	ELJFC2R2KFB	COIL
L102	ELJFC2R2KFB	COIL
L103	G0C100K00008	COIL TALV35VB100K
L121	G0C6R8JA0021	COIL TALV35VB6R8J
L122	G0C100K00008	COIL TALV35VB100K
L201	G1C470MA0188	COIL
L202	G1C470MA0188	COIL
L801	G0A553G00001	PFC COIL
L803	EXCELSA35V	COIL
L804	EXCELDR35V	COIL
L805	EXCELDR35V	COIL
L806	EXCELDR35V	COIL
L807	EXCELDR35V	COIL
L865	ELLATV470M	COIL
L867	ELL6SH4R7ME	COIL
L881	ELL6SH100ME	COIL
L885	ELLATV6R8N	COIL
L886	J0JJC0000015	COIL
L887	J0JJC0000015	COIL
L1100	ELJFC2R2KFB	COIL
L1101	ELJFC2R2KFB	COIL
L1380	J0JHC0000045	COIL BLM18PG121SN1D
L1381	ELJPA1R0MFB	COIL
L1500	G0C100K00008	COIL TALV35VB100K
L1501	G0A100GA0013	COIL TALL08T100KA
L1502	G0C100K00008	COIL TALV35VB100K
L1503	G0C100K00008	COIL TALV35VB100K
L1504	G0C100K00008	COIL TALV35VB100K
L1505	G0C100K00008	COIL TALV35VB100K
L1506	G0C100K00008	COIL TALV35VB100K

Cct Ref	Parts Number	Description
L1507	G0C100K00008	COIL TALV35VB100K
L1509	G0C100K00008	COIL TALV35VB100K
L1514	G0C100K00008	COIL TALV35VB100K
L1515	G0C100K00008	COIL TALV35VB100K
L1518	J0JHC0000078	COIL
L1519	J0JHC0000078	COIL
L1520	J0JHC0000078	COIL
L2352	G0C331JA0064	COIL
L3021	ELJFCR68KFB	COIL
L3022	ELJFCR68KFB	COIL
L3023	ELJFCR68KFB	COIL
L3024	ELJFCR68KFB	COIL
L3025	ELJFCR68KFB	COIL
L3026	ELJFCR68KFB	COIL
L3600	ELJFA6R8KFB	COIL
L3601	ELJFA6R8KFB	COIL
L5000	J0JHC0000045	COIL BLM18PG121SN1D
L5001	J0JHC0000045	COIL BLM18PG121SN1D
L5002	J0JHC0000045	COIL BLM18PG121SN1D
L5003	J0JHC0000034	COIL
L5004	J0JHC0000034	COIL
L5005	J0JHC0000034	COIL
L5006	J0JHC0000034	COIL
L5007	J0JHC0000045	COIL BLM18PG121SN1D
L5008	J0JHC0000045	COIL BLM18PG121SN1D
L5010	J0JHC0000045	COIL BLM18PG121SN1D
L5012	J0JHC0000045	COIL BLM18PG121SN1D
L5013	J0JCC0000166	COIL
FILTERS		
LF802	G0B103H00002	LINE FILTER
LF803	G0B103H00002	LINE FILTER
X120	EFCT7004BN	CERAMIC FILTER
X121	EFCT6504BN	FILTER
CRYSTALS		
X1500	AI202504E	CRYSTAL
X5000	H0J283500018	CRYSTAL
RESISTORS		
R101	ERJ6GEYJ101Z	SMD .125W 5% 100 Ω
R104	ERJ6GEYJ101Z	SMD .125W 5% 100 Ω
R105	ERJ6GEYJ101Z	SMD .125W 5% 100 Ω
R106	ERJ6GEYJ101Z	SMD .125W 5% 100 Ω
R121	ERJ3GEY0R00V	S.M.CARB 0.1W - 0 Ω
R123	ERJ3GEY0R00V	S.M.CARB 0.1W - 0 Ω
R124	ERJ6GEYJ223V	S.M.CARB 0.1W 5% 22K Ω
R125	ERJ3GEYJ103V	S.M.CARB 0.1W 5% 10K Ω
R126	ERJ3GEYJ272V	S.M.CARB 0.1W 5% 2K7 Ω
R128	ERJ3GEYJ222V	S.M.CARB 0.1W 5% 2K2 Ω
R129	ERJ3GEY0R00V	S.M.CARB 0.1W - 0 Ω
R130	ERJ3GEYJ332V	S.M.CARB 0.1W 5% 3K3 Ω
R131	ERJ3GEYJ681V	SMD 0.1W 5% 680 Ω
R132	ERJ3GEYJ101V	S.M.CARB 0.1W 5% 100 Ω
R133	ERJ3GEYJ102V	S.M.CARB 0.1W 5% 1K Ω
R134	ERJ6GEYJ680V	S.M.CARB 0.1W 5% 68 Ω
R135	ERJ3GEYJ471V	S.M.CARB 0.1W 5% 470 Ω
R200	ERJ6GEY0R00Z	S.M.CARB - - 0 Ω
R201	ERJ3GEYJ222V	S.M.CARB 0.1W 5% 2K2 Ω
R202	ERJ3GEYJ473V	S.M.CARB 0.1W 5% 47K Ω
R203	ERJ3GEYJ105V	SMD 1W 5% 1M Ω
R204	ERJ3GEYJ102V	S.M.CARB 0.1W 5% 1K Ω
R205	ERJ3GEYJ392V	S.M.CARB 0.1W 5% 3K9 Ω
R206	ERJ6GEY0R00Z	S.M.CARB - - 0 Ω
R207	ERJ3GEYJ102V	S.M.CARB 0.1W 5% 1K Ω
R208	ERJ3GEYJ101V	S.M.CARB 0.1W 5% 100 Ω
R209	ERJ3GEYJ222V	S.M.CARB 0.1W 5% 2K2 Ω
R210	ERJ6GEYJ100V	S.M.CARB 0.1W 5% 10 Ω

Cct Ref	Parts Number	Description				
R211	ERJ8GEYJ153V	SMD	0.25W	5%	15K Ω	
R213	ERJ6GEYJ223V	S.M.CARB	0.1W	5%	22K Ω	
R214	ERJ6GEYJ103V	S.M.CARB	0.1W	5%	10K Ω	
R215	ERJ3GEYJ222V	S.M.CARB	0.1W	5%	2K2 Ω	
R216	ERJ3GEYJ473V	S.M.CARB	0.1W	5%	47K Ω	
R217	ERJ3GEYJ105V	SMD	1W	5%	1M Ω	
R218	ERJ3GEYJ102V	S.M.CARB	0.1W	5%	1K Ω	
R219	ERJ3GEYJ392V	S.M.CARB	0.1W	5%	3K9 Ω	
R220	ERJ6GEY0R00Z	S.M.CARB	-	-	0 Ω	
R221	ERJ3GEYJ102V	S.M.CARB	0.1W	5%	1K Ω	
R222	ERJ3GEYJ101V	S.M.CARB	0.1W	5%	100 Ω	
R223	ERJ3GEYJ222V	S.M.CARB	0.1W	5%	2K2 Ω	
R224	ERJ6GEYJ100V	S.M.CARB	0.1W	5%	10 Ω	
R225	ERJ8GEYJ153V	SMD	0.25W	5%	15K Ω	
R228	ERJ6GEYJ473V	S.M.CARB	0.1W	5%	47K Ω	
R229	ERJ6GEYJ473V	S.M.CARB	0.1W	5%	47K Ω	
R241	ERJ6GEY0R00Z	S.M.CARB	-	-	0 Ω	
R242	ERJ6GEY0R00Z	S.M.CARB	-	-	0 Ω	
R243	ERJ6GEY0R00Z	S.M.CARB	-	-	0 Ω	
R244	ERJ6GEY0R00Z	S.M.CARB	-	-	0 Ω	
R250	ERJ3GEYJ103V	S.M.CARB	0.1W	5%	10K Ω	
R251	ERJ3GEYJ103V	S.M.CARB	0.1W	5%	10K Ω	
R253	ERJ3GEYJ103V	S.M.CARB	0.1W	5%	10K Ω	
R254	ERJ3GEYJ473V	S.M.CARB	0.1W	5%	47K Ω	
R256	ERJ3GEY0R00V	S.M.CARB	0.1W	-	0 Ω	
R259	ERJ3GEYJ562V	S.M.CARB	0.1W	5%	5K6 Ω	
R261	ERJ3GEY0R00V	S.M.CARB	0.1W	-	0 Ω	
R264	ERJ3GEYJ102V	S.M.CARB	0.1W	5%	1K Ω	
R265	ERJ3GEYJ471V	S.M.CARB	0.1W	5%	470 Ω	
R266	ERJ3GEYJ471V	S.M.CARB	0.1W	5%	470 Ω	
R267	ERJ3GEYJ104V	S.M.CARB	0.1W	5%	100K Ω	
R268	ERJ3GEYJ104V	S.M.CARB	0.1W	5%	100K Ω	
R272	ERJ3GEYJ102V	S.M.CARB	0.1W	5%	1K Ω	
R273	ERJ3GEYJ102V	S.M.CARB	0.1W	5%	1K Ω	
R274	ERJ3GEYJ562V	S.M.CARB	0.1W	5%	5K6 Ω	
R275	ERJ6GEYJ681V	S.M.CARB	0.1W	5%	680 Ω	
R276	ERJ6GEYJ681V	S.M.CARB	0.1W	5%	680 Ω	
R277	ERJ3GEYJ102V	S.M.CARB	0.1W	5%	1K Ω	
R278	ERJ3GEYJ332V	S.M.CARB	0.1W	5%	3K3 Ω	
R279	ERJ3GEYJ332V	S.M.CARB	0.1W	5%	3K3 Ω	
R280	ERJ3GEYJ104V	S.M.CARB	0.1W	5%	100K Ω	
R281	ERJ3GEYJ104V	S.M.CARB	0.1W	5%	100K Ω	
R282	ERJ6RBD103V	SMD	0.1W	0.5	10K Ω	
R283	ERJ6RBD103V	SMD	0.1W	0.5	10K Ω	
R284	ERJ6GEYJ473V	S.M.CARB	0.1W	5%	47K Ω	
R285	ERJ6RBD103V	SMD	0.1W	0.5	10K Ω	
R286	ERJ6GEYJ473V	S.M.CARB	0.1W	5%	47K Ω	
R287	ERJ6GEYJ473V	S.M.CARB	0.1W	5%	47K Ω	
R288	ERJ6RBD103V	SMD	0.1W	0.5	10K Ω	
R289	ERJ6GEYJ473V	S.M.CARB	0.1W	5%	47K Ω	
R290	ERJ6GEYJ472V	S.M.CARB	0.1W	5%	4K7 Ω	
R291	ERJ3GEYJ103V	S.M.CARB	0.1W	5%	10K Ω	
R292	ERJ3GEYJ102V	S.M.CARB	0.1W	5%	1K Ω	
R295	ERJ3GEYJ222V	S.M.CARB	0.1W	5%	2K2 Ω	
R299	ERJ3GEYJ104V	S.M.CARB	0.1W	5%	100K Ω	
R809	ERJ6GEY0R00Z	S.M.CARB	-	-	0 Ω	
R810	ERC12ZGK105C	SOLID	0.5W	10%	1M Ω	△
R811	ERJ6GEYJ102V	S.M.CARB	0.1W	5%	1K Ω	
R812	ERDS1FJ824T	CARBON	0.5W	5%	820K Ω	
R813	ERJ6RED244V	SMD	0.1W	0.5	240K Ω	
R814	ERJ6RBD473V	SMD	0.1W	0.5	47K Ω	
R815	ERJ6GEYJ133V	SMD	.125W	5%	13K Ω	
R816	ERDS1FJ824T	CARBON	0.5W	5%	820K Ω	
R817	ERDS2TJ824T	CARBON	0.25W	5%	820K Ω	
R818	ERDS2TJ824T	CARBON	0.25W	5%	820K Ω	
R819	ERDS2TJ824T	CARBON	0.25W	5%	820K Ω	

Cct Ref	Parts Number	Description				
R820	ERG3FJ683H	METAL	3W	5%	68K Ω	
R823	ERJ6GEYJ104V	S.M.CARB	0.1W	5%	100K Ω	
R824	ERJ6GEYJ473V	S.M.CARB	0.1W	5%	47K Ω	
R825	ERJ6GEYJ473V	S.M.CARB	0.1W	5%	47K Ω	
R826	ERJ6GEYJ154V	S.M.CARB	0.1W	5%	150K Ω	
R828	ERJ6GEYJ103V	S.M.CARB	0.1W	5%	10K Ω	
R829	ERJ6GEYJ223V	S.M.CARB	0.1W	5%	22K Ω	
R830	ERX1SJ2R2P	METAL	1W	5%	2R2 Ω	
R831	ERDS1TJ105T	CARBON	0.5W	5%	1M Ω	
R832	ERG1SJ330P	METAL	1W	5%	33 Ω	
R833	ERG1SJ271P	METAL	1W	5%	270 Ω	
R834	ERJ8GEYJ332V	SMD	0.25W	5%	3K3 Ω	
R835	ERJ6GEYJ333V	S.M.CARB	0.1W	5%	33K Ω	
R836	ERJ6GEYJ223V	S.M.CARB	0.1W	5%	22K Ω	
R837	ERJ6GEYJ221V	S.M.CARB	0.1W	5%	220 Ω	
R838	ERJ6GEYJ104V	S.M.CARB	0.1W	5%	100K Ω	
R839	DOXB106J0003	LEADED	1W	5%	10M Ω	△
R840	ERJ6GEYJ104V	S.M.CARB	0.1W	5%	100K Ω	
R841	ERJ6GEYJ272V	S.M.CARB	0.1W	5%	2K7 Ω	
R842	ERJ6GEYJ472V	S.M.CARB	0.1W	5%	4K7 Ω	
R843	ERJ6GEYJ473V	S.M.CARB	0.1W	5%	47K Ω	
R844	ERJ6GEYJ154V	S.M.CARB	0.1W	5%	150K Ω	
R845	ERJ6GEYJ473V	S.M.CARB	0.1W	5%	47K Ω	
R846	ERJ6GEYJ561V	S.M.CARB	0.1W	5%	560 Ω	
R847	ERJ6GEYJ473V	S.M.CARB	0.1W	5%	47K Ω	
R852	ERJ6GEYJ102Z	SMD	0.125	5%	1K Ω	
R853	ERJ6GEYJ222V	S.M.CARB	0.1W	5%	2K2 Ω	
R854	ERJ6GEYJ103V	S.M.CARB	0.1W	5%	10K Ω	
R855	ERJ6GEYJ103V	S.M.CARB	0.1W	5%	10K Ω	
R856	ERJ6GEYJ103V	S.M.CARB	0.1W	5%	10K Ω	
R857	ERJ6RBD303V	SMD	0.1W	0.5	30K Ω	
R858	ERJ6RBD822V	SMD	0.1W	0.5	8K2 Ω	
R859	ERJ6RBD432V	SMD	0.1W	0.5	4K3 Ω	
R860	ERJ6GEYJ102Z	SMD	0.125	5%	1K Ω	
R861	ERJ6GEYJ104V	S.M.CARB	0.1W	5%	100K Ω	
R862	ERJ6GEYJ223V	S.M.CARB	0.1W	5%	22K Ω	
R864	ERJ3GEYJ472V	S.M.CARB	0.1W	5%	4K7 Ω	
R866	ERJ6ENF1203V	SMD	.125W	1%	120K Ω	
R867	ERJ6RBD103V	SMD	0.1W	0.5	10K Ω	
R868	ERJ6ENF2202V	SMD	.125W	1%	22K Ω	
R869	ERJ6GEYJ274V	S.M.CARB	0.1W	5%	270K Ω	
R870	ERJ6ENF2372V	SMD	.125W	1%	23K7 Ω	
R872	ERJ6GEYJ472V	S.M.CARB	0.1W	5%	4K7 Ω	
R873	ERJ3GEYJ272V	S.M.CARB	0.1W	5%	2K7 Ω	
R874	ERJ6GEYJ473V	S.M.CARB	0.1W	5%	47K Ω	
R875	ERJ6GEYJ104V	S.M.CARB	0.1W	5%	100K Ω	
R876	ERJ6GEYJ153V	S.M.CARB	0.1W	5%	15K Ω	
R877	ERJ6GEYJ220V	S.M.CARB	0.1W	5%	22 Ω	
R878	ERJ6GEYJ331V	S.M.CARB	0.1W	5%	330 Ω	
R881	ERJ6GEYJ334V	S.M.CARB	0.1W	5%	330K Ω	
R882	ERJ6RED244V	SMD	0.1W	0.5	240K Ω	
R883	ERJ6RED274V	SMD	0.1W	0.5	270K Ω	
R884	ERJ3GEYJ101V	S.M.CARB	0.1W	5%	100 Ω	
R885	ERJ6GEYJ105V	S.M.CARB	0.1W	5%	1M Ω	
R886	ERJ6GEYJ104V	S.M.CARB	0.1W	5%	100K Ω	
R888	ERJ6ENF5102V	SMD	.125W	1%	51K Ω	
R889	ERJ6GEYJ430V	SMD	.125W	5%	43 Ω	
R890	ERJ12RSJR10U	SMD	0.5W	5%	R1 Ω	
R891	ERJ12RSJR10U	SMD	0.5W	5%	R1 Ω	
R892	ERJ6GEYJ103V	S.M.CARB	0.1W	5%	10K Ω	
R893	ERJ6ENF5600V	SMD	.125W	1%	560 Ω	
R894	ERJ6ENF1801V	SMD	.125W	1%	1K8 Ω	
R895	ERJ6ENF2201V	SMD	.125W	1%	2K2 Ω	
R896	ERJ6ENF6202V	SMD	.125W	1%	62K Ω	
R897	ERJ6GEYJ242V	S.M.CARB	0.1W	5%	2K4 Ω	
R898	ERJ6ENF7502V	SMD	.125W	1%	75K Ω	

Cct Ref	Parts Number	Description			
R899	ERJ6ENF2402V	SMD	.125W	1%	24K Ω
R900	ERJ6GEYJ753V	S.M.CARB	0.1W	5%	75K Ω
R902	ERJ6GEYJ103V	S.M.CARB	0.1W	5%	10K Ω
R904	ERJ3GEY0R00V	S.M.CARB	0.1W	-	0 Ω
R950	ERJ3GEY0R00V	S.M.CARB	0.1W	-	0 Ω
R959	ERJ6GEYJ103V	S.M.CARB	0.1W	5%	10K Ω
R1055	ERJ6GEYJ103V	S.M.CARB	0.1W	5%	10K Ω
R1063	ERJ6GEYJ754V	SMD	.125W	5%	750K Ω
R1064	ERJ6GEY0R00Z	S.M.CARB	-	-	0 Ω
R1065	ERJ6GEYJ274V	S.M.CARB	0.1W	5%	270K Ω
R1066	ERJ6GEYJ124V	S.M.CARB	0.1W	5%	120K Ω
R1102	ERJ3GEYJ101V	S.M.CARB	0.1W	5%	100 Ω
R1103	ERJ3GEYJ472V	S.M.CARB	0.1W	5%	4K7 Ω
R1104	ERJ3GEYJ101V	S.M.CARB	0.1W	5%	100 Ω
R1105	ERJ3GEYJ472V	S.M.CARB	0.1W	5%	4K7 Ω
R1106	ERJ3GEYJ822V	S.M.CARB	0.1W	5%	8K2 Ω
R1107	ERJ3GEYJ822V	S.M.CARB	0.1W	5%	8K2 Ω
R1110	ERJ3GEY0R00V	S.M.CARB	0.1W	-	0 Ω
R1111	ERJ3GEY0R00V	S.M.CARB	0.1W	-	0 Ω
R1113	ERJ3GEY0R00V	S.M.CARB	0.1W	-	0 Ω
R1120	ERJ3GEY0R00V	S.M.CARB	0.1W	-	0 Ω
R1121	ERJ3GEYJ101V	S.M.CARB	0.1W	5%	100 Ω
R1122	ERJ3GEY0R00V	S.M.CARB	0.1W	-	0 Ω
R1123	ERJ3GEYJ104V	S.M.CARB	0.1W	5%	100K Ω
R1124	ERJ3GEYJ104V	S.M.CARB	0.1W	5%	100K Ω
R1125	ERJ3GEY0R00V	S.M.CARB	0.1W	-	0 Ω
R1126	ERJ3GEY0R00V	S.M.CARB	0.1W	-	0 Ω
R1142	ERJ3GEYJ472V	S.M.CARB	0.1W	5%	4K7 Ω
R1143	ERJ3GEYJ101V	S.M.CARB	0.1W	5%	100 Ω
R1216	ERJ3GEY0R00V	S.M.CARB	0.1W	-	0 Ω
R1217	ERJ3GEY0R00V	S.M.CARB	0.1W	-	0 Ω
R1218	ERJ3GEYJ102V	S.M.CARB	0.1W	5%	1K Ω
R1220	ERJ3GEYJ473V	S.M.CARB	0.1W	5%	47K Ω
R1221	ERJ3GEYJ821V	S.M.CARB	0.1W	5%	820 Ω
R1223	ERJ3GEYJ472V	S.M.CARB	0.1W	5%	4K7 Ω
R1224	ERJ3GEYJ103V	S.M.CARB	0.1W	5%	10K Ω
R1228	ERJ3GEY0R00V	S.M.CARB	0.1W	-	0 Ω
R1229	ERJ3GEYJ104V	S.M.CARB	0.1W	5%	100K Ω
R1233	ERJ3GEYJ473V	S.M.CARB	0.1W	5%	47K Ω
R1234	ERJ3GEYJ472V	S.M.CARB	0.1W	5%	4K7 Ω
R1235	ERJ3GEYJ273V	S.M.CARB	0.1W	5%	27K Ω
R1236	ERJ6GEYJ472V	S.M.CARB	0.1W	5%	4K7 Ω
R1237	ERJ6GEYJ472V	S.M.CARB	0.1W	5%	4K7 Ω
R1238	ERJ3GEYJ224V	S.M.CARB	0.1W	5%	220K Ω
R1239	ERJ3GEYJ104V	S.M.CARB	0.1W	5%	100K Ω
R1249	ERJ3GEYJ225V	S.M.CARB	0.1W	5%	2M2 Ω
R1250	ERJ3GEYJ472V	S.M.CARB	0.1W	5%	4K7 Ω
R1251	ERJ3GEYJ472V	S.M.CARB	0.1W	5%	4K7 Ω
R1252	ERJ3GEYJ472V	S.M.CARB	0.1W	5%	4K7 Ω
R1255	ERJ3GEY0R00V	S.M.CARB	0.1W	-	0 Ω
R1256	ERJ3GEYJ104V	S.M.CARB	0.1W	5%	100K Ω
R1257	ERJ3GEYJ223V	S.M.CARB	0.1W	5%	22K Ω
R1258	ERJ3GEYJ221V	S.M.CARB	0.1W	5%	220 Ω
R1262	ERJ3GEY0R00V	S.M.CARB	0.1W	-	0 Ω
R1263	ERJ3GEYJ472V	S.M.CARB	0.1W	5%	4K7 Ω
R1264	ERJ3GEYJ473V	S.M.CARB	0.1W	5%	47K Ω
R1265	ERJ3GEYJ475V	SMD	0.1W	5%	4M7 Ω
R1266	ERJ3GEYJ224V	S.M.CARB	0.1W	5%	220K Ω
R1267	ERJ3GEYJ474V	S.M.CARB	0.1W	5%	470K Ω
R1268	ERJ3EKF2402V	SMD	0.1W	1%	24K Ω
R1269	ERJ3GEYJ104V	S.M.CARB	0.1W	5%	100K Ω
R1270	ERJ3GEYJ221V	S.M.CARB	0.1W	5%	220 Ω
R1271	ERJ3GEYJ223V	S.M.CARB	0.1W	5%	22K Ω
R1293	ERJ3GEYJ103V	S.M.CARB	0.1W	5%	10K Ω
R1377	ERJ2GEJ330X	SMD	.063W	5%	33 Ω
R1378	ERJ2GEJ330X	SMD	.063W	5%	33 Ω

Cct Ref	Parts Number	Description			
R1379	ERJ2GEJ330X	SMD	.063W	5%	33 Ω
R1380	ERJ6GEYJ102Z	SMD	0.125	5%	1K Ω
R1381	ERJ6GEYJ103V	S.M.CARB	0.1W	5%	10K Ω
R1382	ERJ2GE0R00X	SMD	.063W	-	0 Ω
R1383	ERJ2GEJ473X	SMD	.063W	5%	47K Ω
R1384	ERJ2GEJ473X	SMD	.063W	5%	47K Ω
R1385	ERJ2GEJ103X	SMD	.063W	5%	10K Ω
R1386	ERJ2GEJ103X	SMD	.063W	5%	10K Ω
R1387	ERJ3GEYJ203V	SMD	0.1W	5%	20K Ω
R1388	ERJ3GEYJ333V	SMD	0.1W	5%	33K Ω
R1389	ERJ3GEYJ203V	SMD	0.1W	5%	20K Ω
R1390	ERJ3GEYJ223V	S.M.CARB	0.1W	5%	22K Ω
R1391	ERJ3GEYJ333V	SMD	0.1W	5%	33K Ω
R1392	ERJ3GEYJ223V	S.M.CARB	0.1W	5%	22K Ω
R1393	ERJ2GEJ102X	RESISTOR	.063W	5%	1K Ω
R1395	ERJ2GEJ102X	RESISTOR	.063W	5%	1K Ω
R1397	ERJ2GEJ101X	SMD	.063W	5%	100 Ω
R1398	ERJ2GEJ101X	SMD	.063W	5%	100 Ω
R1500	ERJ3GEYJ101V	S.M.CARB	0.1W	5%	100 Ω
R1501	ERJ8GEYJ750V	SMD	0.25W	5%	75 Ω
R1502	ERJ6GEYJ750V	S.M.CARB	0.1W	5%	75 Ω
R1503	ERJ3GEYJ101V	S.M.CARB	0.1W	5%	100 Ω
R1504	ERJ3GEYJ101V	S.M.CARB	0.1W	5%	100 Ω
R1505	ERJ3GEYJ123V	S.M.CARB	0.1W	5%	12K Ω
R1506	ERJ3GEYJ123V	S.M.CARB	0.1W	5%	12K Ω
R1507	ERJ8GEYJ750V	SMD	0.25W	5%	75 Ω
R1509	ERJ3GEYJ750V	S.M.CARB	0.1W	5%	75 Ω
R1510	ERJ3GEYJ750V	S.M.CARB	0.1W	5%	75 Ω
R1512	ERJ6GEYJ750V	S.M.CARB	0.1W	5%	75 Ω
R1513	ERJ3GEYJ302V	SMD	0.1W	5%	3K Ω
R1514	ERJ6GEYJ750V	S.M.CARB	0.1W	5%	75 Ω
R1515	ERJ3GEYJ302V	SMD	0.1W	5%	3K Ω
R1516	ERJ3GEYJ101V	S.M.CARB	0.1W	5%	100 Ω
R1517	ERJ3GEYJ101V	S.M.CARB	0.1W	5%	100 Ω
R1518	ERJ6GEYJ750V	S.M.CARB	0.1W	5%	75 Ω
R1521	EXB2HV101JV	SMD	.063W	5%	100 Ω
R1522	ERJ6GEY0R00Z	S.M.CARB	-	-	0 Ω
R1523	ERJ6GEY0R00Z	S.M.CARB	-	-	0 Ω
R1526	ERJ3GEYJ750V	S.M.CARB	0.1W	5%	75 Ω
R1527	ERJ3GEYJ750V	S.M.CARB	0.1W	5%	75 Ω
R1528	ERJ6GEYJ750V	S.M.CARB	0.1W	5%	75 Ω
R1529	ERJ3GEYJ101V	S.M.CARB	0.1W	5%	100 Ω
R1530	ERJ3GEYJ273V	S.M.CARB	0.1W	5%	27K Ω
R1531	ERJ6GEYJ750V	S.M.CARB	0.1W	5%	75 Ω
R1532	ERJ6GEYJ750V	S.M.CARB	0.1W	5%	75 Ω
R1533	ERJ3GEYJ101V	S.M.CARB	0.1W	5%	100 Ω
R1536	ERJ3GEY0R00V	S.M.CARB	0.1W	-	0 Ω
R1537	ERJ3GEYJ101V	S.M.CARB	0.1W	5%	100 Ω
R1538	ERJ3GEYJ101V	S.M.CARB	0.1W	5%	100 Ω
R1540	EXB38V101JV	CHIP RES	.063W	5%	100 Ω
R1541	EXB2HV101JV	SMD	.063W	5%	100 Ω
R1542	ERJ3GEYJ472V	S.M.CARB	0.1W	5%	4K7 Ω
R1543	ERJ3GEYJ472V	S.M.CARB	0.1W	5%	4K7 Ω
R1544	ERJ3GEYJ472V	S.M.CARB	0.1W	5%	4K7 Ω
R1545	ERJ3GEYJ101V	S.M.CARB	0.1W	5%	100 Ω
R1546	ERJ3GEYJ101V	S.M.CARB	0.1W	5%	100 Ω
R1549	ERJ6GEYJ622V	S.M.CARB	0.1W	5%	6K2 Ω
R1550	EXB2HV101JV	SMD	.063W	5%	100 Ω
R1556	EXB2HV101JV	SMD	.063W	5%	100 Ω
R1568	ERJ3GEYJ101V	S.M.CARB	0.1W	5%	100 Ω
R1569	ERJ3GEYJ101V	S.M.CARB	0.1W	5%	100 Ω
R1579	ERJ3GEYJ103V	S.M.CARB	0.1W	5%	10K Ω
R1580	ERJ3GEYJ103V	S.M.CARB	0.1W	5%	10K Ω
R1583	ERJ3GEY0R00V	S.M.CARB	0.1W	-	0 Ω
R1585	ERJ3GEY0R00V	S.M.CARB	0.1W	-	0 Ω
R1586	ERJ3GEYJ101V	S.M.CARB	0.1W	5%	100 Ω

Cct Ref	Parts Number	Description				
R1587	ERJ3GEY0R00V	S.M.CARB	0.1W	-	0 Ω	
R1589	ERJ3GEY0R00V	S.M.CARB	0.1W	-	0 Ω	
R1591	ERJ3GEYJ330V	SMD	0.1W	5%	33 Ω	
R1592	ERJ3GEYJ330V	SMD	0.1W	5%	33 Ω	
R1593	ERJ3GEYJ330V	SMD	0.1W	5%	33 Ω	
R1595	ERJ6GEYJ472V	S.M.CARB	0.1W	5%	4K7 Ω	
R1597	ERJ3GEYJ750V	S.M.CARB	0.1W	5%	75 Ω	
R1598	ERJ3GEYJ750V	S.M.CARB	0.1W	5%	75 Ω	
R1599	ERJ3GEYJ750V	S.M.CARB	0.1W	5%	75 Ω	
R1600	ERJ6GEYJ472V	S.M.CARB	0.1W	5%	4K7 Ω	
R1604	ERJ6GEYJ750V	S.M.CARB	0.1W	5%	75 Ω	
R1700	ERJ3GEYJ102V	S.M.CARB	0.1W	5%	1K Ω	
R1702	ERJ3GEYJ102V	S.M.CARB	0.1W	5%	1K Ω	
R1703	ERJ3GEYJ153V	S.M.CARB	0.1W	5%	15K Ω	
R1714	ERJ3GEY0R00V	S.M.CARB	0.1W	-	0 Ω	
R1715	ERJ3GEYJ334V	S.M.CARB	0.1W	5%	330K Ω	
R1716	ERJ3GEY0R00V	S.M.CARB	0.1W	-	0 Ω	
R1717	ERJ3GEY0R00V	S.M.CARB	0.1W	-	0 Ω	
R1722	ERJ3GEY0R00V	S.M.CARB	0.1W	-	0 Ω	
R1727	ERJ3GEYJ472V	S.M.CARB	0.1W	5%	4K7 Ω	
R1729	ERJ3GEYJ472V	S.M.CARB	0.1W	5%	4K7 Ω	
R3000	ERJ3GEYJ101V	S.M.CARB	0.1W	5%	100 Ω	
R3001	ERJ6GEYJ750V	S.M.CARB	0.1W	5%	75 Ω	
R3002	ERJ3GEYJ101V	S.M.CARB	0.1W	5%	100 Ω	
R3007	ERJ3GEYJ473V	S.M.CARB	0.1W	5%	47K Ω	
R3008	ERJ3GEYJ473V	S.M.CARB	0.1W	5%	47K Ω	
R3009	ERJ3GEYJ104V	S.M.CARB	0.1W	5%	100K Ω	
R3010	ERJ3GEYJ104V	S.M.CARB	0.1W	5%	100K Ω	
R3011	ERJ3GEYJ101V	S.M.CARB	0.1W	5%	100 Ω	
R3012	ERJ3GEYJ101V	S.M.CARB	0.1W	5%	100 Ω	
R3021	ERJ3GEYJ473V	S.M.CARB	0.1W	5%	47K Ω	
R3022	ERJ3GEYJ101V	S.M.CARB	0.1W	5%	100 Ω	
R3023	ERJ3GEYJ473V	S.M.CARB	0.1W	5%	47K Ω	
R3024	ERJ3GEYJ101V	S.M.CARB	0.1W	5%	100 Ω	
R3050	ERJ6GEYJ750V	S.M.CARB	0.1W	5%	75 Ω	
R3053	ERJ3GEYJ473V	S.M.CARB	0.1W	5%	47K Ω	
R3055	ERJ3GEYJ473V	S.M.CARB	0.1W	5%	47K Ω	
R3057	ERJ3GEYJ101V	S.M.CARB	0.1W	5%	100 Ω	
R3058	ERJ3GEYJ104V	S.M.CARB	0.1W	5%	100K Ω	
R3059	ERJ3GEYJ101V	S.M.CARB	0.1W	5%	100 Ω	
R3060	ERJ3GEYJ104V	S.M.CARB	0.1W	5%	100K Ω	
R3201	ERJ3GEY0R00V	S.M.CARB	0.1W	-	0 Ω	
R3202	ERJ3GEY0R00V	S.M.CARB	0.1W	-	0 Ω	
R3204	ERJ3GEYJ221V	S.M.CARB	0.1W	5%	220 Ω	
R3205	ERJ3GEYJ221V	S.M.CARB	0.1W	5%	220 Ω	
R3208	ERJ3GEYJ152V	S.M.CARB	0.1W	5%	1K5 Ω	
R3209	ERJ3GEYJ221V	S.M.CARB	0.1W	5%	220 Ω	
R3210	ERJ3GEYJ152V	S.M.CARB	0.1W	5%	1K5 Ω	
R3211	ERJ3GEYJ221V	S.M.CARB	0.1W	5%	220 Ω	
R3214	ERJ3GEYJ123V	S.M.CARB	0.1W	5%	12K Ω	
R3215	ERJ3GEYJ682V	S.M.CARB	0.1W	5%	6K8 Ω	
R3216	ERJ3GEYJ123V	S.M.CARB	0.1W	5%	12K Ω	
R3217	ERJ3GEYJ682V	S.M.CARB	0.1W	5%	6K8 Ω	
R3223	ERJ3GEY0R00V	S.M.CARB	0.1W	-	0 Ω	
R3224	ERJ3GEY0R00V	S.M.CARB	0.1W	-	0 Ω	
R3225	ERJ3GEY0R00V	S.M.CARB	0.1W	-	0 Ω	
R3228	ERJ3GEY0R00V	S.M.CARB	0.1W	-	0 Ω	
R3301	ERJ6GEYJ101Z	SMD	.125W	5%	100 Ω	
R3302	ERJ6GEYJ101Z	SMD	.125W	5%	100 Ω	
R3304	ERJ6GEYJ101Z	SMD	.125W	5%	100 Ω	
R3305	ERJ6GEYJ101Z	SMD	.125W	5%	100 Ω	
R3333	ERJ6GEY0R00Z	S.M.CARB	-	-	0 Ω	
R3400	ERJ3GEY0R00V	S.M.CARB	0.1W	-	0 Ω	
R3403	ERJ3GEY0R00V	S.M.CARB	0.1W	-	0 Ω	
R3405	ERJ3GEY0R00V	S.M.CARB	0.1W	-	0 Ω	
R3507	ERJ3GEYJ101V	S.M.CARB	0.1W	5%	100 Ω	

Cct Ref	Parts Number	Description				
R3600	ERJ6GEYJ473V	S.M.CARB	0.1W	5%	47K Ω	
R3601	ERJ6GEYJ101Z	SMD	.125W	5%	100 Ω	
R3602	ERJ6GEYJ473V	S.M.CARB	0.1W	5%	47K Ω	
R3603	ERJ6GEYJ101Z	SMD	.125W	5%	100 Ω	
R3605	ERJ6GEYJ103V	S.M.CARB	0.1W	5%	10K Ω	
R3606	ERJ12YJ151U	SMD	0.5W	5%	150 Ω	
R3608	ERJ6GEYJ103V	S.M.CARB	0.1W	5%	10K Ω	
R3609	ERJ12YJ151U	SMD	0.5W	5%	150 Ω	
R3813	ERF2TLK10M	FIXED	2W	10%	0.01 Ω	
R3814	ERG1FJS681E	METAL	1W	5%	680 Ω	
R3815	ERJ6GEYJ473V	S.M.CARB	0.1W	5%	47K Ω	
R3816	ERJ6GEYJ473V	S.M.CARB	0.1W	5%	47K Ω	
R3817	ERJ6GEYJ473V	S.M.CARB	0.1W	5%	47K Ω	
R3818	ERJ6GEYJ103V	S.M.CARB	0.1W	5%	10K Ω	
R3819	ERJ6GEYJ273V	S.M.CARB	0.1W	5%	27K Ω	
R3820	ERJ6GEYJ104V	S.M.CARB	0.1W	5%	100K Ω	
R3823	ERG1SJ471P	METAL	1W	5%	470 Ω	
R3824	ERG1SJ471P	METAL	1W	5%	470 Ω	
R3833	ERJ6GEYJ103V	S.M.CARB	0.1W	5%	10K Ω	
R3834	ERJ6GEYJ103V	S.M.CARB	0.1W	5%	10K Ω	
R3835	ERJ6GEYJ473V	S.M.CARB	0.1W	5%	47K Ω	
R3845	ERG1FJS681E	METAL	1W	5%	680 Ω	
R3861	ERJ3GEYJ333V	SMD	0.1W	5%	33K Ω	
R3862	ERJ3GEYJ153V	S.M.CARB	0.1W	5%	15K Ω	
R3863	ERJ3GEYJ153V	S.M.CARB	0.1W	5%	15K Ω	
R3864	ERJ3GEYJ333V	SMD	0.1W	5%	33K Ω	
R3865	ERJ3GEYJ153V	S.M.CARB	0.1W	5%	15K Ω	
R3866	ERJ3GEYJ153V	S.M.CARB	0.1W	5%	15K Ω	
R3867	ERJ3GEYJ153V	S.M.CARB	0.1W	5%	15K Ω	
R3873	ERJ3GEYJ473V	S.M.CARB	0.1W	5%	47K Ω	
R3874	ERJ3GEYJ153V	S.M.CARB	0.1W	5%	15K Ω	
R5001	ERJ3GEYJ473V	S.M.CARB	0.1W	5%	47K Ω	
R5002	ERJ3GEYJ220V	SMD	0.1W	5%	22 Ω	
R5003	ERJ3GEYJ220V	SMD	0.1W	5%	22 Ω	
R5004	ERJ3GEYJ472V	S.M.CARB	0.1W	5%	4K7 Ω	
R5005	ERJ3GEYJ472V	S.M.CARB	0.1W	5%	4K7 Ω	
R5006	ERJ3GEYJ472V	S.M.CARB	0.1W	5%	4K7 Ω	
R5008	ERJ3GEYJ220V	SMD	0.1W	5%	22 Ω	
R5009	ERJ3GEYJ102V	S.M.CARB	0.1W	5%	1K Ω	
R5010	ERJ3GEYJ203V	SMD	0.1W	5%	20K Ω	
R5013	ERJ3GEYJ472V	S.M.CARB	0.1W	5%	4K7 Ω	
R5015	ERJ3GEYJ473V	S.M.CARB	0.1W	5%	47K Ω	
R5016	ERJ3GEYJ220V	SMD	0.1W	5%	22 Ω	
R5017	ERJ3GEYJ220V	SMD	0.1W	5%	22 Ω	
R5018	ERJ3GEYJ472V	S.M.CARB	0.1W	5%	4K7 Ω	
R5019	ERJ3GEYJ472V	S.M.CARB	0.1W	5%	4K7 Ω	
R5020	ERJ3GEYJ472V	S.M.CARB	0.1W	5%	4K7 Ω	
R5022	ERJ3GEYJ220V	SMD	0.1W	5%	22 Ω	
R5023	ERJ3GEYJ102V	S.M.CARB	0.1W	5%	1K Ω	
R5024	ERJ3GEYJ203V	SMD	0.1W	5%	20K Ω	
R5027	ERJ3GEYJ472V	S.M.CARB	0.1W	5%	4K7 Ω	
R5028	ERJ3GEYJ220V	SMD	0.1W	5%	22 Ω	
R5031	ERJ3GEY0R00V	S.M.CARB	0.1W	-	0 Ω	
R5032	ERJ3GEY0R00V	S.M.CARB	0.1W	-	0 Ω	
R5033	ERJ2GEJ2R7X	SMD	.063W	5%	2R7 Ω	
R5034	ERJ2GEJ2R7X	SMD	.063W	5%	2R7 Ω	
R5035	ERJ2GEJ2R7X	SMD	.063W	5%	2R7 Ω	
R5036	ERJ2GEJ2R7X	SMD	.063W	5%	2R7 Ω	
R5037	ERJ2GEJ2R7X	SMD	.063W	5%	2R7 Ω	
R5038	ERJ2GEJ2R7X	SMD	.063W	5%	2R7 Ω	
R5039	ERJ2GEJ2R7X	SMD	.063W	5%	2R7 Ω	
R5040	ERJ2GEJ2R7X	SMD	.063W	5%	2R7 Ω	
R5041	ERJ2GEJ2R7X	SMD	.063W	5%	2R7 Ω	
R5042	ERJ2GEJ2R7X	SMD	.063W	5%	2R7 Ω	
R5043	ERJ2GEJ2R7X	SMD	.063W	5%	2R7 Ω	
R5044	ERJ2GEJ2R7X	SMD	.063W	5%	2R7 Ω	

Cct Ref	Parts Number	Description			
R5045	ERJ2GEJ2R7X	SMD	.063W	5%	2R7 Ω
R5046	ERJ2GEJ2R7X	SMD	.063W	5%	2R7 Ω
R5047	ERJ2GEJ2R7X	SMD	.063W	5%	2R7 Ω
R5048	ERJ2GEJ2R7X	SMD	.063W	5%	2R7 Ω
R5049	ERJ3GEYJ101V	S.M.CARB	0.1W	5%	100 Ω
R5050	ERJ3GEYJ220V	SMD	0.1W	5%	22 Ω
R5051	ERJ3GEYJ472V	S.M.CARB	0.1W	5%	4K7 Ω
R5052	ERJ3GEYJ220V	SMD	0.1W	5%	22 Ω
R5054	ERJ3GEYJ472V	S.M.CARB	0.1W	5%	4K7 Ω
R5056	ERJ3GEYJ103V	S.M.CARB	0.1W	5%	10K Ω
R5057	ERJ3GEYJ472V	S.M.CARB	0.1W	5%	4K7 Ω
R5058	ERJ3GEYJ101V	S.M.CARB	0.1W	5%	100 Ω
R5059	ERJ3GEYJ472V	S.M.CARB	0.1W	5%	4K7 Ω
R5060	ERJ3GEYJ220V	SMD	0.1W	5%	22 Ω
R5061	ERJ3GEYJ220V	SMD	0.1W	5%	22 Ω
R5066	ERJ3GEYJ272V	S.M.CARB	0.1W	5%	2K7 Ω
R5067	ERJ3GEYJ272V	S.M.CARB	0.1W	5%	2K7 Ω
R5068	ERJ3GEYJ103V	S.M.CARB	0.1W	5%	10K Ω
R5069	ERJ3GEYJ103V	S.M.CARB	0.1W	5%	10K Ω
R5070	ERJ3GEYJ103V	S.M.CARB	0.1W	5%	10K Ω
R5071	ERJ3GEYJ103V	S.M.CARB	0.1W	5%	10K Ω
R5072	ERJ3GEYJ220V	SMD	0.1W	5%	22 Ω
R5073	ERJ3GEYJ220V	SMD	0.1W	5%	22 Ω
R5074	ERJ3GEYJ220V	SMD	0.1W	5%	22 Ω
R5075	ERJ3GEYJ220V	SMD	0.1W	5%	22 Ω
R5076	ERJ3GEYJ220V	SMD	0.1W	5%	22 Ω
R5077	ERJ3GEYJ220V	SMD	0.1W	5%	22 Ω
R5080	EXB38V330JV	CHIP RES	.063W	5%	33 Ω
R5081	ERJ3GEYJ102V	S.M.CARB	0.1W	5%	1K Ω
R5084	ERJ2GEJ330X	SMD	.063W	5%	33 Ω
R5085	ERJ3GEYJ105V	SMD	1W	5%	1M Ω
R5086	ERJ3GEYJ821V	S.M.CARB	0.1W	5%	820 Ω
R5088	ERJ3GEYJ472V	S.M.CARB	0.1W	5%	4K7 Ω
R5089	ERJ3GEYJ103V	S.M.CARB	0.1W	5%	10K Ω
R5090	ERJ3GEYJ102V	S.M.CARB	0.1W	5%	1K Ω
R5091	ERJ3GEYJ102V	S.M.CARB	0.1W	5%	1K Ω
R5092	ERJ3GEYJ560V	S.M.CARB	0.1W	5%	56 Ω
R5093	ERJ3GEYJ472V	S.M.CARB	0.1W	5%	4K7 Ω
R5095	ERJ3GEYJ472V	S.M.CARB	0.1W	5%	4K7 Ω
R5096	ERJ3GEYJ330V	SMD	0.1W	5%	33 Ω
R5097	EXB2HV330JV	CHIP RES	.063W	5%	33 Ω
R5098	EXB2HV330JV	CHIP RES	.063W	5%	33 Ω
R5099	EXB2HV330JV	CHIP RES	.063W	5%	33 Ω
R5100	ERJ3GEY0R00V	S.M.CARB	0.1W	-	0 Ω
R5109	ERJ3GEY0R00V	S.M.CARB	0.1W	-	0 Ω
R5110	ERJ3GEYJ472V	S.M.CARB	0.1W	5%	4K7 Ω
R5112	ERJ3GEY0R00V	S.M.CARB	0.1W	-	0 Ω
R5113	ERJ3GEYJ472V	S.M.CARB	0.1W	5%	4K7 Ω
R5114	ERJ3GEYJ472V	S.M.CARB	0.1W	5%	4K7 Ω
R5117	ERJ3GEYJ472V	S.M.CARB	0.1W	5%	4K7 Ω
R5118	ERJ3GEYJ472V	S.M.CARB	0.1W	5%	4K7 Ω
R5119	ERJ3GEYJ472V	S.M.CARB	0.1W	5%	4K7 Ω
R5120	ERJ3GEYJ472V	S.M.CARB	0.1W	5%	4K7 Ω
CAPACITORS					
C100	ECA1CM100B	ELECT	16V		10μF
C101	ECJ2VB1H102K	S.M.CAP	50V		1nF
C102	ECJ2FB1H104K	S.M.CAP	50V		100nF
C109	ECJ2FB1H104K	S.M.CAP	50V		100nF
C110	ECJ2VB1H103K	S.M.CAP	50V		10nF
C113	ECJ2VF1H104Z	S.M.CAP	50V		100nF
C121	ECA1HHGR33B	ELECT	50V		0.33μF
C123	ECJ1VB1H102K	S.M.CAP	50V		1nF
C127	ECJ2VF1H104Z	S.M.CAP	50V		100nF
C128	ECA1CHG221B	ELECT	16V		220μF
C129	ECJ1VC1H220J	S.M.CAP	50V		22pF
C130	ECJ1VC1H560J	S.M.CAP	50V		56pF

Cct Ref	Parts Number	Description			
C131	ECJ2VF1H104Z	S.M.CAP	50V		100nF
C202	ECJ1VB1H102K	S.M.CAP	50V		1nF
C203	ECJ2FB1E224K	S.M.CAP	25V		220nF
C204	ECJ1VB1H222K	S.M.CAP	50V		2.2nF
C205	ECJ1VB1H222K	S.M.CAP	50V		2.2nF
C206	ECJ2VB1H153K	S.M.CAP	50V		15nF
C207	ECJ1VB1H222K	S.M.CAP	50V		2.2nF
C208	F2A1E470A211	ELECT	25V		47μF
C209	ECJ1VB1H221K	S.M.CAP	50V		220pF
C210	ECJ2FB1H104K	S.M.CAP	50V		100nF
C211	ECJ1VB1H221K	S.M.CAP	50V		220pF
C212	ECA1HHG2R2B	ELECT	50V		220pF
C215	ECJ2FB1E224K	S.M.CAP	25V		220nF
C216	EEUFC1C102SB	ELECT	16V		1000μF
C217	ECJ2FB1H104K	S.M.CAP	50V		100nF
C218	ECJ2FB1H104K	S.M.CAP	50V		100nF
C219	ECJ1VB1H102K	S.M.CAP	50V		1nF
C220	ECJ2FB1E224K	S.M.CAP	25V		220nF
C221	ECJ1VB1H222K	S.M.CAP	50V		2.2nF
C222	ECJ1VB1H222K	S.M.CAP	50V		2.2nF
C223	ECJ2VB1H153K	S.M.CAP	50V		15nF
C224	ECJ1VB1H222K	S.M.CAP	50V		2.2nF
C225	F2A1E470A211	ELECT	25V		47μF
C226	ECJ1VB1H221K	S.M.CAP	50V		220pF
C227	ECJ2FB1H104K	S.M.CAP	50V		100nF
C228	ECJ1VB1H221K	S.M.CAP	50V		220pF
C229	ECA1HHG2R2B	ELECT	50V		220pF
C232	ECJ2FB1E224K	S.M.CAP	25V		220nF
C233	EEUFC1C102SB	ELECT	16V		1000μF
C234	ECJ2FB1H104K	S.M.CAP	50V		100nF
C235	ECJ1VB1H153K	S.M.CAP	50V		15nF
C236	ECJ1VB1H153K	S.M.CAP	50V		15nF
C237	F2A1V4710040	ELECT	35V		470μF
C238	ECJ2FB1H104K	S.M.CAP	50V		100nF
C239	ECQV1H334JL3	FILM	50V		330nF
C240	ECQV1H334JL3	FILM	50V		330nF
C252	ECA1VHG331B	ELECT	35V		330pF
C253	EEAGA1H4R7B	ELECT	50V		4.7μF
C254	EEAGA1H4R7B	ELECT	50V		4.7μF
C255	ECA1HHG2R2B	ELECT	50V		4.7μF
C270	ECJ2VB1H102K	S.M.CAP	50V		1nF
C271	ECJ2VB1H102K	S.M.CAP	50V		1nF
C273	ECA1HHG010B	ELECT	50V		1μF
C274	ECA1HHG010B	ELECT	50V		1μF
C275	MZA1VS331MJ4	ELECT	35V		330μF
C276	ECA1HHG470B	ELECT	50V		47μF
C277	ECA1HHG010B	ELECT	50V		1μF
C278	ECA1HHG010B	ELECT	50V		1μF
C279	ECJ1VC1H101J	S.M.CAP	50V		100pF
C280	ECJ1VC1H101J	S.M.CAP	50V		100pF
C281	ECA1HHG100B	ELECT	50V		10μF
C282	ECA1CHG101B	ELECT	16V		100μF
C801	KMQ2WL151MDB	ELECT	450V		150μF
C802	ECQU2A224MLA	FILM	275V		220nF
C803	ECKCNA221KB7	CERAMIC	400V		220pF
C804	ECKCNA221KB7	CERAMIC	400V		220pF
C805	ECQU2A224MLA	FILM	275V		220nF
C808	ECQU2A224MLA	FILM	275V		220nF
C809	KMQ2WL151MDB	ELECT	450V		150μF
C810	ECQU2A224MLA	FILM	275V		220nF
C813	ECKWBE472ZER	CERAMIC	250V		4.7nF
C814	ECKWBE472ZER	CERAMIC	250V		4.7nF
C815	ECKWBE472ZER	CERAMIC	250V		4.7nF
C816	ECKWBE472ZER	CERAMIC	250V		4.7nF
C817	ECJ1VB1C105K	SMD	16V		1000nF
C818	ECQV1J105JM3	FILM	63V		1μF

Cct Ref	Parts Number	Description		
C820	ECA1HHG101B	ELECT	50V	100µF
C821	ECJ2VB1H223K	S.M.CAP	50V	22nF
C822	EEUFC1J221B	ELECT	63V	220µF
C823	ECJ2VF1H224Z	S.M.CAP	50V	220nF
C824	ECJ2VF1C104Z	S.M.CAP	16V	100nF
C825	ECJ2VF1C104Z	S.M.CAP	16V	100nF
C826	ECJ2FB1E224K	S.M.CAP	25V	220nF
C827	ECQV1H824JL3	FILM	50V	820nF
C828	ECWF6473HLB	FILM	630V	47nF
C829	ECQU2A224MLA	FILM	275V	220nF
C830	ECEA1CKN4R7B	ELECT	16V	4R7µF
C831	ECJ2VB1H272K	S.M.CAP	50V	2.7nF
C832	ECKCNA152ME7	CERAMIC	400V	1.5nF
C845	ECEA1HKA4R7B	ELECT	50V	4.7µF
C846	ECJ2VB1H331K	S.M.CAP	50V	330pF
C847	ECKW3D271JBR	CERAMIC	2kV	270pF
C851	KZH1VV182MT5	ELECT	35V	1800µF
C852	KZH1VV182MT5	ELECT	35V	1800µF
C855	EEUFM1V681B	ELECT	35V	680µF
C856	KZH1VV182MT5	ELECT	35V	1800µF
C857	EEUFM1V681B	ELECT	35V	680µF
C858	ECJ2FB1H104K	S.M.CAP	50V	100nF
C859	ECQV1H474JL3	FILM	50V	470nF
C863	ECJ1VB1C105K	SMD	16V	1000nF
C864	ECJ1VB0J225K	S.M.CAP	6.3V	2.2µF
C867	ECJ1VB1H104K	S.M.CAP	50V	100nF
C868	EEFCD0J470ER	ELECT	6.3V	47µF
C869	MZA1VS331MJ4	ELECT	35V	330µF
C870	EEUEB1H100SB	ELECT	50V	10µF
C871	ECJ1VC1H102J	S.M.CAP	50V	1nF
C872	EEUEB1E470SB	ELECT	25V	47µF
C873	ECJ1VB1H102K	S.M.CAP	50V	1nF
C874	ECJ1VB1H104K	S.M.CAP	50V	100nF
C875	ECJ1VB1H222K	S.M.CAP	50V	2.2nF
C876	ECJ1VB1H103K	S.M.CAP	50V	10nF
C877	ECJ2FB1H473K	S.M.CAP	50V	47nF
C878	EEUEB1H100SB	ELECT	50V	10µF
C879	ECJ2FB1E224K	S.M.CAP	25V	220nF
C880	ECJ2FB1E224K	S.M.CAP	25V	220nF
C881	MZA1VS331MJ4	ELECT	35V	330µF
C882	ECJ2VB1H103K	S.M.CAP	50V	10nF
C883	EEFUE0J181ER	ELECT	6.3V	180µF
C884	ECJ2VC1H470J	S.M.CAP	50V	47pF
C885	ECJ1VB1E473K	S.M.CAP	25V	47nF
C886	ECJ1VB1H102K	S.M.CAP	50V	1nF
C887	PXA1DS820MJA	ELECT	20V	82µF
C888	ECJ2VB1E104K	S.M.CAP	25V	100nF
C889	EEFCD0J470ER	ELECT	6.3V	47µF
C890	ECJ3YB1E106M	S.M.CAP	25V	10µF
C891	ECJ1VB1C105K	SMD	16V	1000nF
C892	ECJ3YB1E106M	S.M.CAP	25V	10µF
C893	ECJ2FB1E105K	S.M.CAP	25V	1µF
C894	ECJ2FB1E105K	S.M.CAP	25V	1µF
C895	ECJ1VB1H222K	S.M.CAP	50V	2.2nF
C896	ECJ1VB1H471K	S.M.CAP	50V	470pF
C1052	ECJ2FB1H104K	S.M.CAP	50V	100nF
C1053	ECEA1CKA470B	ELECT	16V	47µF
C1054	ECJ2VC1H270J	S.M.CAP	50V	27pF
C1060	ECJ1VB0J105K	S.M.CAP	6.3V	1µF
C1206	EEUEB1H100SB	ELECT	50V	10µF
C1207	ECJ2VF1C104Z	S.M.CAP	16V	100nF
C1209	ECJ2VF1C105Z	S.M.CAP	16V	1µF
C1211	ECJ1VC1H221J	S.M.CAP	50V	220pF
C1212	ECJ0EB1A104K	S.M.CAP	10V	100nF
C1223	ECJ2VB1C104K	S.M.CAP	16V	100nF
C1224	ECJ1VC1H221J	S.M.CAP	50V	220pF

Cct Ref	Parts Number	Description		
C1225	ECJ1VC1H221J	S.M.CAP	50V	220pF
C1380	ECJ2FF1A475Z	S.M.CAP	10V	4.7µF
C1381	F1H1C104A041	CERAMIC	16V	100nF
C1382	ECJ2FF1A475Z	S.M.CAP	10V	4.7µF
C1383	ECJ2FF1A475Z	S.M.CAP	10V	4.7µF
C1384	F1H1C104A041	CERAMIC	16V	100nF
C1385	F1H1C104A041	CERAMIC	16V	100nF
C1386	ECJ2FF1A475Z	S.M.CAP	10V	4.7µF
C1387	ECJ2FF1A475Z	S.M.CAP	10V	4.7µF
C1388	F2G1C470A022	ELECT	16V	47µF
C1389	F1H1H103A219	CERAMIC	50V	10nF
C1390	F2G0J470A019	ELECT	6.3V	47µF
C1391	F1H1H103A219	CERAMIC	50V	10nF
C1392	ECJ0EC1H181J	S.M.CAP	50V	180pF
C1393	ECJ0EC1H181J	S.M.CAP	50V	180pF
C1394	ECJ0EC1H330J	S.M.CAP	50V	33pF
C1395	ECJ0EC1H330J	S.M.CAP	50V	33pF
C1500	EEAGA1C100B	ELECT	16V	10µF
C1501	EEUEB1H100SB	ELECT	50V	10µF
C1502	EEFUE0J181ER	ELECT	6.3V	180µF
C1503	EEUEB1H100SB	ELECT	50V	10µF
C1504	EEAGA1C100B	ELECT	16V	10µF
C1505	EEUEB1V330SB	ELECT	35V	33µF
C1506	EEUEB1H100SB	ELECT	50V	10µF
C1507	EEUEB1H100SB	ELECT	50V	10µF
C1508	ECJ1VF1E104Z	S.M.CAP	25V	100nF
C1509	ECJ1VF1E104Z	S.M.CAP	25V	100nF
C1510	ECJ1VF1E104Z	S.M.CAP	25V	100nF
C1511	ECJ1VF1E104Z	S.M.CAP	25V	100nF
C1512	ECJ1VF1E104Z	S.M.CAP	25V	100nF
C1513	ECJ1VF1E104Z	S.M.CAP	25V	100nF
C1514	ECJ1VF1E104Z	S.M.CAP	25V	100nF
C1515	ECJ1VF1E104Z	S.M.CAP	25V	100nF
C1516	ECJ1VF1E104Z	S.M.CAP	25V	100nF
C1517	ECJ1VC1H102J	S.M.CAP	50V	1nF
C1518	ECJ1VF1E104Z	S.M.CAP	25V	100nF
C1519	ECJ1VF1E104Z	S.M.CAP	25V	100nF
C1520	ECJ1VC1H102J	S.M.CAP	50V	1nF
C1521	ECJ1VF1E104Z	S.M.CAP	25V	100nF
C1522	ECJ1VF1E104Z	S.M.CAP	25V	100nF
C1523	ECJ1VF1A105Z	S.M.CAP	10V	1µF
C1524	ECJ1VF1E104Z	S.M.CAP	25V	100nF
C1525	ECJ1VF1E104Z	S.M.CAP	25V	100nF
C1526	ECJ1VF1E104Z	S.M.CAP	25V	100nF
C1527	ECJ1VF1E104Z	S.M.CAP	25V	100nF
C1528	EEUEB1H100SB	ELECT	50V	10µF
C1529	ECJ1VF1A105Z	S.M.CAP	10V	1µF
C1530	ECJ1VF1E104Z	S.M.CAP	25V	100nF
C1532	ECJ2VB1C104K	S.M.CAP	16V	100nF
C1539	ECJ3YB1A106M	S.M.CAP	10V	10µF
C1540	EEAGA1C100B	ELECT	16V	10µF
C1541	F2G1C100A022	ELECT	16V	10µF
C1546	ECJ2FB1C474K	S.M.CAP	16V	470nF
C1547	ECJ2FB1C474K	S.M.CAP	16V	470nF
C1548	ECJ2FB1C474K	S.M.CAP	16V	470nF
C1549	ECJ2FB1C474K	S.M.CAP	16V	470nF
C1550	ECJ2FB1C474K	S.M.CAP	16V	470nF
C1551	ECJ2FB1C474K	S.M.CAP	16V	470nF
C1552	ECJ2FB1C474K	S.M.CAP	16V	470nF
C1553	ECJ2FB1C474K	S.M.CAP	16V	470nF
C1554	EEEBH1H3R3R	ELECT	50V	3.3µF
C1559	ECJ1VB1C104K	S.M.CAP	16V	100nF
C1560	ECJ1VF1E104Z	S.M.CAP	25V	100nF
C1561	ECJ1VC1H560J	S.M.CAP	50V	56pF
C1562	ECJ1VC1H560J	S.M.CAP	50V	56pF
C1563	ECJ1VB1H102K	S.M.CAP	50V	1nF

Cct Ref	Parts Number	Description			
C1564	ECJ1VB1H102K	S.M.CAP	50V	1nF	
C1565	ECJ1VC1H220J	S.M.CAP	50V	22pF	
C1566	ECJ1VC1H220J	S.M.CAP	50V	22pF	
C1567	EEEHB1E100R	ELECT	25V	10μF	
C1568	EEEHB1E100R	ELECT	25V	10μF	
C1569	EEUEB1H220SB	ELECT	50V	20μF	
C1570	ECJ1VB1H102K	S.M.CAP	50V	1nF	
C1571	ECJ1VB1H102K	S.M.CAP	50V	1nF	
C1572	ECJ1VB1C104K	S.M.CAP	16V	100nF	
C1573	ECJ1VB1C104K	S.M.CAP	16V	100nF	
C1574	ECJ1VB1C104K	S.M.CAP	16V	100nF	
C1575	ECJ1VB1C104K	S.M.CAP	16V	100nF	
C1576	ECJ1VB1C104K	S.M.CAP	16V	100nF	
C1577	ECJ1VB1C104K	S.M.CAP	16V	100nF	
C1578	ECJ1VB1C104K	S.M.CAP	16V	100nF	
C1579	ECJ1VB1C104K	S.M.CAP	16V	100nF	
C1580	ECJ1VB1C104K	S.M.CAP	16V	100nF	
C1581	ECJ1VB1C104K	S.M.CAP	16V	100nF	
C1582	ECJ1VB1C104K	S.M.CAP	16V	100nF	
C1583	ECJ1VB1C104K	S.M.CAP	16V	100nF	
C1584	ECJ1VB1C104K	S.M.CAP	16V	100nF	
C1585	ECJ1VB1C104K	S.M.CAP	16V	100nF	
C1586	ECJ1VB1C104K	S.M.CAP	16V	100nF	
C1587	ECJ1VB1C104K	S.M.CAP	16V	100nF	
C1590	EEUEB1H4R7SB	ELECT	50V	4.7μF	
C1591	ECJ2FB0J106M	S.M.CAP	6.3V	10μF	
C1593	ECJ2FB0J106M	S.M.CAP	6.3V	10μF	
C1596	ECJ2FB0J106M	S.M.CAP	6.3V	10μF	
C1700	EEUEB1H2R2SB	ELECT	50V	2.2μF	
C1701	ECJ1VF1E104Z	S.M.CAP	25V	100nF	
C3002	ECJ1VB1H102K	S.M.CAP	50V	1nF	
C3003	ECJ1VB1H102K	S.M.CAP	50V	1nF	
C3004	ECJ1VC1H561J	S.M.CAP	50V	560pF	
C3005	ECJ1VC1H561J	S.M.CAP	50V	560pF	
C3021	ECJ1VC1H561J	S.M.CAP	50V	560pF	
C3022	ECJ1VC1H561J	S.M.CAP	50V	560pF	
C3023	ECJ1VC1H560J	S.M.CAP	50V	56pF	
C3024	ECJ1VC1H121J	S.M.CAP	50V	120pF	
C3025	ECJ1VC1H560J	S.M.CAP	50V	56pF	
C3026	ECJ1VC1H121J	S.M.CAP	50V	120pF	
C3027	ECJ1VC1H560J	S.M.CAP	50V	56pF	
C3028	ECJ1VC1H121J	S.M.CAP	50V	120pF	
C3031	ECJ1VC1H560J	S.M.CAP	50V	56pF	
C3032	ECJ1VC1H560J	S.M.CAP	50V	56pF	
C3033	ECJ1VC1H560J	S.M.CAP	50V	56pF	
C3052	ECJ1VC1H561J	S.M.CAP	50V	560pF	
C3053	ECJ1VB1H102K	S.M.CAP	50V	1nF	
C3054	ECJ1VB1H102K	S.M.CAP	50V	1nF	
C3055	ECJ1VC1H561J	S.M.CAP	50V	560pF	
C3201	ECJ1VB1C104K	S.M.CAP	16V	100nF	
C3202	ECJ1VB1C104K	S.M.CAP	16V	100nF	
C3204	EEEHP0J470P	ELECT	6.3V	47μF	
C3205	EEEHP0J470P	ELECT	6.3V	47μF	
C3301	ECJ2FB1C474K	S.M.CAP	16V	470nF	
C3302	ECJ2FB1C474K	S.M.CAP	16V	470nF	
C3303	ECJ2FB1C474K	S.M.CAP	16V	470nF	
C3305	ECJ2VF1H104Z	S.M.CAP	50V	100nF	
C3306	ECJ3YB1C106M	S.M.CAP	16V	10μF	
C3307	ECA1HHG220B	ELECT	50V	22μF	
C3308	ECJ2FB1C474K	S.M.CAP	16V	470nF	
C3309	ECJ2FB1C474K	S.M.CAP	16V	470nF	
C3310	ECJ2FB1C474K	S.M.CAP	16V	470nF	
C3312	ECJ3YB1C475K	S.M.CAP	16V	4.7μF	
C3313	ECJ3YB1C475K	S.M.CAP	16V	4.7μF	
C3314	ECJ3YB1C106M	S.M.CAP	16V	10μF	
C3315	ECJ2FB1C474K	S.M.CAP	16V	470nF	

Cct Ref	Parts Number	Description			
C3316	ECJ2FB1C474K	S.M.CAP	16V	470nF	
C3318	ECJ3YB1C106M	S.M.CAP	16V	10μF	
C3320	ECJ3YB1C106M	S.M.CAP	16V	10μF	
C3329	ECA1HHG470B	ELECT	50V	47μF	
C3336	ECJ2FB1C474K	S.M.CAP	16V	470nF	
C3337	ECJ2FB1C474K	S.M.CAP	16V	470nF	
C3600	ECJ2VC1H561J	S.M.CAP	50V	560pF	
C3601	ECJ2VC1H561J	S.M.CAP	50V	560pF	
C3602	ECJ2VB1H561K	S.M.CAP	50V	560pF	
C3603	ECJ2VB1H103K	S.M.CAP	50V	10nF	
C3604	ECEA1HKA4R7B	ELECT	50V	4.7μF	
C3605	ECJ2VB1H561K	S.M.CAP	50V	560pF	
C3606	ECJ2VB1H103K	S.M.CAP	50V	10nF	
C3607	ECEA1HKA4R7B	ELECT	50V	4.7μF	
C3817	F2A1V4710040	ELECT	35V	470μF	
C3850	EEUEB1H100SB	ELECT	50V	10μF	
C3851	EEUEB1E101SB	ELECT	25V	100μF	
C3852	ECJ2VB1E104K	S.M.CAP	25V	100nF	
C3860	EEUEB1H100SB	ELECT	50V	10μF	
C5000	ECJ2FF1C475Z	S.M.CAP	16V	4.7μF	
C5001	ECJ1VB1C104K	S.M.CAP	16V	100nF	
C5002	ECJ1VC1H101J	S.M.CAP	50V	100pF	
C5003	ECJ1VF1A225Z	S.M.CAP	10V	2.2μF	
C5004	F1H1A1050002	CERAMIC	10V	1μF	
C5005	ECJ1VB1C104K	S.M.CAP	16V	100nF	
C5006	ECJ1VC1H471J	S.M.CAP	50V	470pF	
C5007	F1H1A1050002	CERAMIC	10V	1μF	
C5008	ECJ1VB1C104K	S.M.CAP	16V	100nF	
C5009	ECJ2FF1A106Z	S.M.CAP	10V	10μF	
C5010	ECJ1VB1C104K	S.M.CAP	16V	100nF	
C5011	ECJ1VB1C104K	S.M.CAP	16V	100nF	
C5012	ECJ1VB1C104K	S.M.CAP	16V	100nF	
C5013	ECJ1VB1C104K	S.M.CAP	16V	100nF	
C5014	ECJ1VB1C104K	S.M.CAP	16V	100nF	
C5015	ECJ1VB1C104K	S.M.CAP	16V	100nF	
C5016	ECJ1VB1C104K	S.M.CAP	16V	100nF	
C5017	ECJ1VB1C104K	S.M.CAP	16V	100nF	
C5018	F1H1H102A219	CERAMIC	50V	1nF	
C5019	ECJ1VB1C104K	S.M.CAP	16V	100nF	
C5020	F1H1H102A219	CERAMIC	50V	1nF	
C5021	ECJ2FF1A106Z	S.M.CAP	10V	10μF	
C5022	F1H1H102A219	CERAMIC	50V	1nF	
C5023	F1H1H102A219	CERAMIC	50V	1nF	
C5024	ECJ1VB1C104K	S.M.CAP	16V	100nF	
C5025	F1H1H102A219	CERAMIC	50V	1nF	
C5026	ECJ1VB1C104K	S.M.CAP	16V	100nF	
C5027	F1H1H102A219	CERAMIC	50V	1nF	
C5028	F1H1H102A219	CERAMIC	50V	1nF	
C5029	F1H1H102A219	CERAMIC	50V	1nF	
C5030	F1H1H102A219	CERAMIC	50V	1nF	
C5031	F1H1H102A219	CERAMIC	50V	1nF	
C5032	ECJ2FF1A106Z	S.M.CAP	10V	10μF	
C5033	ECJ2FF1A106Z	S.M.CAP	10V	10μF	
C5034	ECJ2FF1A106Z	S.M.CAP	10V	10μF	
C5035	ECJ2FF1A106Z	S.M.CAP	10V	10μF	
C5036	ECJ1VB1C104K	S.M.CAP	16V	100nF	
C5037	ECJ1VB1C104K	S.M.CAP	16V	100nF	
C5038	ECJ1VB1C104K	S.M.CAP	16V	100nF	
C5039	ECJ1VB1C104K	S.M.CAP	16V	100nF	
C5040	ECJ1VB1C104K	S.M.CAP	16V	100nF	
C5041	ECJ1VB1C104K	S.M.CAP	16V	100nF	
C5042	ECJ1VB1C104K	S.M.CAP	16V	100nF	
C5043	ECJ1VB1C104K	S.M.CAP	16V	100nF	
C5044	ECJ1VB1C104K	S.M.CAP	16V	100nF	
C5045	ECJ1VB1C104K	S.M.CAP	16V	100nF	
C5046	ECJ1VB1C104K	S.M.CAP	16V	100nF	

Cct Ref	Parts Number	Description		
C5047	ECJ1VB1C104K	S.M.CAP	16V	100nF
C5048	ECJ1VB1C104K	S.M.CAP	16V	100nF
C5049	ECJ1VB1C104K	S.M.CAP	16V	100nF
C5050	ECJ1VB1C104K	S.M.CAP	16V	100nF
C5051	ECJ1VB1C104K	S.M.CAP	16V	100nF
C5052	F1H1H102A219	CERAMIC	50V	1nF
C5053	F1H1H102A219	CERAMIC	50V	1nF
C5054	F1H1H102A219	CERAMIC	50V	1nF
C5055	F1H1H102A219	CERAMIC	50V	1nF
C5056	F1H1H102A219	CERAMIC	50V	1nF
C5057	F1H1H102A219	CERAMIC	50V	1nF
C5058	F1H1H102A219	CERAMIC	50V	1nF
C5059	F1H1H102A219	CERAMIC	50V	1nF
C5060	F1H1H102A219	CERAMIC	50V	1nF
C5061	F1H1H102A219	CERAMIC	50V	1nF
C5062	F1H1H102A219	CERAMIC	50V	1nF
C5063	F1H1H102A219	CERAMIC	50V	1nF
C5064	F1H1H102A219	CERAMIC	50V	1nF
C5065	F1H1H102A219	CERAMIC	50V	1nF
C5066	F1H1H102A219	CERAMIC	50V	1nF
C5067	F1H1H102A219	CERAMIC	50V	1nF
C5068	ECJ1VB1C104K	S.M.CAP	16V	100nF
C5069	F1H1A1050002	CERAMIC	10V	1µF
C5070	ECJ1VB1C104K	S.M.CAP	16V	100nF
C5071	ECJ1VB1C104K	S.M.CAP	16V	100nF
C5072	F1H1H102A219	CERAMIC	50V	1nF
C5073	ECJ1VB1C103K	S.M.CAP	16V	10nF
C5074	F1H1H102A219	CERAMIC	50V	1nF
C5075	F1H1A1050002	CERAMIC	10V	1µF
C5076	ECJ1VB1C104K	S.M.CAP	16V	100nF
C5077	ECJ1VB1C103K	S.M.CAP	16V	10nF
C5078	ECJ1VB1C104K	S.M.CAP	16V	100nF
C5081	ECJ1VB1C104K	S.M.CAP	16V	100nF
C5084	ECJ1VB1C104K	S.M.CAP	16V	100nF
C5085	ECJ1VB1C104K	S.M.CAP	16V	100nF
C5087	ECJ1VC1H150J	S.M.CAP	50V	15pF
C5088	ECJ1VC1H150J	S.M.CAP	50V	15pF
TERMINALS AND LINKS				
A1	K1KA15AA0288	15P CONNECTOR		
A2	K1KA30AA0250	30P CONNECTOR		
A2-PANEL	TXJTA2AENE	A2-PANEL WIRE		
A4	K1KA08BA0047	8P CONNECTOR		
A5	K1KA05AA0192	5P CONNECTOR		
A6	K1KA04AA0192	4P CONNECTOR		
A6-H2	TXAJTY3BYXG	A6-H2 WIRE		
A7	K1KB23A00003	23P CONNECTOR		
A8	K1KA06AA0192	6P CONNECTOR		
A8-V2	TXAJTA8AEME	A8 - V2		
A10	K1KA03AA0192	3P CONNECTOR		
A12	K1KA08AA0192	8P CONNECTOR		
A12-H1	TXAJTM3BMWG	A12-H1 WIRE		
A13	K1KA04AA0192	4P CONNECTOR		
A13-P4	TXJ/P4AEOE	A13 - P4		
B1	K1KB15B00013	15P CONNECTOR		
B2	K1KA08BA0061	8P CONNECTOR		
H1	K1KA08BA0055	8P CONNECTOR		
H2	K1KA04BA0055	4P CONNECTOR		
JK3000	CS-116B	SCART SOCKET		
JK3001	K2HA306A0029	YUV TERMINAL		
JK3002	K2HA204A0047	AUDIO TERMINAL		
JK3050	CS-116B	SCART SOCKET		
JK3600	K4BK23B00004	AV TERMINAL		
JK5000	K1FA119D0001	HDMI CONNECTOR		
JK5001	K1FA119D0001	HDMI CONNECTOR		
K1	K1KA03A00537	3P CONNECTOR		
K3	K1KA02A00626	2P CONNECTOR		


Cct Ref	Parts Number	Description		
K3-P1	TXAJTP1AENE	P1-K3		△
P1	K1KA02A00626	2P CONNECTOR		
P2	K1KA23A00003	23P CONNECTOR		
P3	K1KA08AA0192	8P CONNECTOR		
P4	K1KA04AA0192	4P CONNECTOR		
V2	K1KA06BA0055	6P CONNECTOR		
SWITCHES				
SW800	ESB92DA1B	SWITCH		△
RELAYS				
RL850	9-1419125-7	RELAY		
DIFFERENCES FOR MODEL TX--26LX60F				
EXPLODED VIEW				
17	A-26LX60F	A P.C.B.		△
18	TNP8EBL50AD	B P.C.B.		△
19	TKU0E0156	BACK COVER		△
20	TTY0E0105	CABINET		
21	TNP8EHL50AD	H P.C.B.		△
22	TNP8EKL50AD	K P.C.B.		△
23	TKZ0E9327	LCD BOTTOM MTG		
24	L5EDD6Q00013	LCD PANEL		△
25	TKZ0E9328	LCD TOP MTG		
26	TBM0E0609	MODEL LABEL		
27	TKZ0E9325	MOUNTING METAL		
28	TNP8EPL50AD	P P.C.B.		△
MISCELLANEOUS COMPONENTS				
.	TPC0E64301	CARTON		
INSTRUCTION BOOKS				
.	TQB0E0251A	GERMAN		
.	TQB0E0251B	DUTCH		
.	TQB0E0251C	ITALIAN		
.	TQB0E0251D	FRENCH		
.	TQB0E0251E	SPANISH		
.	TQB0E0251F	SWEDISH		
.	TQB0E0251K	DANISH		
.	TQB0E0251U	ENGLISH		
I.C.s				
IC1120	GLP21/2D03F	EAROM 24C32ANSU27T		
TRANSFORMERS				
T801	ETS42LZ156AD	TRANSFORMER		△
RESISTORS				
R822	D0D2R47KA003	WOUND	2W 10%	R47 Ω
R827	D0D2R47KA003	WOUND	2W 10%	R47 Ω
CAPACITORS				
C848	ECWF6333HLB	FILM	630V	33nF
TERMINALS AND LINKS				
A5-SP	TXAJTA5AENE	A5 - SP CONNECTOR		
P3/A4-PA	TXAJTA4AEME	P3/A4-PANEL		
DIFFERENCES FOR MODEL TX--26LX60F				
EXPLODED VIEW				
17	A-26LX60F	A P.C.B.		△
18	TNP8EBL50AD	B P.C.B.		△
19	TKU0E0156	BACK COVER		△
20	TTY0E0105	CABINET		
21	TNP8EHL50AD	H P.C.B.		△
22	TNP8EKL50AD	K P.C.B.		△
23	TKZ0E9327	LCD BOTTOM MTG		
24	L5EDD6Q00013	LCD PANEL		△
25	TKZ0E9328	LCD TOP MTG		

Cct Ref	Parts Number	Description			
26	TBM0E0610	MODEL LABEL			
27	TKZ0E9325	MOUNTING METAL			
28	TNP8EPL50AD	P P.C.B.			△
MISCELLANEOUS COMPONENTS					
.	TPC0E64301	CARTON			
INSTRUCTION BOOKS					
.	TQB0E0252L	RUSSIAN			
.	TQB0E0252M	BULGARIAN			
.	TQB0E0252N	ROMANIAN			
.	TQB0E0252P	POLISH			
.	TQB0E0252Q	HUNGARIAN			
.	TQB0E0252R	CZECH			
.	TQB0E0252U	ENGLISH			
.	TQB0E0252Y	UKRAINIAN			
I.C.s					
IC1120	GLP21/2D03P	EAROM 24C32ANSU27T			
TRANSFORMERS					
T801	ETS42LZ156AD	TRANSFORMER			△
RESISTORS					
R822	D0D2R47KA003	WOUND	2W	10%	R47 Ω
R827	D0D2R47KA003	WOUND	2W	10%	R47 Ω
CAPACITORS					
C848	ECWF6333HLB	FILM	630V		33nF
TERMINALS AND LINKS					
A5-SP	TXAJTA5AEENE	A5 - SP CONNECTOR			
P3/A4-PA	TXAJTA4AEEME	P3/A4-PANEL			
DIFFERENCES FOR MODEL TX--32LX60F					
EXPLODED VIEW					
17	A-32LX60F	A P.C.B.			△
18	TNP8EBL50AC	B P.C.B.			△
19	TKU0E0155	BACK COVER			△
20	TTY0E0104	CABINET			
21	TNP8EHL50AC	H P.C.B.			△
22	TNP8EKL50AC	K P.C.B.			△
23	TKZ0E9323	LCD BOTTOM MTG			
24	L5EDD8Q00019	LCD PANEL			△
25	TKZ0E9324	LCD TOP MTG			
26	TBM0E0611	MODEL LABEL			
27	TKZ0E9321	MOUNTING METAL			
28	TNP8EPL50AC	P P.C.B.			△
MISCELLANEOUS COMPONENTS					
.	TPC0E64201	CARTON			
INSTRUCTION BOOKS					
.	TQB0E0252L	RUSSIAN			
.	TQB0E0252M	BULGARIAN			
.	TQB0E0252N	ROMANIAN			
.	TQB0E0252P	POLISH			
.	TQB0E0252Q	HUNGARIAN			
.	TQB0E0252R	CZECH			
.	TQB0E0252U	ENGLISH			
.	TQB0E0252Y	UKRAINIAN			
I.C.s					
IC1120	GLP21/3D03P	EAROM 24C32ANSU27T			
TRANSFORMERS					
T801	ETS49LM146BD	TRANSFORMER			△
RESISTORS					
R822	D0D2R33KA003	WOUND	2W	10%	R33 Ω
R827	D0D2R33KA003	WOUND	2W	10%	R33 Ω
CAPACITORS					
C848	ECWF6473HLB	FILM	630V		47nF
TERMINALS AND LINKS					
A5-SP	TXAJTA5AEEOE	A5 - SP CONNECTOR			
P3/A4-PA	TXAJTA4AEEOE	P3/A4-PANEL			

Cct Ref	Parts Number	Description			
CAPACITORS					
C848	ECWF6473HLB	FILM	630V		47nF
TERMINALS AND LINKS					
A5-SP	TXAJTA5AEEOE	A5 - SP CONNECTOR			
P3/A4-PA	TXAJTA4AEEOE	P3/A4-PANEL			
DIFFERENCES FOR MODEL TX--32LX60P					
EXPLODED VIEW					
17	A-32LX60P	A P.C.B.			△
18	TNP8EBL50AC	B P.C.B.			△
19	TKU0E0155	BACK COVER			△
20	TTY0E0104	CABINET			
21	TNP8EHL50AC	H P.C.B.			△
22	TNP8EKL50AC	K P.C.B.			△
23	TKZ0E9323	LCD BOTTOM MTG			
24	L5EDD8Q00019	LCD PANEL			△
25	TKZ0E9324	LCD TOP MTG			
26	TBM0E0612	MODEL LABEL			
27	TKZ0E9321	MOUNTING METAL			
28	TNP8EPL50AC	P P.C.B.			△
MISCELLANEOUS COMPONENTS					
.	TPC0E64201	CARTON			
INSTRUCTION BOOKS					
.	TQB0E0252L	RUSSIAN			
.	TQB0E0252M	BULGARIAN			
.	TQB0E0252N	ROMANIAN			
.	TQB0E0252P	POLISH			
.	TQB0E0252Q	HUNGARIAN			
.	TQB0E0252R	CZECH			
.	TQB0E0252U	ENGLISH			
.	TQB0E0252Y	UKRAINIAN			
I.C.s					
IC1120	GLP21/3D03P	EAROM 24C32ANSU27T			
TRANSFORMERS					
T801	ETS49LM146BD	TRANSFORMER			△
RESISTORS					
R822	D0D2R33KA003	WOUND	2W	10%	R33 Ω
R827	D0D2R33KA003	WOUND	2W	10%	R33 Ω
CAPACITORS					
C848	ECWF6473HLB	FILM	630V		47nF
TERMINALS AND LINKS					
A5-SP	TXAJTA5AEEOE	A5 - SP CONNECTOR			
P3/A4-PA	TXAJTA4AEEOE	P3/A4-PANEL			

Schematic Diagrams for models TX-32LX60F, TX-32LX60P, TX-26LX60F, TX-26LX60P (GLP21 Chassis)

IMPORTANT SAFETY NOTICE

Components identified by  mark have special characteristics important for safety. When replacing any of these components, use only manufacturers' specified parts.

NOTE

1. RESISTOR

All resistors are carbon 1/4W resistor, unless marked otherwise.

Unit of resistance is OHM (Ω) (k=1,000, M=1,000,000)

2. CAPACITORS


All capacitors are ceramic 50V unless marked otherwise.

Unit of capacitance is μ F unless otherwise stated.

3. COIL

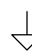
Unit of inductance is μ H, unless otherwise stated.

4. TEST POINT

 Test Point Position

5. EARTH SYMBOL

 Chassis Earth (Cold)

 Line Earth (Hot)

6. VOLTAGE MEASUREMENT

Voltage is measured by a D.C. voltmeter.


Measurement conditions are as follows:

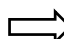
Power source a.c. 220V-240V, 50Hz

Receiving Signal Colour Bar signal (RF)

All customer controls Maximum position

7.

 Indicates the Video signal path

 Indicates the Audio signal path


These schematic diagrams are the latest at time of printing and are subject to change without notice.

REMARKS

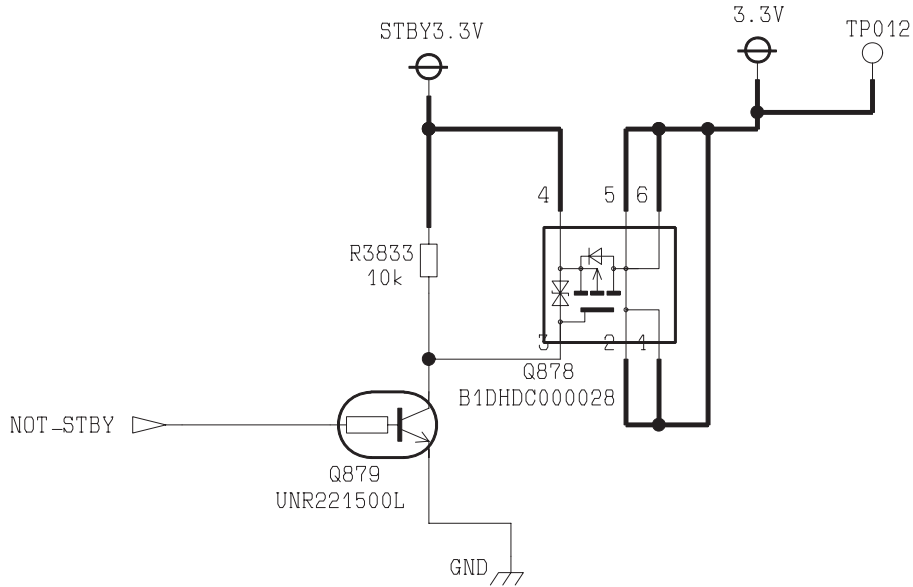
- Do not touch the hot part, or the hot and cold parts at the same time, as you are liable to a shock hazard.
- Do not short circuit the hot and cold circuits as electrical components may be damaged.
- Do not connect an instrument, such as an oscilloscope, to the hot and cold circuits simultaneously as this may cause fuse failure. Connect the earth of the instruments to the earth connection of the circuit being measured.
- Make sure to disconnect the power plug before removing the chassis.

NOTE

- The Power Supply Circuit contains a circuit area, which uses a separate power supply to isolate the earth connection. The circuit is defined by HOT and COLD indications in the schematic diagram. All circuits, except the Power Circuit, are COLD.

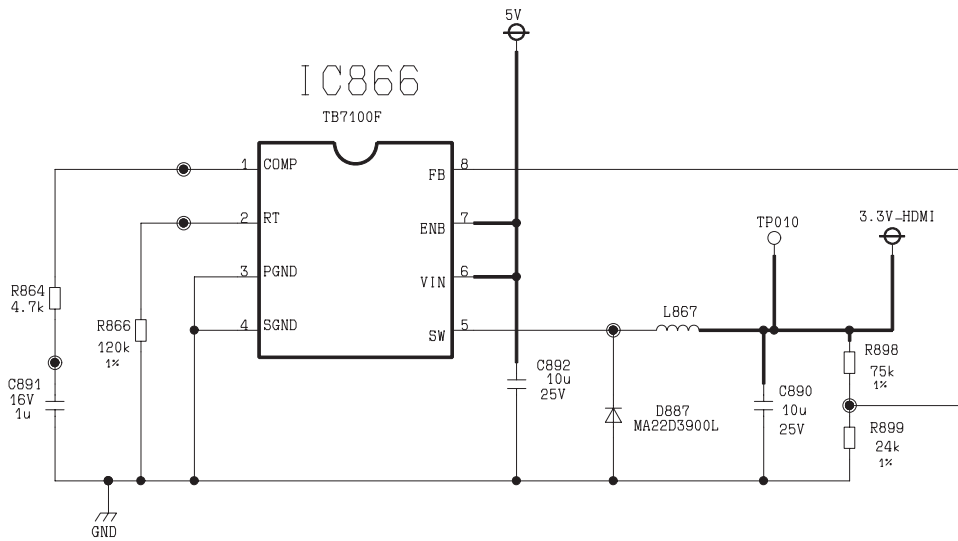
TNP8EAL40
A-BOARD 

3V3



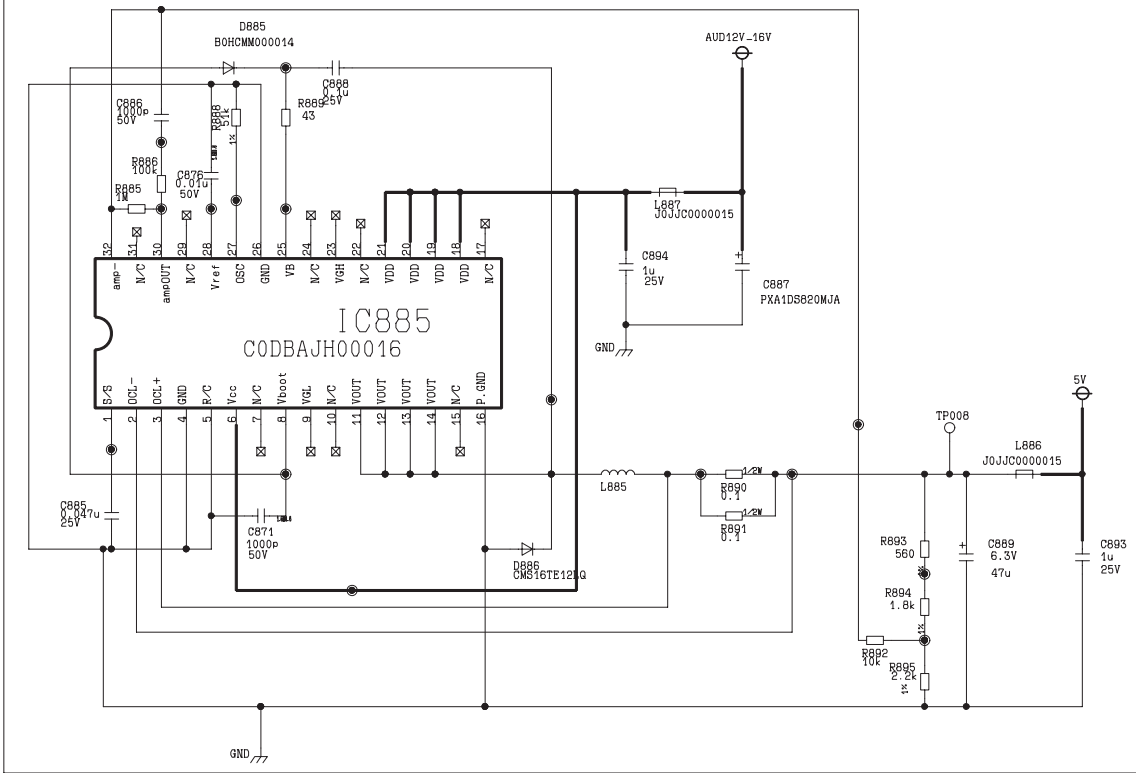
TNP8EAL40
A-BOARD 

3V3-HDMI



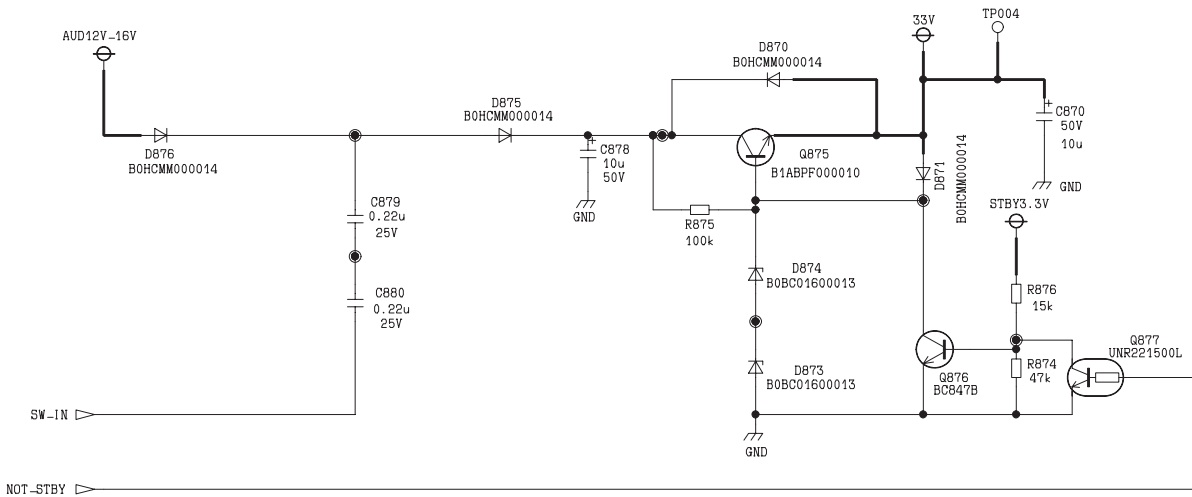
TNP8EAL40
A-BOARD ⚠

5V



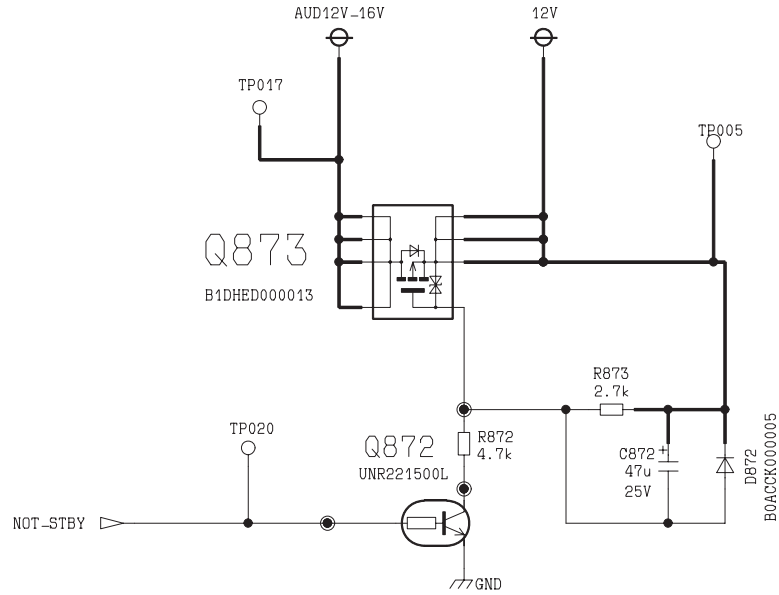
TNP8EAL40
A-BOARD ⚠

33V



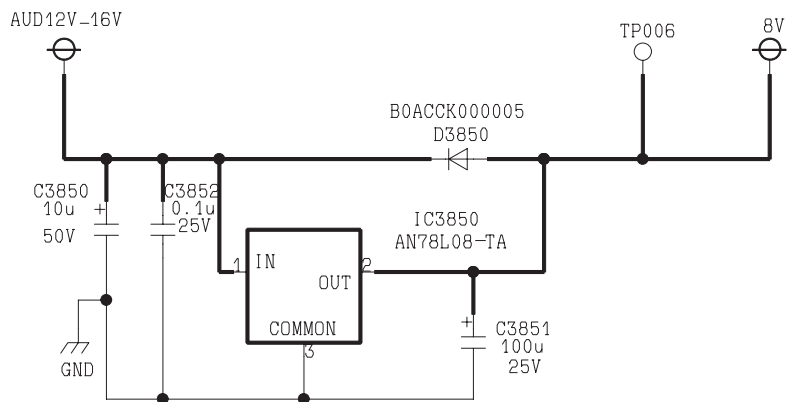
TNP8EAL40
A-BOARD 

12V



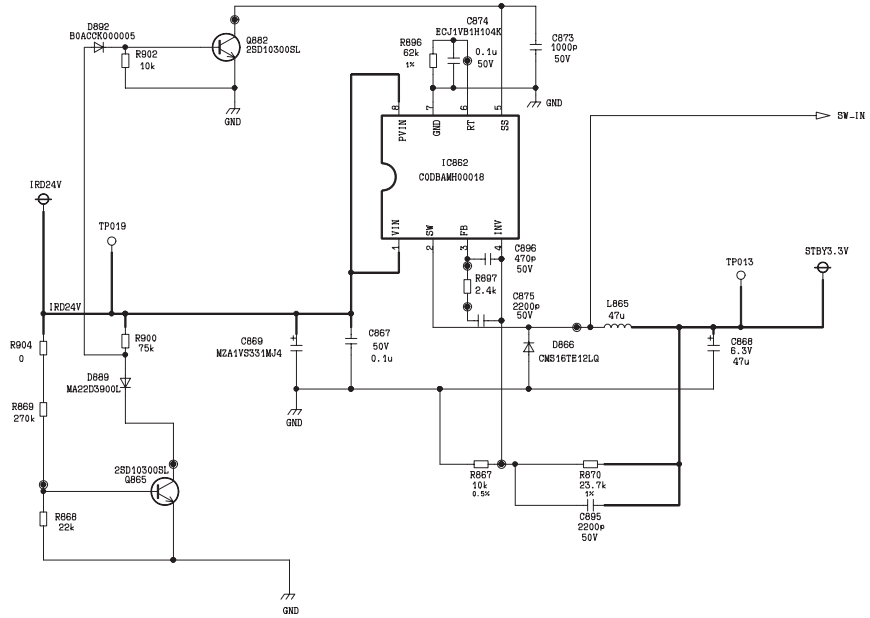
TNP8EAL40
A-BOARD 

8V



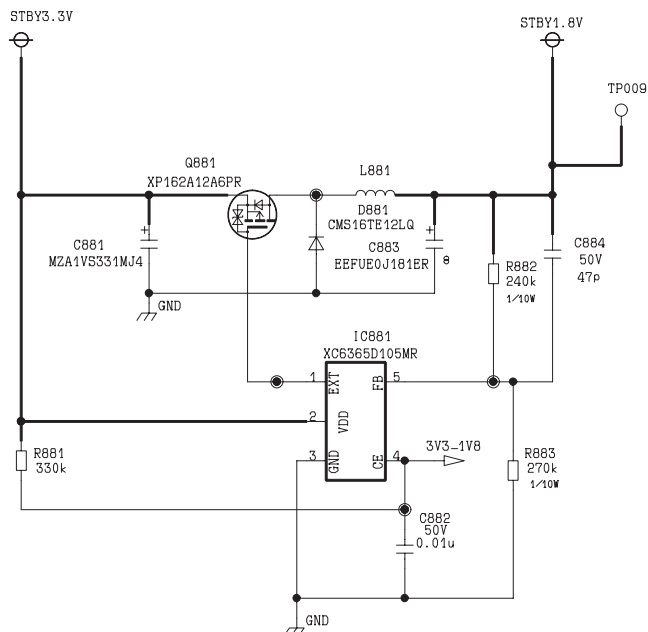
TNP8EAL40
A-BOARD 


STBY3V3



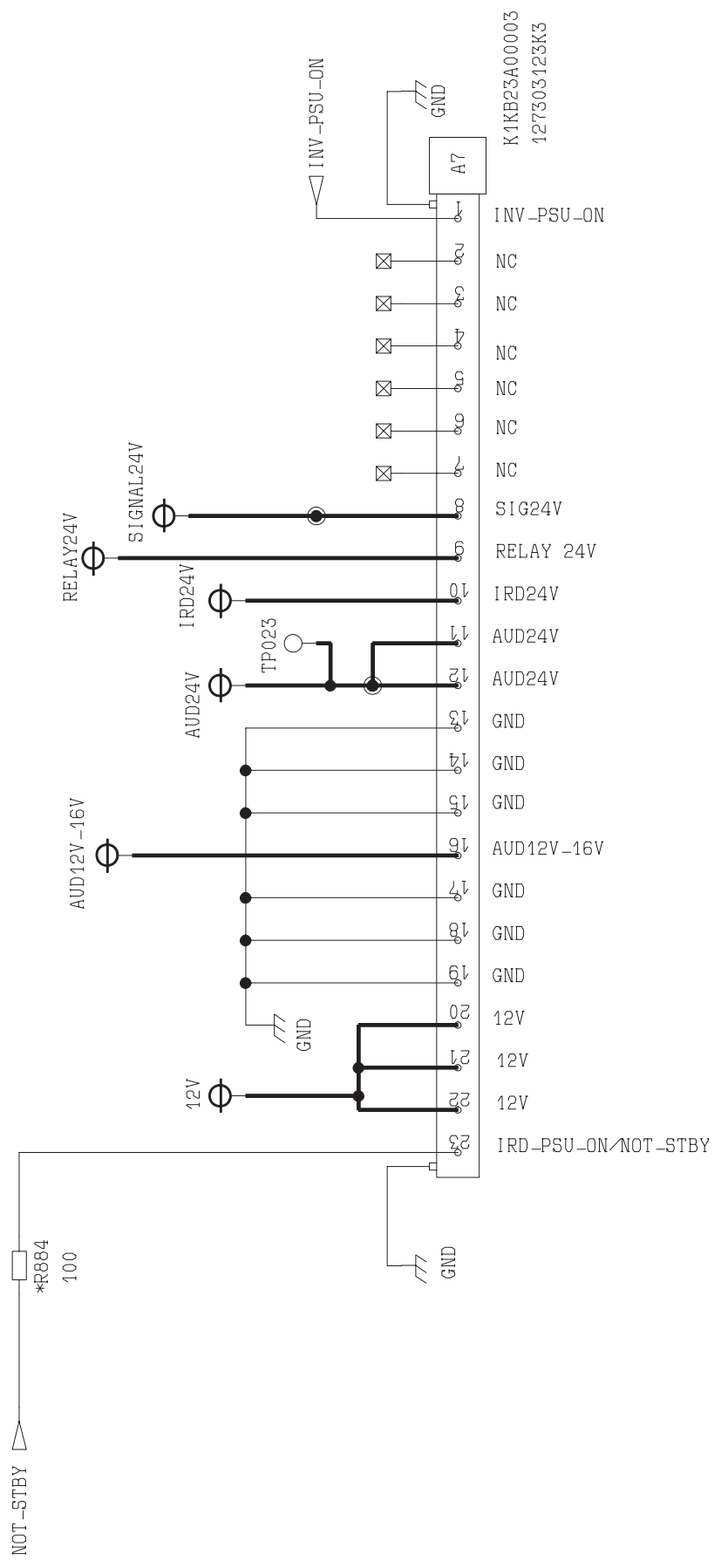
TNP8EAL40
A-BOARD 

STBY1V8



TNP8EAL40
A-BOARD 

PSU



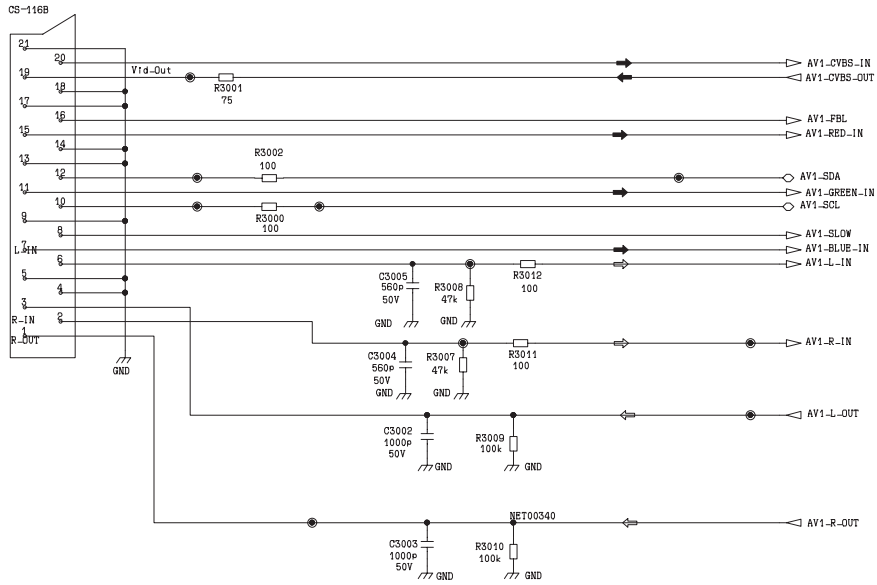
K1KB23A00003
127303123K3

TNP8EAL40
A-BOARD ⚠

AV1

AV1

JK3000

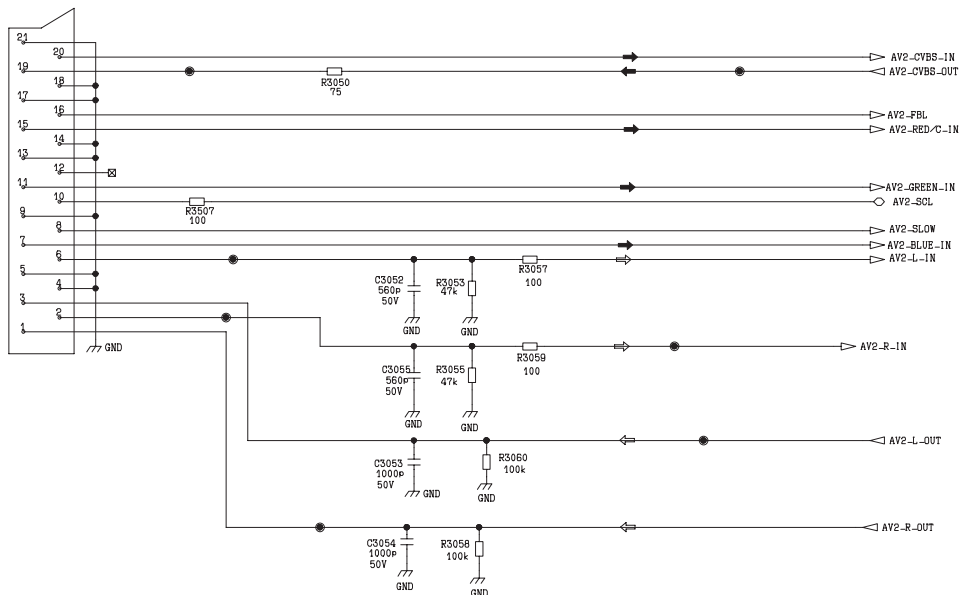


TNP8EAL40
A-BOARD ⚠

AV2

AV2

JK3050

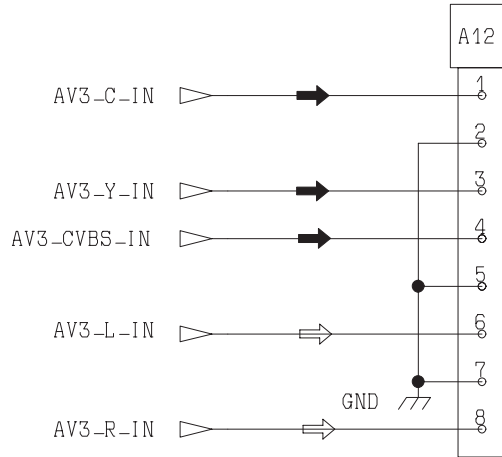


TNP8EAL40
A-BOARD



AV3

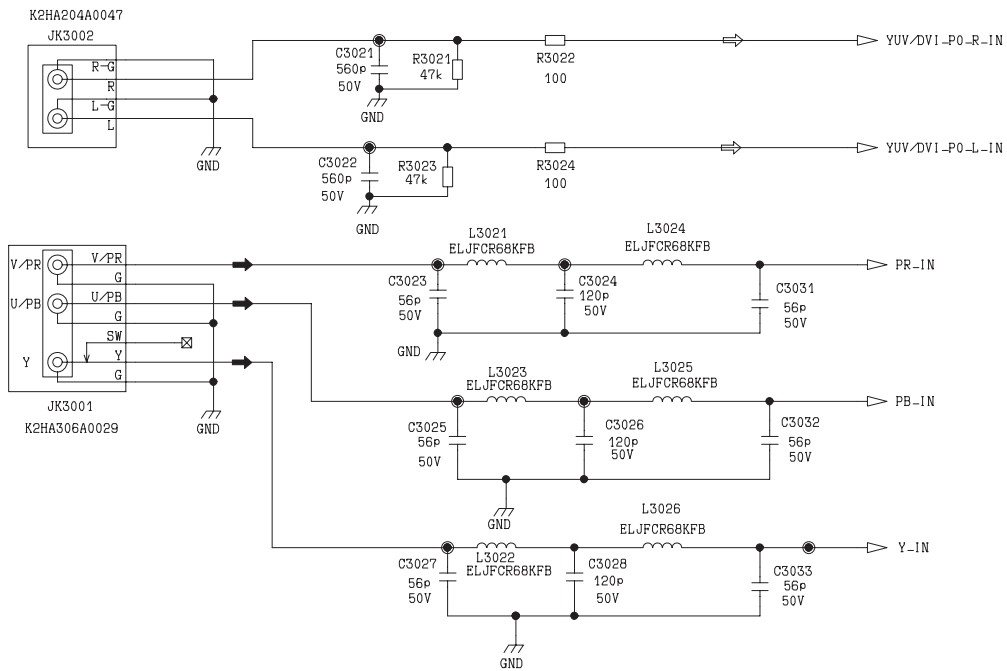
K1KA08AA0192



TNP8EAL40
A-BOARD

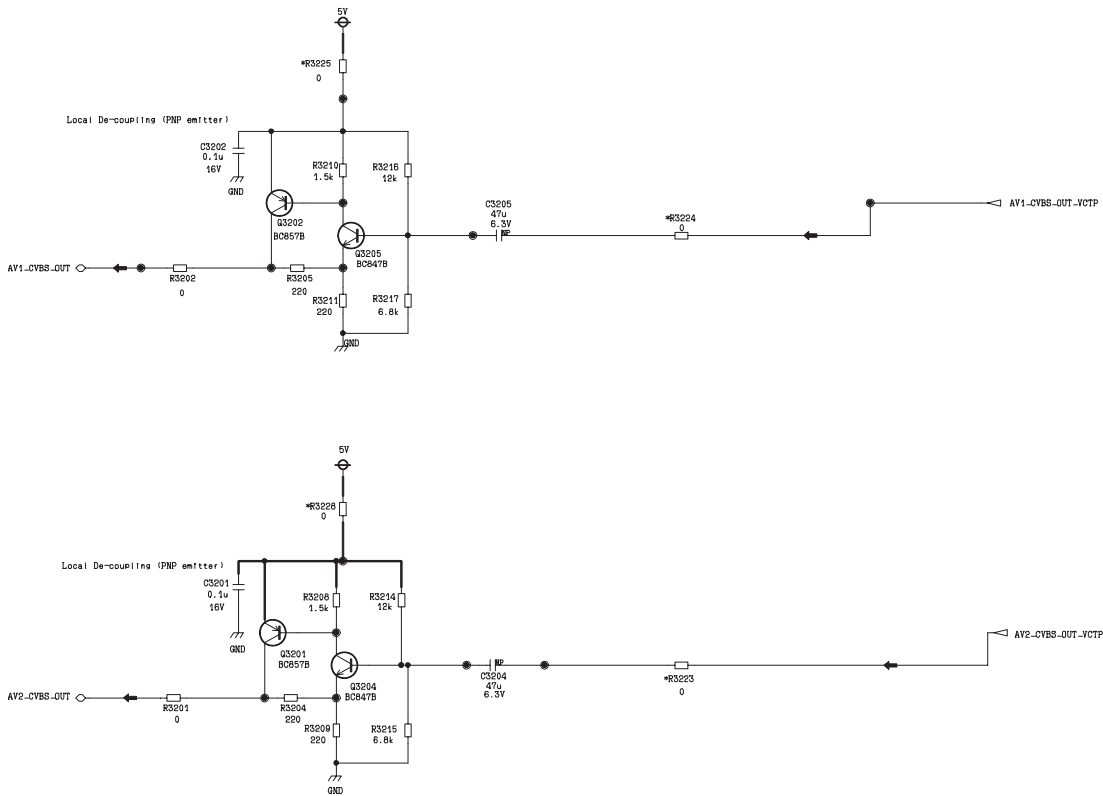


YUV



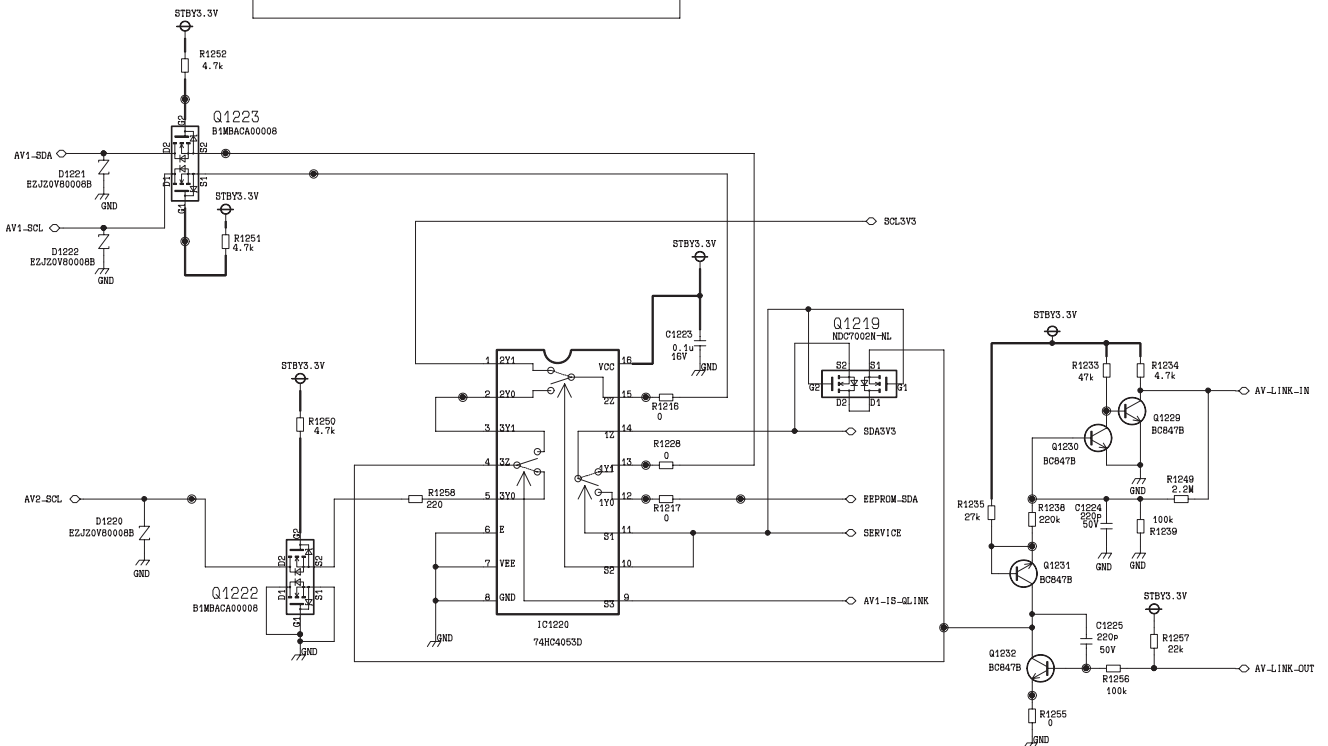
TNP8EAL40
A-BOARD

VIDEO-SWITCH



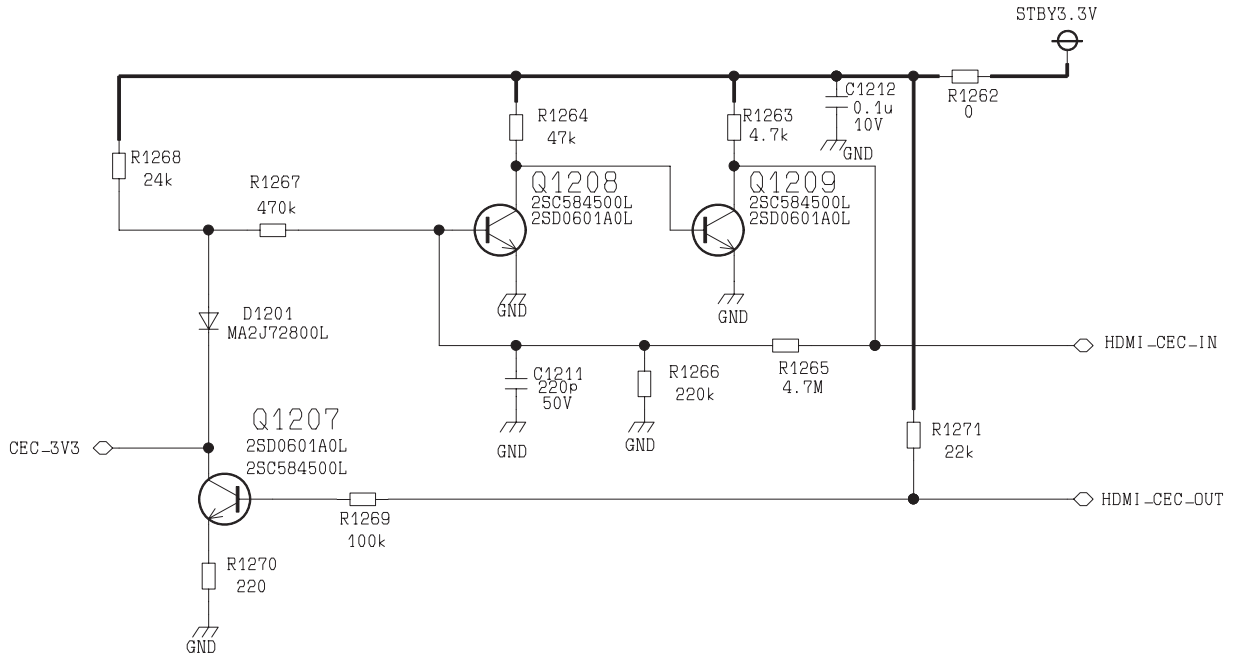
TNP8EAL40
A-BOARD

QLINK

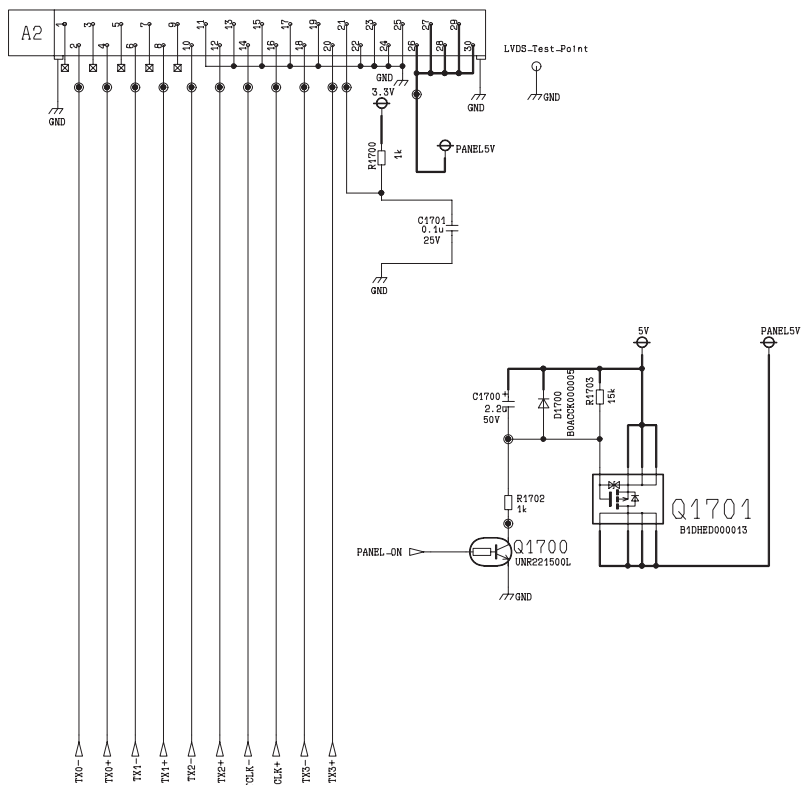


TNP8EAL40
A-BOARD 

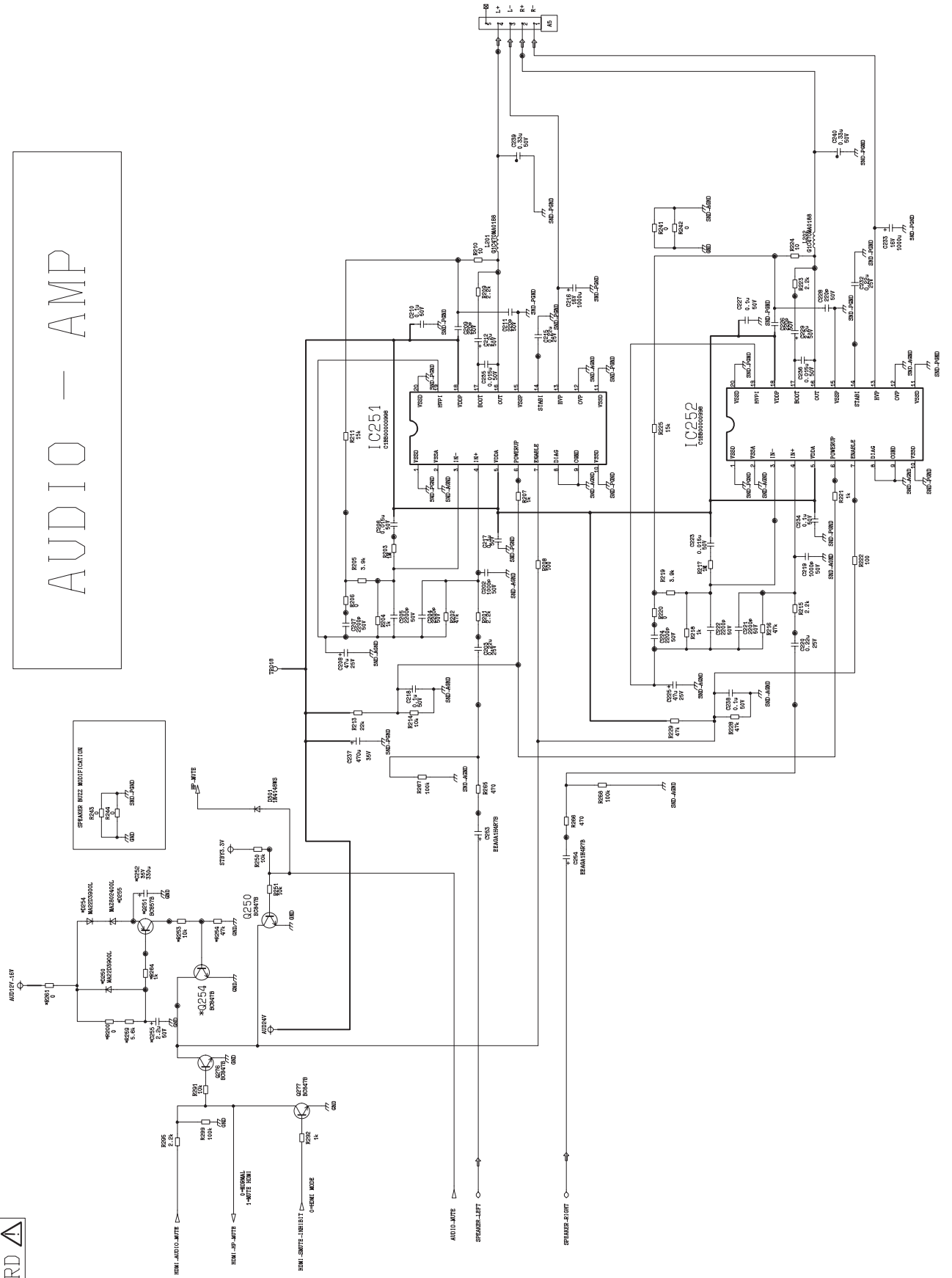
HDMI - CEC



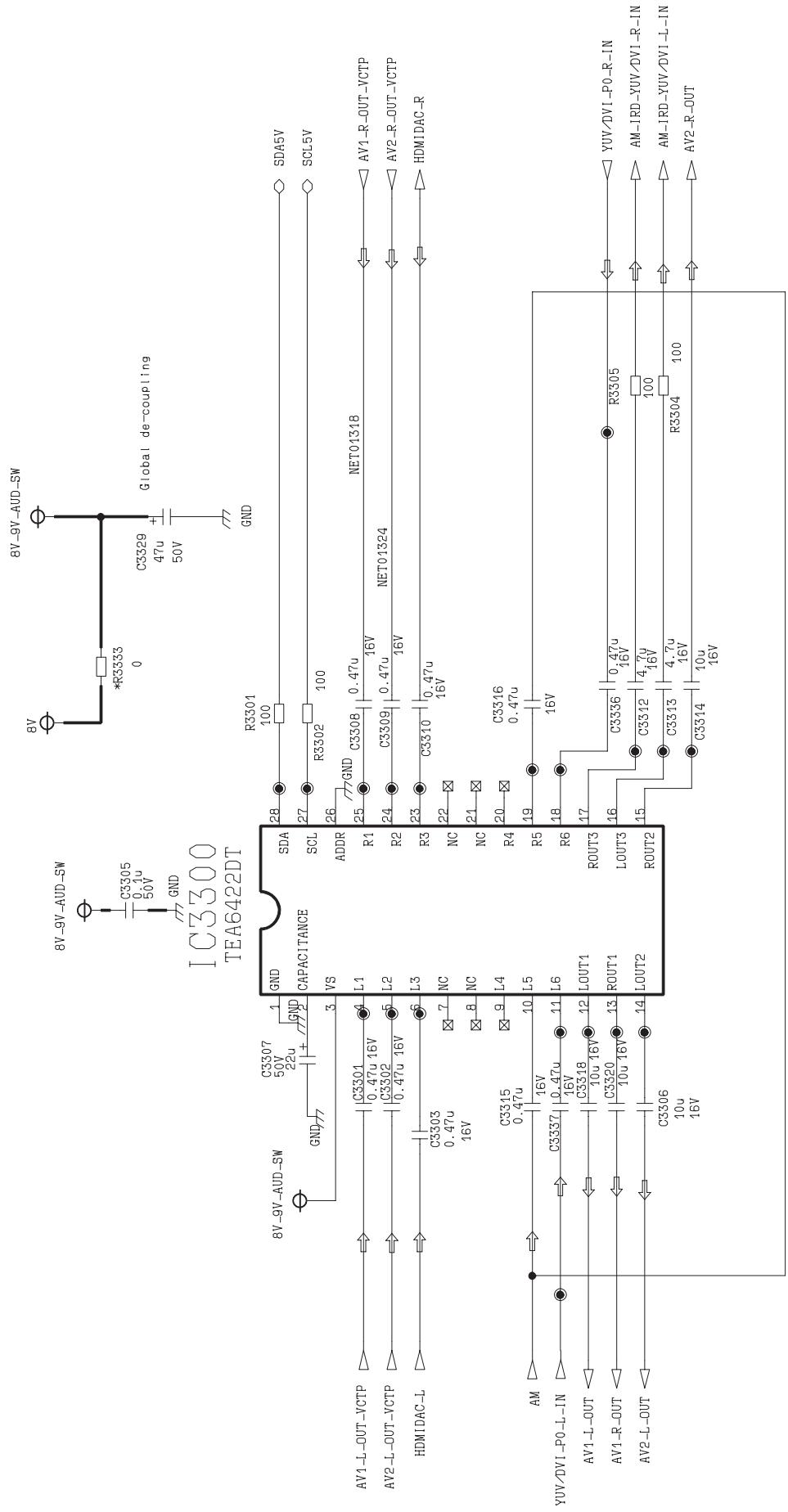
TNP8EAL40
A-BOARD  PANEL



AUDIO - AMP

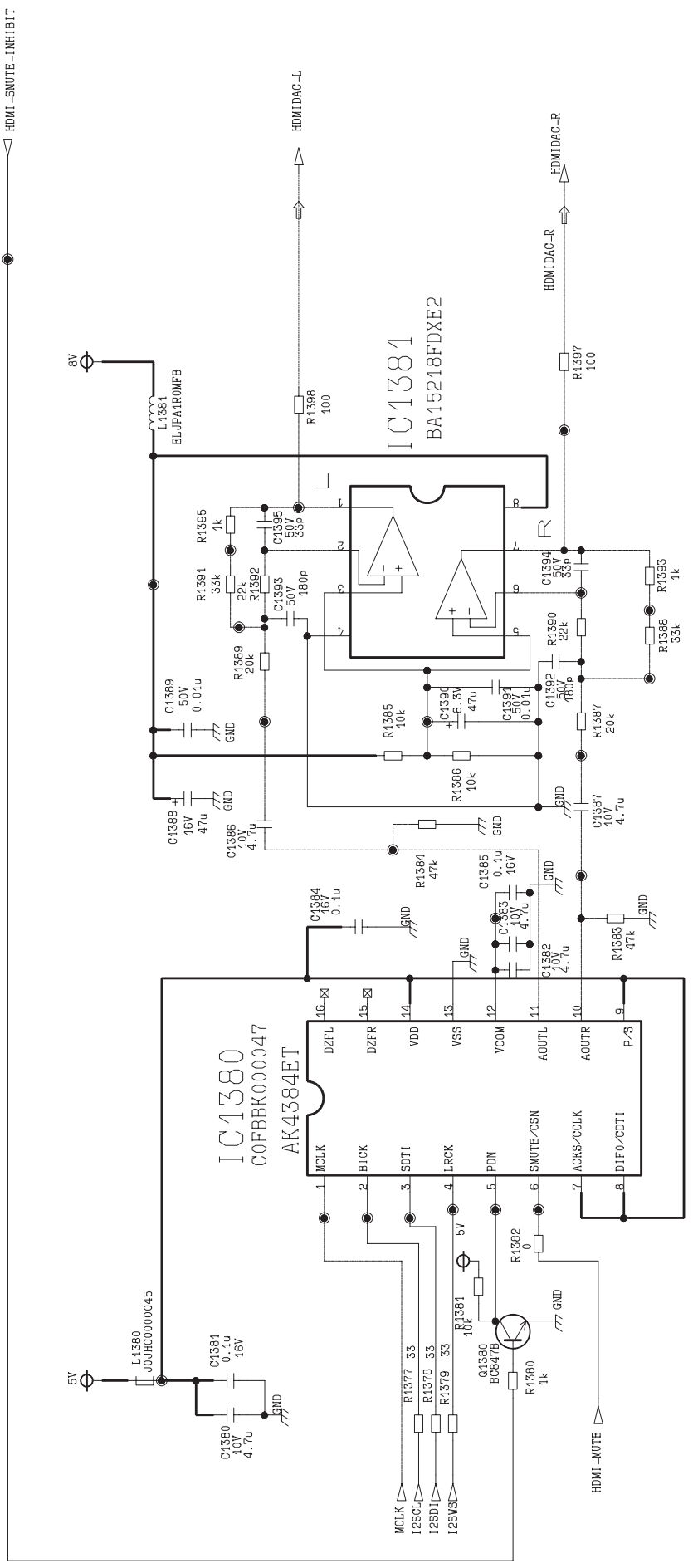


AUDIO-MATRIX



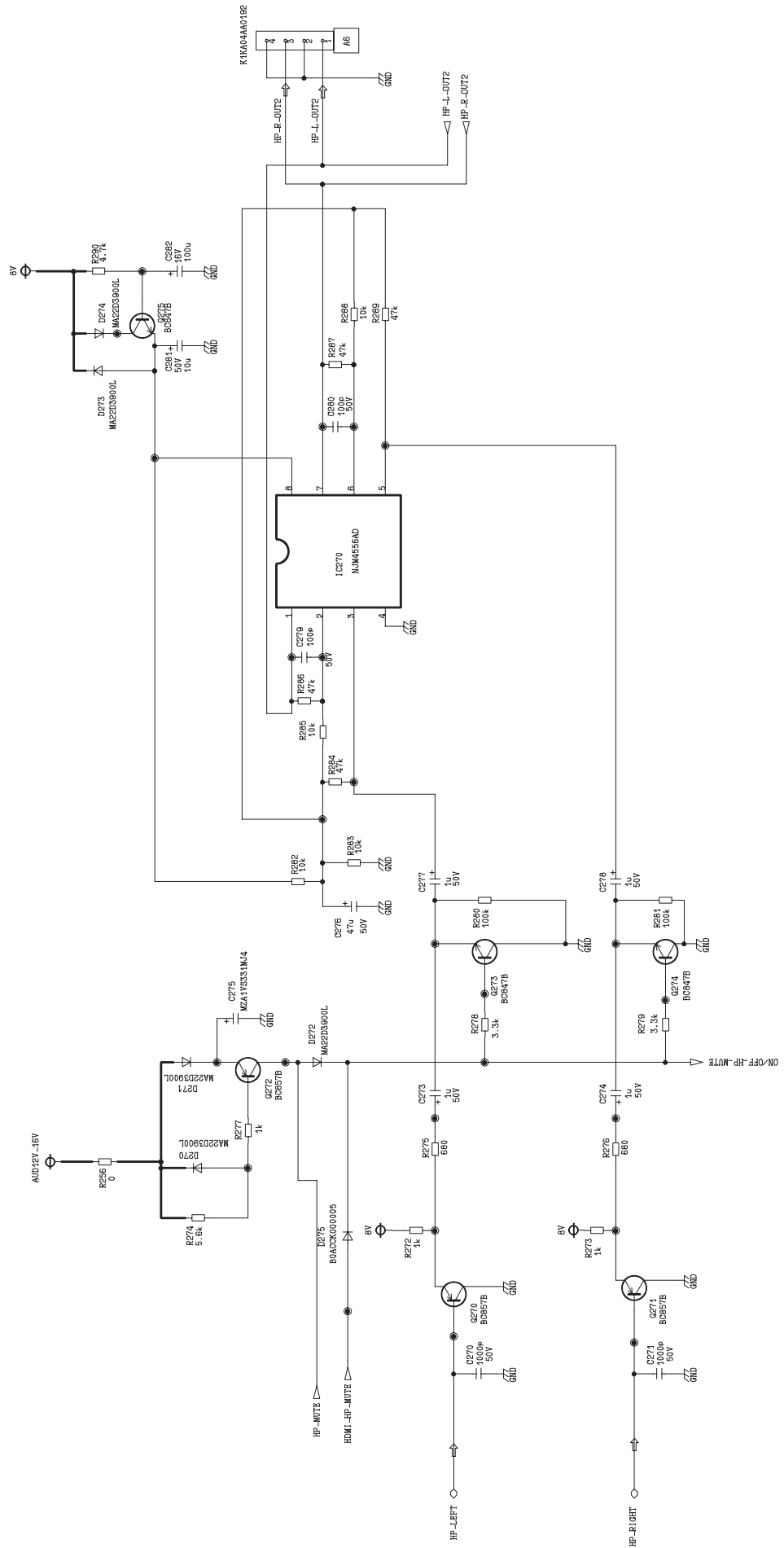
TNP8EAL40
A-BOARD

HDMI-AUDIO-DAC



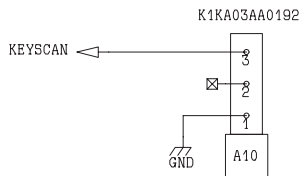
TNP8EAL40
A-BOARD

HEADPHONE-AMP



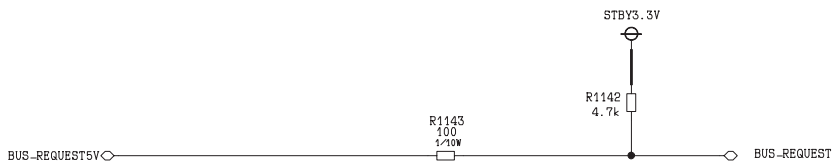
TNP8EAL40
A-BOARD 

KEYSCAN



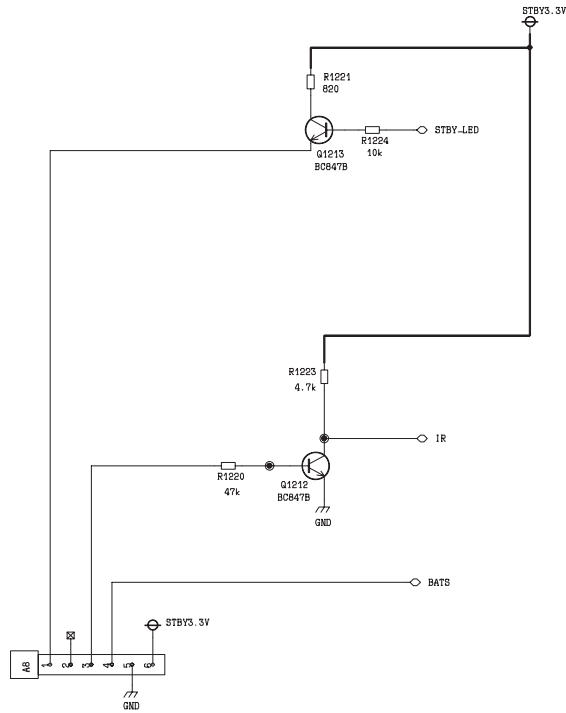
TNP8EAL40
A-BOARD 

SERVICE



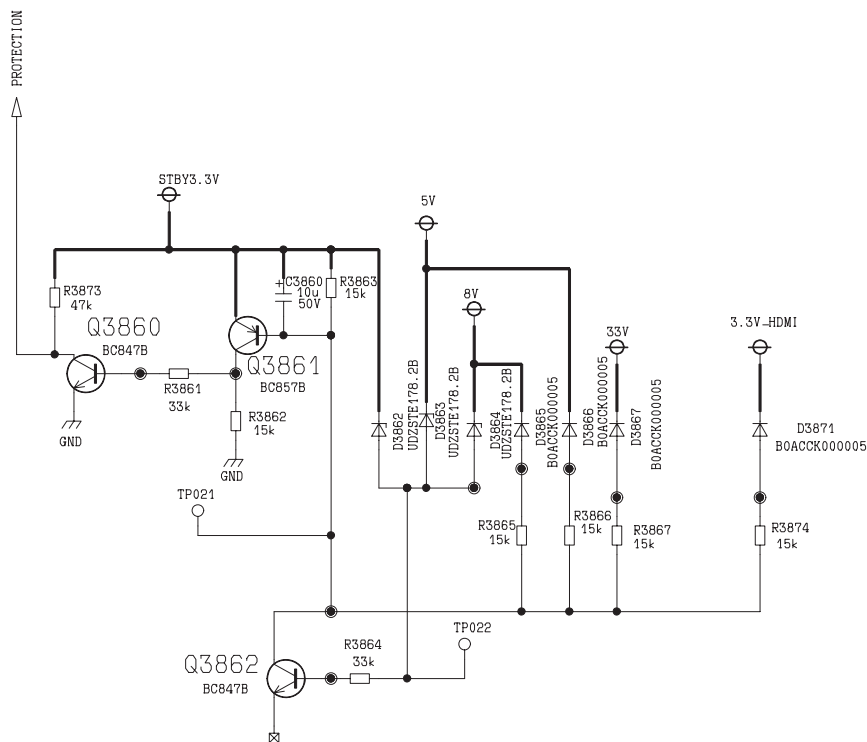
TNP8EAL40
A-BOARD 

IR-LED



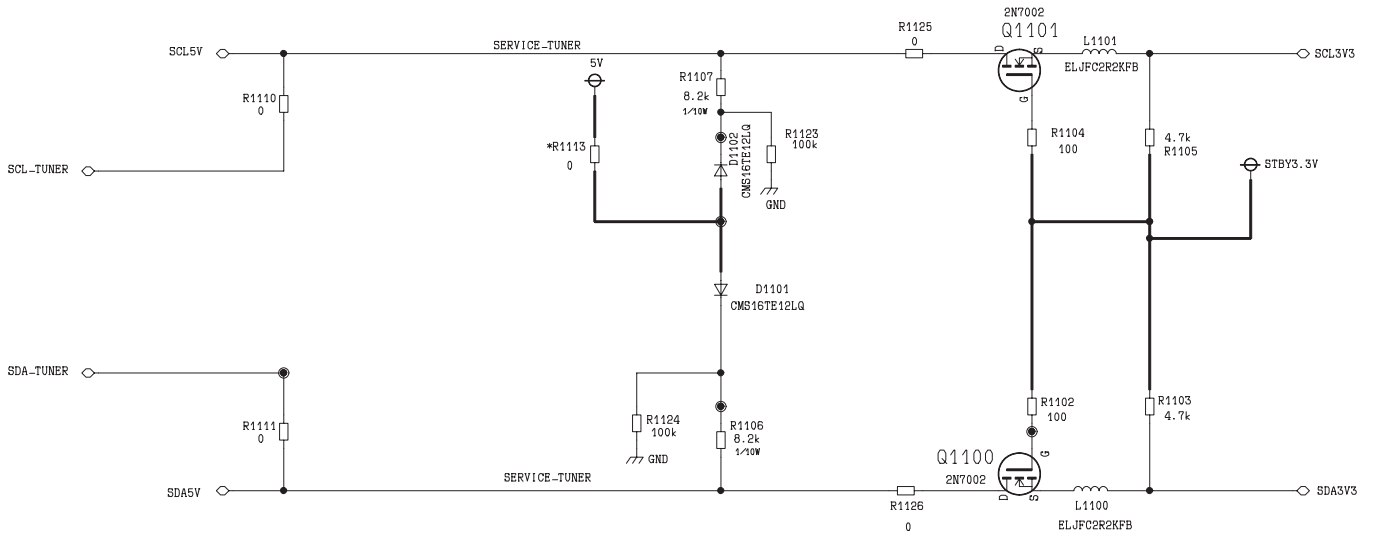
TNP8EAL40
A-BOARD 

PROTECTION



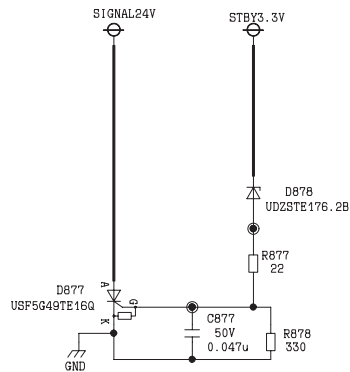
TNP8EAL40
A-BOARD 

LEVEL-SHIFTER



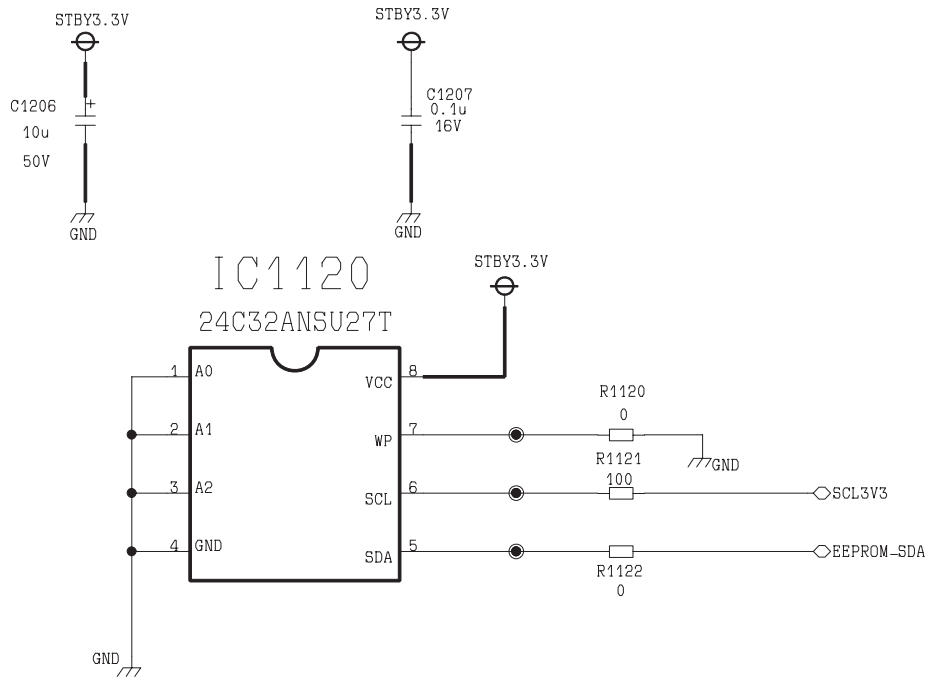
TNP8EAL40
A-BOARD 

IRD-PROTECTION



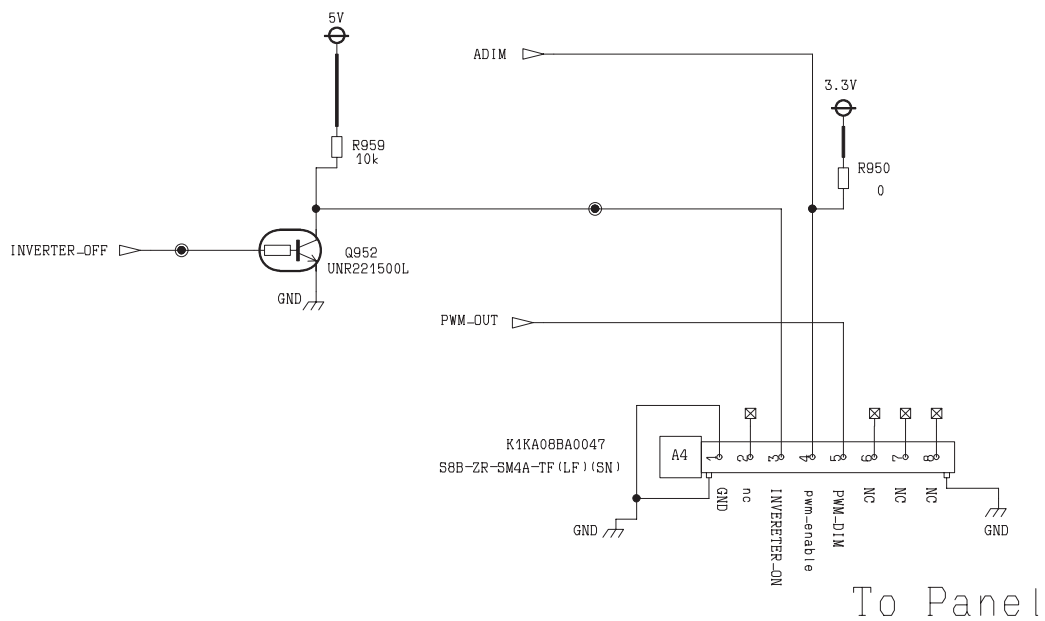
TNP8EAL40
A-BOARD 

EEPROM



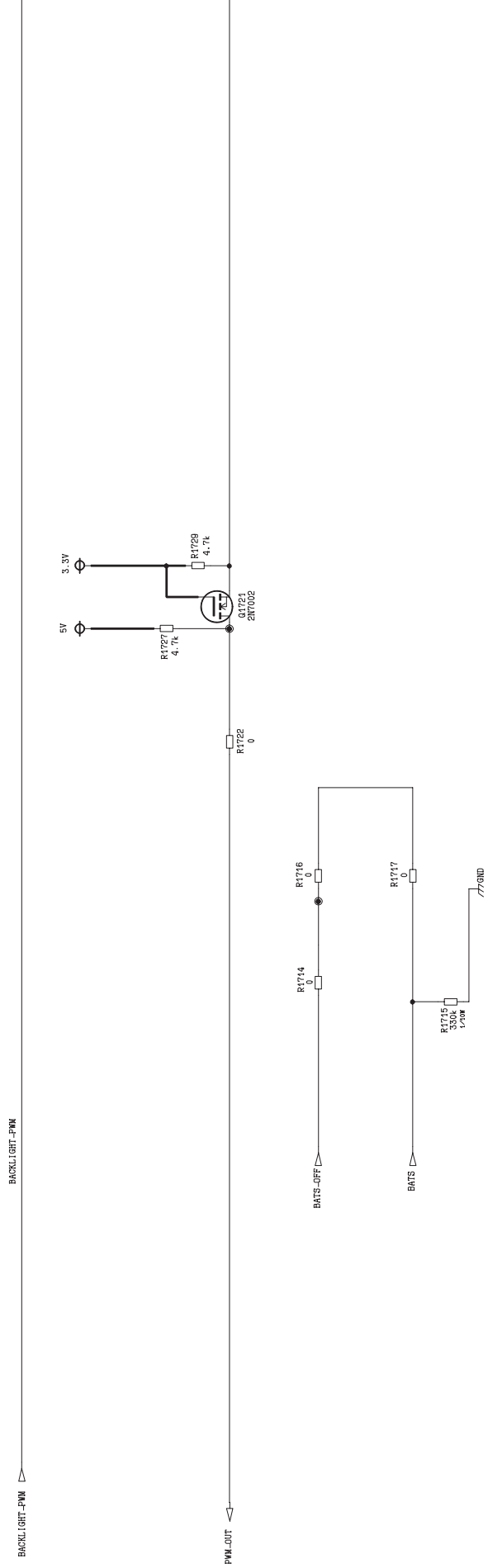
TNP8EAL40
A-BOARD 

INVERTER



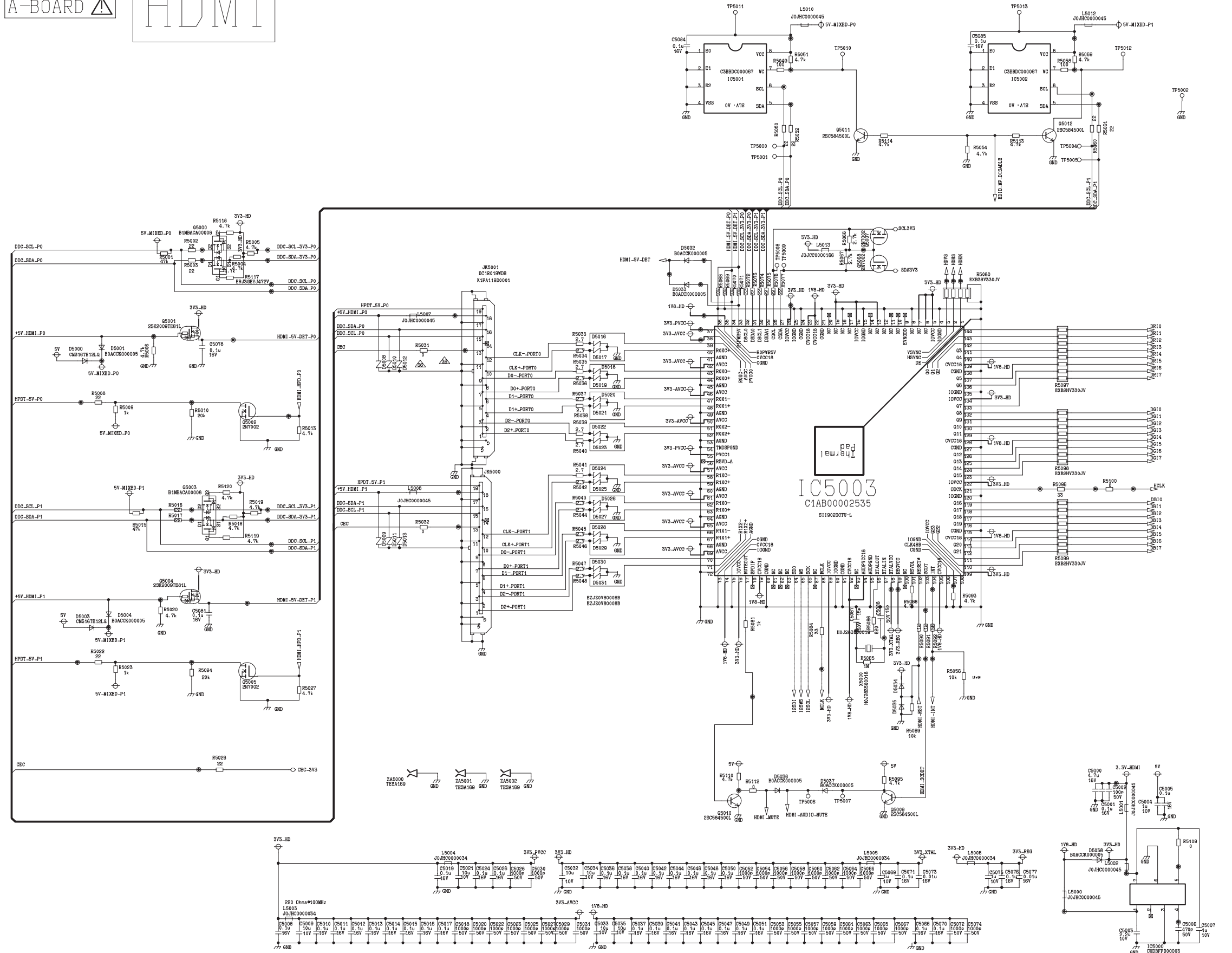
TNP8EAL40
A-BOARD

BACKLIGHT

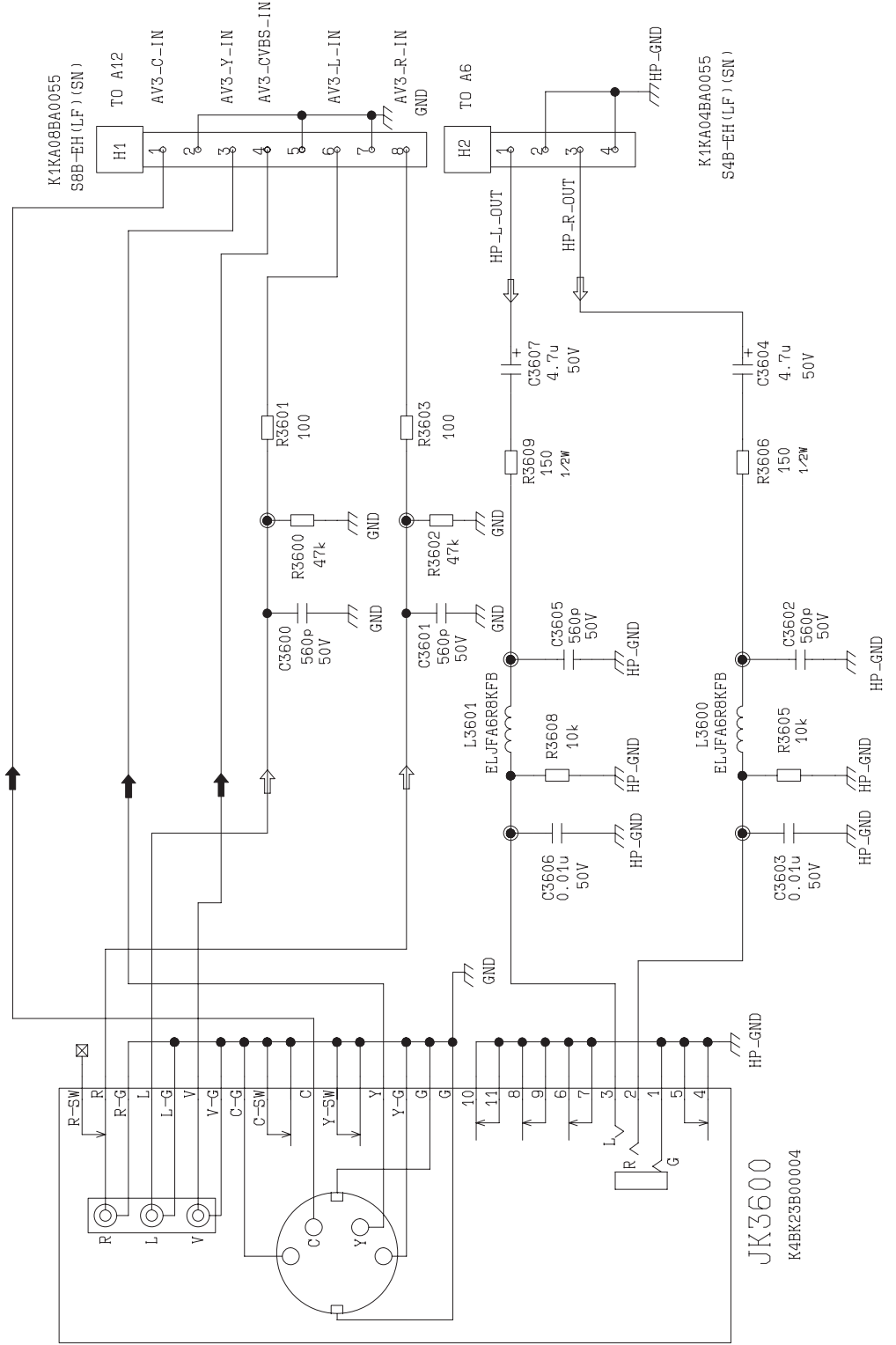


TNP8EAL40
A-BOARD


HDMI



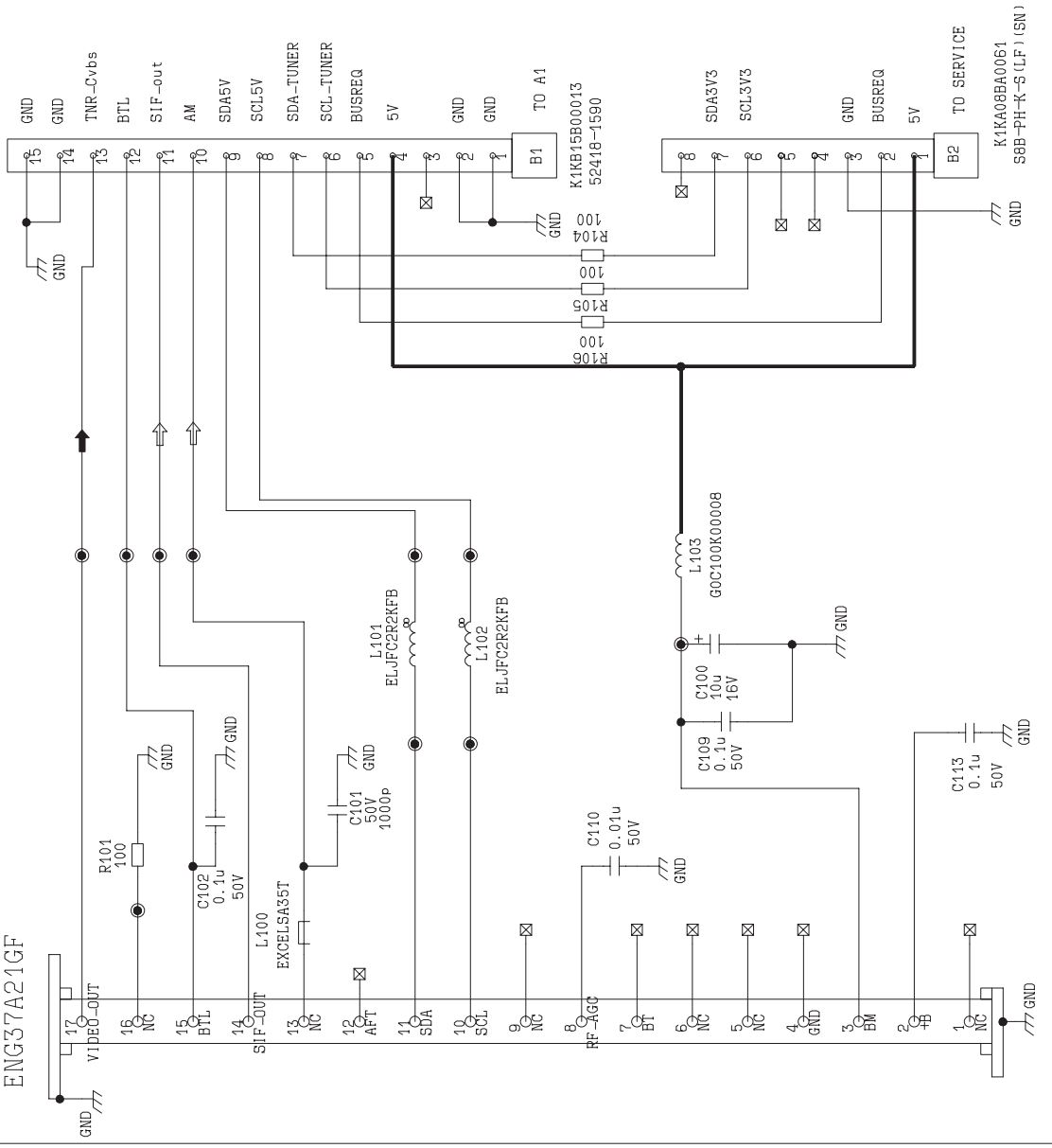
TNP8EHL50 H-BOARD




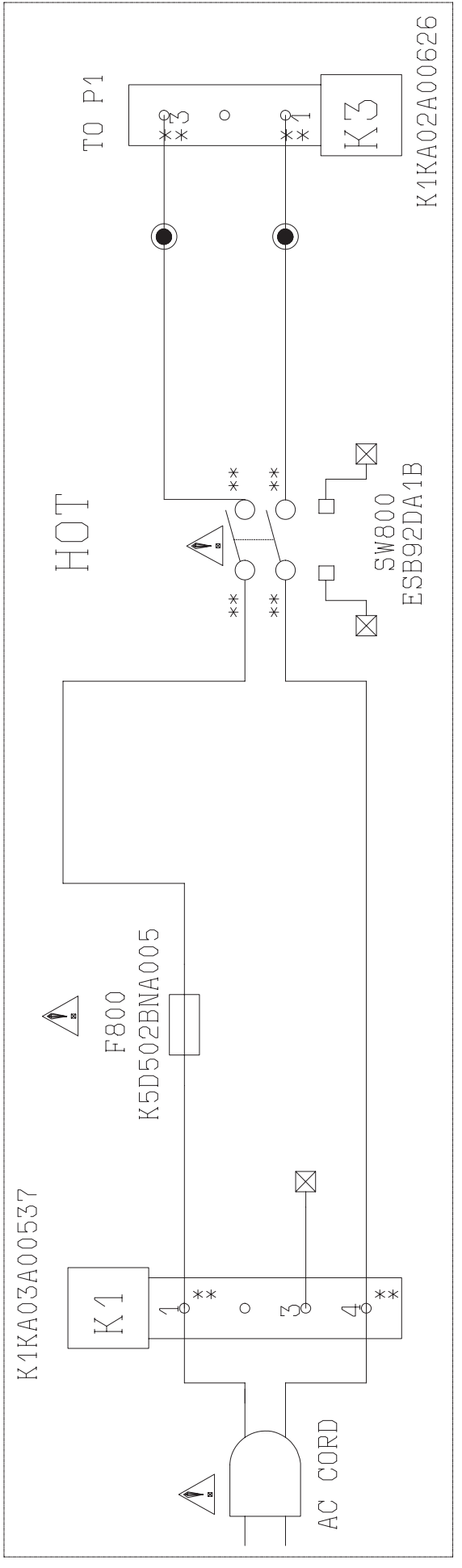
TNP8EBL50 B-BOARD



*TNR001
ENG37A21GF



TNP8EKL50 K-BOARD

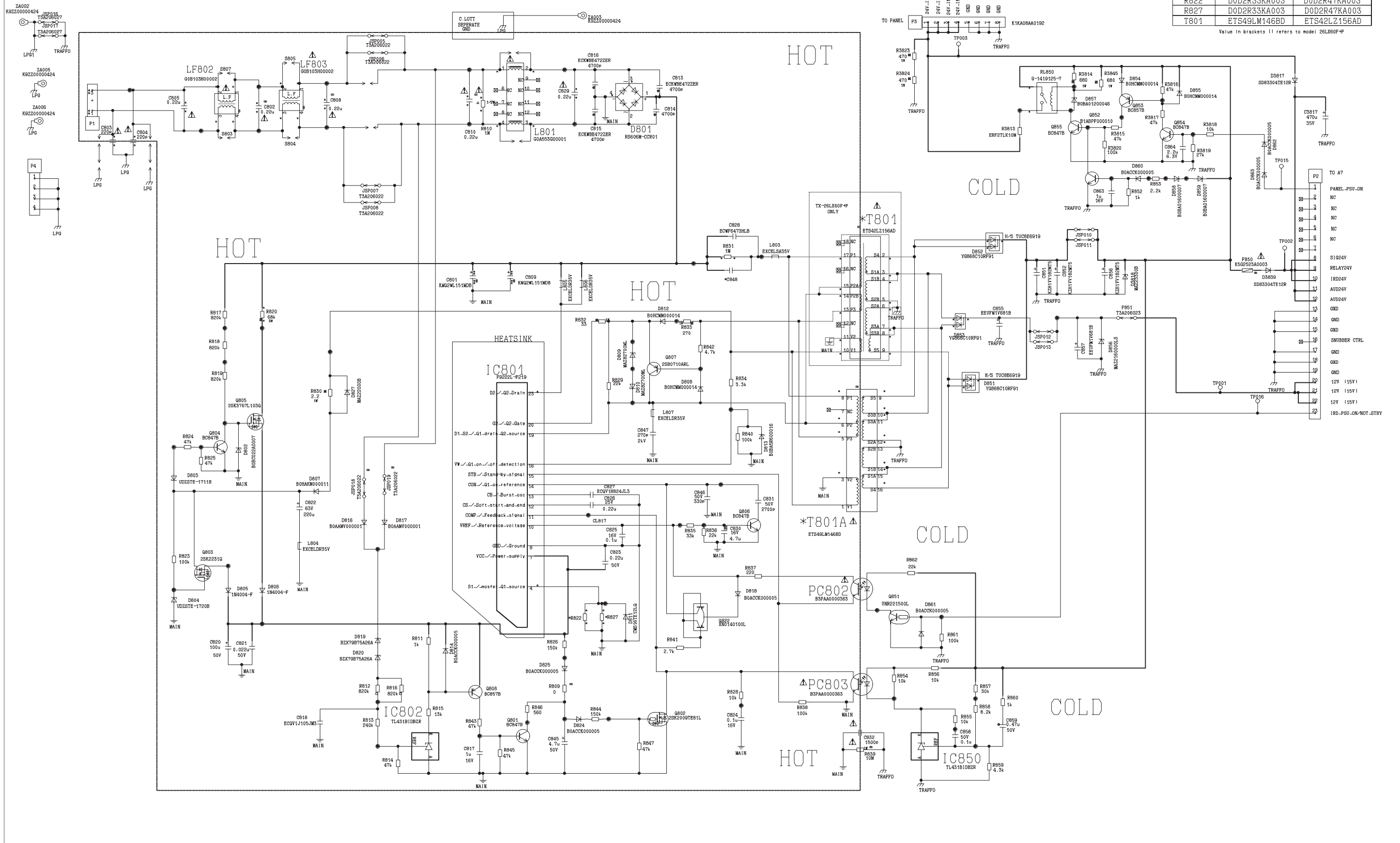



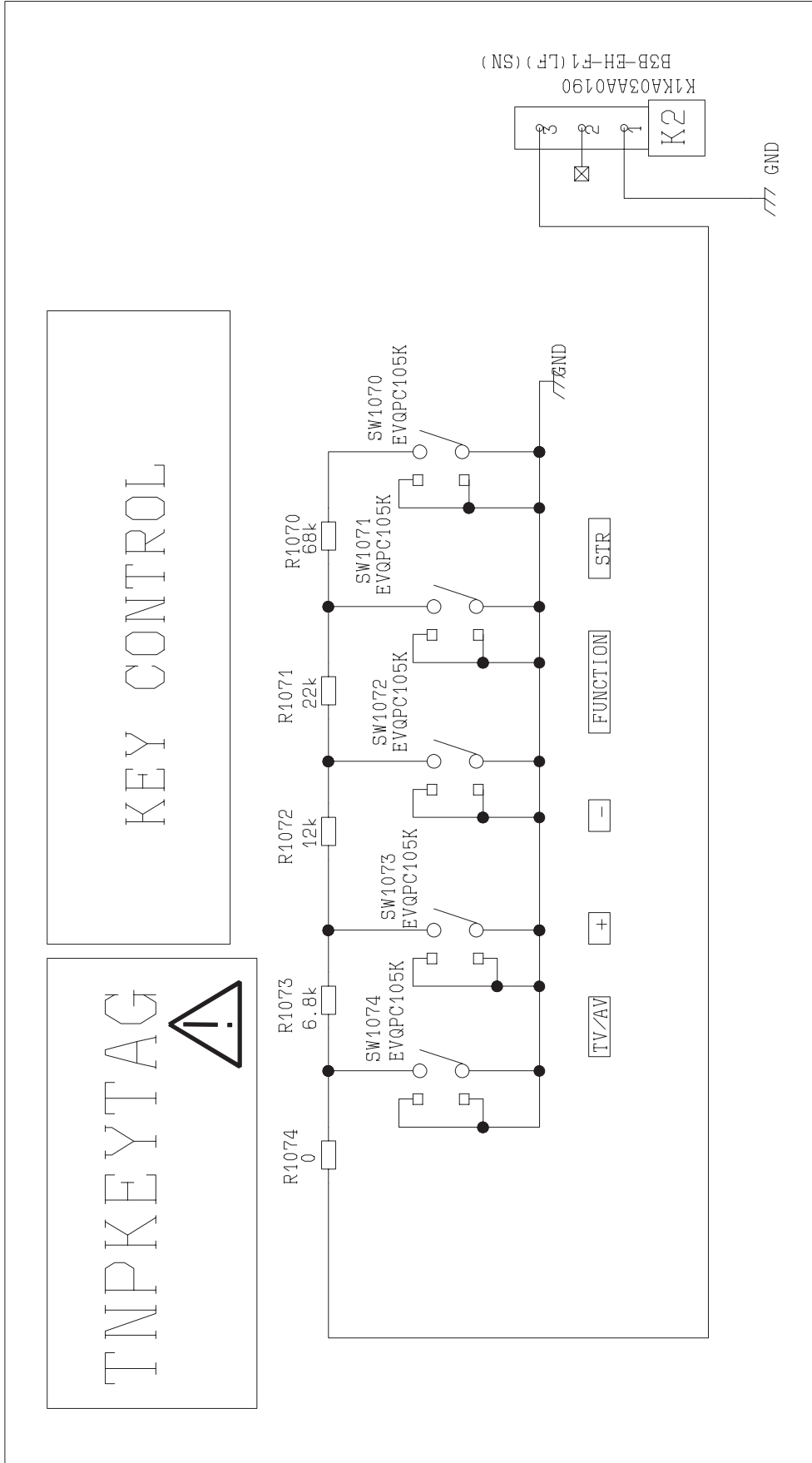
TNP8EPL50
P-BOARD

DIFFERENCE LIST

POSITION	MODEL	
	TX-32LX60F+P	TX-26LX60F+P
C848	ECWF6473HLB	ECWF6333HLB
R822	D0D2R33KA003	D0D2R47KA003
R827	D0D2R33KA003	D0D2R47KA003
T801	ETS49LM146BD	ETS42LZ156AD

Value in brackets (!) refers to model 26LX60F+P

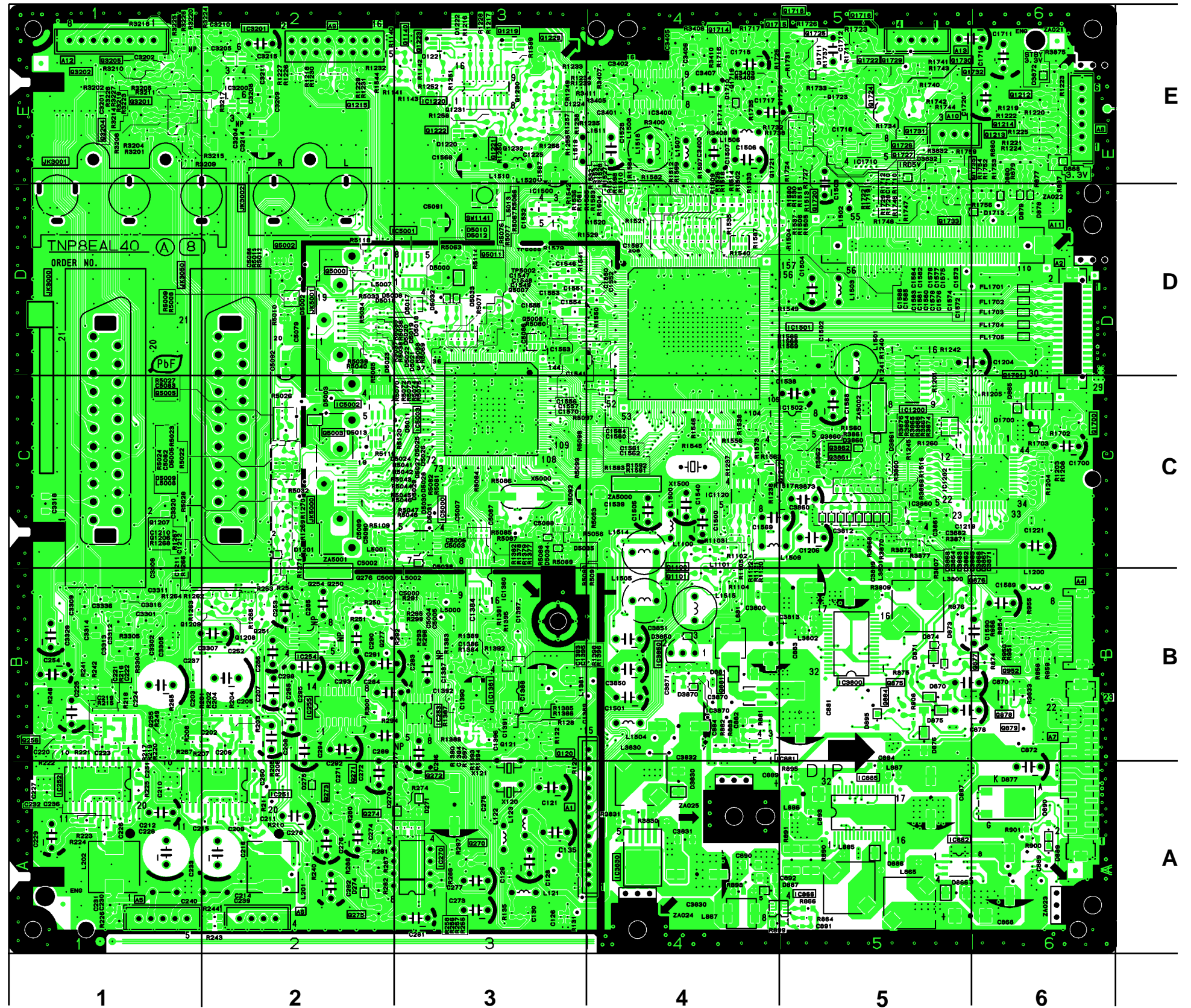




CONDUCTOR VIEWS FOR MODELS TX-32LX60F, TX-32LX60P, TX-26LX60F, TX-26LX60P

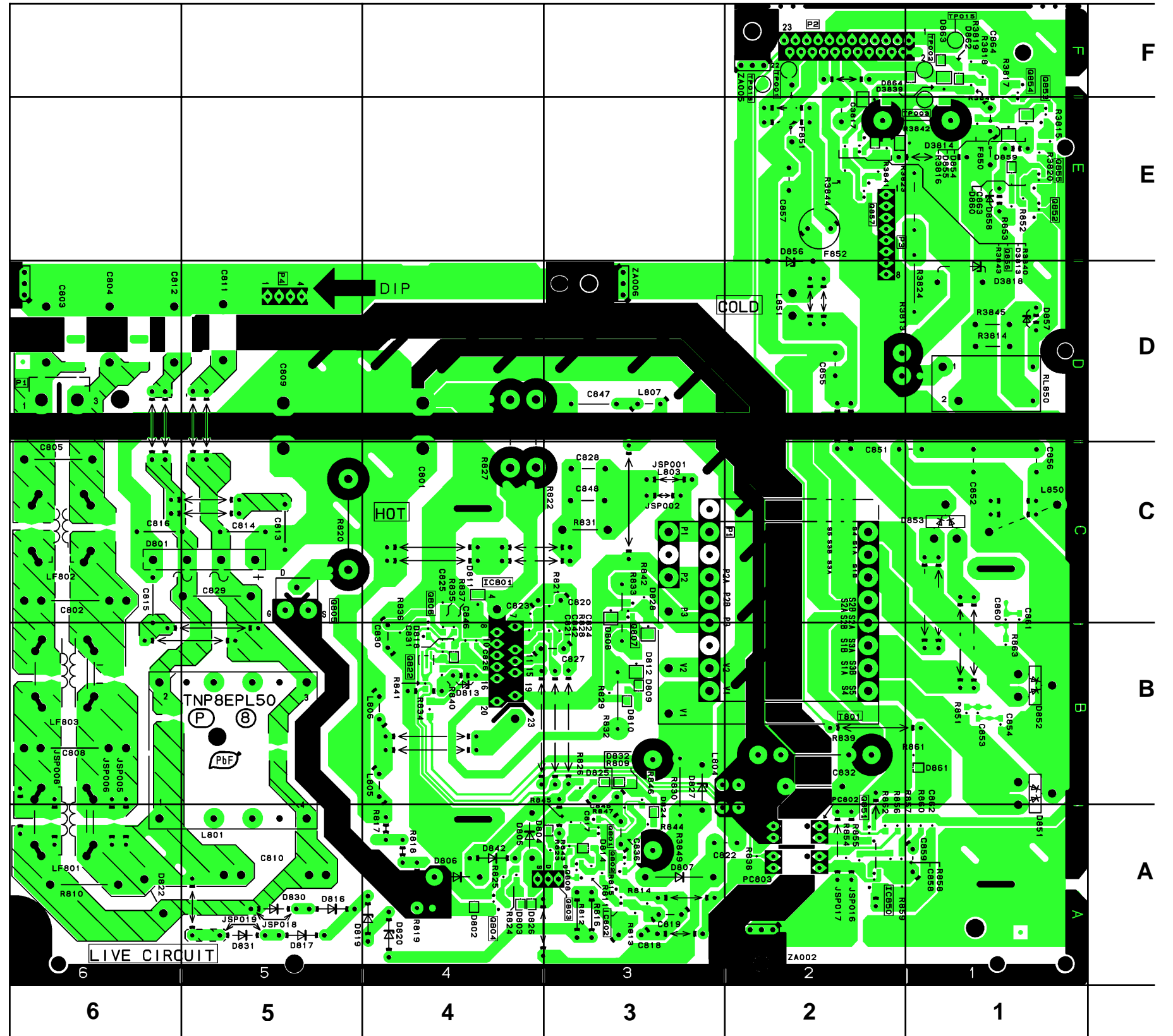
A-BOARD TNP8EAL40 - top

TRAN'S	Q5008	D3	D5024	C2	
Q1100	C4	Q5011	D3	D5025	C3
Q1101	B4	Q875	B5	D5026	C3
Q1207	C2	Q876	B5	D5027	C3
Q1208	B2	Q877	B5	D5028	C3
Q1209	B2	Q878	B6	D5029	C3
Q121	B3	Q879	B6	D5030	C3
Q1212	E6	Q881	B4	D5031	C3
Q1213	E6	Q952	B6	D5032	D3
Q1215	E2			D5033	D3
Q1217	C4	DIODE'S		D5034	C3
Q1219	E3	D1201	C2	D5035	C3
Q1222	E3	D1220	E3	D5038	C3
Q1223	E3	D1221	E3	D866	A5
Q1229	E3	D1222	E3	D870	B5
Q1230	E3	D1700	C6	D871	B5
Q1231	E3	D270	A3	D873	B5
Q1232	E3	D271	A3	D874	B5
Q1700	C6	D274	A2	D875	B5
Q1701	C6	D275	A2	D876	B5
Q1721	E4	D3850	B4	D877	A6
Q250	B2	D3862	C5	D878	D6
Q251	B2	D3863	C5	D881	B4
Q254	B2	D3864	C5	D886	A5
Q270	A3	D3865	C5	D887	A4
Q271	A2	D3866	C5	D889	A6
Q272	A3	D3867	C5		
Q273	A2	D3871	C5	IC'S	
Q274	A2	D5000	D3	IC1120	C4
Q275	A2	D5003	C2	IC1220	E3
Q276	B2	D5008	D2	IC1380	B3
Q277	B2	D5009	C2	IC1381	B3
Q3201	E1	D5010	D3	IC1500	D3
Q3202	E1	D5011	C3	IC1501	D4
Q3204	E1	D5012	D3	IC251	A2
Q3205	E1	D5013	C2	IC252	A1
Q3860	C5	D5016	D3	IC5000	C3
Q3861	C5	D5017	D3	IC5001	D3
Q3862	C5	D5018	D2	IC5002	C2
Q5000	D2	D5019	D2	IC5003	C3
Q5002	D2	D5020	D2	IC862	A5
Q5003	C2	D5021	D2	IC866	A4
Q5005	C2	D5022	D2	IC881	B4
Q5007	D3	D5023	D2	IC885	A5



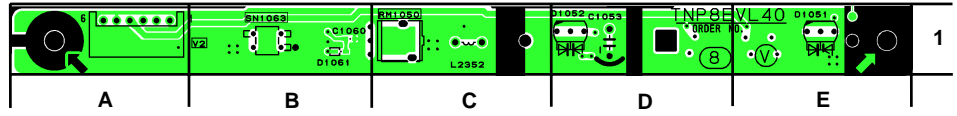
P-BOARD TNP8EPL50

TRAN'S			D814	A3
Q801	A3	D816	A5	
Q802	A3	D817	A5	
Q803	A3	D818	B4	
Q804	A4	D819	A4	
Q805	C5	D820	A4	
Q806	B4	D824	A3	
Q807	B3	D825	B3	
Q808	A3	D827	B3	
Q822	B4	D851	B1	
Q851	A2	D852	B1	
Q852	E1	D853	C1	
Q853	E1	D854	E1	
Q854	E1	D855	E1	
Q855	E1	D856	D2	
DIODE'S			D857	D1
D3817	E2	D858	E1	
D3818	D1	D860	E1	
D3839	E1	D861	B1	
D801	C5	D862	F1	
D802	A4	D863	F1	
D803	A4			
D804	A3			
IC'S				
D805	A4	IC801	B4	
D806	A4	IC802	A3	
D807	A3	IC850	A2	
D808	C3			
D809	B3			
TP'S				
D810	B3	TP001	F2	
D811	C4	TP002	F1	
D812	B3	TP003	E1	
D813	B4			



V - BOARD TNP8EVL40 - top

DIODES	
D1061	B1



V - BOARD TNP8EVL40 - bottom

TRAN'S	
Q1063	D1
Q1064	E1
Q1065	E1

DIODES	
D1051	E1
D1062	B1

