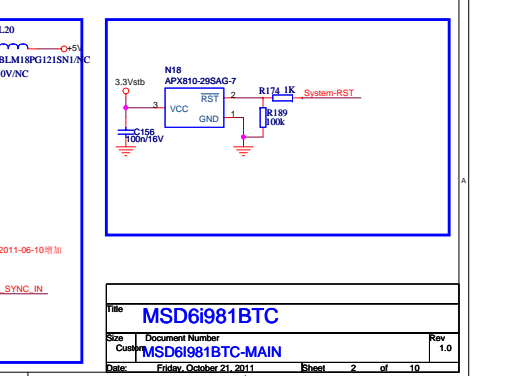
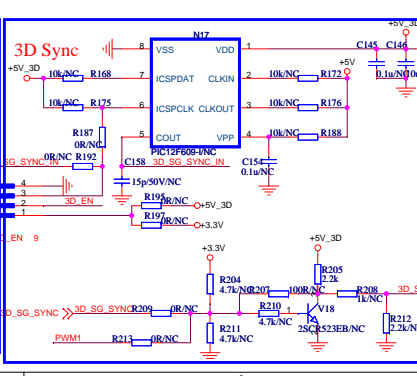
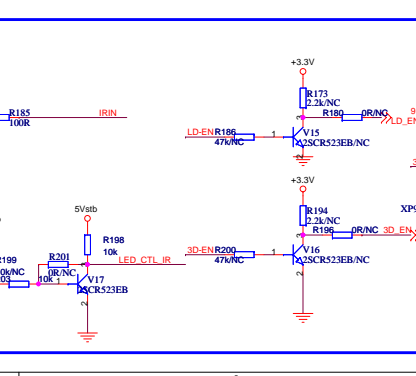
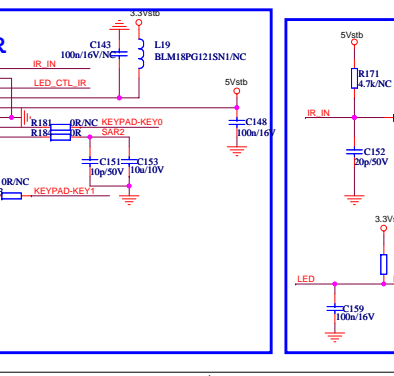
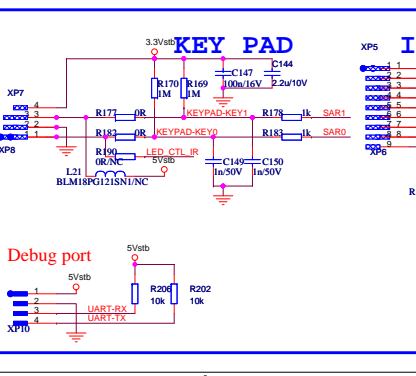
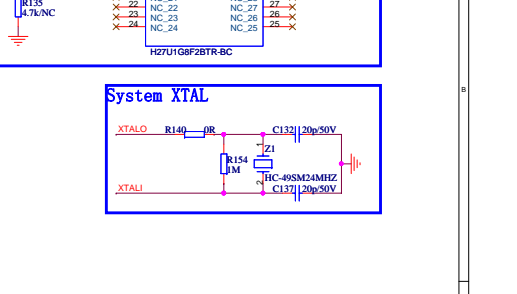
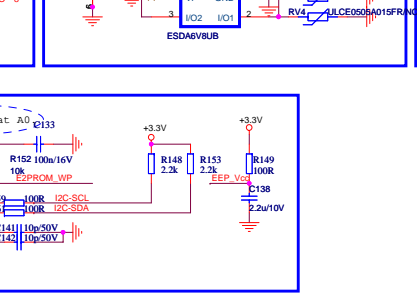
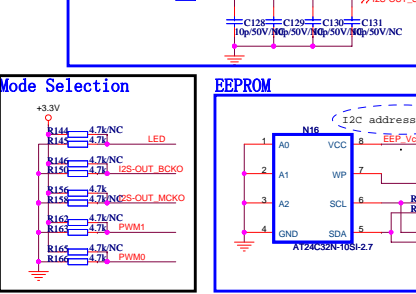
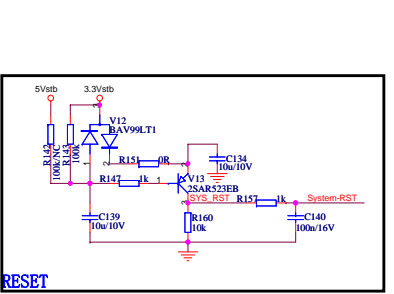
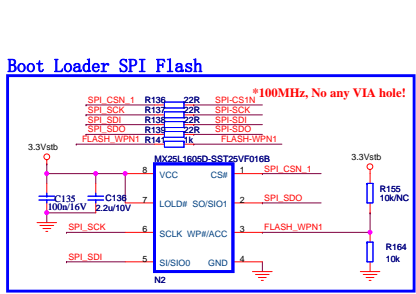
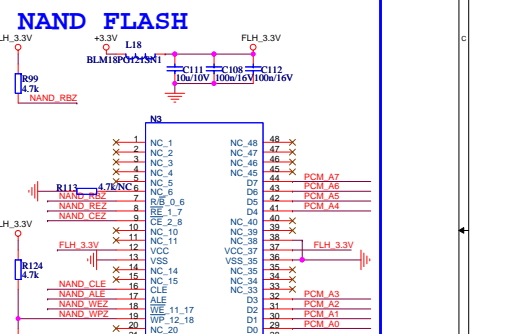
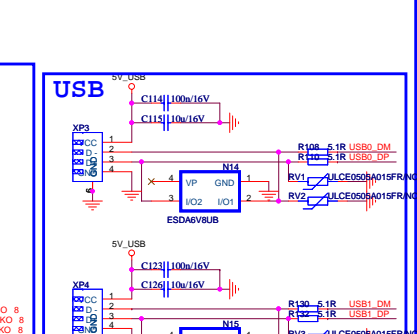
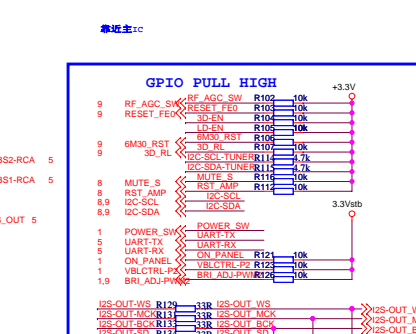
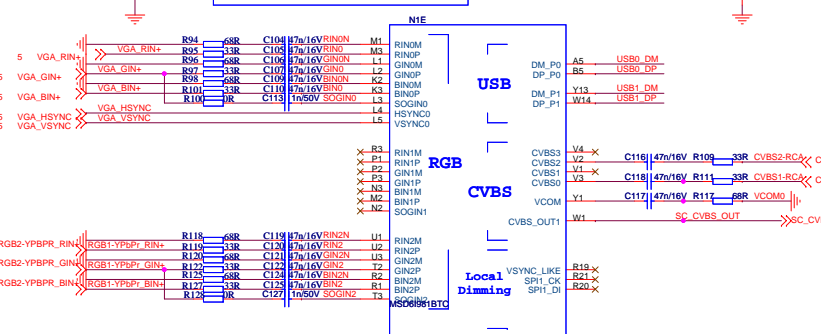
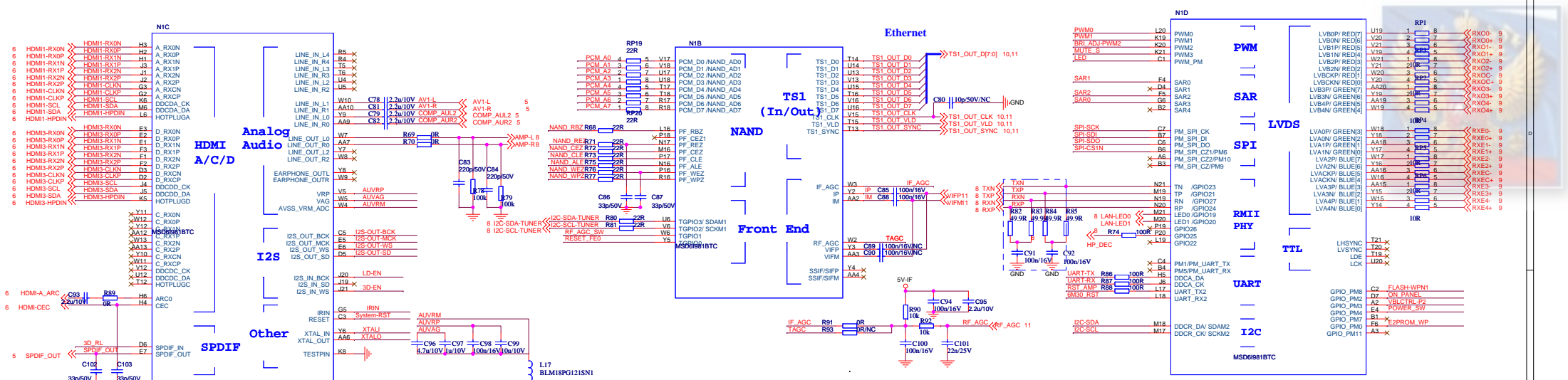
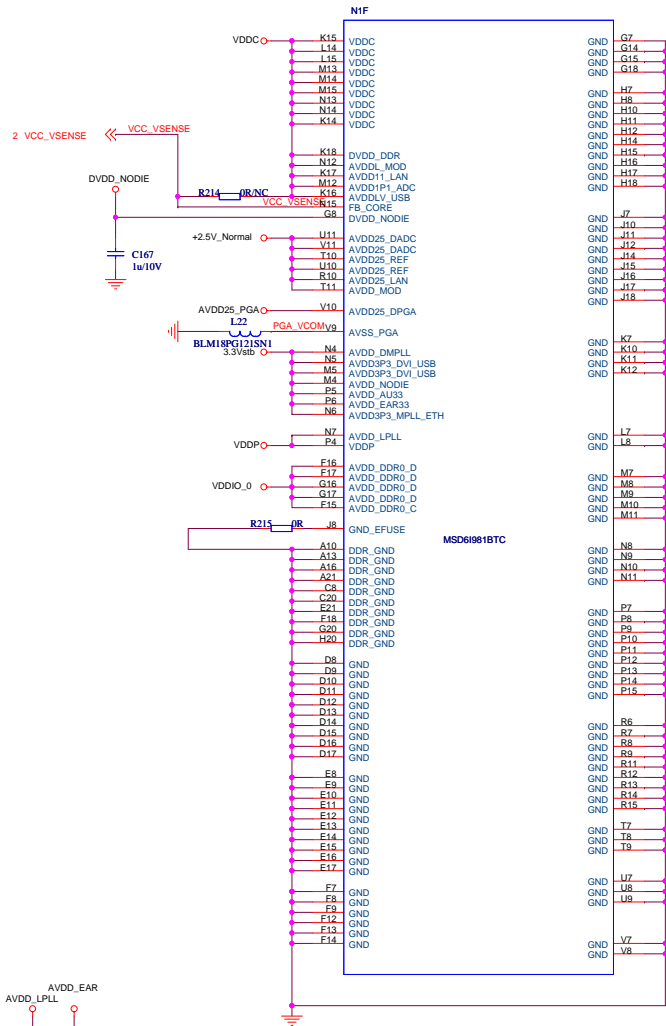
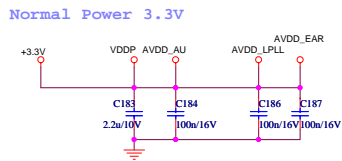
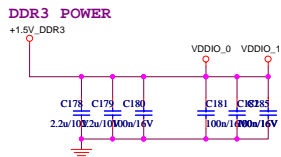
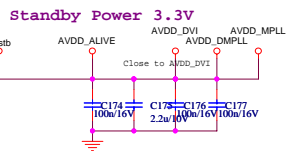
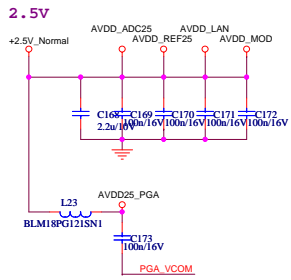
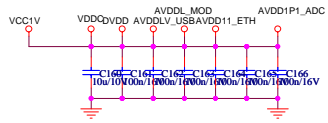


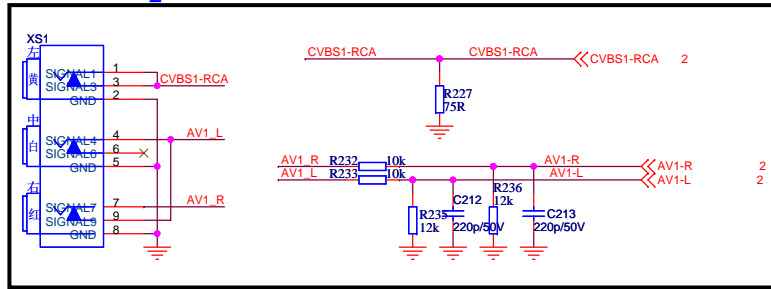
Title		MSD61981BTC	
Size	Document Number		
Customer	System Power		
Date:	Monday, November 07, 2011	Sheet	1 of 10
Rev	1.0		



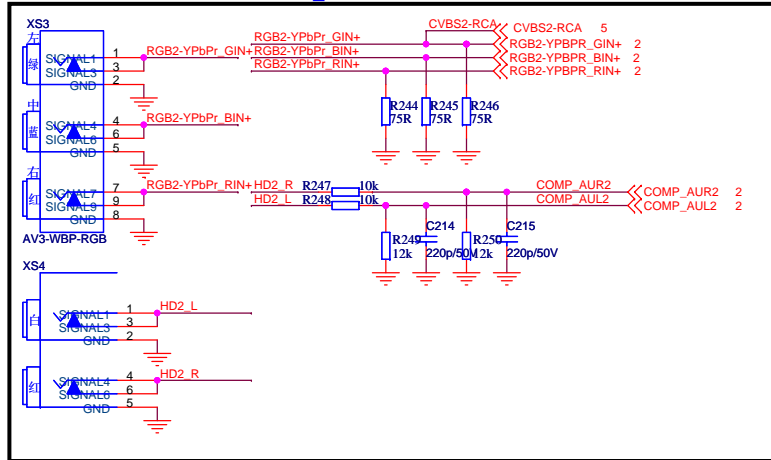
Power interface



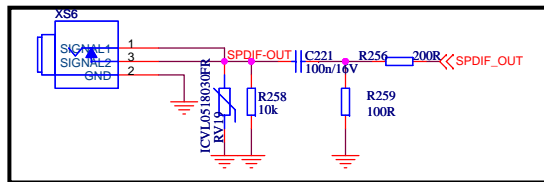
AV1 Input



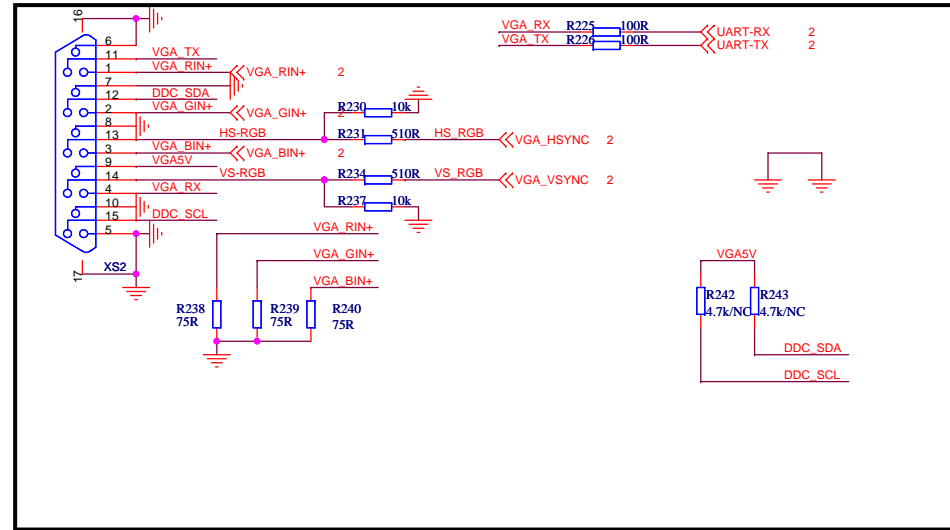
HDTV & AV2 Input



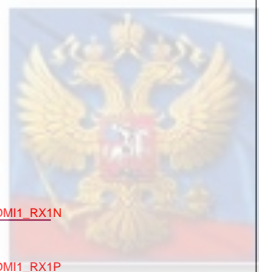
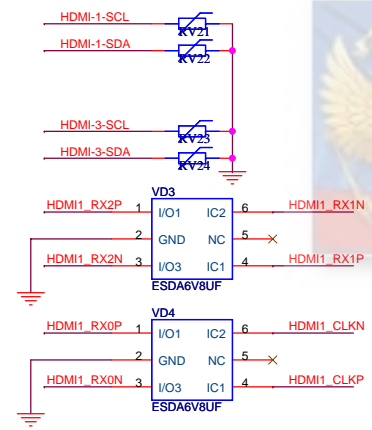
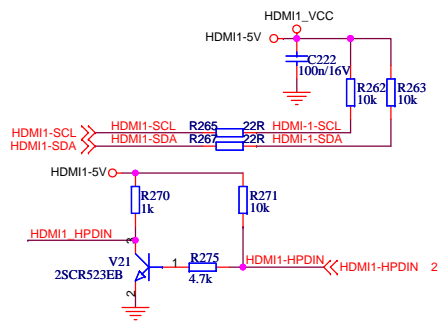
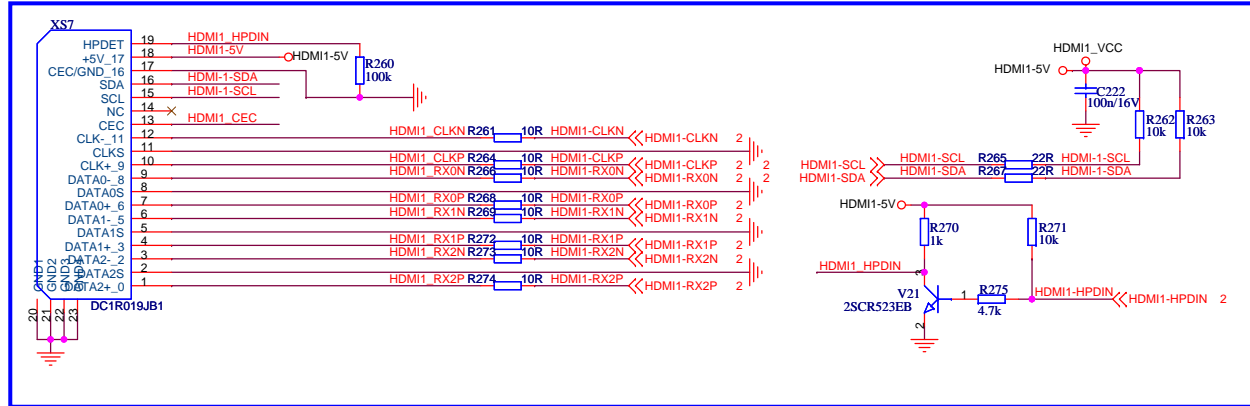
COAXIAL OUTPUT



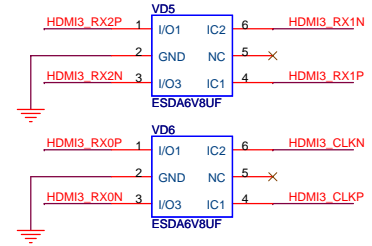
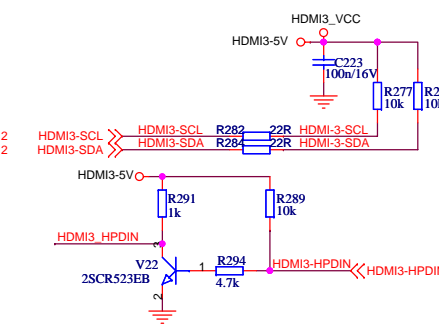
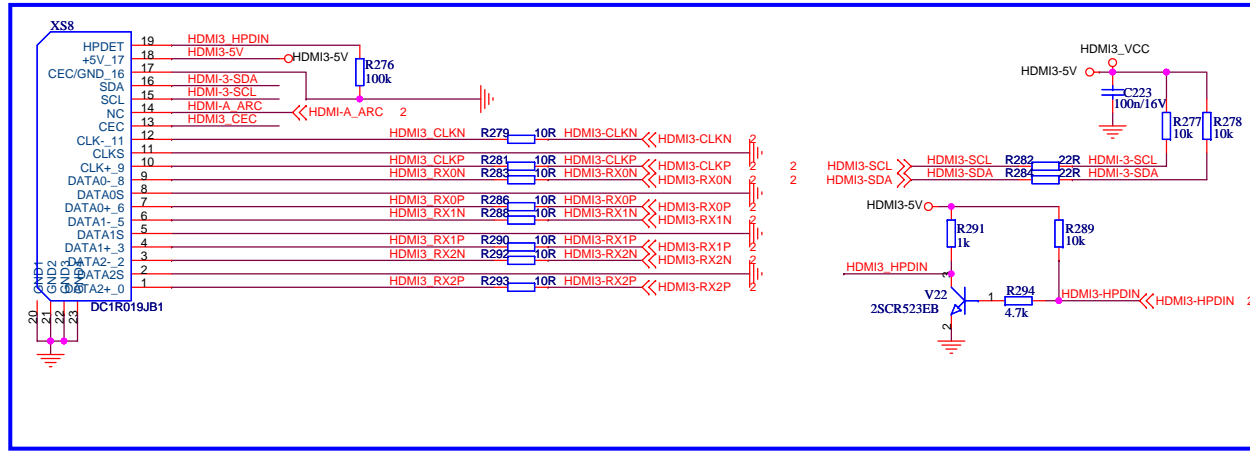
VGA



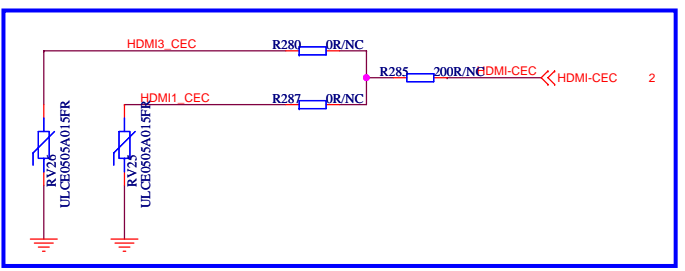
HDMI1



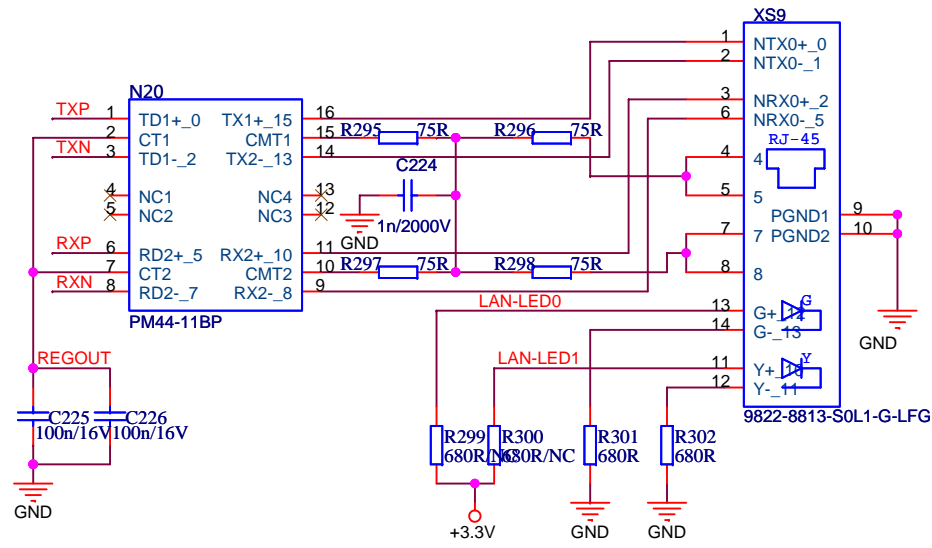
HDMI3



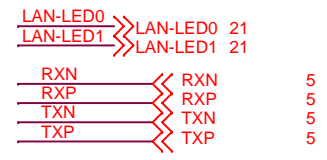
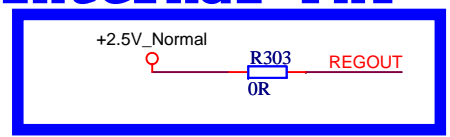
CEC



Title			MSD6i981BTC		
Size	Document Number		Rev		
A3	HDMI		1.0		
Date:	Thursday, September 15, 2011	Sheet	6	of	10

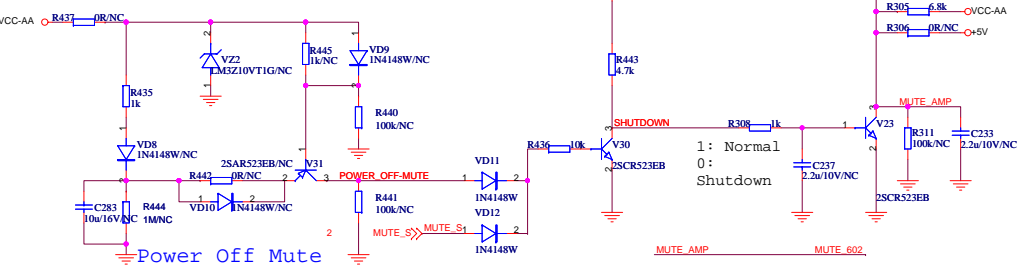


Internal PHY

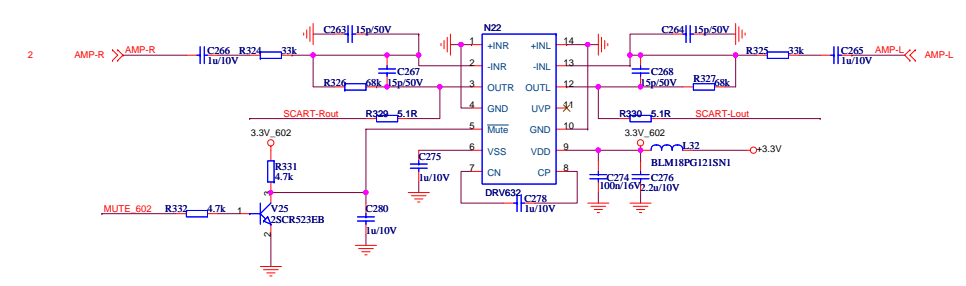


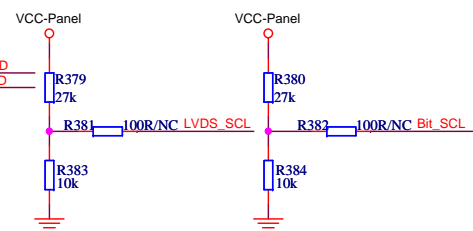
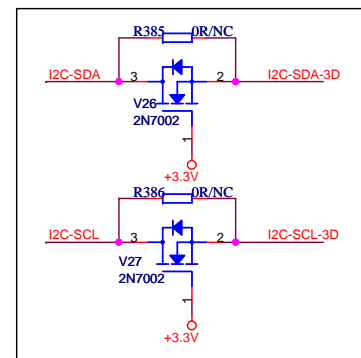
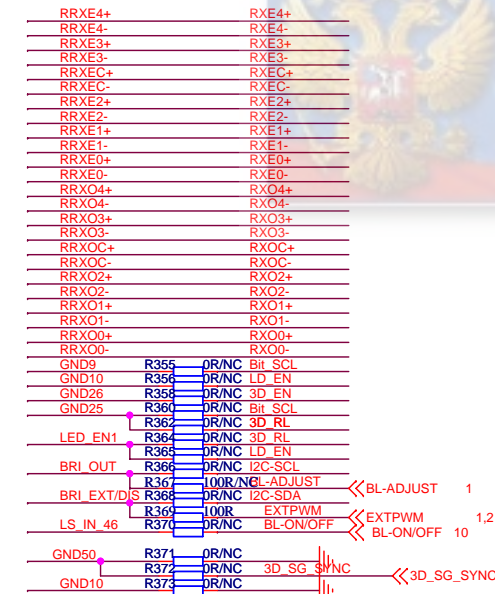
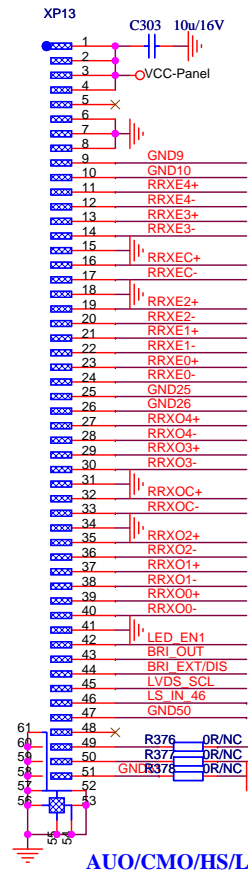
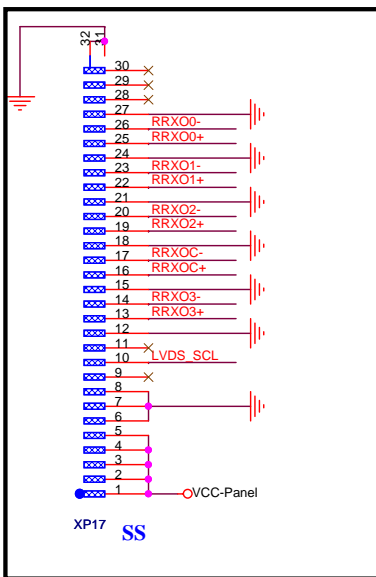
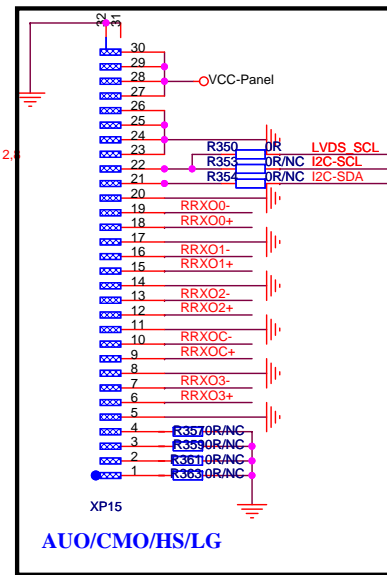
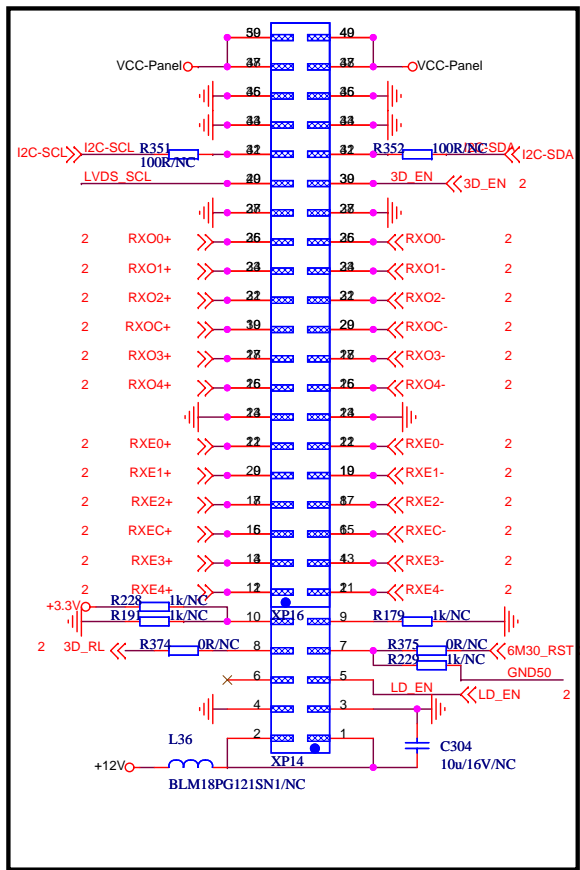
Title		
MSD6i981BTC		
Size	Document Number	Rev
A4	Ethernet	1.0
Date:	Saturday, September 17, 2011	Sheet 7 of 10

MUTE

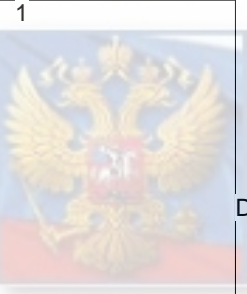


audio pre. AMP

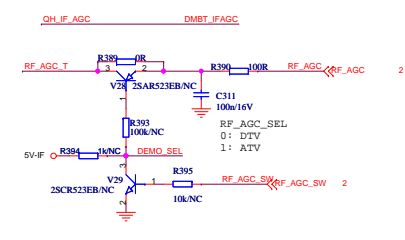
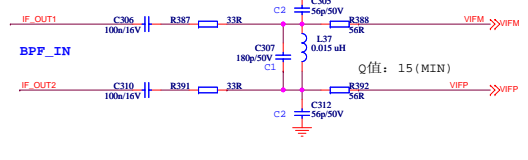
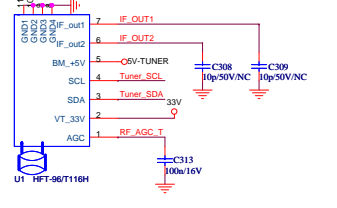




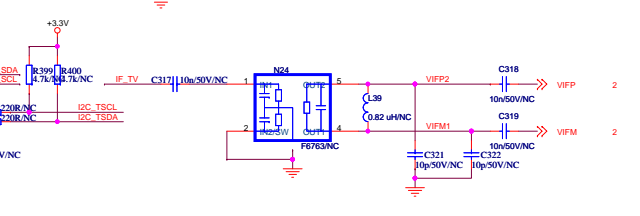
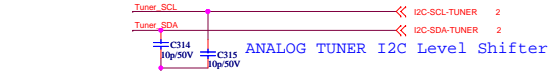
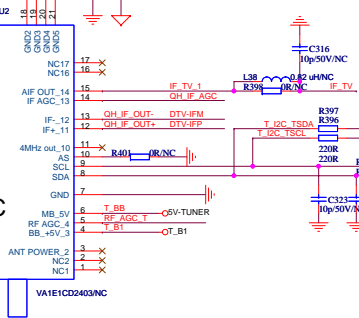
Title			MSD6i981BTC		
Size	Document Number				Rev
B	LVDS				1.0
Date:	Thursday, September 15, 2011	Sheet	9	of	10



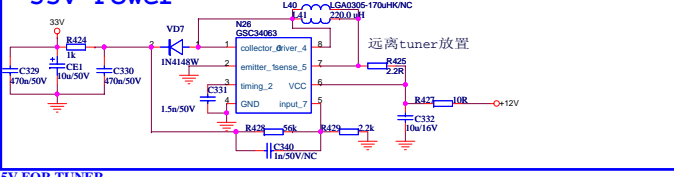
C1=180P, C2=56PF, FOR 38.9MHZ (PAL)
C1=120P, FOR 45.75MHZ (NTSC)
BPF FOR 38.9MHZ OR 38MHZ



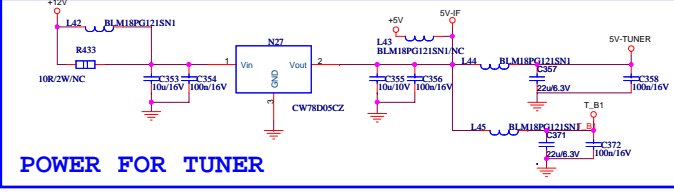
DMBS Tuner



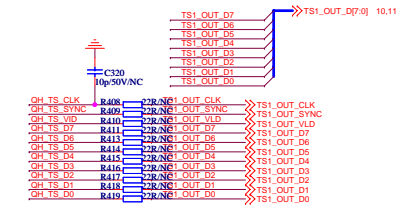
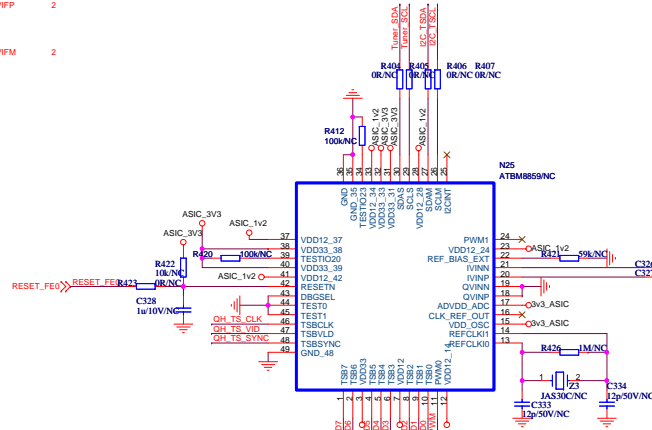
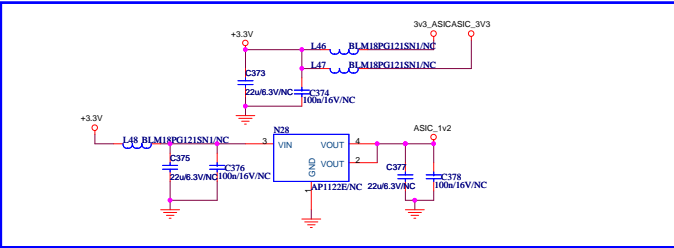
33V FOR TUNER



5V FOR TUNER



Demo. POWER



Title	MSD61981BTC	
Size	Document Number	Rev
A2	TV Interface	1.0
Date:	Monday, October 03, 2011	Sheet 10 of 10